

# Kit Instructions

## Bagrack Quick Disconnect Screws

7360-K021  
Issue A



---

The product described in this document is a licensed product of NCR Corporation.

NCR is a registered trademark of NCR Corporation. NCR FastLane SelfServ™ Checkout is a trademark of NCR Corporation in the United States and/or other countries. Other product names mentioned in this publication may be trademarks or registered trademarks of their respective companies and are hereby acknowledged.

The terms HDMI and HDMI High-Definition Multimedia Interface, and the HDMI Logo are trademarks or registered trademarks of HDMI Licensing LLC in the United States and other countries.

Where creation of derivative works, modifications or copies of this NCR copyrighted documentation is permitted under the terms and conditions of an agreement you have with NCR, NCR's copyright notice must be included.

It is the policy of NCR Corporation (NCR) to improve products as new technology, components, software, and firmware become available. NCR, therefore, reserves the right to change specifications without prior notice.

All features, functions, and operations described herein may not be marketed by NCR in all parts of the world. In some instances, photographs are of equipment prototypes. Therefore, before using this document, consult with your NCR representative or NCR office for information that is applicable and current.

To maintain the quality of our publications, we need your comments on the accuracy, clarity, organization, and value of this book. Please use the link below to send your comments.

*EMail:* [FD230036@ncr.com](mailto:FD230036@ncr.com)

Copyright © 2016  
By NCR Corporation  
Duluth, GA U.S.A.  
All Rights Reserved

## Revision Record

Issue	Date	Remarks
A	Sep 2016	First issue.
B	Jun 2017	Updated IP PDF template.

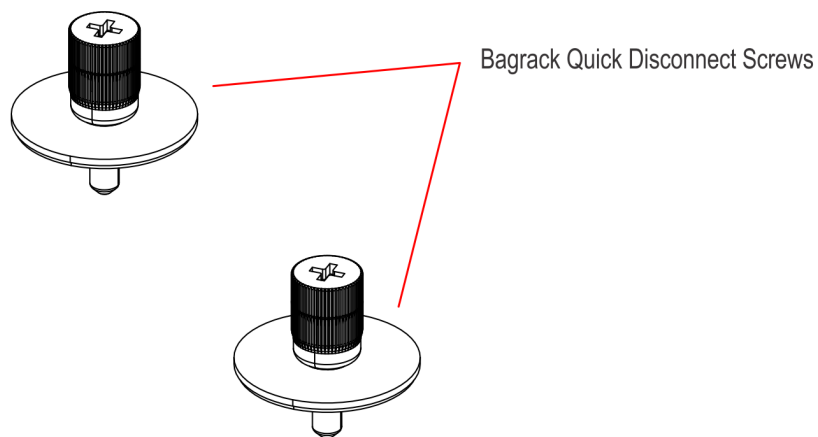
---

# Bagrack Quick Disconnect Screws

---

This kit contains Bagrack Quick Disconnect Screws for the NCR FastLane SelfServ™ Checkout 7360.

## Kit Contents



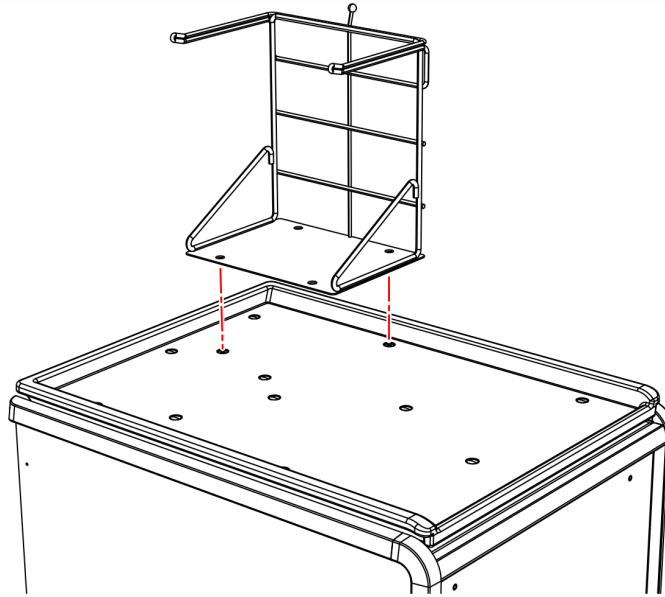
CCP-61665

## Installation Procedure

1. Clean the Bagwell Scale Tray with alcohol or non-residue cleaner to remove any dust or dirt.
2. Place the Bagrack over the desired Scale Tray mounting holes.

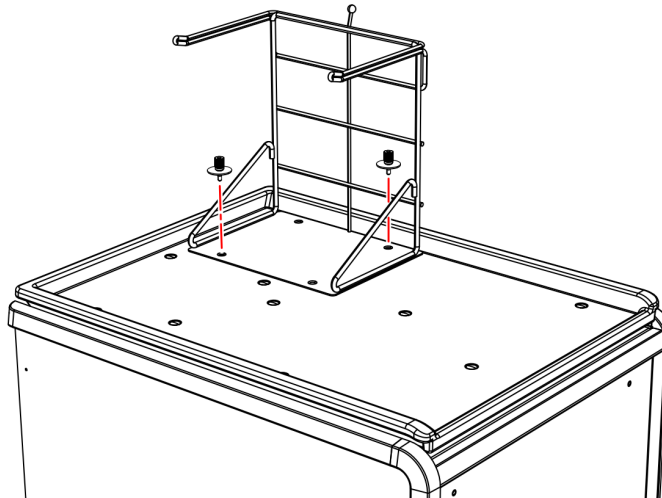


**Note:** If present, remove the hole plugs from the mounting holes.



CCP-61666

3. Remove the adhesive lining from the Quick Disconnect Screws.
4. Install the Quick Disconnect Screws through the Bagrack and into the Scale Tray.



CCP-61667