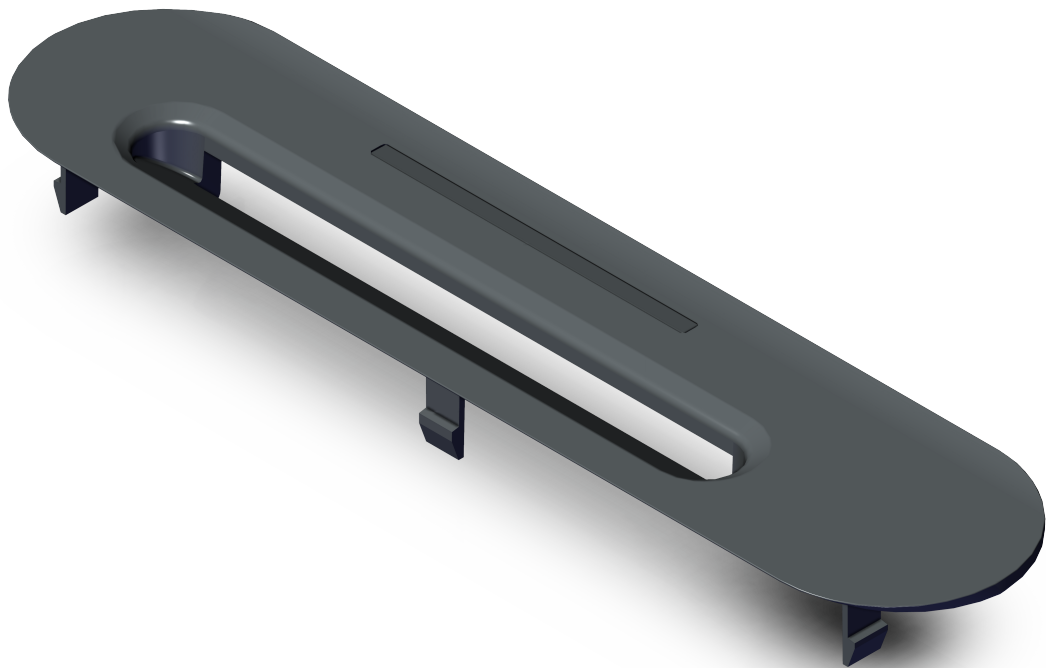


Kit Instructions

Coupon Option



7360-K011
Issue A



The product described in this document is a licensed product of NCR Corporation.

NCR is a registered trademark of NCR Corporation. NCR FastLane SelfServ™ Checkout is a trademark of NCR Corporation in the United States and/or other countries. Other product names mentioned in this publication may be trademarks or registered trademarks of their respective companies and are hereby acknowledged.

The terms HDMI and HDMI High-Definition Multimedia Interface, and the HDMI Logo are trademarks or registered trademarks of HDMI Licensing LLC in the United States and other countries.

Where creation of derivative works, modifications or copies of this NCR copyrighted documentation is permitted under the terms and conditions of an agreement you have with NCR, NCR's copyright notice must be included.

It is the policy of NCR Corporation (NCR) to improve products as new technology, components, software, and firmware become available. NCR, therefore, reserves the right to change specifications without prior notice.

All features, functions, and operations described herein may not be marketed by NCR in all parts of the world. In some instances, photographs are of equipment prototypes. Software screen images are representative, and in some cases, may not match a customer's installed software exactly. Therefore, before using this document, consult with your NCR representative or NCR office for information that is applicable and current.

Copyright © 2022
By NCR Corporation
864 Spring St. NW
Atlanta, GA 30308
United States
All Rights Reserved

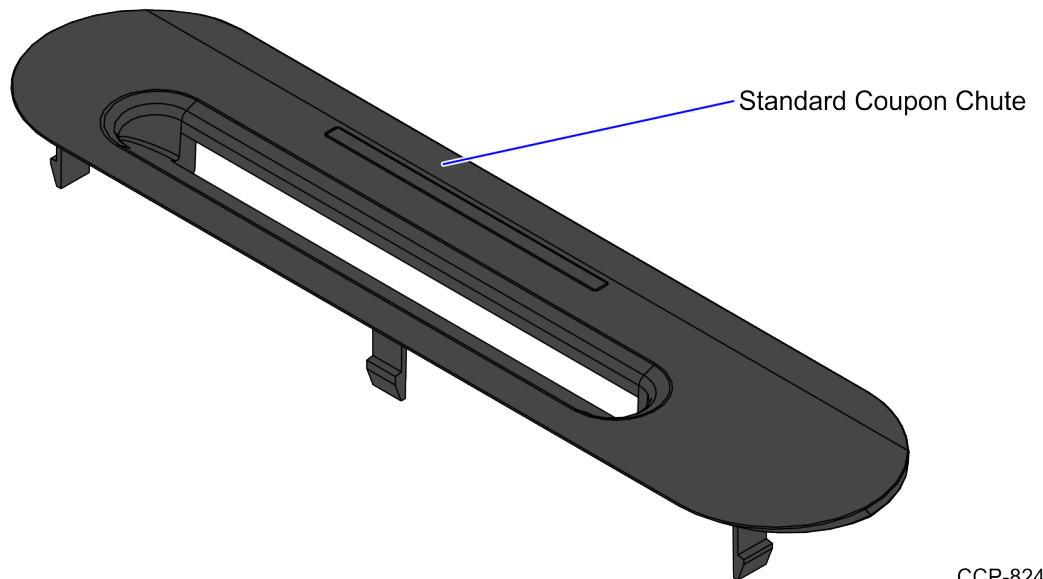
Revision Record

| Issue | Date | Remarks |
|-------|----------|-------------|
| A | Aug 2022 | First Issue |
| | | |
| | | |

Coupon Option

This publication provides procedures for installing a Standard Coupon Chute to the NCR FastLane SelfServ™ Checkout (7360).

Kit Contents



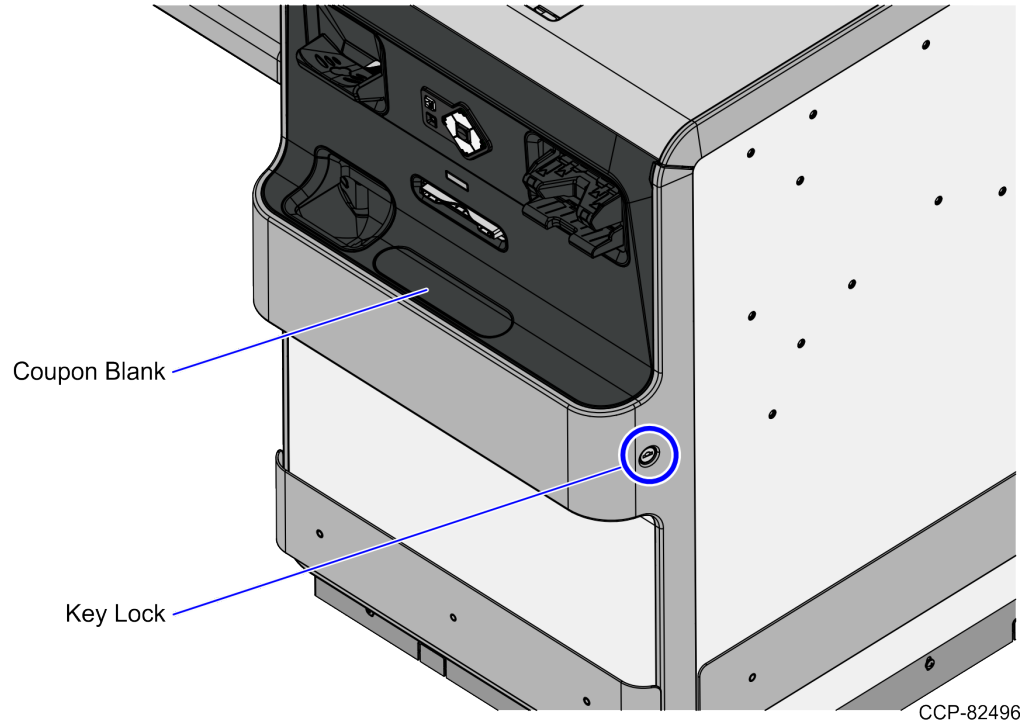
| Part Number | Description |
|---------------|---|
| 497-0533724 | Coupon Option Kit |
| 497-0506921 | Standard Coupon Chute |
| * 497-0524627 | Label - English Text (Coins/Notes/Coupon) |
| * 497-0423108 | Instructions Kit (Reference Sheet) |

* Items marked with an asterisk are not called out on the image.

Installation Procedure

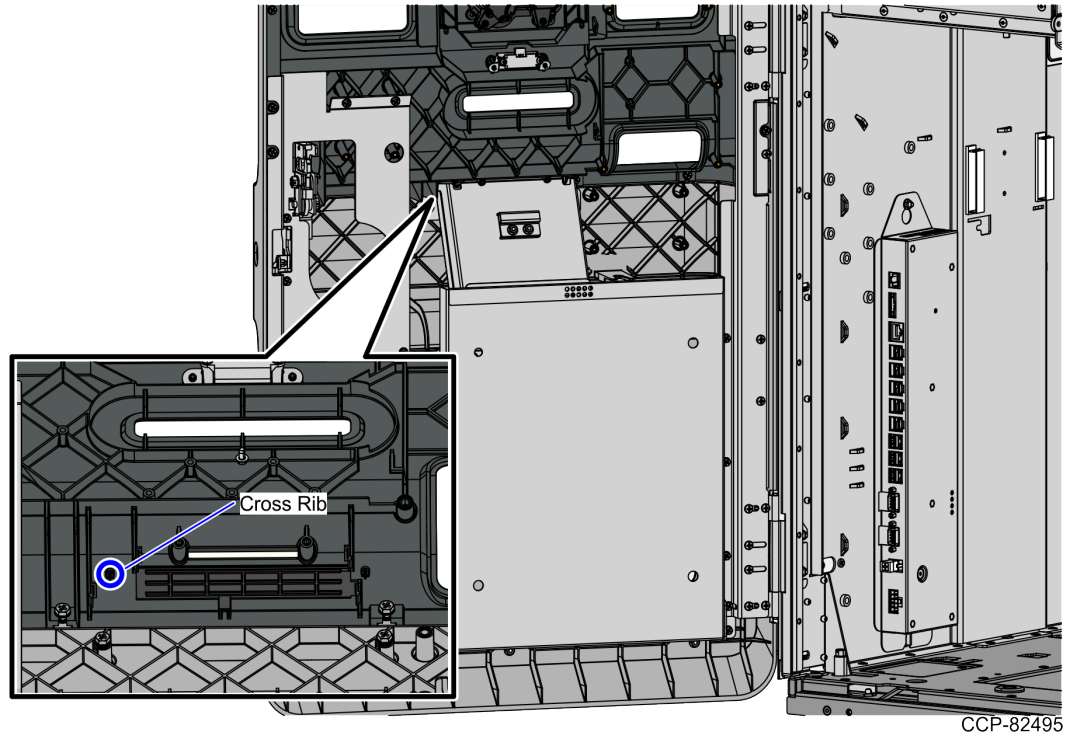
To install the Standard Coupon Chute, follow these steps:

1. Remove the Coupon Blank from the Coupon Chute slot. Do the following:
 - a. Use a key to unlock and open the Cosmetic Door.



CCP-82496

- b. From behind the Cosmetic Door, reach under the Coupon Chute slot and press the cross rib using a flat-head screwdriver to release the Coupon Blank.



- c. Pull out the Coupon Blank from the Coupon Chute slot.
2. Mount the Coupon Chute by snapping it on the Coupon Chute slot.

