

Kit Instructions

Secondary Display Mount

7360-K010
Issue A



The product described in this document is a licensed product of NCR Corporation.

NCR is a registered trademark of NCR Corporation. NCR FastLane SelfServ™ Checkout is a trademark of NCR Corporation in the United States and/or other countries. Other product names mentioned in this publication may be trademarks or registered trademarks of their respective companies and are hereby acknowledged.

The terms HDMI and HDMI High-Definition Multimedia Interface, and the HDMI Logo are trademarks or registered trademarks of HDMI Licensing LLC in the United States and other countries.

Where creation of derivative works, modifications or copies of this NCR copyrighted documentation is permitted under the terms and conditions of an agreement you have with NCR, NCR's copyright notice must be included.

It is the policy of NCR Corporation (NCR) to improve products as new technology, components, software, and firmware become available. NCR, therefore, reserves the right to change specifications without prior notice.

All features, functions, and operations described herein may not be marketed by NCR in all parts of the world. In some instances, photographs are of equipment prototypes. Therefore, before using this document, consult with your NCR representative or NCR office for information that is applicable and current.

To maintain the quality of our publications, we need your comments on the accuracy, clarity, organization, and value of this book. Please use the link below to send your comments.

EMail: FD230036@ncr.com

Copyright © 2016
By NCR Corporation
Duluth, GA U.S.A.
All Rights Reserved

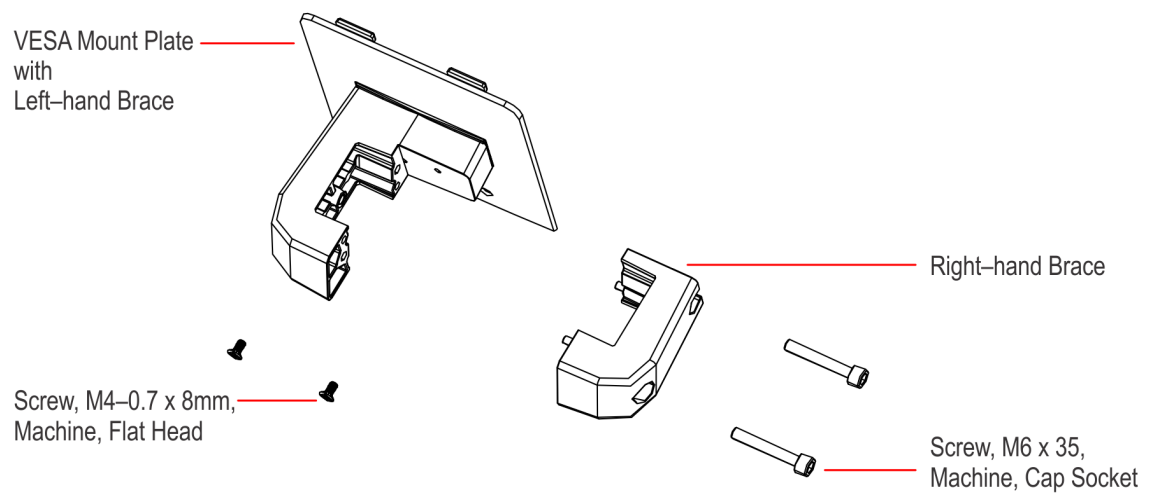
Revision Record

Issue	Date	Remarks
A	Sep 2016	First issue.
B	Jun 2017	Updated IP PDF template.

Secondary Display Mount

This kit contains the components to add a Secondary Display Mount to the NCR FastLane SelfServ™ Checkout 7360.

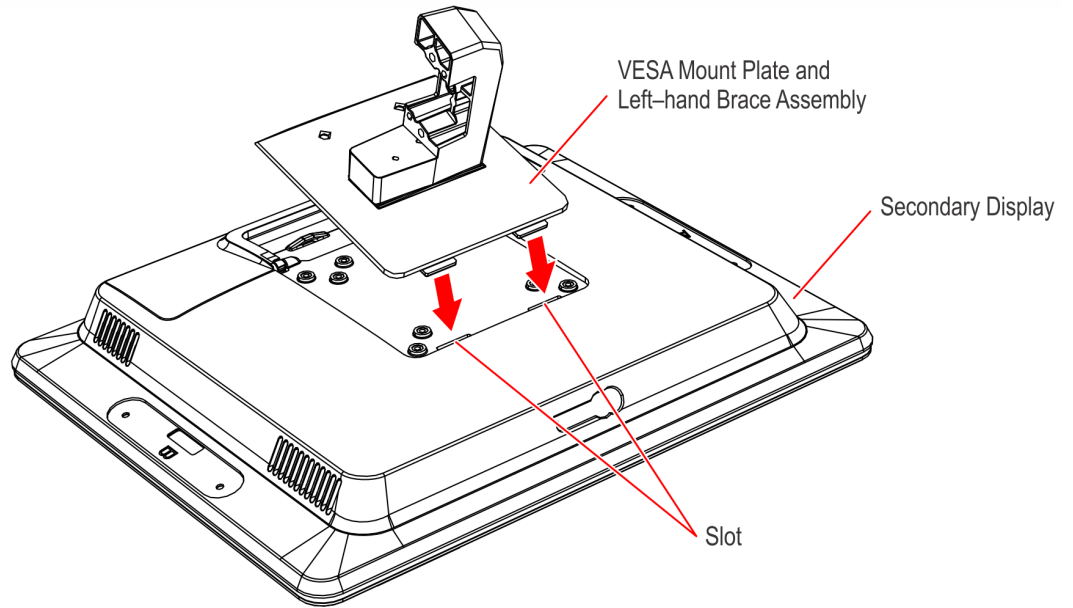
Kit Contents



CCP-61555

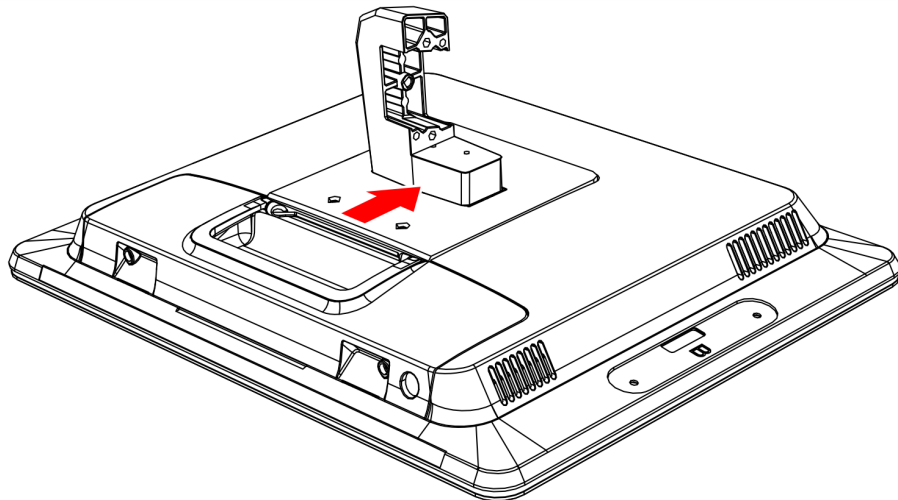
Installation Procedure

1. Install the VESA Mount Plate and Left-hand Brace Assembly to the Secondary Display.
 - a. Hook the VESA Mount Plate into the corresponding slots on the back of the Secondary Display.



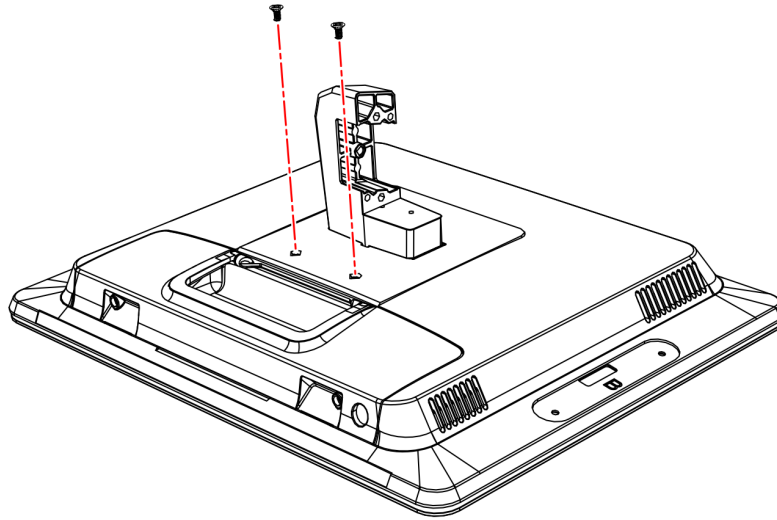
CCP-61556

- b. Slide the VESA Mount Plate and Left-hand Brace Assembly into place.



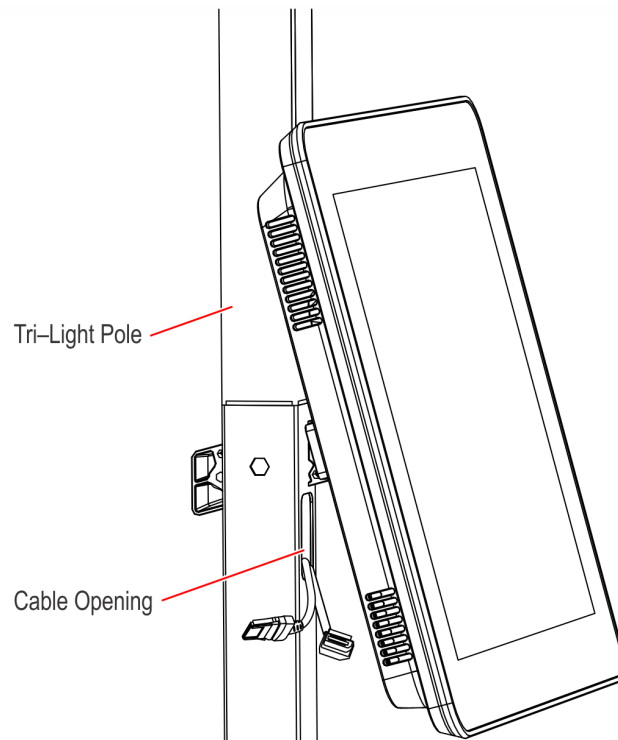
CCP-61557

- c. Secure the Plate and Brace Assembly to the Secondary Display using two screws.



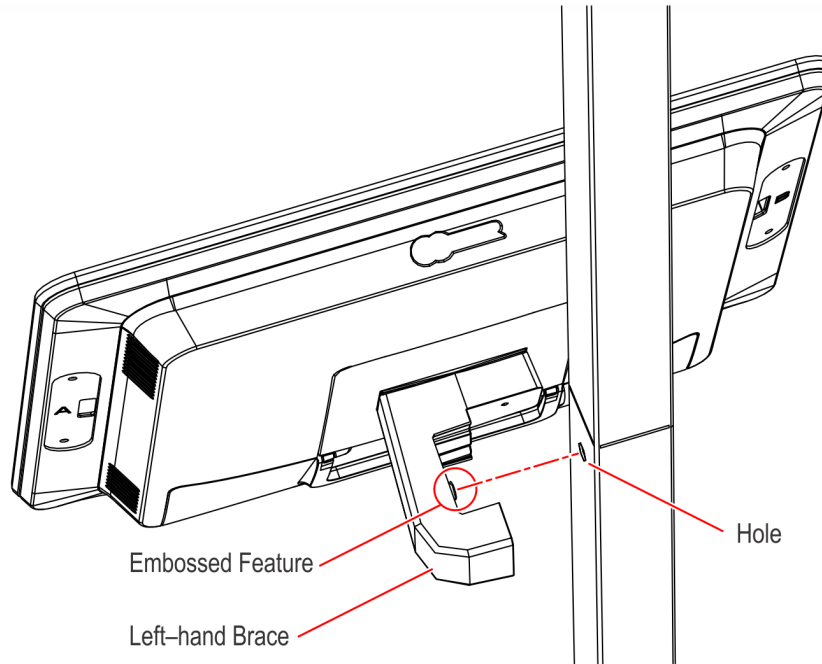
CCP-61558

- 2. Position the Secondary Display with Plate and Brace Assembly above the cable opening on the back of the Tri-Light Pole.



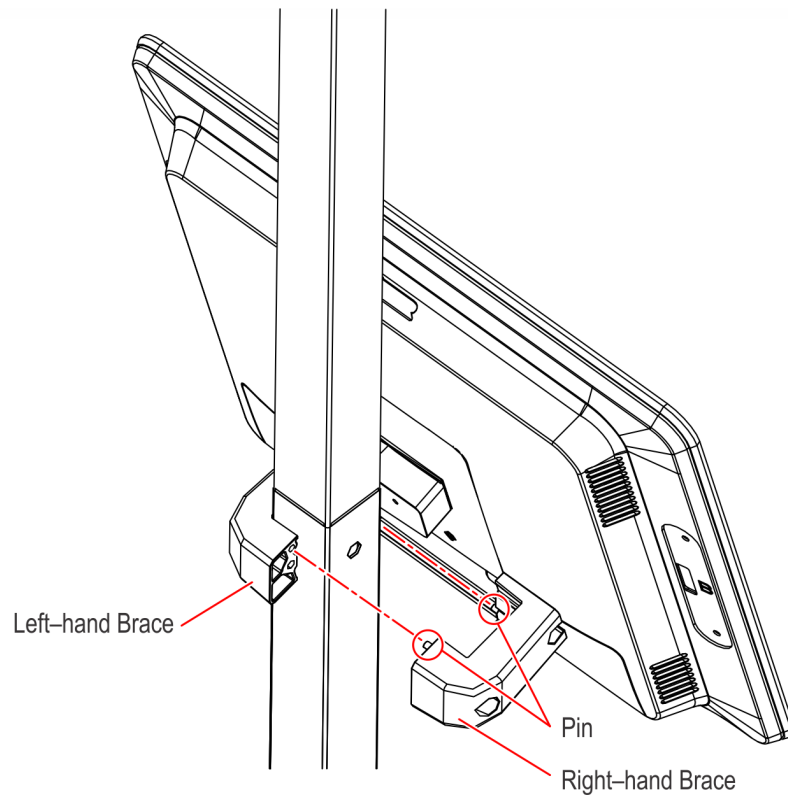
CCP-61559

3. Mount the Secondary Display on the Pole.
 - a. Align the embossed feature of the Left-hand Brace to the hole in the Pole.



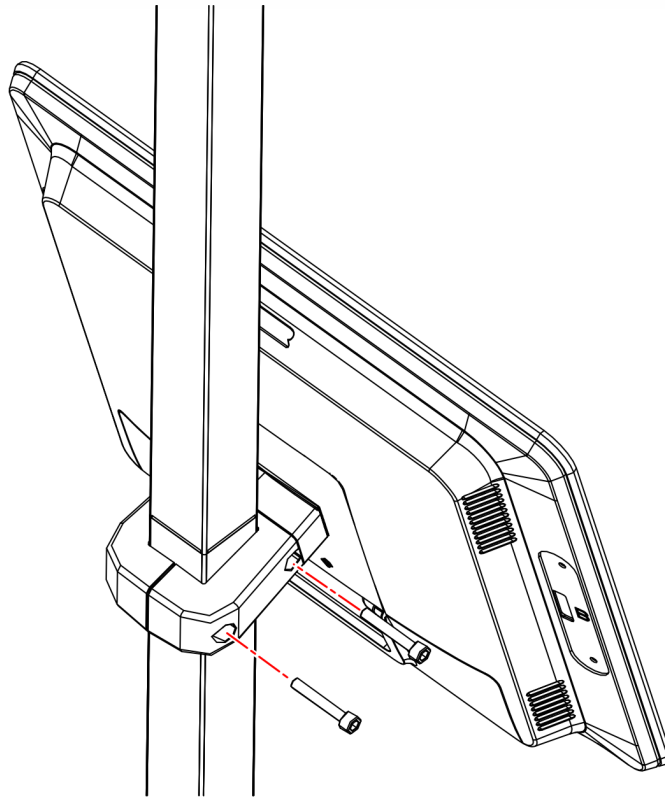
CCP-61560

- b. Align the pins of the Right-hand Brace with the holes on the Left-hand Brace.



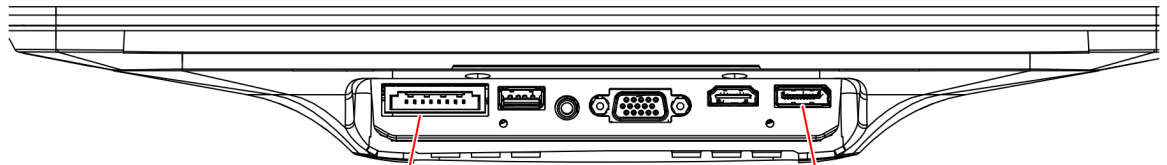
CCP-61562

- c. Secure the Braces using two screws.



CCP-61561

- 4. Connect the cables to the back of the Secondary Display.



12V USB +Power

Display Port

32867