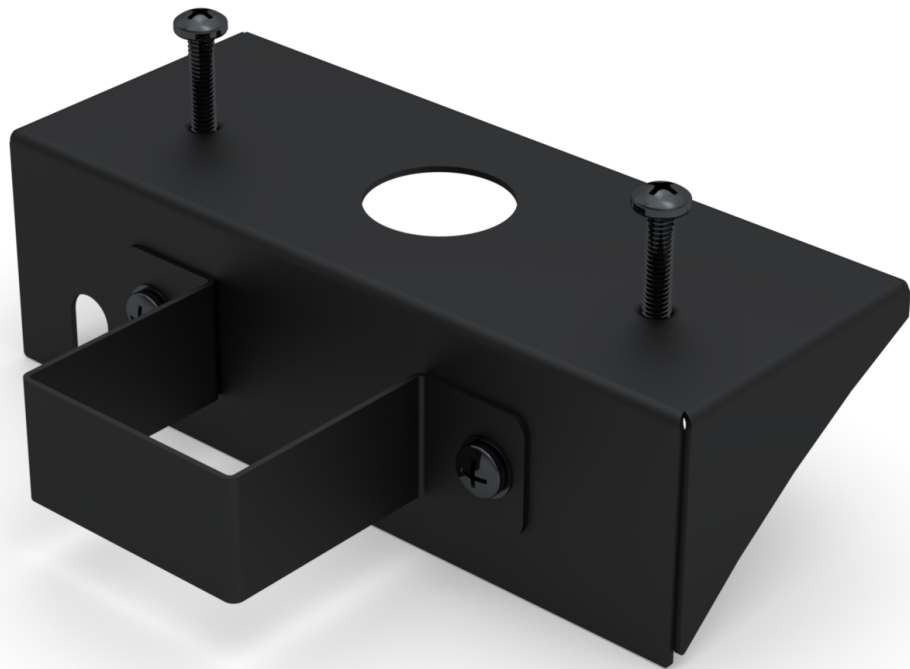


# Kit Instructions

Remote Scale Display Mount (NCR 7895  
Scanner/Scale)



7358-K912  
Issue A



The product described in this document is a licensed product of NCR Corporation.

NCR is a registered trademark of NCR Corporation. NCR FastLane SelfServ™ Checkout is a trademark of NCR Corporation in the United States and/or other countries. Other product names mentioned in this publication may be trademarks or registered trademarks of their respective companies and are hereby acknowledged.

The terms HDMI and HDMI High-Definition Multimedia Interface, and the HDMI Logo are trademarks or registered trademarks of HDMI Licensing LLC in the United States and other countries.

Where creation of derivative works, modifications or copies of this NCR copyrighted documentation is permitted under the terms and conditions of an agreement you have with NCR, NCR's copyright notice must be included.

It is the policy of NCR Corporation (NCR) to improve products as new technology, components, software, and firmware become available. NCR, therefore, reserves the right to change specifications without prior notice.

All features, functions, and operations described herein may not be marketed by NCR in all parts of the world. In some instances, photographs are of equipment prototypes. Therefore, before using this document, consult with your NCR representative or NCR office for information that is applicable and current.

To maintain the quality of our publications, we need your comments on the accuracy, clarity, organization, and value of this book. Please use the link below to send your comments.

Email: [FD230036@ncr.com](mailto:FD230036@ncr.com)

Copyright © 2021  
By NCR Corporation  
Global Headquarters  
864 Spring St. NW  
Atlanta, GA 30308  
United States  
All Rights Reserved

---

## Revision Record

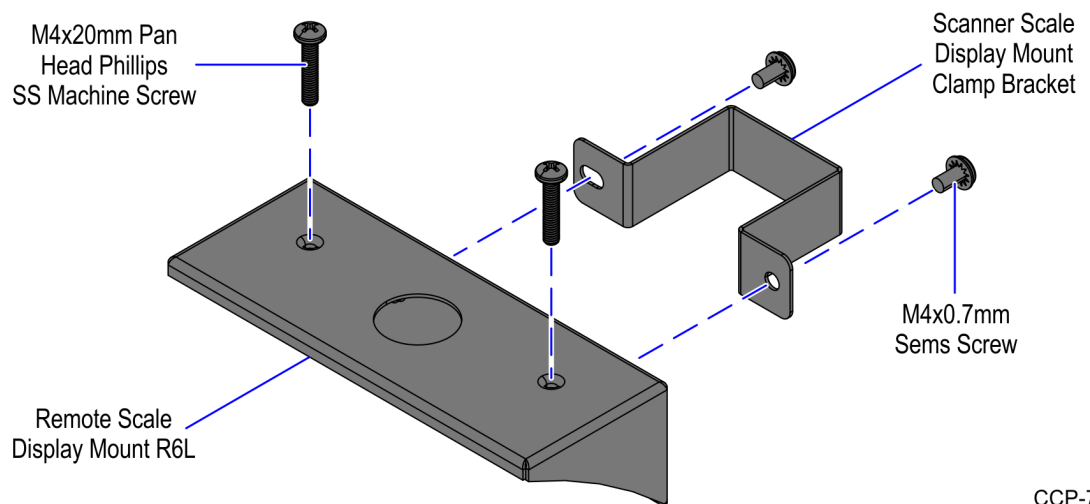
Issue	Date	Remarks
A	July 2021	First Issue



# Remote Scale Display Mount (NCR 7895 Scanner/Scale)

This publication provides procedure for installing a Remote Scale Display Mount (NCR 7895 Scanner/Scale) to the NCR FastLane SelfServ™ Checkout (7358) R6L Plus.

## Kit Contents



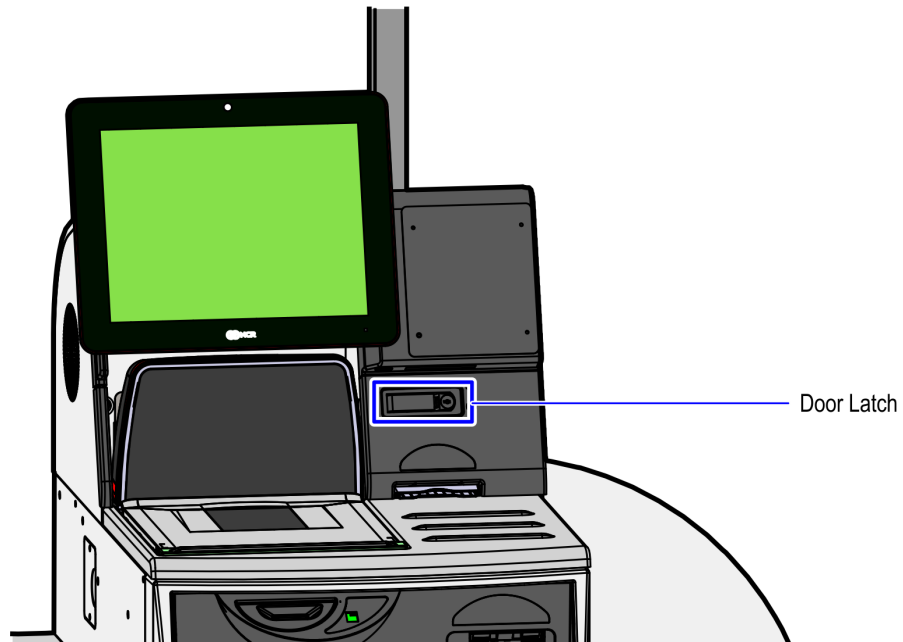
CCP-79743

Part Number	Description
497-0529317	SSCO R6L+ (7895 Scanner) Remote Scale Display Mount Kit
497-0529318	SCCO R6L+ Remote Scale Display Mount Bracket
497-0465907	Scanner Scale Display Mount Clamp Bracket
006-8611434	M4x0.7mm Sems Screw (2 pcs)
006-8622923	M4x20mm Pan Head Phillips SS Machine Screw (2 pcs)

# Installation Procedure

To install the Remote Scale Display Mount (NCR 7895 Scanner/Scale), follow these steps:

1. Shut down the NCR Fastlane Self-Checkout software and hardware systems.
2. Open the Tower Cabinet. Do the following:
  - a. Insert the key into the door latch lock and turn key counterclockwise.

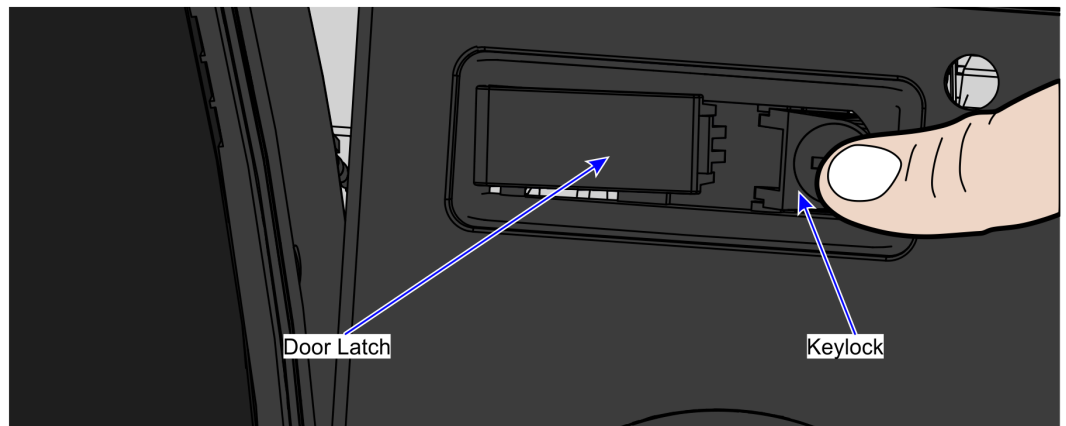


CCP-74762

- b. Remove the key and then press the keylock to unlatch the door.



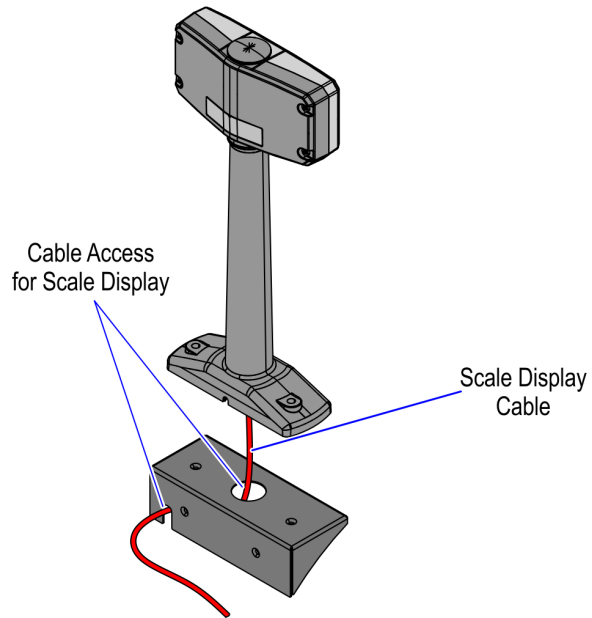
**Caution:** Ensure that the door is pushed down while lock is pressed because the door will automatically open.



CCP-72718

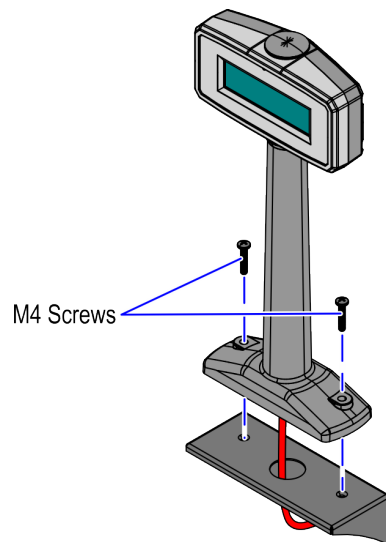
- c. Raise the Tower Cabinet door.

3. Insert the Remote Scale Display Cable through the cable access hole of the Remote Scale Display Mount, as seen in the image below.



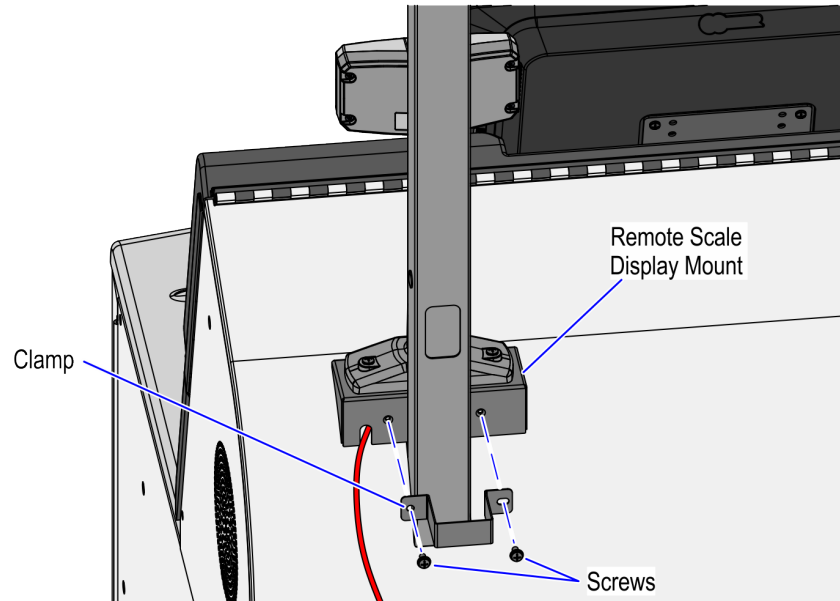
CCP-79752

4. Secure the Remote Scale Display to the Mount using two (2) M4 screws.



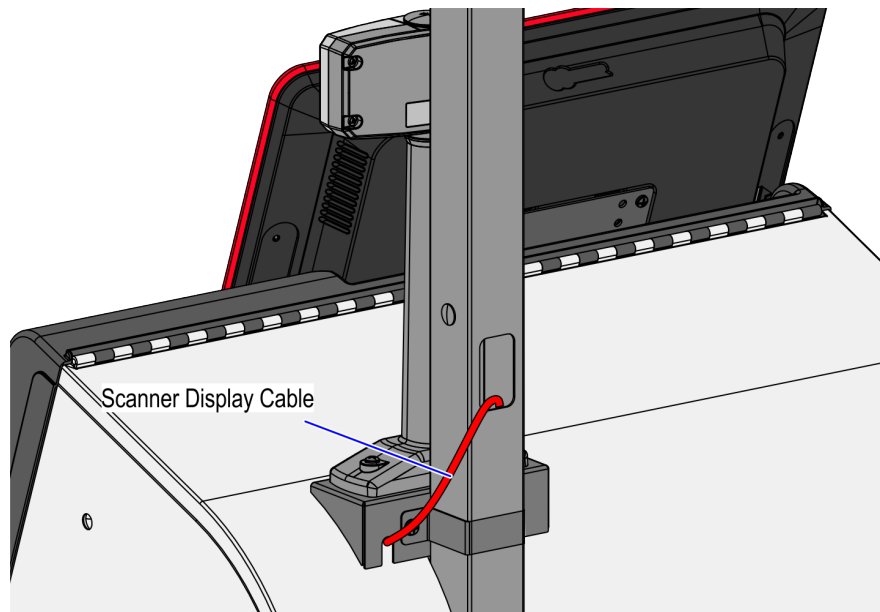
CCP-79753

5. Place the Remote Scale Display with the Mount on top of the Core Hood and secure it with the corresponding Clamp using two (2) screws, as shown in the image below.



CCP-79754

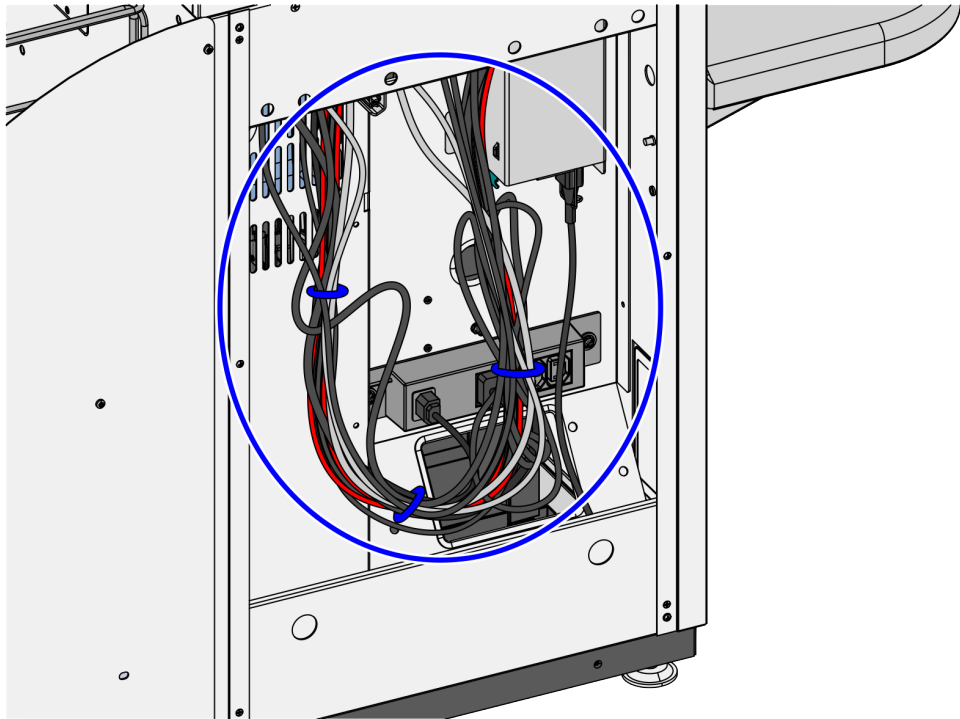
6. Insert the Remote Scale Display Cable into the Tri-Light Pole cable access hole and out into the Scanner Bucket.



CCP-79755



7. Route excess length of cables at the back.

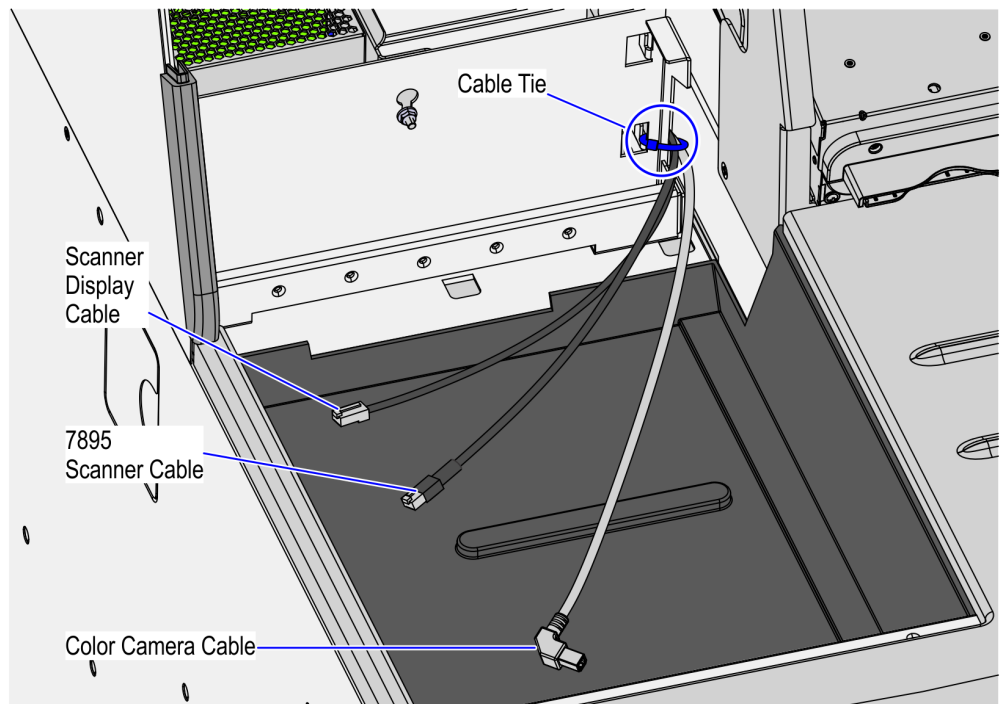


CCP-79767

8. Secure the Remote Scale Display Cable with the 7895 Scanner/Scale Cable and the Color Camera Cable together on the bracket using a cable tie, as shown in the image below.

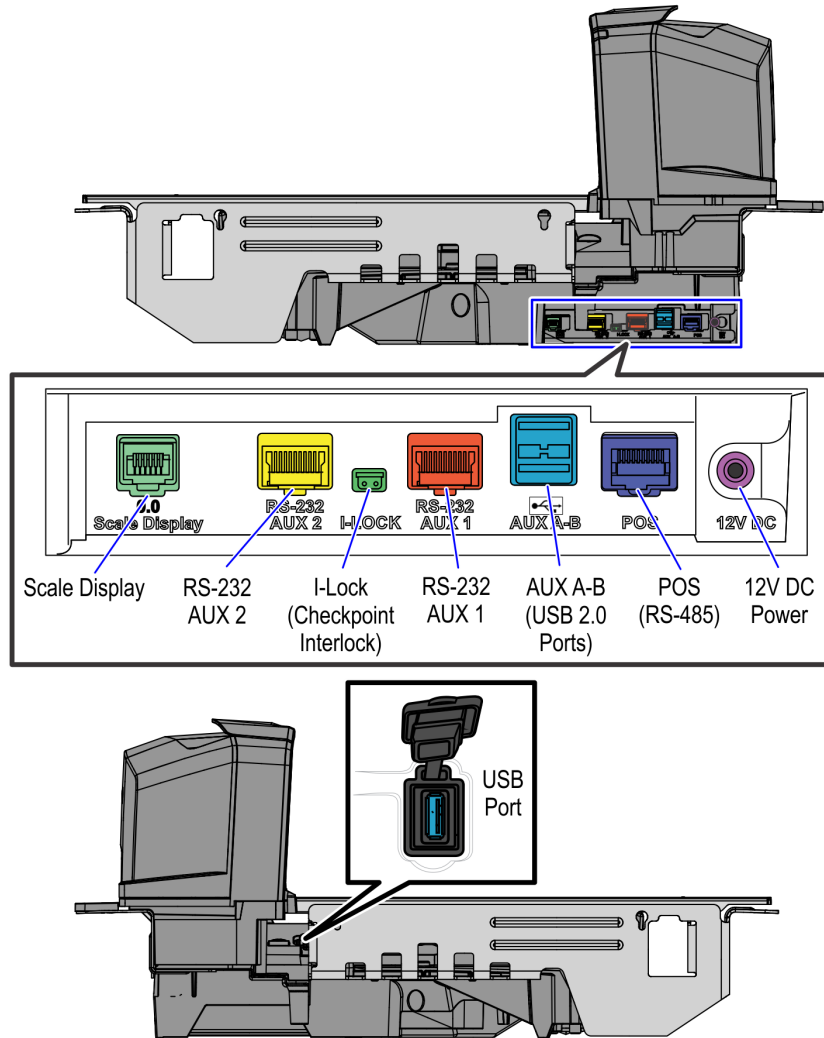


**Note:** Ensure that there is enough cable slack to avoid cables from being stretched during installation or removal procedures.

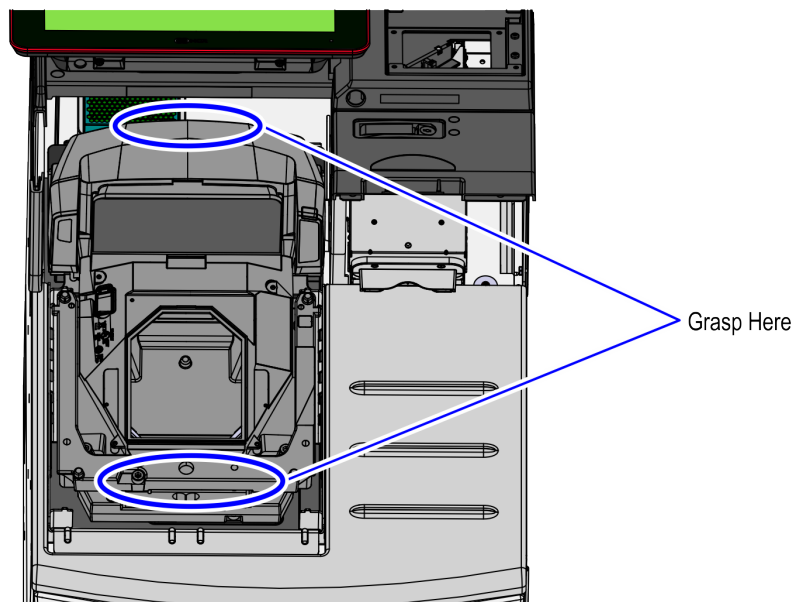


CCP-79768

- 9. Install the NCR 7895 Scanner/Scale by doing the following:
  - a. Connect all the cables to the NCR 7895 Scanner/Scale.

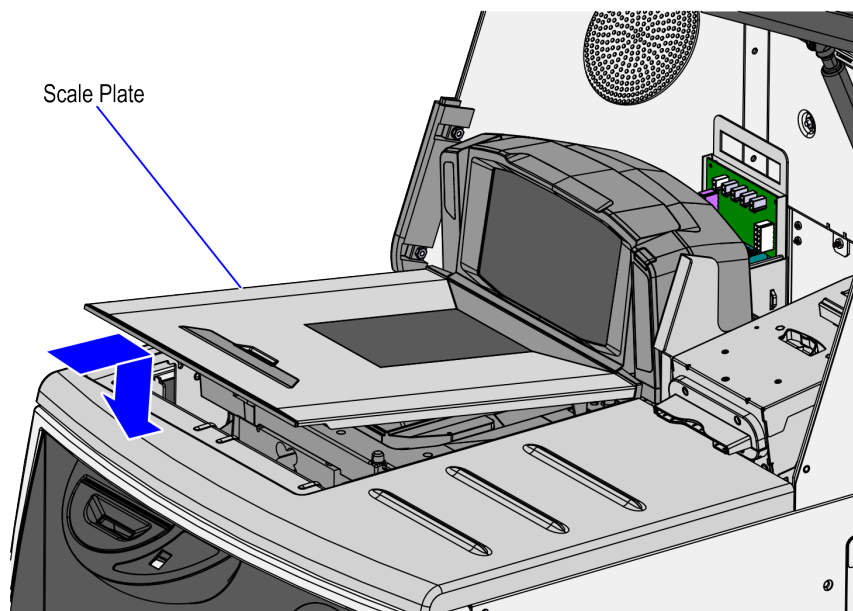


- b. Place the Scanner/Scale into the Scanner bucket.



CCP-79773

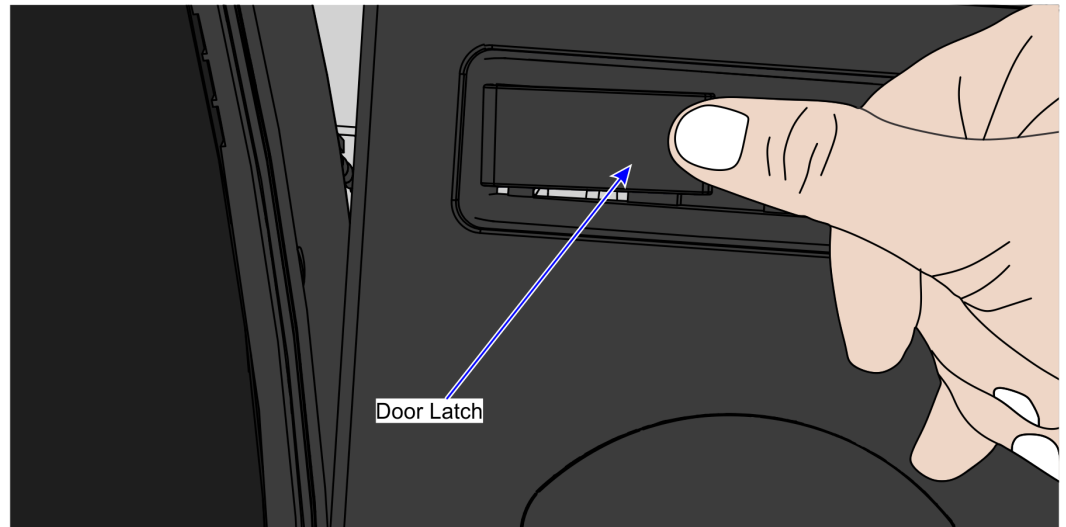
- c. Lower the Scale Plate.



CCP-79778

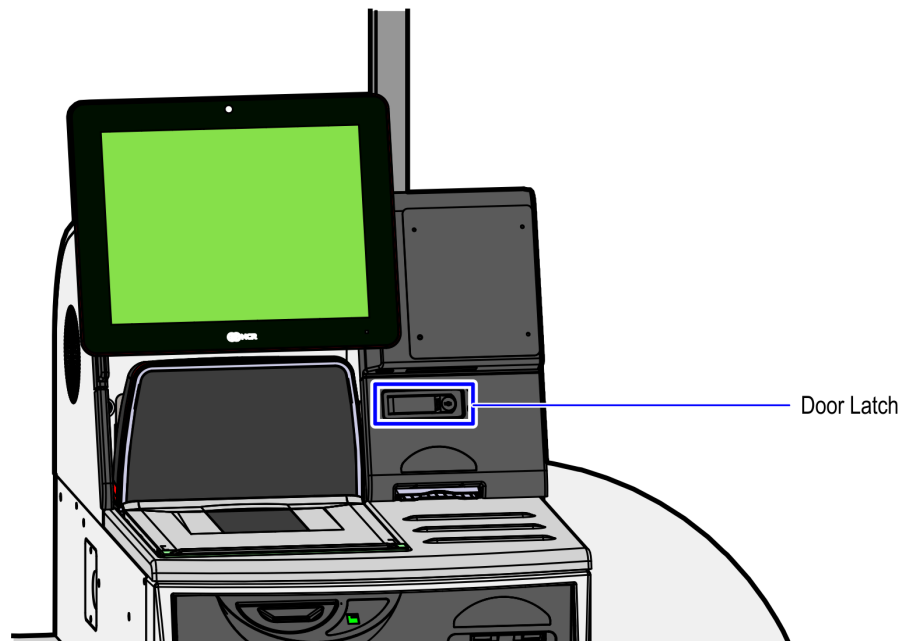
10. Close the Tower Cabinet by doing the following:

- a. Push down the door and then push the door latch until it closes. The Tower Cabinet is closed.



CCP-72719

- b. Insert key in the door latch lock and then turn it clockwise to lock the door.



CCP-74762

- c. Remove keys.
11. Ensure that the devices are working properly by powering up the NCR FastLane SelfServ™ Checkout (7358) R6L Plus software and hardware systems.