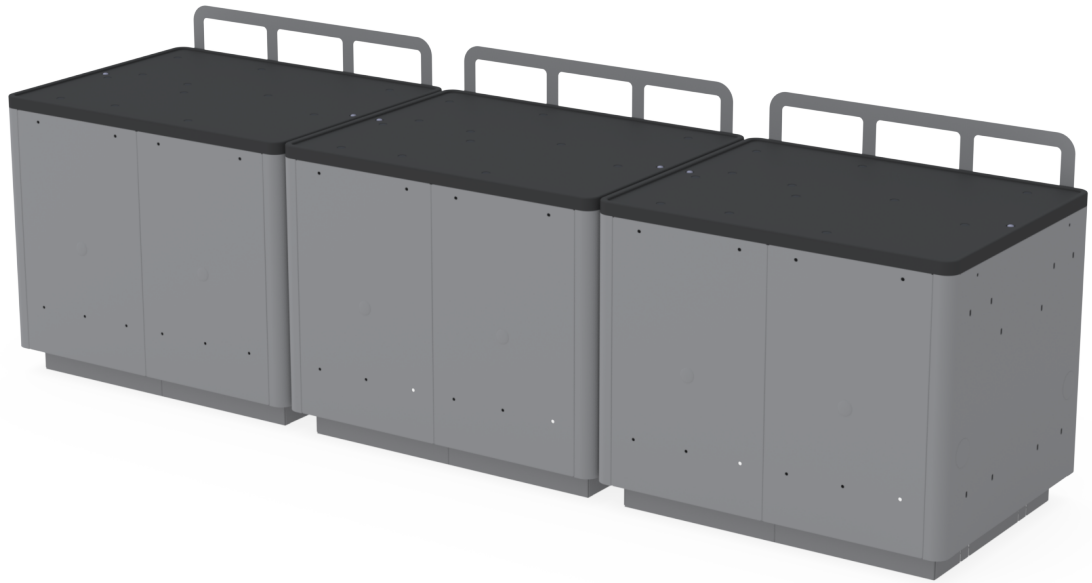


# Kit Instructions

3-Pack 2-Bag Bagwell Module (Medium Gray)



7358-K732  
Issue A



The product described in this document is a licensed product of NCR Corporation.

NCR is a registered trademark of NCR Corporation. NCR FastLane SelfServ™ Checkout is a trademark of NCR Corporation in the United States and/or other countries. Other product names mentioned in this publication may be trademarks or registered trademarks of their respective companies and are hereby acknowledged.

The terms HDMI and HDMI High-Definition Multimedia Interface, and the HDMI Logo are trademarks or registered trademarks of HDMI Licensing LLC in the United States and other countries.

Where creation of derivative works, modifications or copies of this NCR copyrighted documentation is permitted under the terms and conditions of an agreement you have with NCR, NCR's copyright notice must be included.

It is the policy of NCR Corporation (NCR) to improve products as new technology, components, software, and firmware become available. NCR, therefore, reserves the right to change specifications without prior notice.

All features, functions, and operations described herein may not be marketed by NCR in all parts of the world. In some instances, photographs are of equipment prototypes. Therefore, before using this document, consult with your NCR representative or NCR office for information that is applicable and current.

Copyright © 2022  
By NCR Corporation  
Global Headquarters  
864 Spring St. NW  
Atlanta, GA 30308  
United States  
All Rights Reserved

---

## Revision Record

Issue	Date	Remarks
A	Sep 2021	First Issue



---

# 3-Pack 2-Bag Bagwell Module (Medium Gray)

---

The 7358-K732 3-Pack 2-Bag Bagwell Module (Medium Gray) is designed using modules that are ready to be assembled at the site. It can be used as three (3) single Bagwells or as an in-line group of three (3) Bagwells. This publication provides the steps for installing the kit as an in-line group of three (3) Bagwells to a SelfServ Checkout unit.

The NCR FastLane SelfServ™ Checkout with a Bagging Area (Bagwell) Module or Large Basket (Large Basket) Module can be configured for either Left-hand (LH) orientation or Right-hand (RH) orientation, which refers to the direction customers scan and bag items.

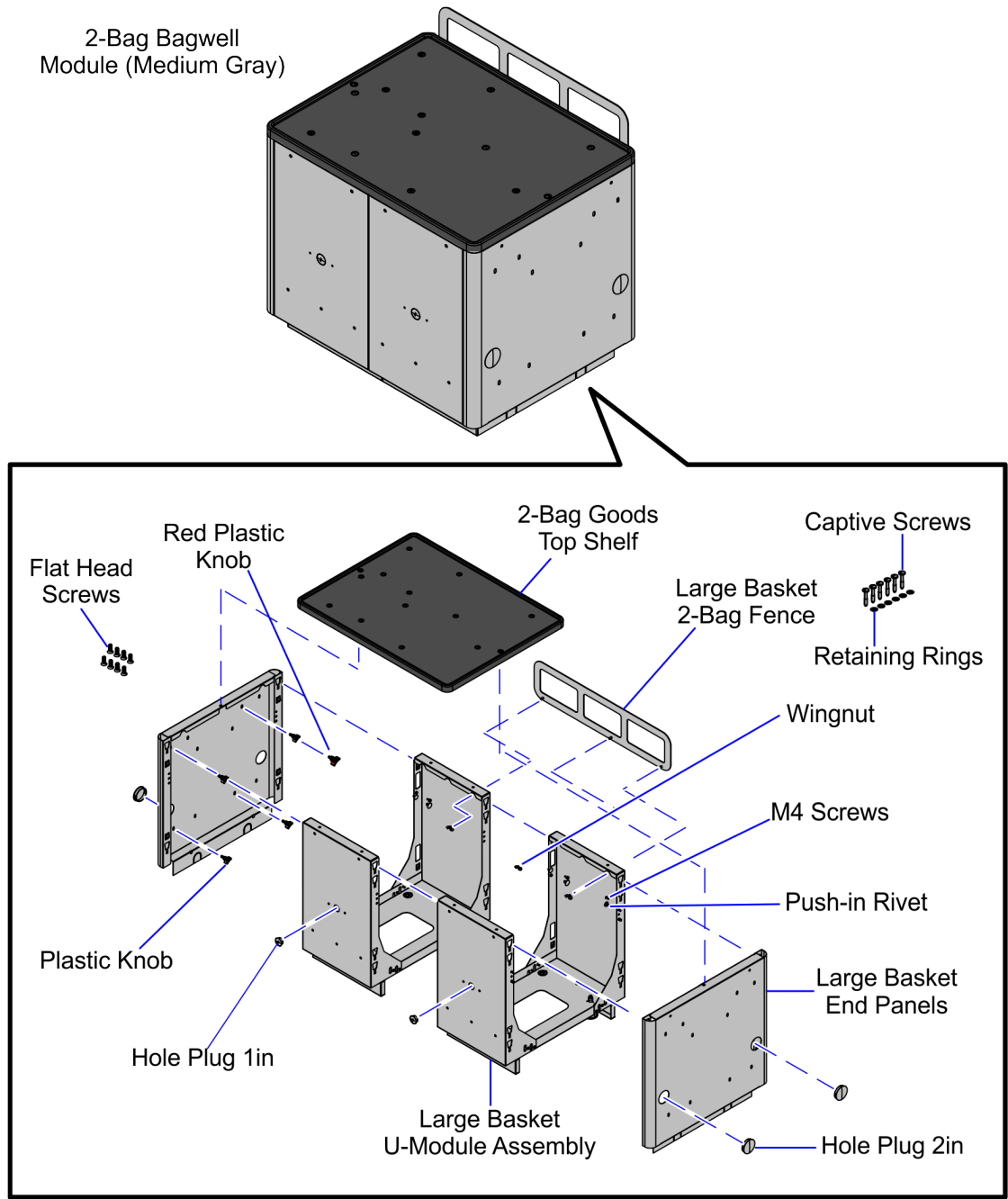
- **Left-hand (LH) orientation**—Customers scan from left to right.
- **Right-hand (RH) orientation**—Customers scan from right to left.




**Note:** The orientation of the unit is determined by the position of the Lower Core (Cabinet) Module in relation to the Bagwell or Large Basket.

**Example:** The Left-hand (LH) unit has the Cabinet positioned on the left side of the Bagwell or Large Basket.

# Kit Contents



CCP-80565

	Part Number	Description
	497-0531353	2-Bag Module Kit (WM Medium Gray) - 3 Pack
	006-8627877	Push In Rivet, 0.25", Black (25 pcs)

	Part Number	Description
	006-8627878	Wingnut, 1/4-20, Zinc-Plated Steel (23 pcs)
	006-8627935	Screw, Flat Head, M6 X 16mm L, Steel (12 pcs)
	006-8628097	Plastic Knob, 1/4-20 X 5/8" Steel Stud (12 pcs)
	006-8628098	Plastic Knob, Red, M6X1mm X 15mm, Steel Stud (12 pcs)
	497-0457054	Black Nylon Spacer 15Mm Od X 10.4Mm Id X 10Mm L (6 pcs)
	497-0528530	Large Basket Bumper (3 pcs)
	497-0528562	Large Basket, 2-Bag Fence (3 pcs)
	497-0528631	Goods Shelf, 2-Bag, Top (3 pcs)
	497-0530123	M6 Captive Screw (6 pcs)
	006-8627933	M6 Push Nut (6 pcs)
	497-0530517	Hole Plug, 1.000", WM Medium Gray (6 pcs)
	497-0530518	Hole Plug, 2.000", WM Medium Gray (9 pcs)
	795-0287628	Hole Cover Label For LBSCO (WM Medium Gray) (3 pcs)
	795-0287828	Large Basket U-Module Assembly (WM Medium Gray) (6 pcs)
	795-0291828	Large Basket End Panel (WM Medium Gray) (6 pcs)
*	497-0423108	Instructions Kit (Reference Sheet)

\* Items marked with an asterisk are not called out on the image.

# Shipping Dimension and Weight

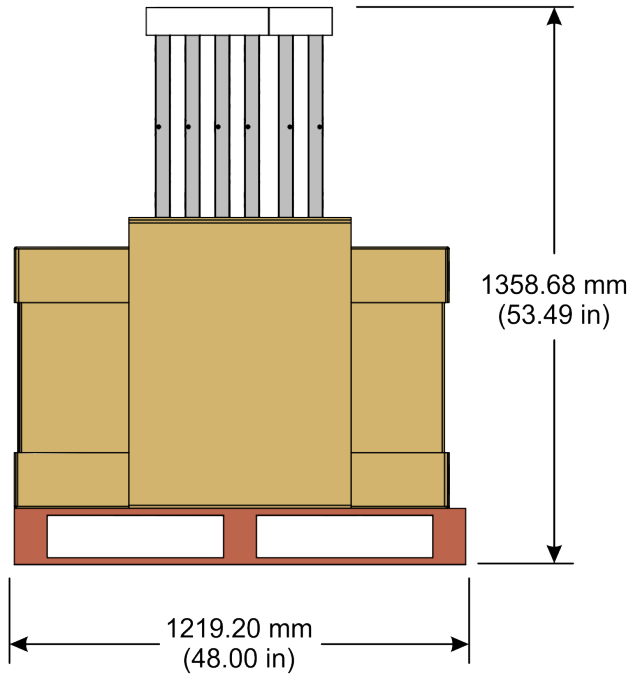
This section shows the approximate shipping dimension and weight of the 7358-K732 3-Pack 2-Bag Bagwell Module (Medium Gray).



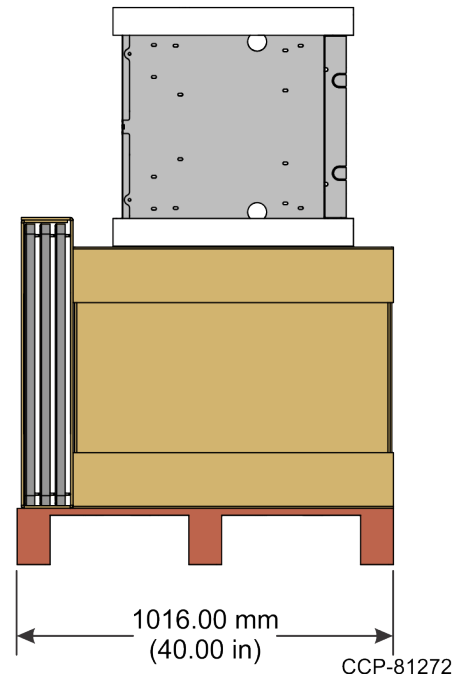
**Note:** These values are for reference only.

Shipping Dimension			Shipping Weight	
Height	Length	Width	Pounds (lbs)	Kilograms (kgs)
1358.68mm (53.49 in)	1016.20 mm (40.0 in)	1219.20 mm (48.0 in)	270.0 lbs	122.47 kgs

**Side View**



**Front View**



CCP-81272



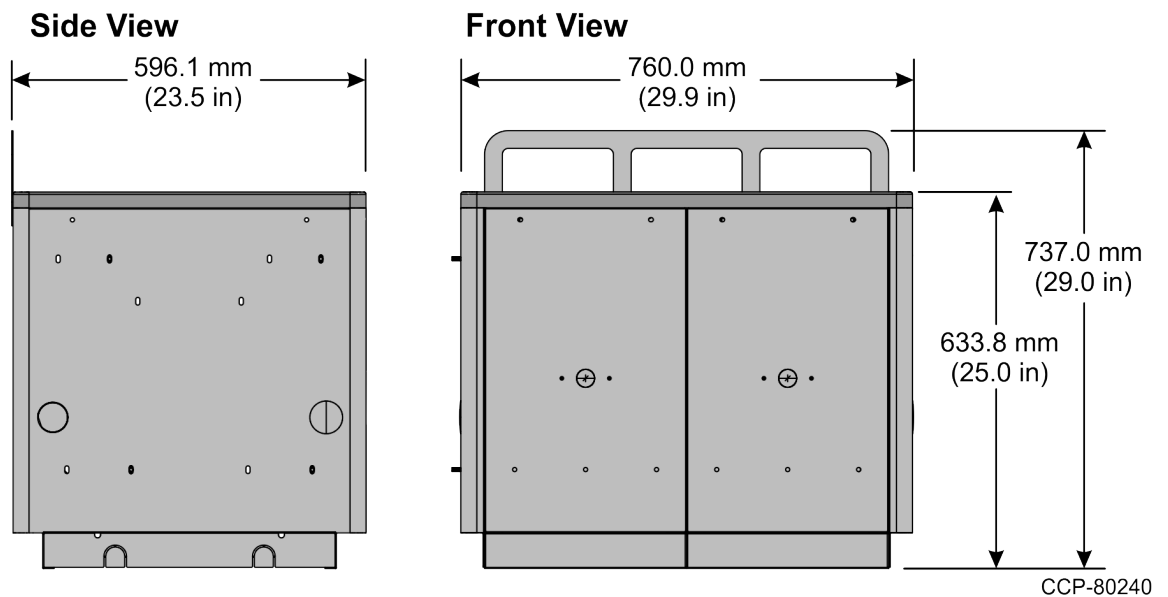
## Module Dimension and Weight

This section shows the approximate dimension and weight of each Modular 2-Bag Bagwell Module.



**Note:** These values are for reference only.

Module Dimension			Module Weight	
Height	Length	Width	Pounds (lbs)	Kilograms (kgs)
737.0 mm (29.02 in)	596.1 mm (23.47 in)	760.0 mm (29.92 in)	100 lbs	45.36 kgs



## Required Tools

The 7358–K732 3-Pack 2–Bag Bagwell Module (Medium Gray) is designed to be assembled without tools. But, NCR recommends using any of the following tools for installing captive screws on the Top Trays and if a push-in rivet needs to be removed:

- wire cutter
- flat-head screwdriver
- pliers
- 9 mm or 11/32 Wrench
- 9 mm or 11/32 Deep Socket

# Installation Procedures

Installing each 2-Bag Bagwell Module (Medium Gray) involves the following procedures:

1. [Setting up the modular 2-Bag Bagwell](#) on the next page.
2. [Installing fence on the modular 2-Bag Bagwell](#) on page 13.
3. [Installing bumper on the modular 2-Bag Bagwell](#) on page 14.
4. Installing the Bagwell to the SelfServ Checkout unit. Depending on the unit, refer to any of the following procedures:
  - [Installing the modular 2-Bag Bagwell to a 7358 Core Cabinet](#) on page 15.
  - [Installing the modular 2-Bag Bagwell to a 7370 Pedestal Cabinet](#) on page 19.
  - [Installing the modular 2-Bag Bagwell to a 7360 Core Cabinet](#) on page 25.
5. [Installing captive screws on the Top Tray](#) on page 29.
6. [Installing Top Trays on modular 2-Bag Bagwells](#) on page 32.
7. [Installing hole label covers on the modular 2-Bag Bagwell](#) on page 34.

## Setting up the modular 2-Bag Bagwell

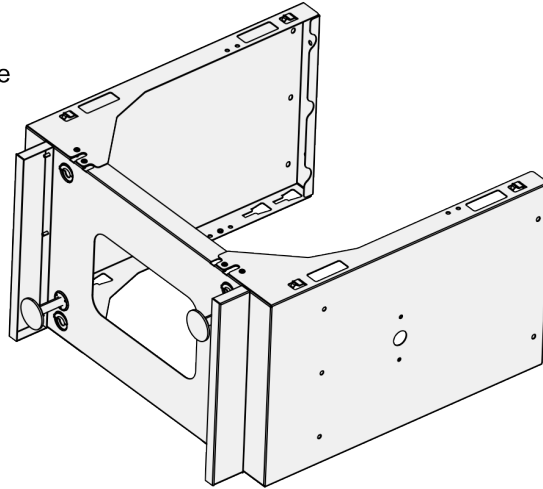
Set up the modular Bagwell before installing the assembly to the Core Cabinet Door.



**Note:** The procedure uses the Right-hand (RH) orientation for reference.

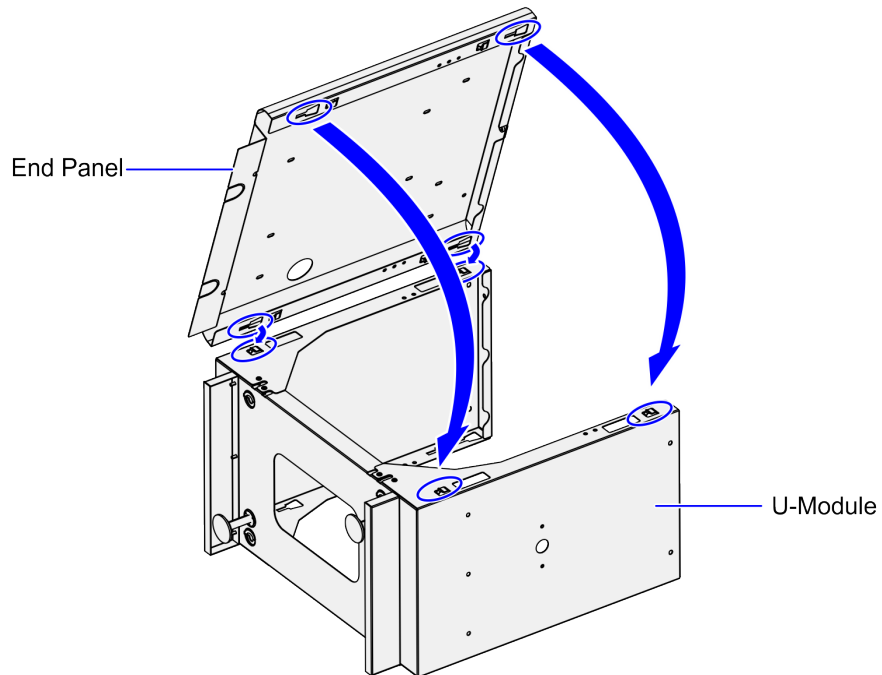
1. Lay the U-Module on its side as shown in the image below.

Large Basket U-Module



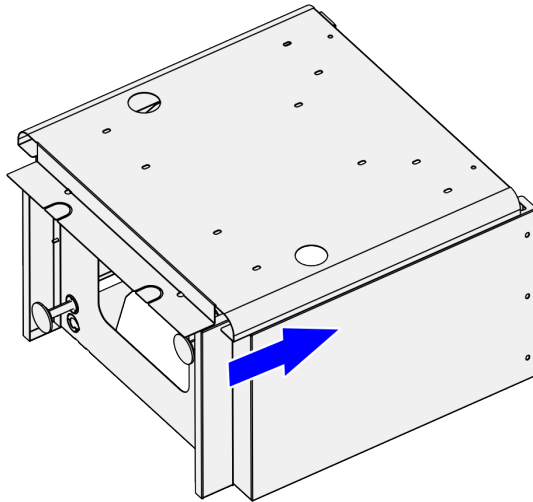
CCP-80284

2. Attach the End Panel by doing the following:
  - a. Align and insert the hooks (two on each side) of the End Panel to the corresponding slots on the U-Module.



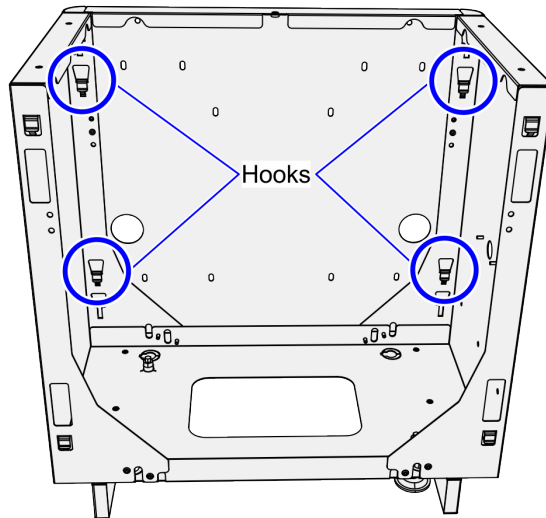
CCP-80285

- b. Slide the hooks into the U-Module slots to engage the hooks. Ensure that the End Panel snaps in place.



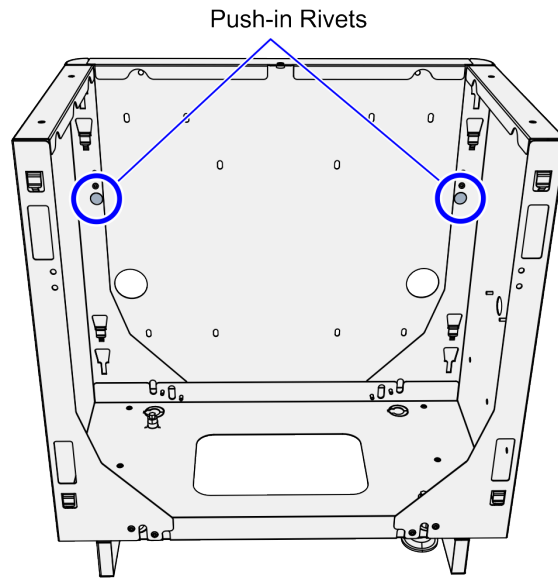
CCP-80286

- c. Verify that all hooks are properly engaged.



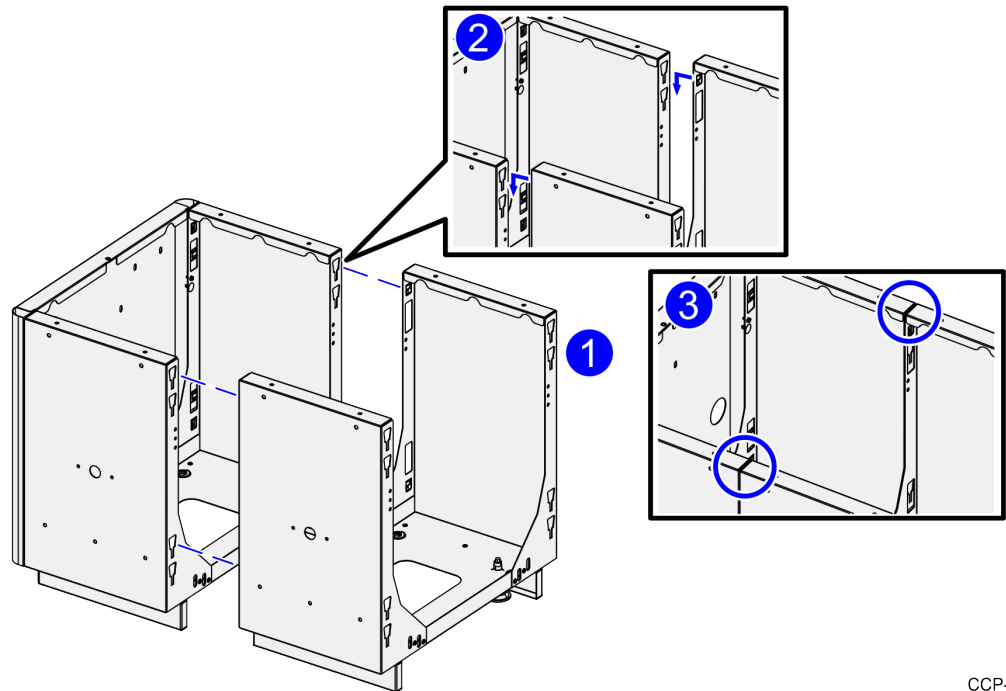
CCP-80287

- d. Fasten the End Panel and U-Module together using two (2) push-in rivets.



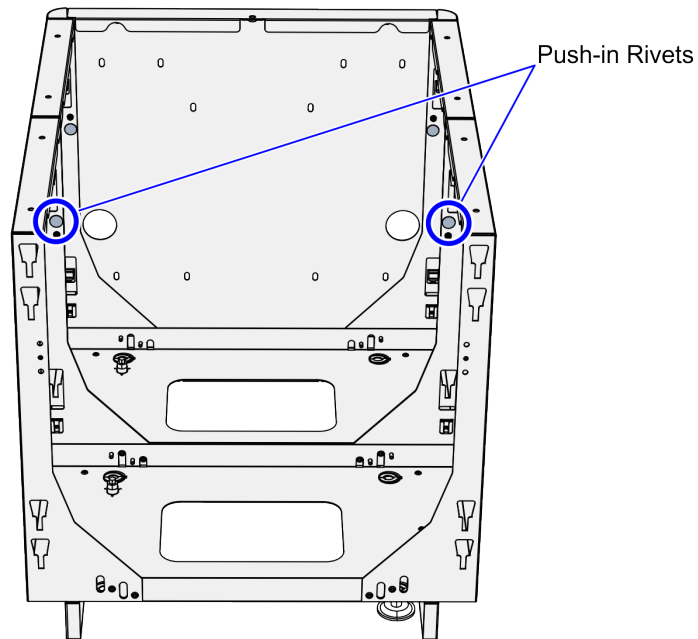
CCP-80288

3. Attach the U-Module to the U-Module assembly by doing the following:
- a. Align the hooks with the slots (two on each side) of the Center Panel assembly, and then slide down to engage the hooks. Ensure that the Modules are secure and well-aligned.



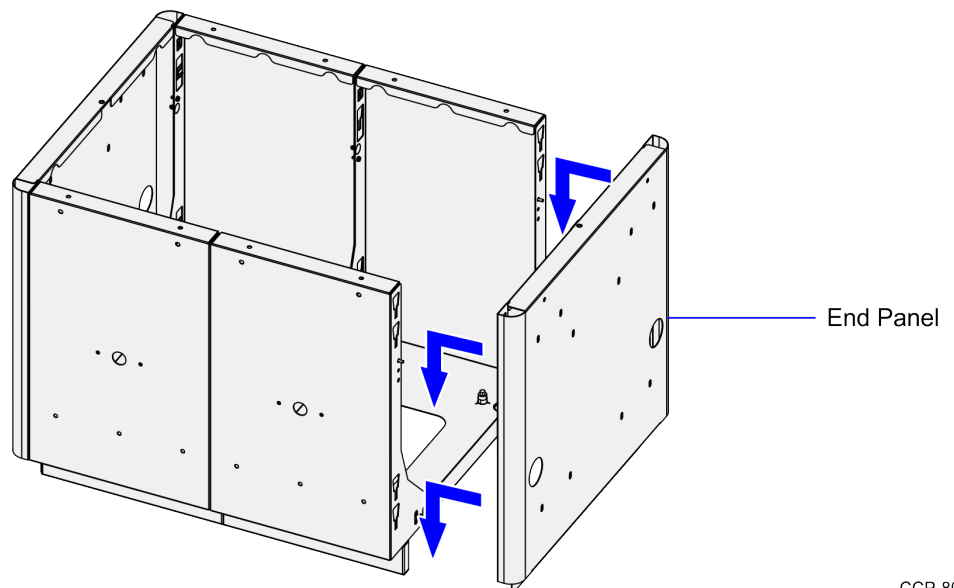
CCP-80460

- b. Fasten the U-Modules together using using two (2) push-in rivets.



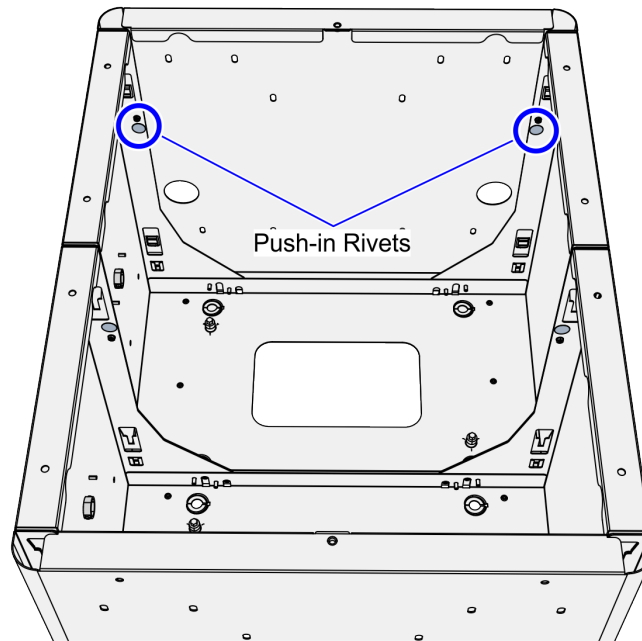
CCP-80461

4. Attach the End Panel to the U-Module assembly by doing the following:
- a. Align the hooks with the slots (two on each side) of the U-Module assembly, and then slide down to engage the hooks. Ensure that the Modules are secure and well-aligned.



CCP-80462

- b. Fasten the End Panel and U-Module together using two (2) push-in rivets.



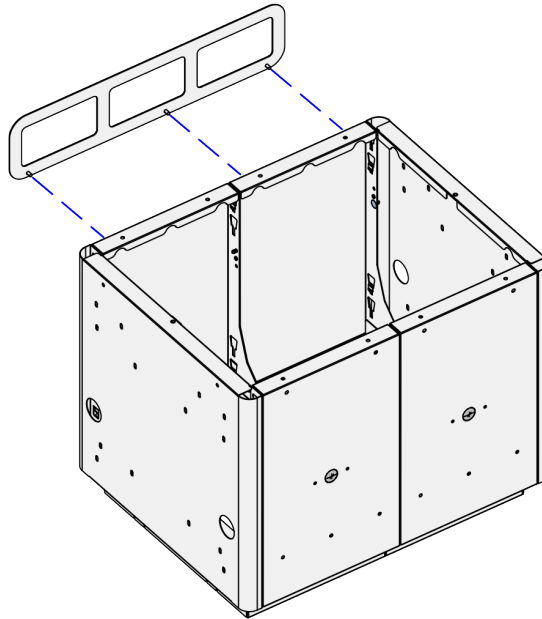
CCP-80471



## Installing fence on the modular 2-Bag Bagwell

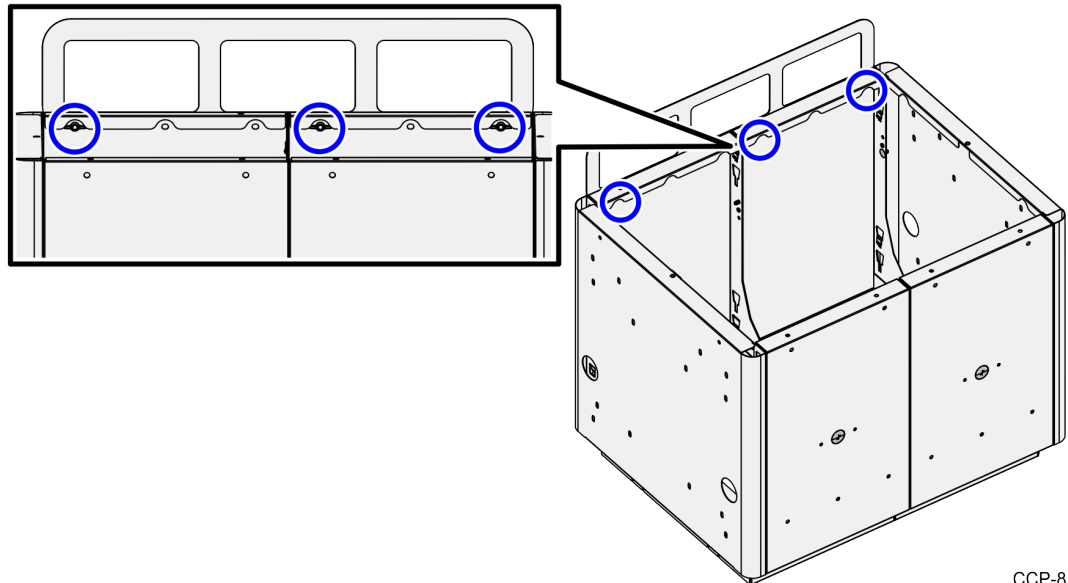
To install the Bagwell fence, follow these steps:

1. Assemble the modular 2-Bag Bagwell. For more information, refer to [Setting up the modular 2-Bag Bagwell](#) on page 8.
2. Insert the Fence studs into the corresponding holes on the Bagwell, as shown in the image below.



CCP-81274

3. Secure the Fence using three (3) wing nuts.

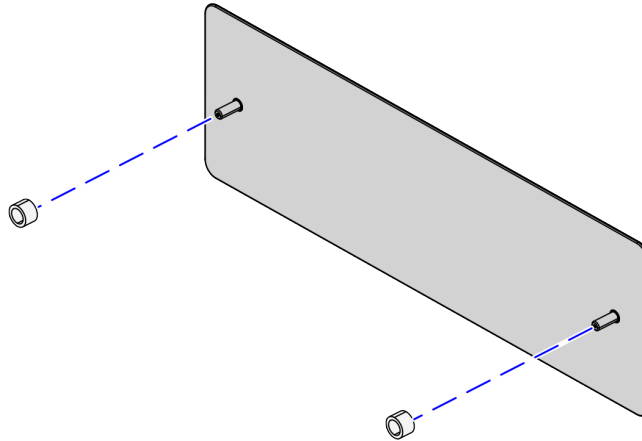


CCP-81275

## Installing bumper on the modular 2-Bag Bagwell

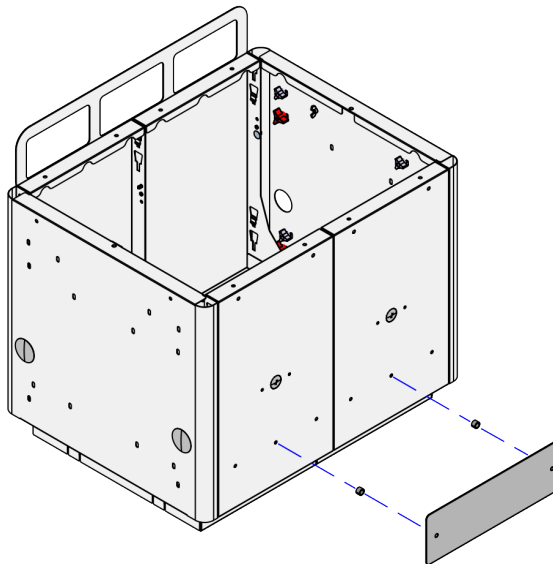
To install the Bagwell bumper, follow these steps:

1. Assemble the Bagwell. For more information, refer to [Setting up the modular 2-Bag Bagwell](#) on page 8.
2. Insert two (2) spacers on each Bumper.



CCP-80402

3. Do the following:
  - a. Position the Bumper so that the screws are aligned with the holes on the Bagwell.
  - b. Secure the Bumper on the Bagwell using two (2) wing nuts.



CCP-81220

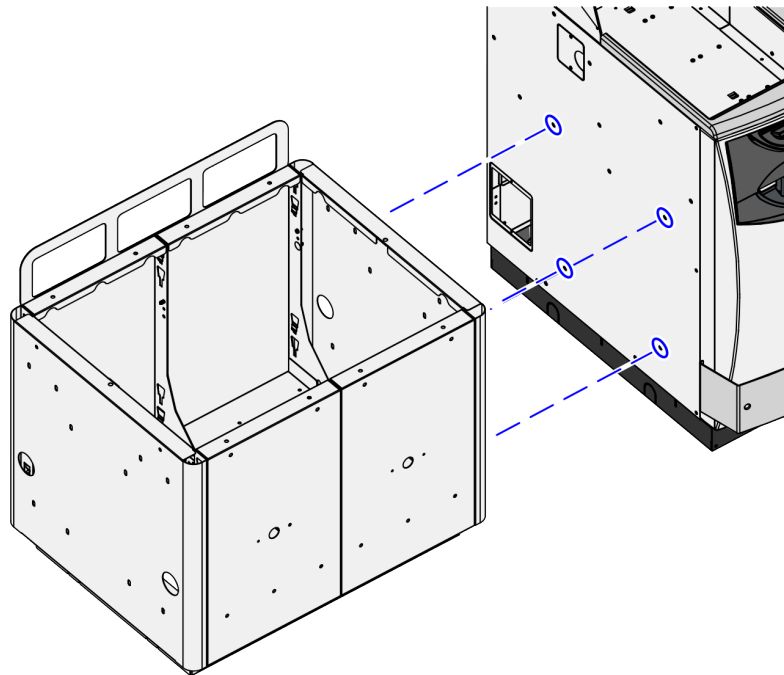
## Installing the modular 2-Bag Bagwell to a 7358 Core Cabinet

The 7358-K732 3-Pack 2-Bag Bagwell Module (Medium Gray) can be used either as three (3) single Bagwells or as an in-line group of three (3) Bagwells. This procedure shows how to install the kit as an in-line group of three (3) Bagwells to the Core Cabinet of an NCR FastLane SelfServ™ Checkout (7358).



**Note:** The procedure uses the Right-hand (RH) orientation for reference.

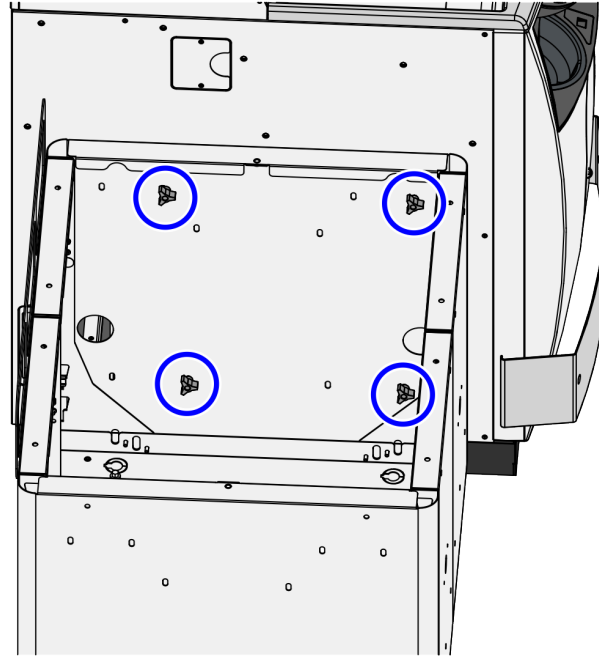
1. Assemble each modular 2-Bag Bagwell. For more information, refer to [Setting up the modular 2-Bag Bagwell](#) on page 8.
2. Align the holes on the End Panel of the Bagwell with the four (4) holes to the side of the Core Cabinet.



CCP-80465

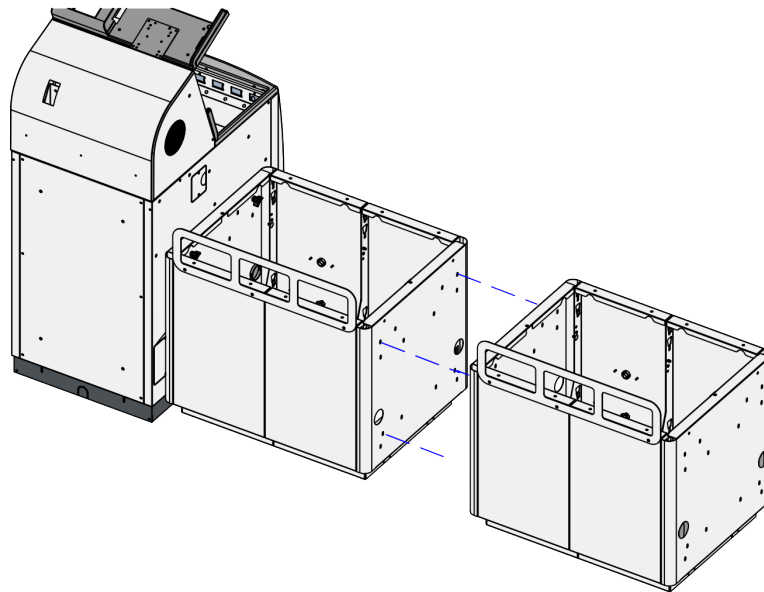
3. Move the Bagwell beside the Core Cabinet.
4. When necessary, adjust the leveling feet to prevent the Bagwell from wobbling. Ensure that it does not wobble or rock by placing hands and exerting moderate pressure on various parts of the Bagwell.

5. Secure the Bagwell using four (4)  $\frac{1}{4}$ -20 black knob screws.



CCP-80466

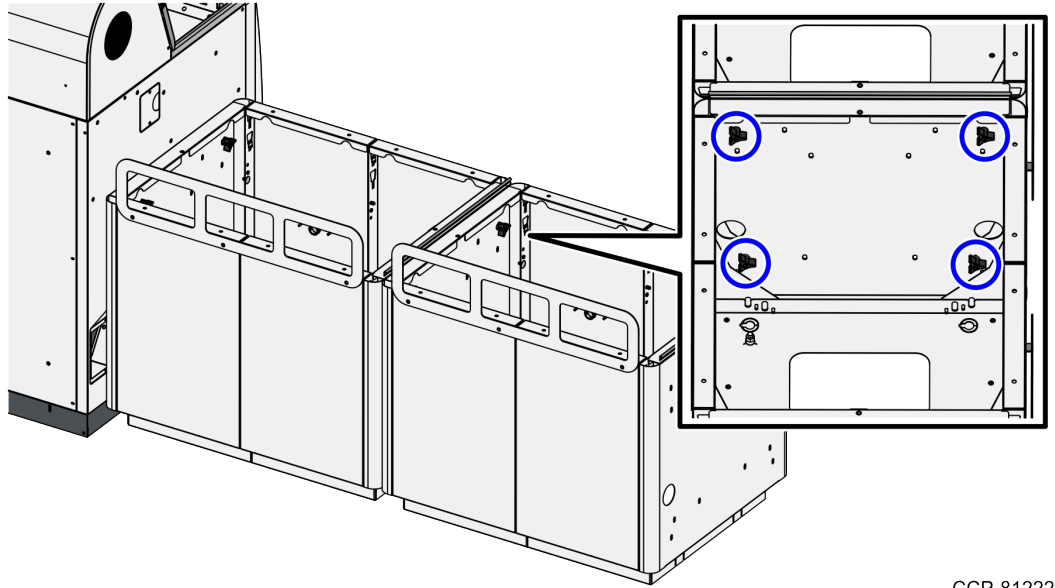
6. Install the second Bagwell assembly by doing the following:
  - a. Align the holes on the End Panel of the second Bagwell with the four (4) holes of the End Panel on the first Bagwell.



CCP-81221

- b. Move the Bagwell beside the first Bagwell.
  - c. When necessary, adjust the leveling feet to prevent the Bagwell from wobbling. Ensure that it does not wobble or rock by placing hands and exerting moderate pressure on various parts of the Bagwell.

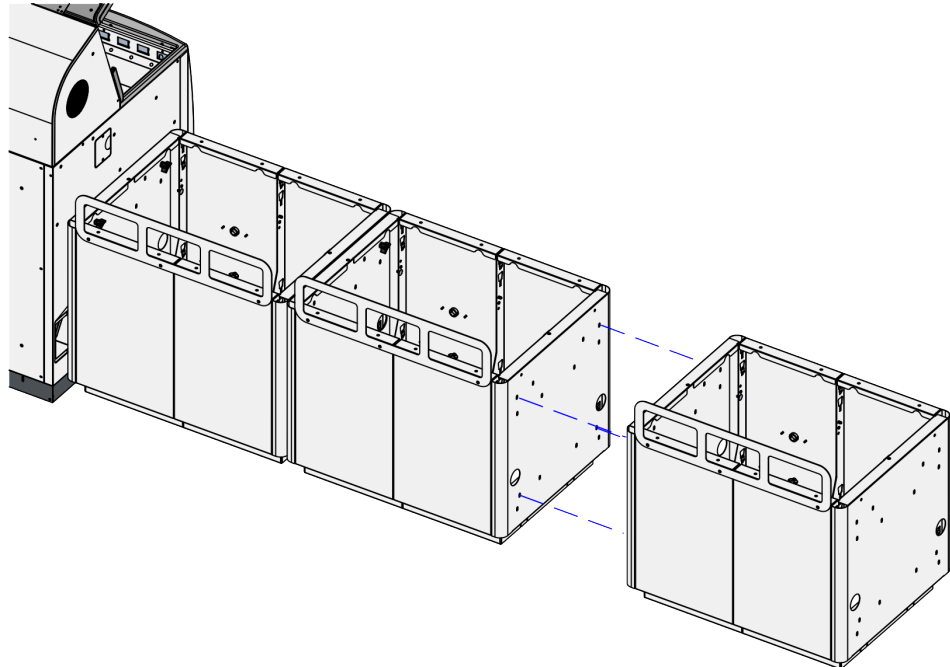
- d. Secure the Bagwell using four (4) ¼-20 black knob screws and four (4) wing nuts.



CCP-81222

7. Install the third Bagwell assembly by doing the following:

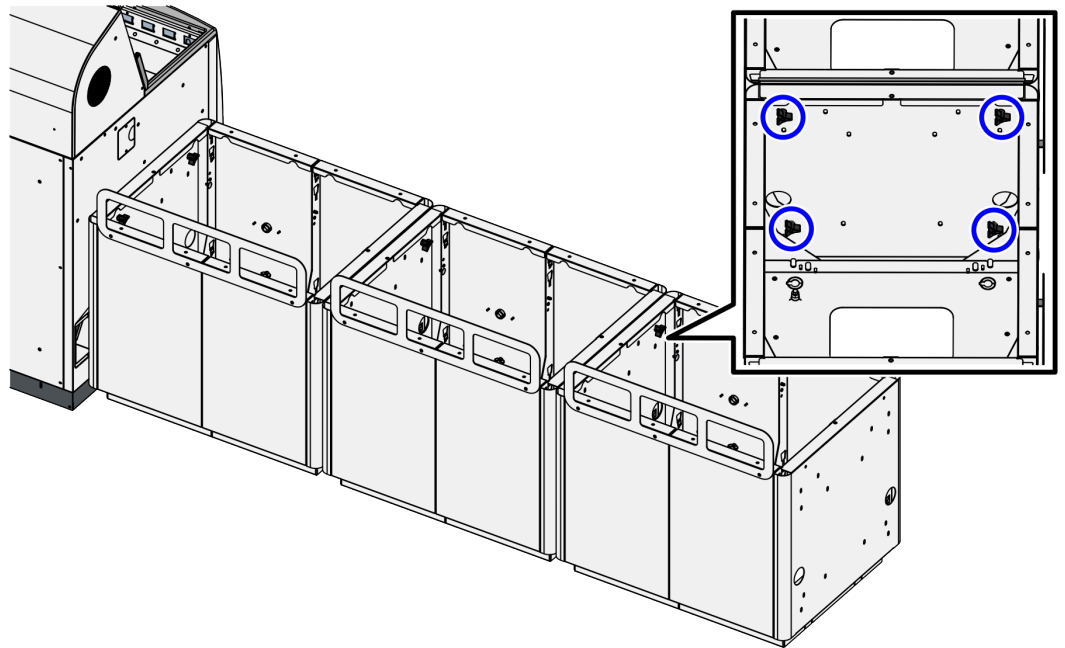
- a. Align the holes on the End Panel of the third Bagwell with the four (4) holes of the End Panel on the second Bagwell.



CCP-81223

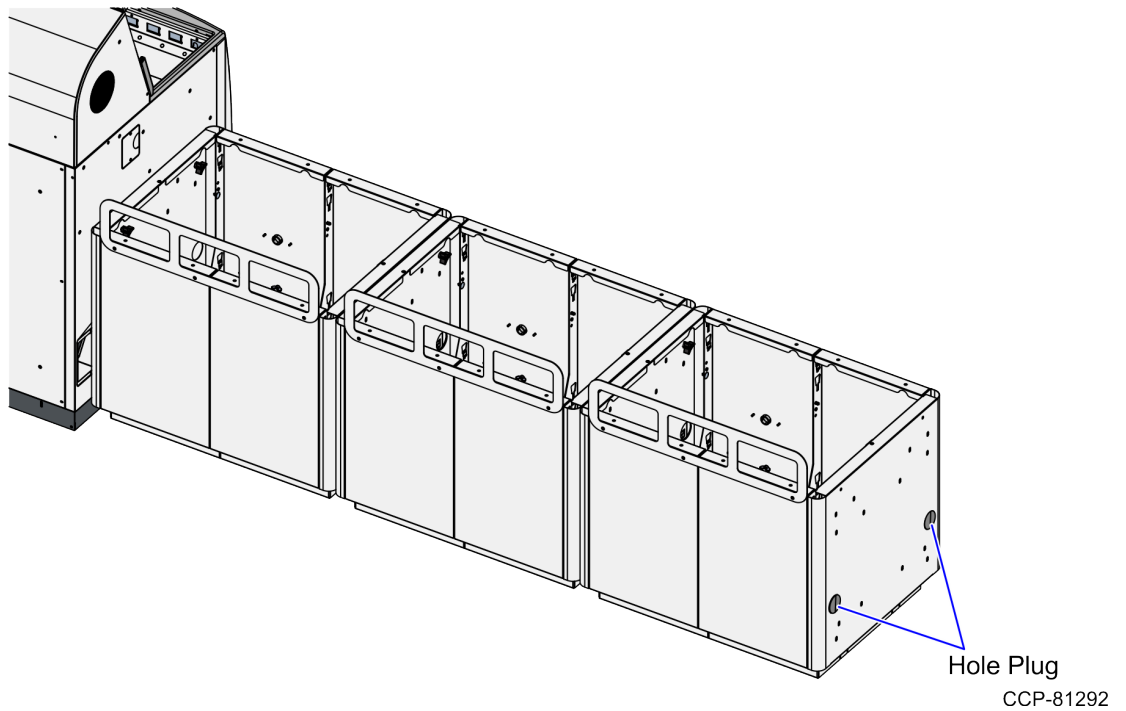
- b. Move the Bagwell beside the second Bagwell.
- c. When necessary, adjust the leveling feet to prevent the Bagwell from wobbling. Ensure that it does not wobble or rock by placing hands and exerting moderate pressure on various parts of the Bagwell.

- d. Secure the Bagwell using four (4)  $\frac{1}{4}$ -20 black knob screws and four (4) wing nuts.



CCP-81224

8. Install two (2) 2" hole plugs in the End Panel of the Bagwell not covered by another Bagwell, as shown in the example below.



Hole Plug

CCP-81292

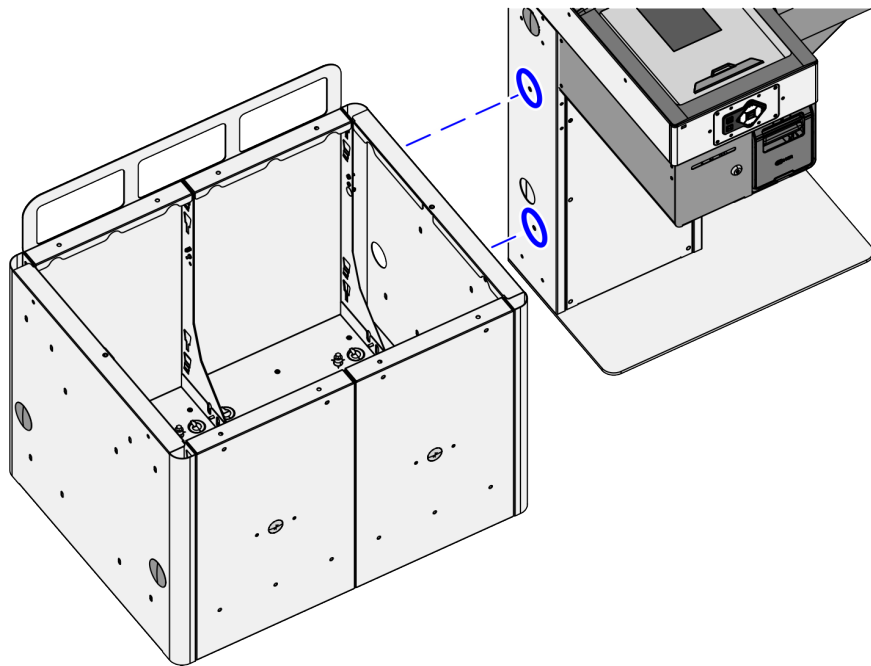
## Installing the modular 2-Bag Bagwell to a 7370 Pedestal Cabinet

The 7358-K732 3-Pack 2-Bag Bagwell Module (Medium Gray) can be used either as three (3) single Bagwells or as an in-line group of three (3) Bagwells. This procedure shows how to install the kit as an in-line group of three (3) Bagwells to the Core Cabinet of an NCR FastLane SelfServ™ Checkout (7370).



**Note:** The procedure uses the Right-hand (RH) orientation for reference.

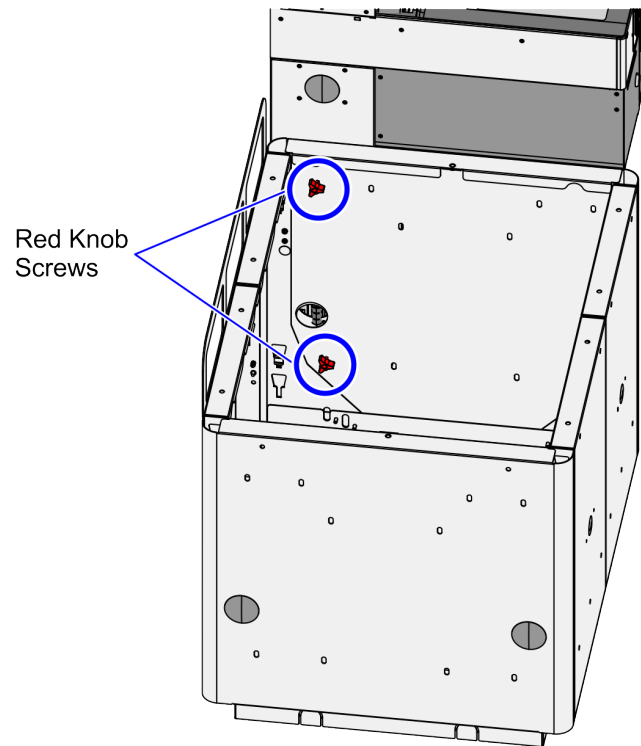
1. Assemble each modular 2-Bag Bagwell. For more information, refer to [Setting up the modular 2-Bag Bagwell](#) on page 8.
2. Align the holes on the Bagwell with the two (2) holes on the side of the Pedestal Cabinet.



CCP-80493

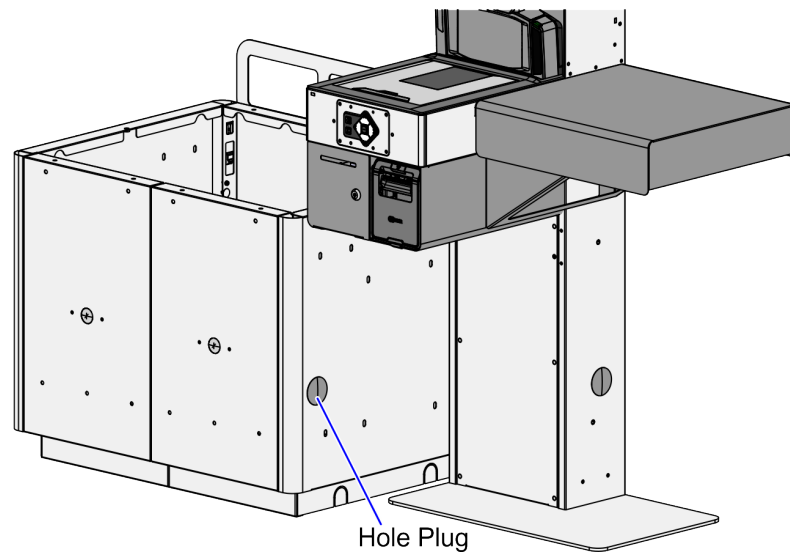
3. Move the Bagwell beside the Pedestal Cabinet.
4. When necessary, adjust the leveling feet to prevent the Bagwell from wobbling. Ensure that it does not wobble or rock by placing hands and exerting moderate pressure on various parts of the Bagwell.

- Secure the Bagwell using two (2) M6 red knob screws.



CCP-80494

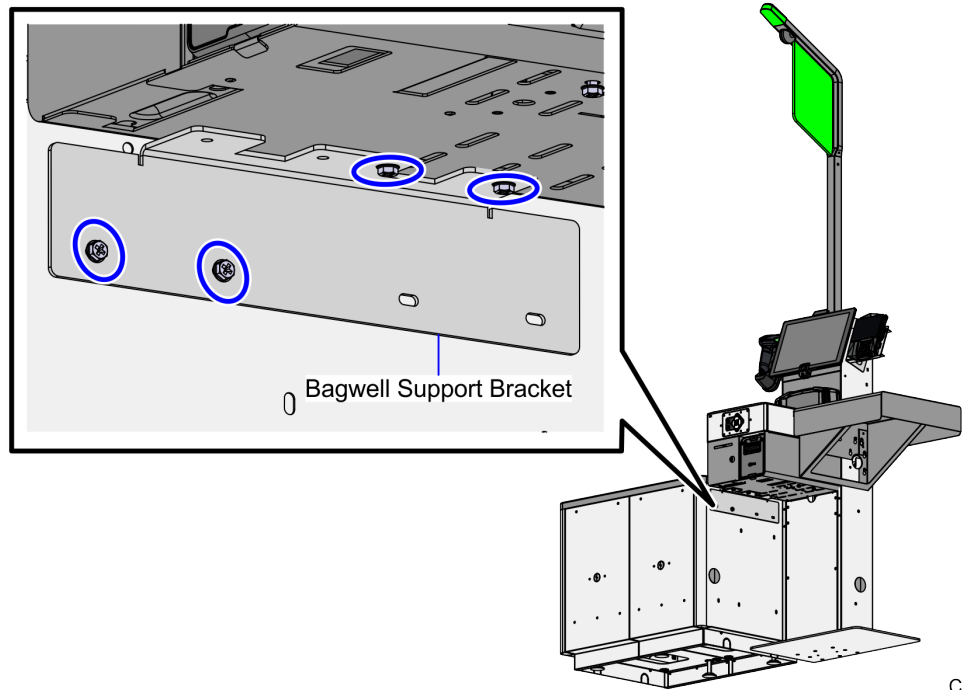
- Install a hole plug in the area not covered by the Pedestal Cabinet, as shown in the example below.



CCP-80523

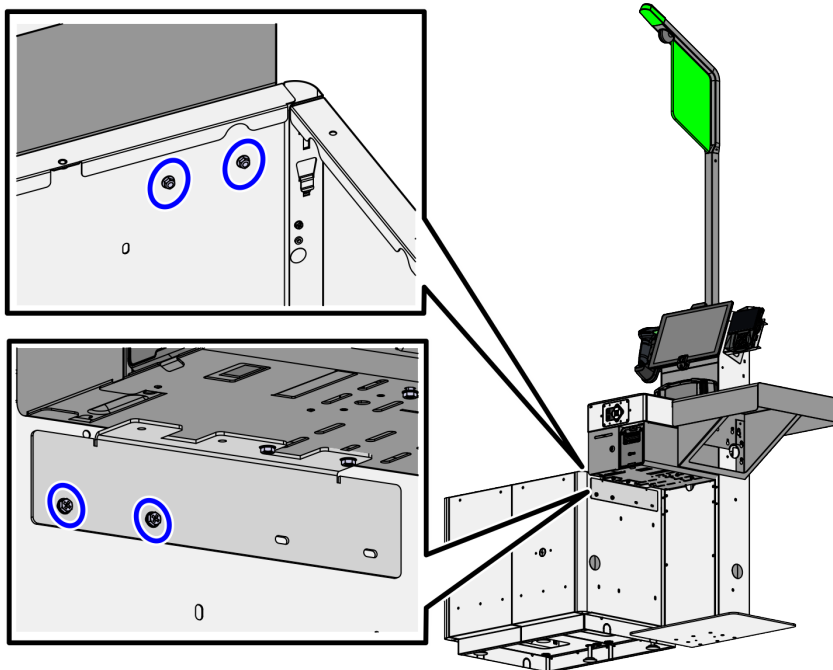


7. Install the Bagwell Support Bracket by doing the following:
  - a. Attach the Bagwell Support Bracket using two (2) bolts on the underside of the Scanner Bucket and two (2) bolts on the Bagwell.



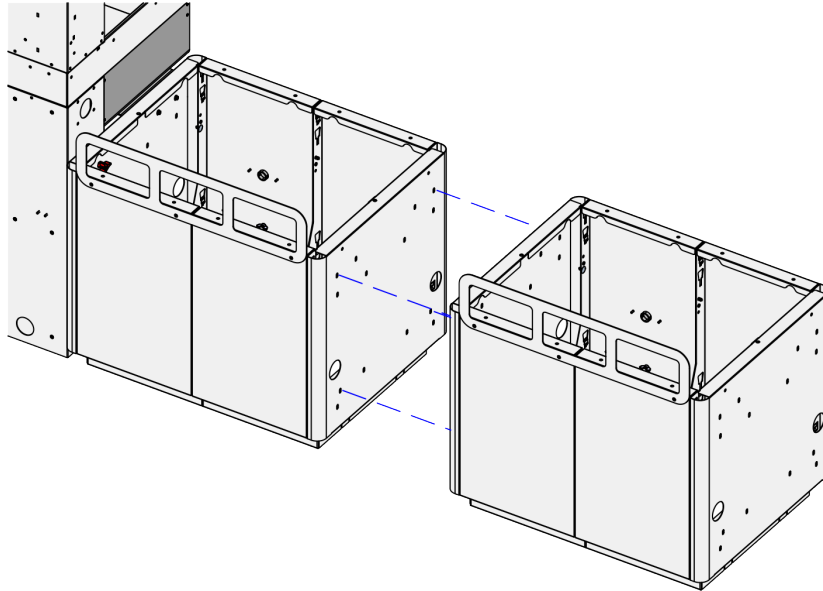
CCP-81218

- b. Secure the two (2) bolts inside the Bagwell using two (2) nuts.



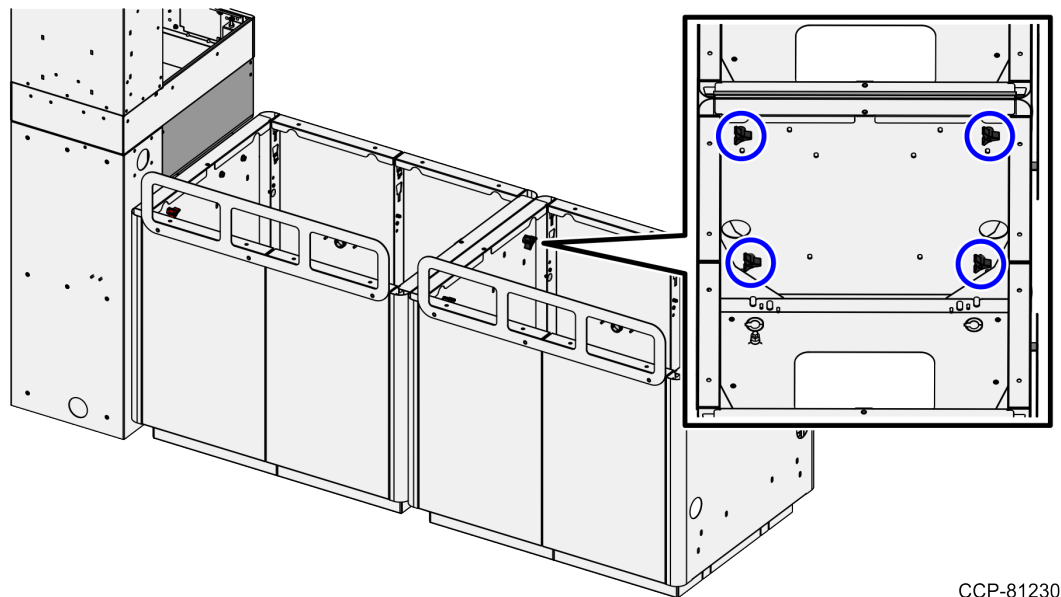
CCP-81219

8. Install the second Bagwell assembly by doing the following:
  - a. Align the holes on the End Panel of the second Bagwell with the four (4) holes of the End Panel on the first Bagwell.



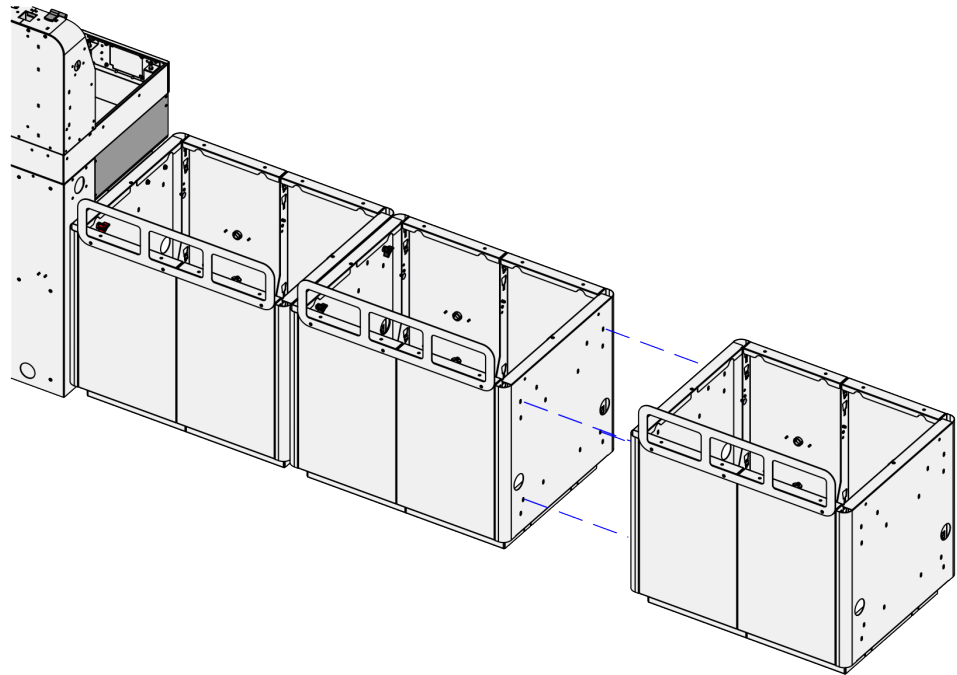
CCP-81229

- b. Move the Bagwell beside the first Bagwell.
- c. When necessary, adjust the leveling feet to prevent the Bagwell from wobbling. Ensure that it does not wobble or rock by placing hands and exerting moderate pressure on various parts of the Bagwell.
- d. Secure the Bagwell using four (4)  $\frac{1}{4}$ -20 black knob screws and four (4) wing nuts.



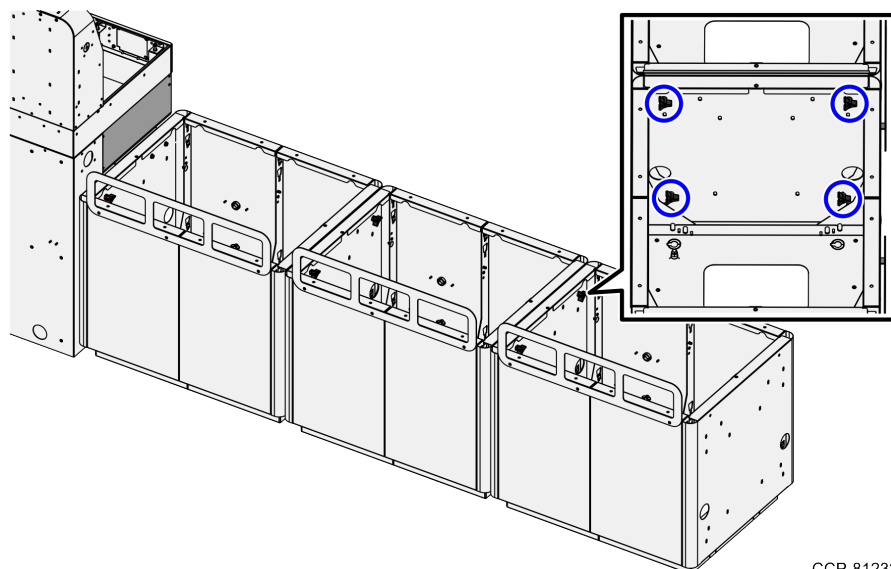
CCP-81230

9. Install the third Bagwell assembly by doing the following:
  - a. Align the holes on the End Panel of the third Bagwell with the four (4) holes of the End Panel on the second Bagwell.



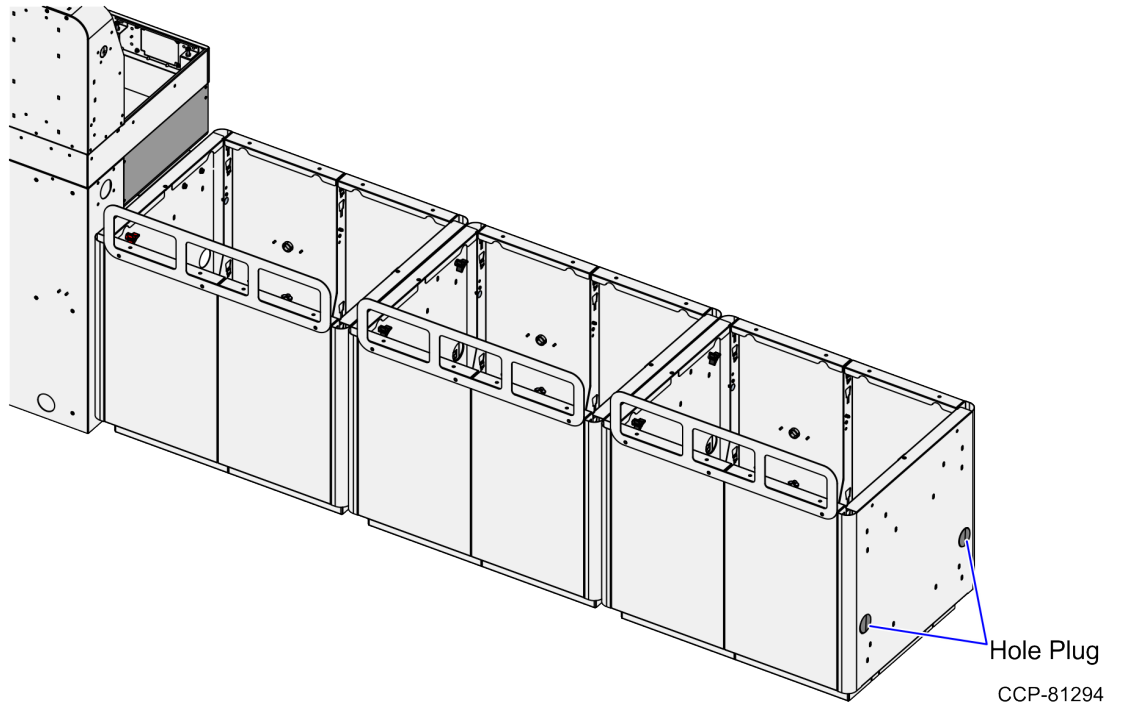
CCP-81231

- b. Move the Bagwell beside the second Bagwell.
- c. When necessary, adjust the leveling feet to prevent the Bagwell from wobbling. Ensure that it does not wobble or rock by placing hands and exerting moderate pressure on various parts of the Bagwell.
- d. Secure the Bagwell using four (4)  $\frac{1}{4}$ -20 black knob screws and four (4) wing nuts.



CCP-81232

10. Install two (2) 2" hole plugs in the End Panel of the Bagwell not covered by another Bagwell, as shown in the example below.



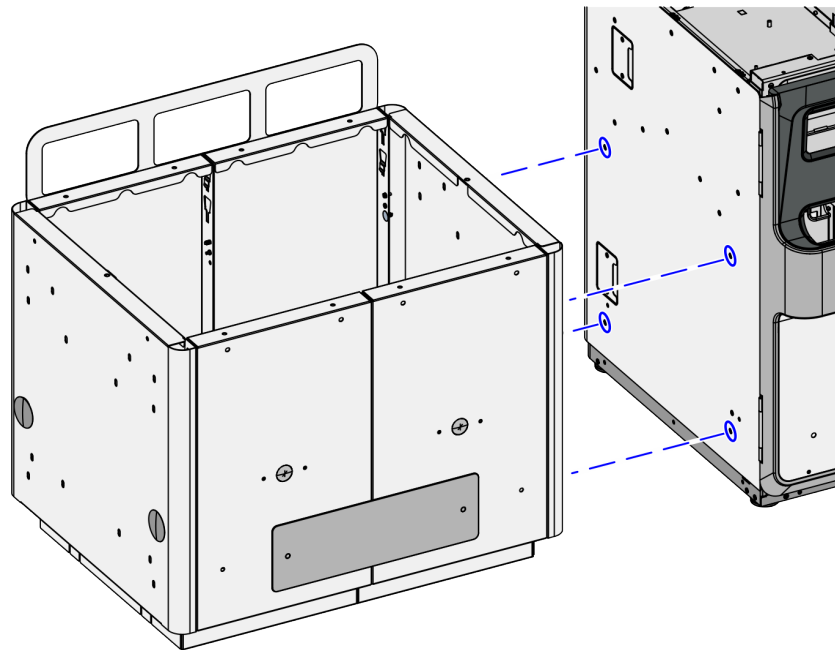
## Installing the modular 2-Bag Bagwell to a 7360 Core Cabinet

The 7358-K732 3-Pack 2-Bag Bagwell Module (Medium Gray) can be used either as three (3) single Bagwells or as an in-line group of three (3) Bagwells. This procedure shows how to install the kit as an in-line group of three (3) Bagwells to the Core Cabinet of an NCR FastLane SelfServ™ Checkout (7360).



**Note:** The procedure uses the Right-hand (RH) orientation for reference.

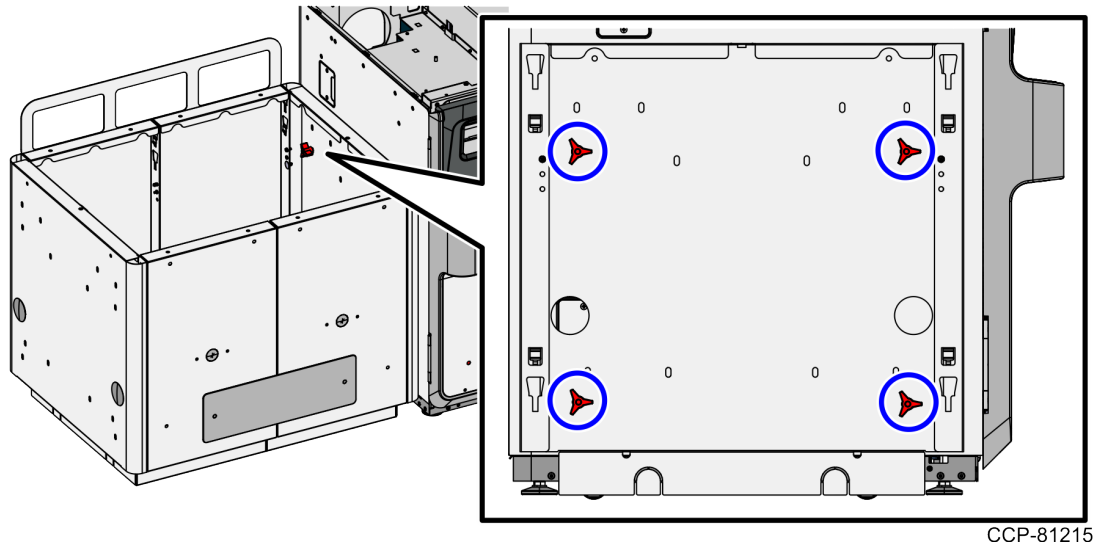
1. Assemble each modular 2-Bag Bagwell. For more information, refer to [Setting up the modular 2-Bag Bagwell](#) on page 8.
2. Align the holes on the End Panel of the Bagwell with the four (4) holes to the side of the Core Cabinet.



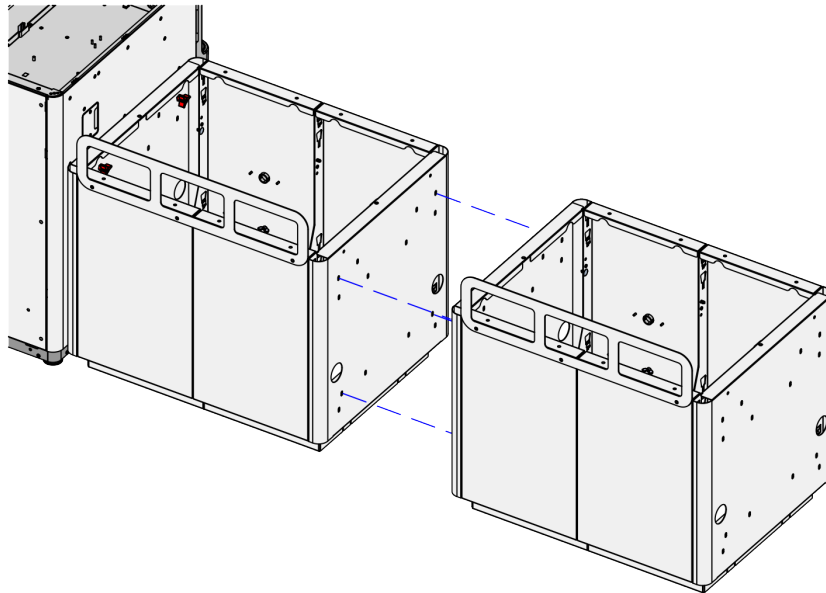
CCP-81214

3. Move the Bagwell beside the Core Cabinet.
4. When necessary, adjust the leveling feet to prevent the Bagwell from wobbling. Ensure that it does not wobble or rock by placing hands and exerting moderate pressure on various parts of the Bagwell.

5. Secure the Bagwell using four (4) M6 red knob screws.

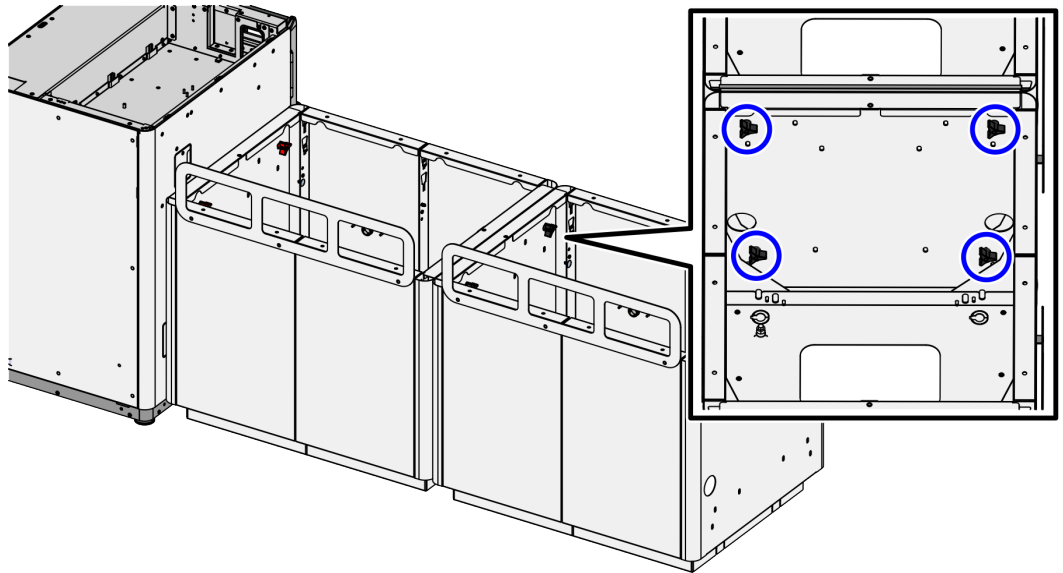


6. Install the second Bagwell assembly by doing the following:
  - a. Align the holes on the End Panel of the second Bagwell with the four (4) holes of the End Panel on the first Bagwell.



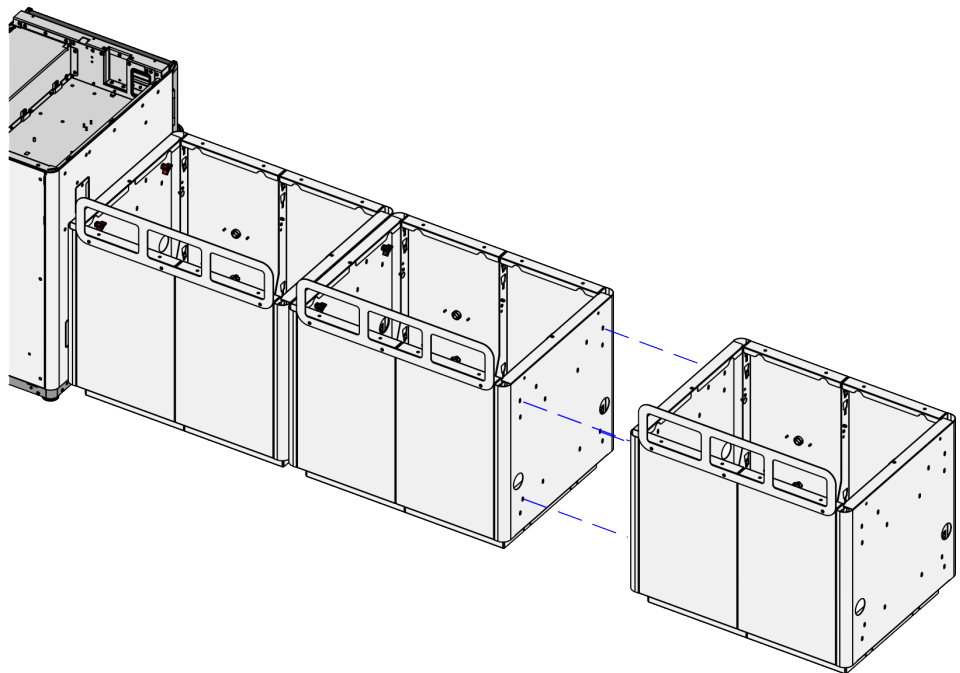
- b. Move the Bagwell beside the first Bagwell.
  - c. When necessary, adjust the leveling feet to prevent the Bagwell from wobbling. Ensure that it does not wobble or rock by placing hands and exerting moderate pressure on various parts of the Bagwell.

- d. Secure the Bagwell using four (4)  $\frac{1}{4}$ -20 black knob screws and four (4) wing nuts.



CCP-81226

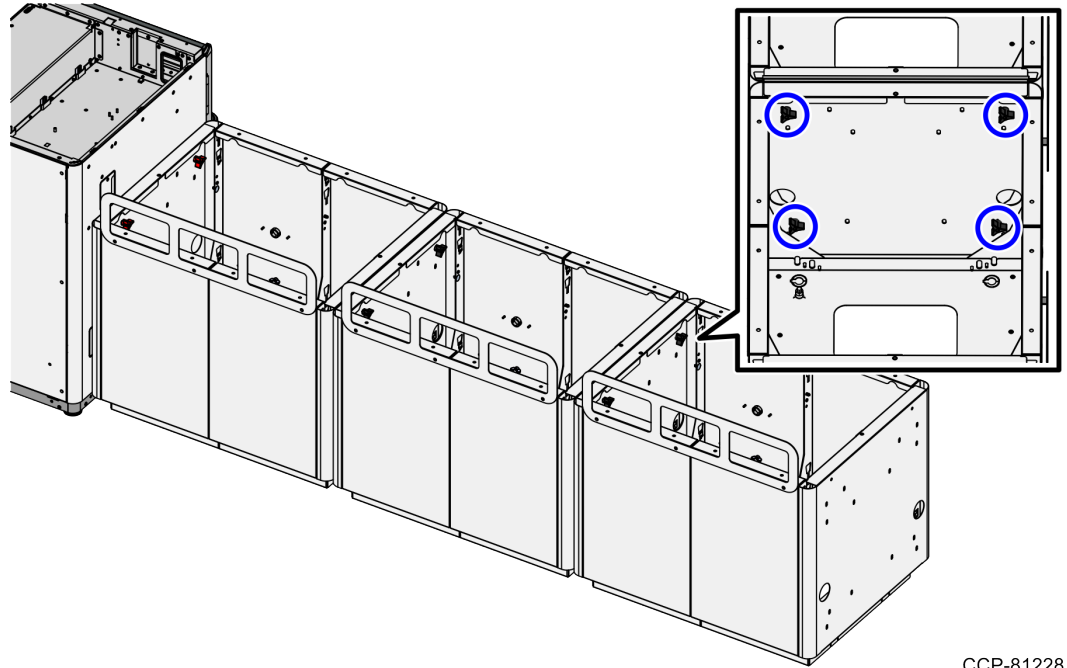
7. Install the third Bagwell assembly by doing the following:
  - a. Align the holes on the End Panel of the third Bagwell with the four (4) holes of the End Panel on the second Bagwell.



CCP-81227

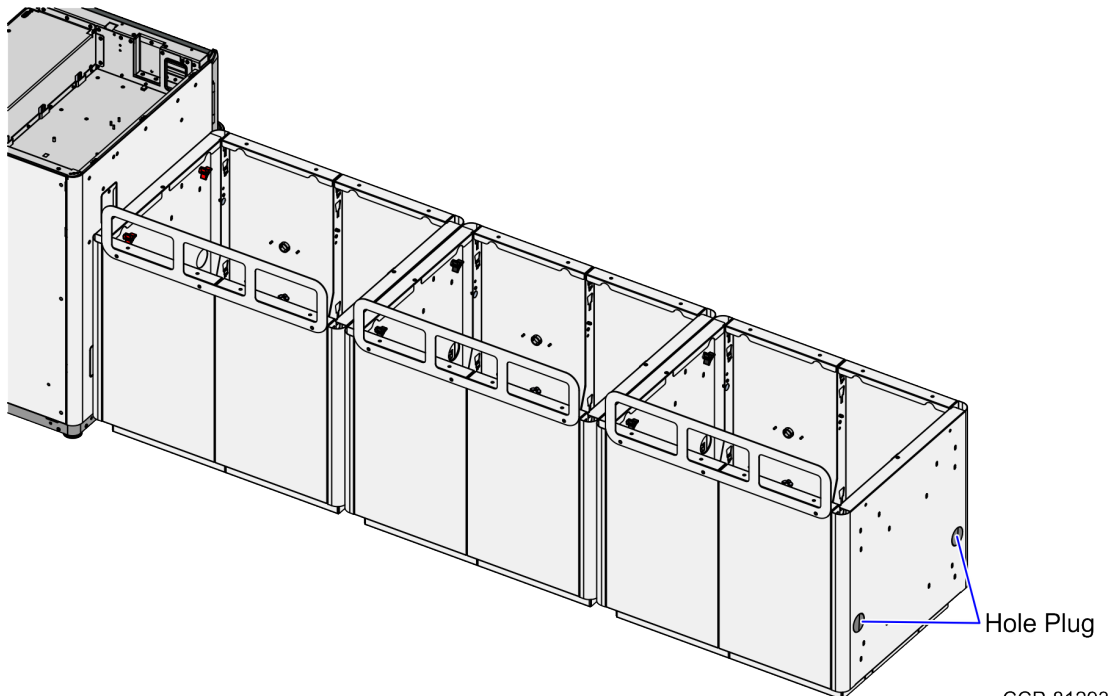
- b. Move the Bagwell beside the second Bagwell.

- c. When necessary, adjust the leveling feet to prevent the Bagwell from wobbling. Ensure that it does not wobble or rock by placing hands and exerting moderate pressure on various parts of the Bagwell.
- d. Secure the Bagwell using four (4)  $\frac{1}{4}$ -20 black knob screws and four (4) wing nuts.



CCP-81228

8. Install two (2) 2" hole plugs in the End Panel of the Bagwell not covered by another Bagwell, as shown in the example below.



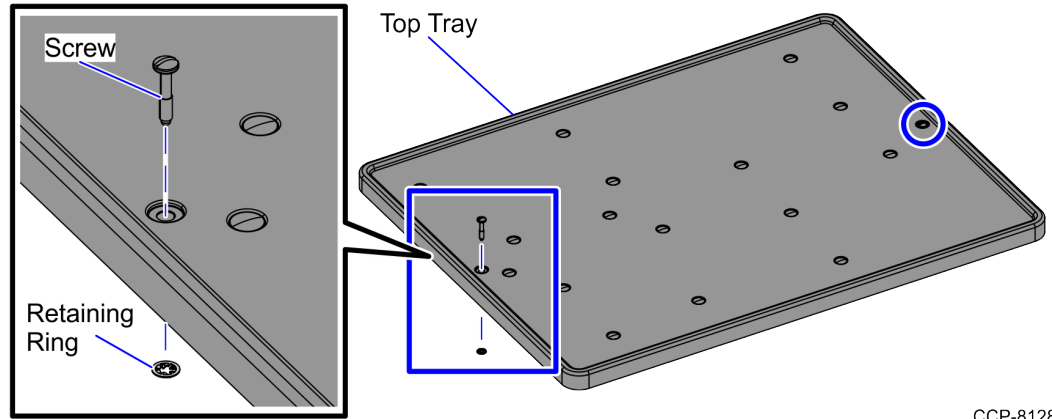
CCP-81293



## Installing captive screws on the Top Tray

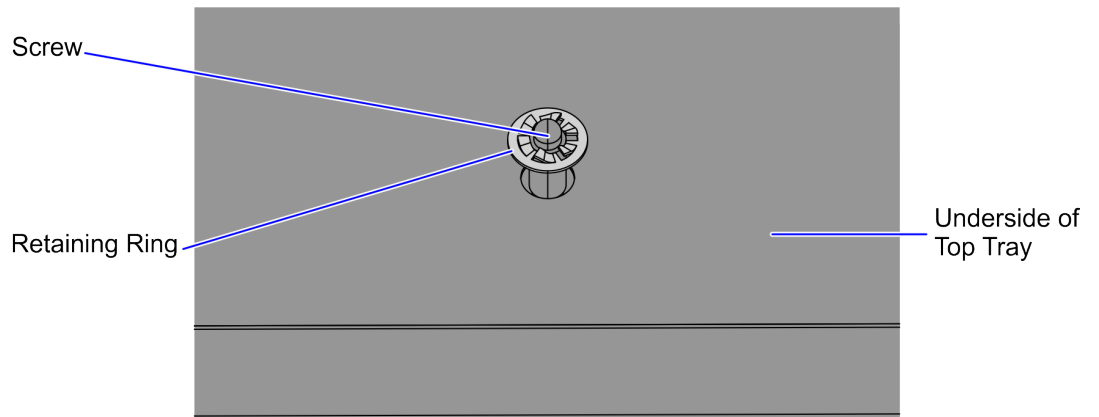
To install the captive screws on the Top Tray, follow these steps:

1. Insert a screw and retaining ring at each end of the Top Tray, as shown in the image below.



CCP-81285

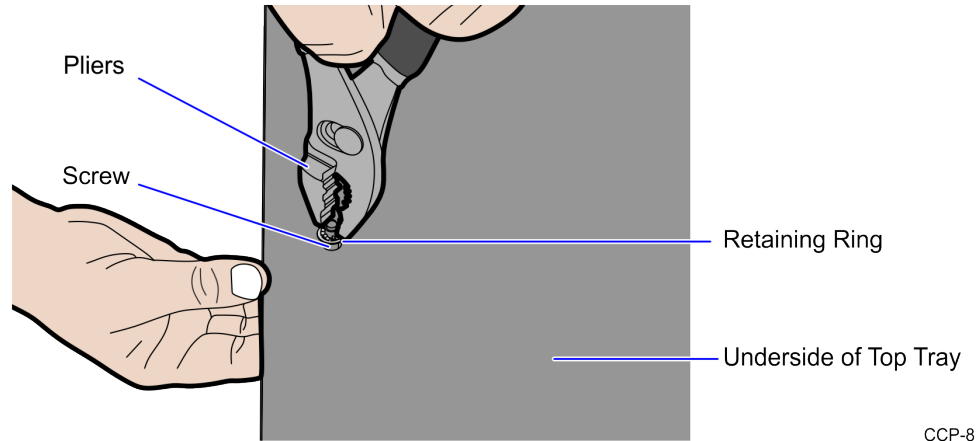
2. Hold the screw in position and then place the retaining ring on it.



CCP-81286

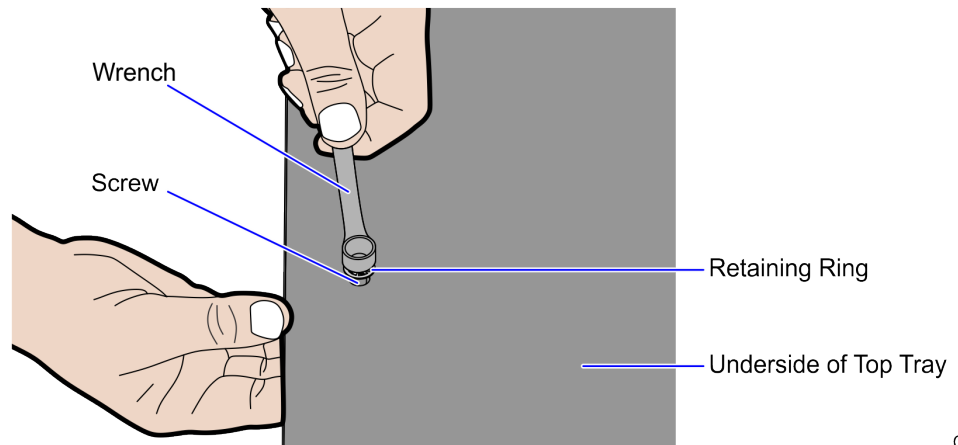
3. Press the retaining ring on the screw by using any of the tools below.

- Pliers



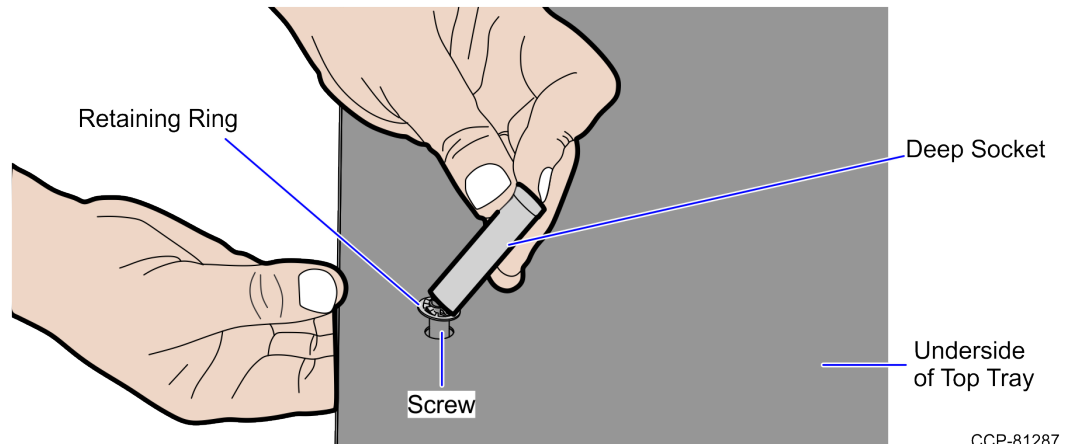
CCP-81289

- 9 mm or 11/32 Wrench



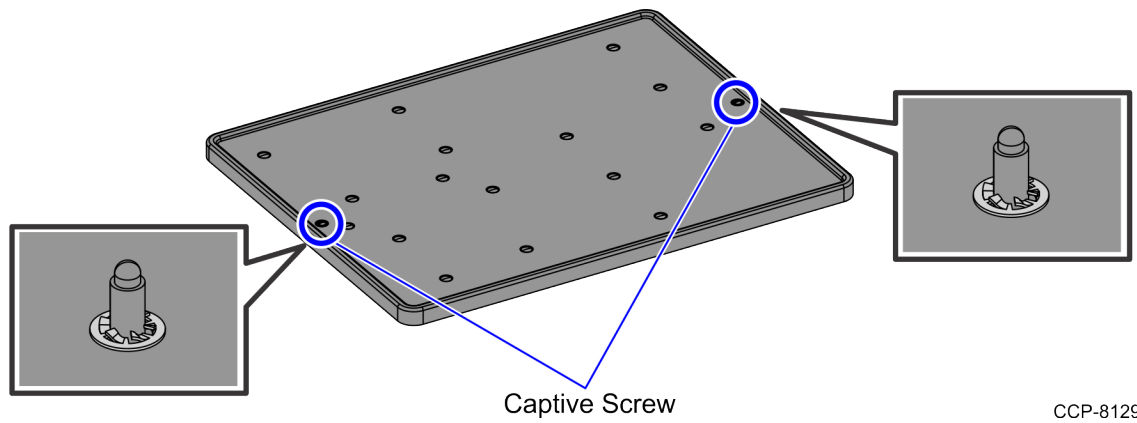
CCP-81288

- 9 mm or 11/32 Deep Socket



CCP-81287

4. Press the retaining ring flush with the underside of the Top Tray.



CCP-81290

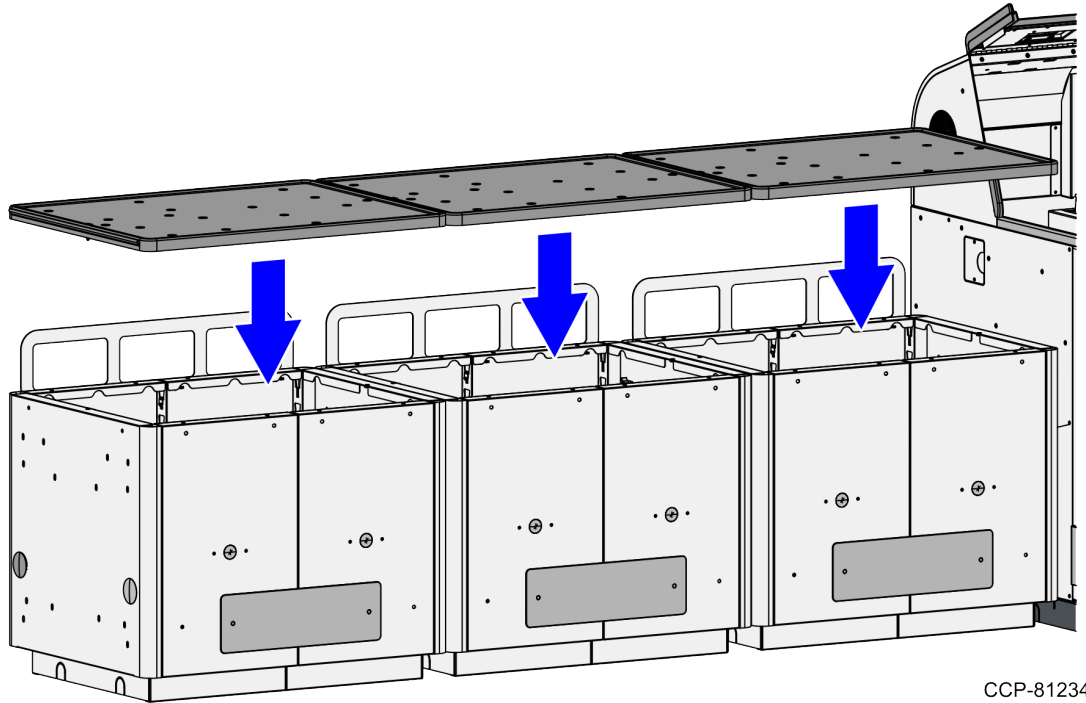
## Installing Top Trays on modular 2-Bag Bagwells

To install Top Trays on the Bagwells, follow these steps:



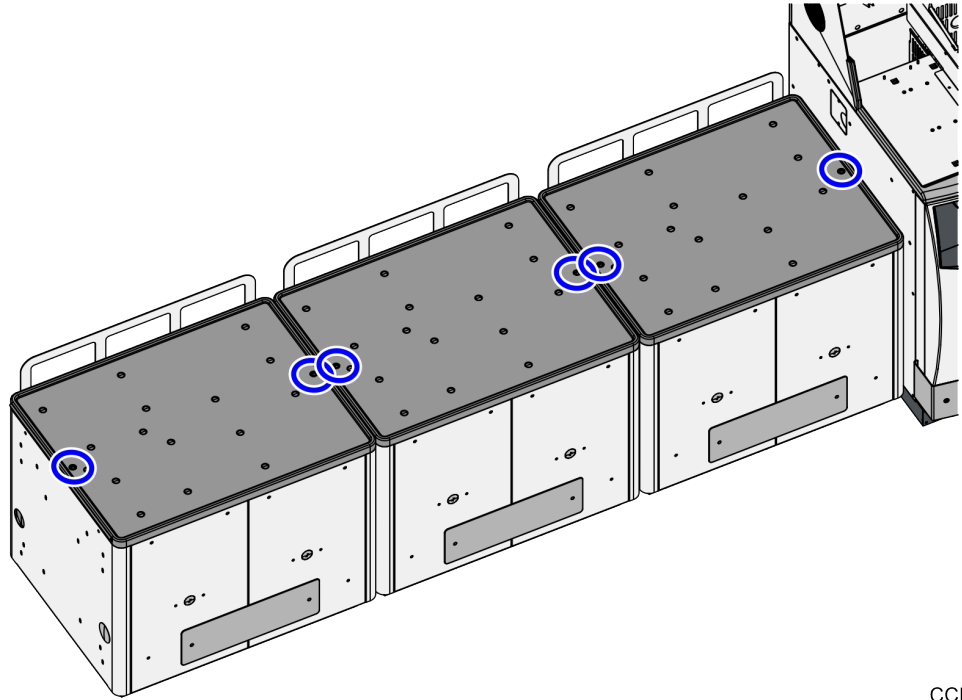
**Note:** The illustrations in this procedure shows an NCR FastLane SelfServ™ Checkout (7358) unit with an in-line group of three (3) Bagwells only as an example.

1. Install captive screws on each Top Tray, if necessary. For more information, refer to [Installing captive screws on the Top Tray](#) on page 29.
2. Place the Top Tray on the Bagwell. Ensure that the captive screws on both ends of the Top Tray are aligned with the corresponding screw holes on the Bagwell.



CCP-81234

3. Tighten the captive screws at the ends of each Top Tray, as shown in the image below.

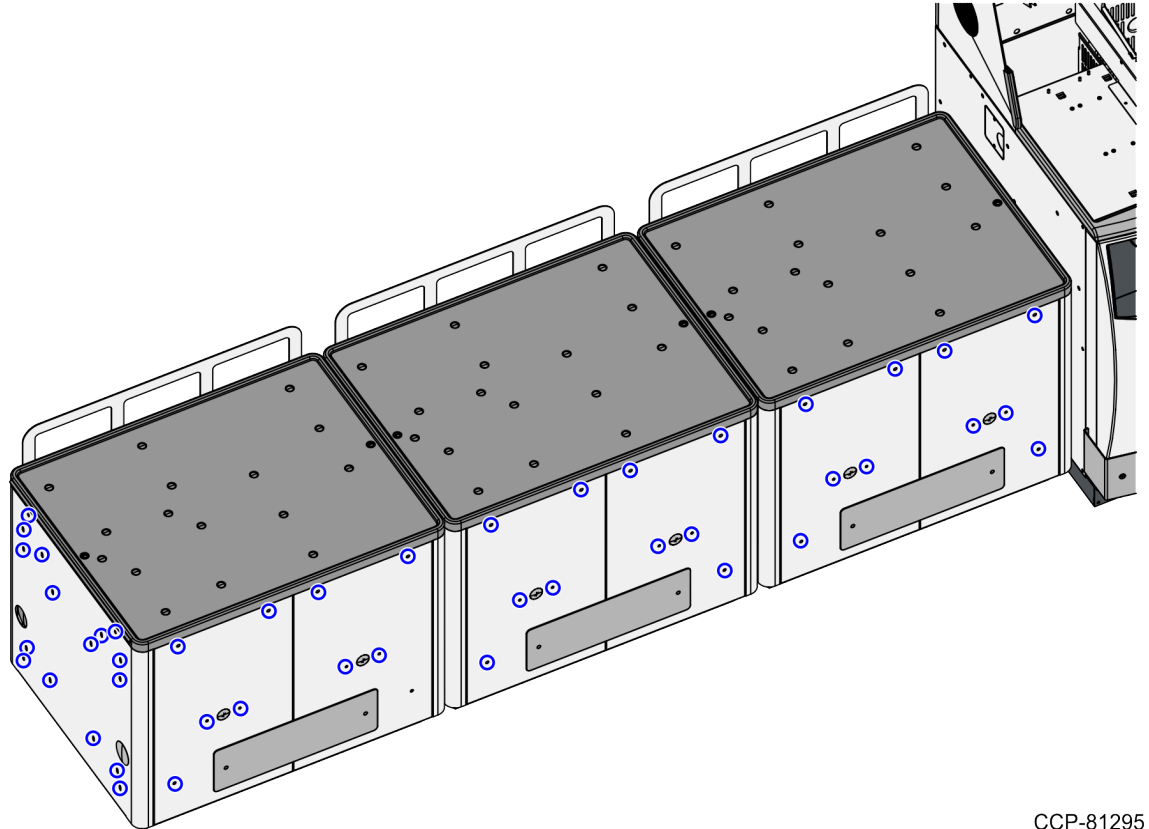


## Installing hole label covers on the modular 2-Bag Bagwell

Attach the hole label covers on the areas shown in the image below. Ensure that all open holes are covered with a label.



**Note:** For the purpose of illustration only, the image below shows an NCR FastLane SelfServ™ Checkout (7358) unit with Right-hand (RH) orientation.



CCP-81295

## Changing the modular 2-Bag Bagwell orientation

To change the orientation of the Bagwell, follow these steps:



**Note:** For the purpose of illustration only, this procedure shows images using Right-hand (RH) orientation.

1. Remove the Top Tray from the Bagwell. For more information, refer to [Removing Top Trays from modular 2-Bag Bagwells](#) on the next page.
2. Remove the Bagwell assembly. Depending on the unit, refer to either of the following procedures:
  - [Removing the modular 2-Bag Bagwell from a 7358 Core Cabinet](#) on page 39.
  - [Removing the modular 2-Bag Bagwell from a 7370 Pedestal Cabinet](#) on page 43.
  - [Removing the modular 2-Bag Bagwell from a 7360 Core Cabinet](#) on page 48.
3. Install the Bagwell to the side of the SelfServ Checkout unit. Depending on the unit, refer to either of the following procedures:



**Note:** Ensure that the hole plugs are inserted at the opposite side before installing in the new orientation.

- [Installing the modular 2-Bag Bagwell to a 7358 Core Cabinet](#) on page 15.
  - [Installing the modular 2-Bag Bagwell to a 7370 Pedestal Cabinet](#) on page 19.
  - [Installing the modular 2-Bag Bagwell to a 7360 Core Cabinet](#) on page 25.
4. Install the Top Tray. For more information, refer to [Installing Top Trays on modular 2-Bag Bagwells](#) on page 32.

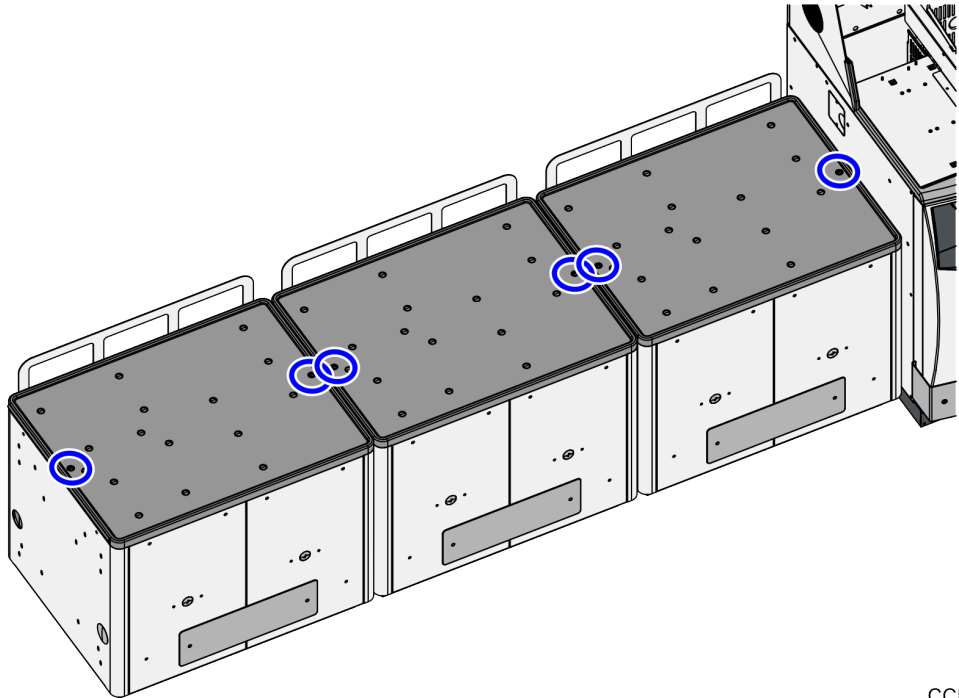
## Removing Top Trays from modular 2-Bag Bagwells

To remove Top Trays from the Bagwells, follow these steps:



**Note:** The illustrations in this procedure shows an NCR FastLane SelfServ™ Checkout (7358) unit with in-line group of three (3) Bagwells only as an example.

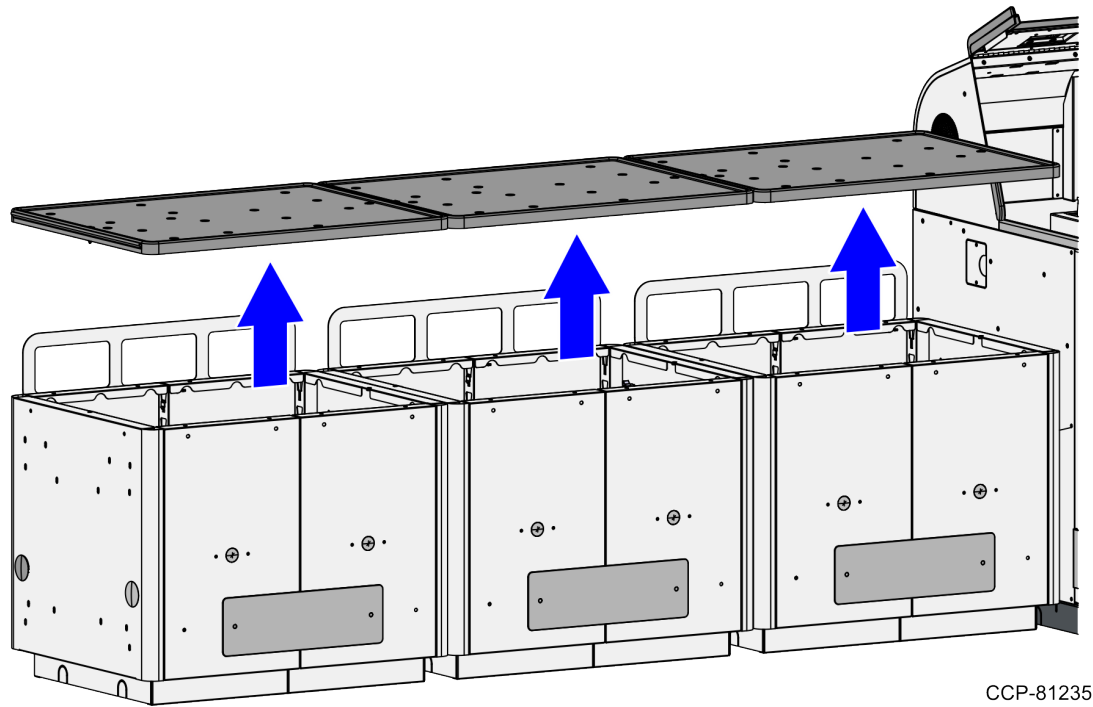
1. Loosen the captive screws at the ends of each Top Tray, as shown in the image below.



CCP-81233



2. Lift each Top Tray from the Bagwell.

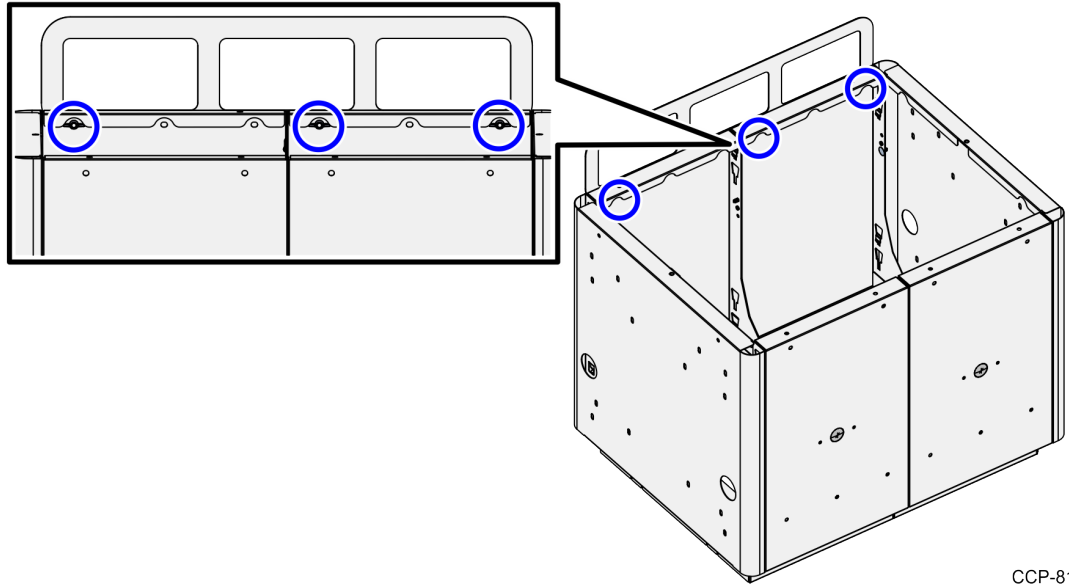


CCP-81235

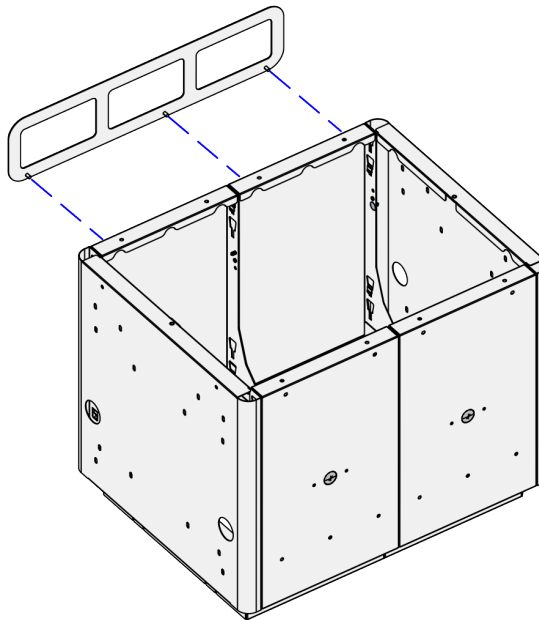
## Removing fence from the modular 2-Bag Bagwell

To remove the Bagwell fence, follow these steps:

1. Remove the Bagwell Top Tray. For more information, refer to [Removing Top Trays from modular 2-Bag Bagwells](#) on page 36.
2. Remove three (3) wing nuts that are securing the Rear Fence to the Bagwell.



3. Detach the Rear Fence from the Bagwell.



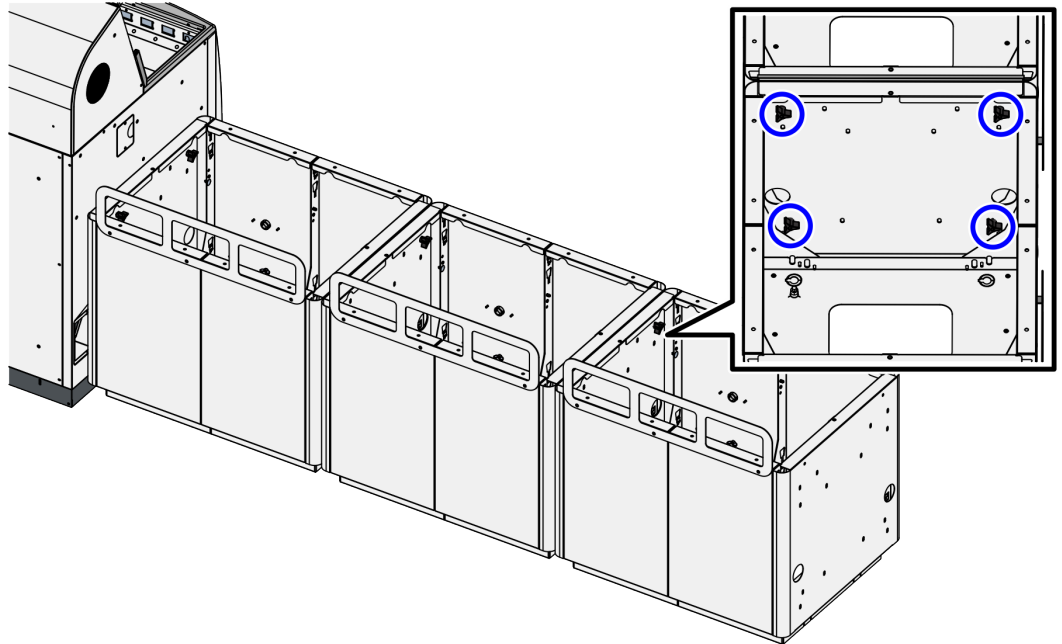
## Removing the modular 2-Bag Bagwell from a 7358 Core Cabinet

The 7358-K732 3-Pack 2-Bag Bagwell Module (Medium Gray) can be used either as three (3) single Bagwells or as an in-line group of three (3) Bagwells. This procedure shows how to remove the kit as an in-line group of three (3) Bagwells from the Core Cabinet of an NCR FastLane SelfServ™ Checkout (7358).

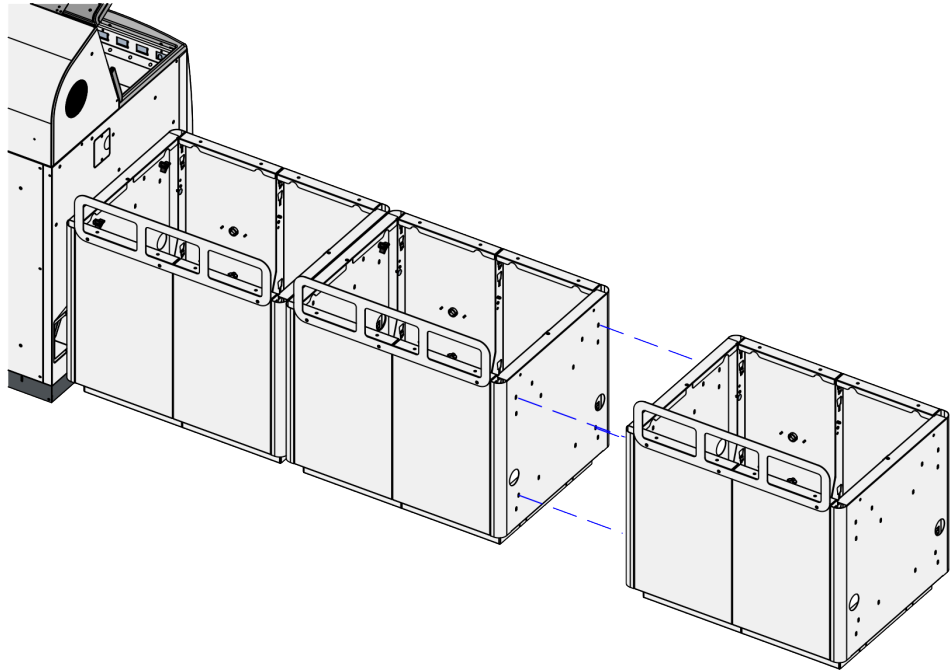


**Note:** The procedure uses the Right-hand (RH) orientation for reference.

1. Remove the Top Trays. For more information, refer to [Removing Top Trays from modular 2-Bag Bagwells](#) on page 36.
2. Remove the third Bagwell assembly by doing the following:
  - a. Remove four (4) 1/4-20 black knob screws and four (4) wing nuts to detach the Bagwell.



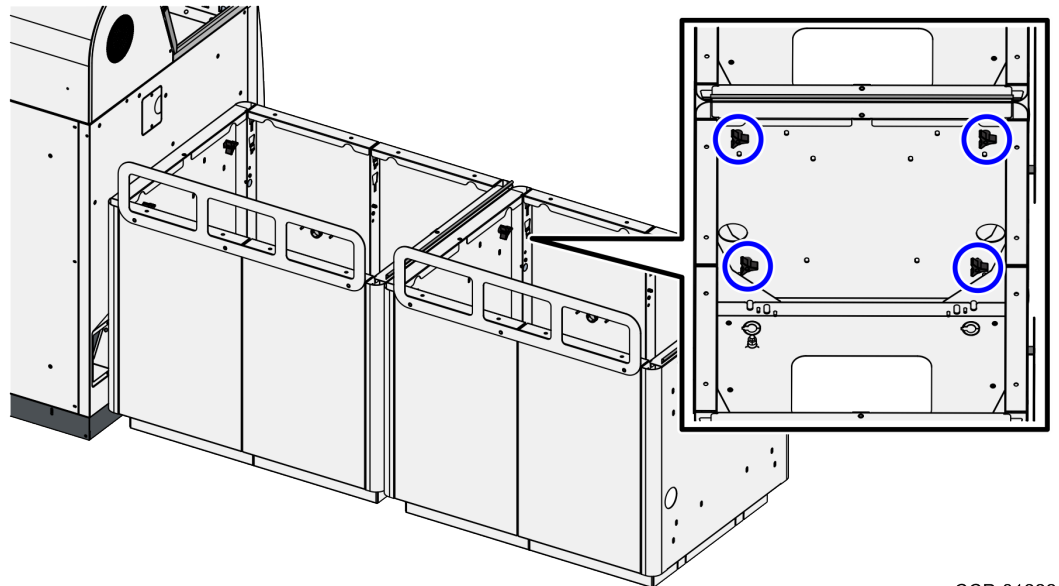
- b. Pull the Bagwell away from the second Bagwell.



CCP-81223

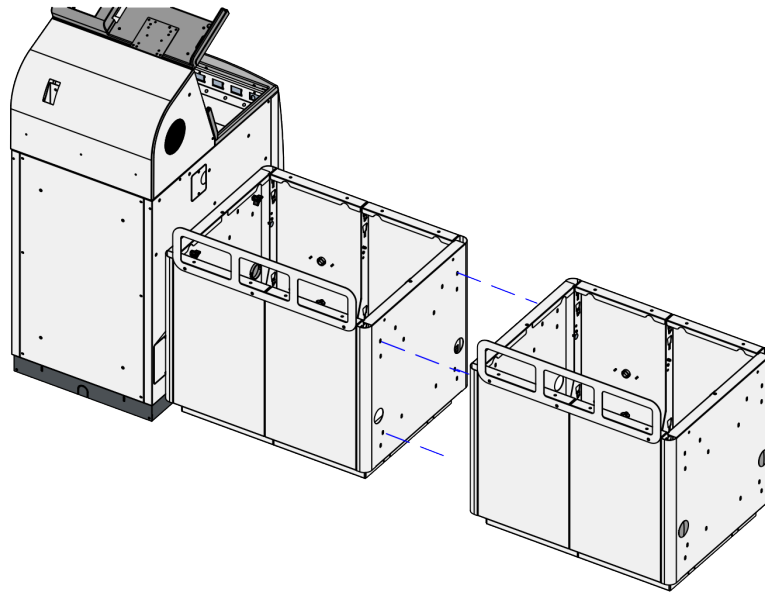
3. Remove the second Bagwell assembly by doing the following:

- a. Remove four (4)  $\frac{1}{4}$ -20 black knob screws and four (4) wing nuts to detach the Bagwell.



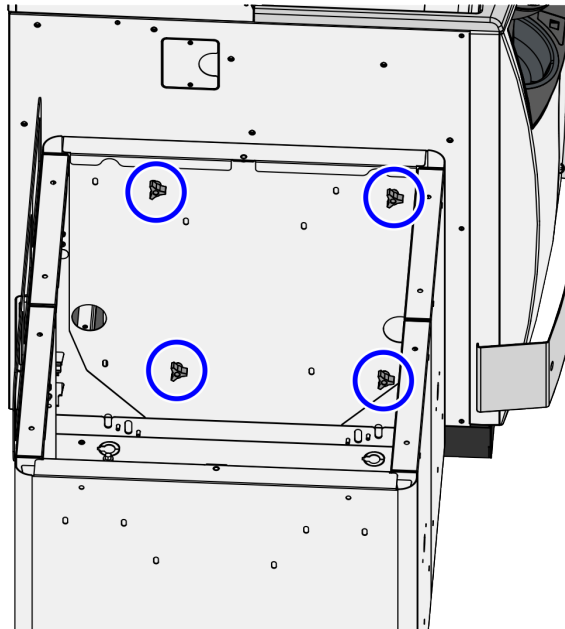
CCP-81222

- b. Pull the Bagwell away from the first Bagwell.



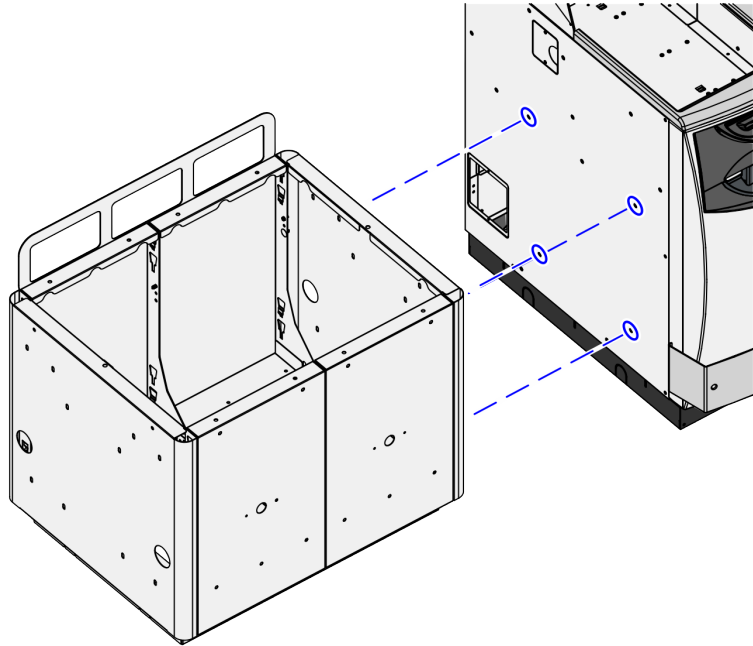
CCP-81221

4. Remove the first Bagwell assembly by doing the following:
  - a. Remove four (4)  $\frac{1}{4}$ -20 black knob screws to detach the Bagwell from the Core Cabinet.



CCP-80466

- b. Pull the Bagwell assembly away from the Core Cabinet, as shown in the image below.



CCP-80465

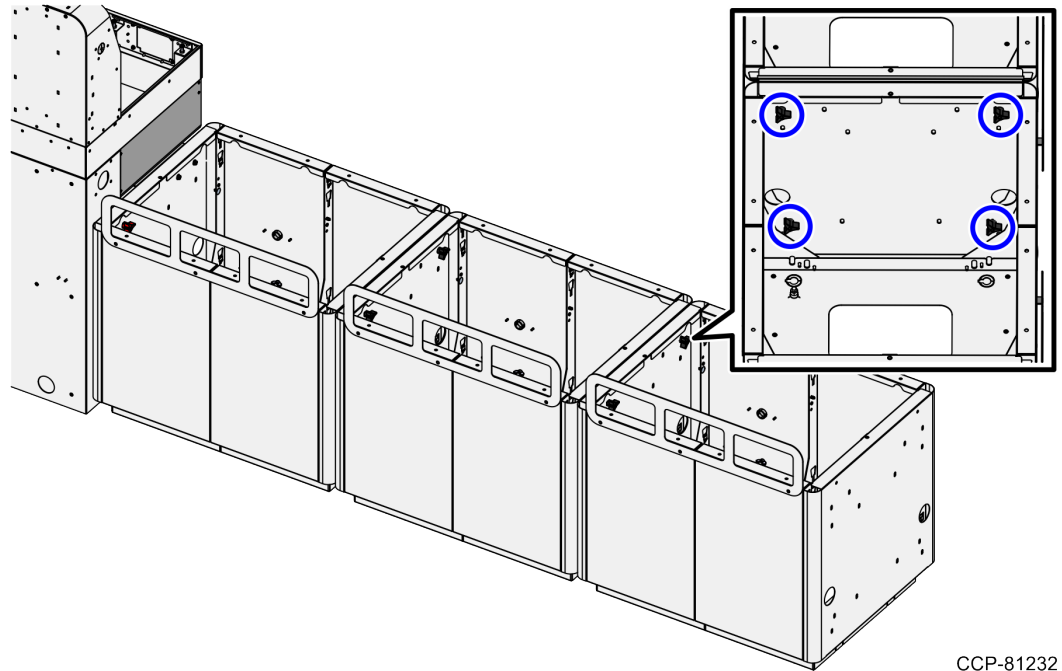
## Removing the modular 2-Bag Bagwell from a 7370 Pedestal Cabinet

The 7358-K732 3-Pack 2-Bag Bagwell Module (Medium Gray) can be used either as three (3) single Bagwells or as an in-line group of three (3) Bagwells. This procedure shows how to remove the kit as an in-line group of three (3) Bagwells from the Pedestal Cabinet of an NCR FastLane SelfServ™ Checkout (7370).



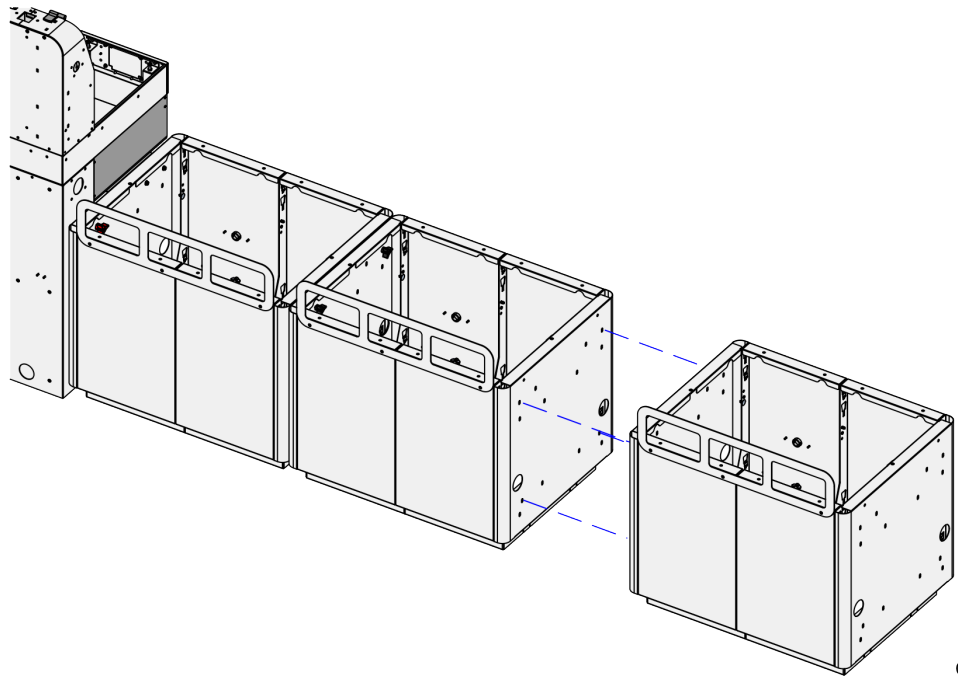
**Note:** The procedure uses the Right-hand (RH) orientation for reference.

1. Remove the third Bagwell by doing the following:
  - a. Remove four (4) 1/4-20 black knob screws to detach the Bagwell.



CCP-81232

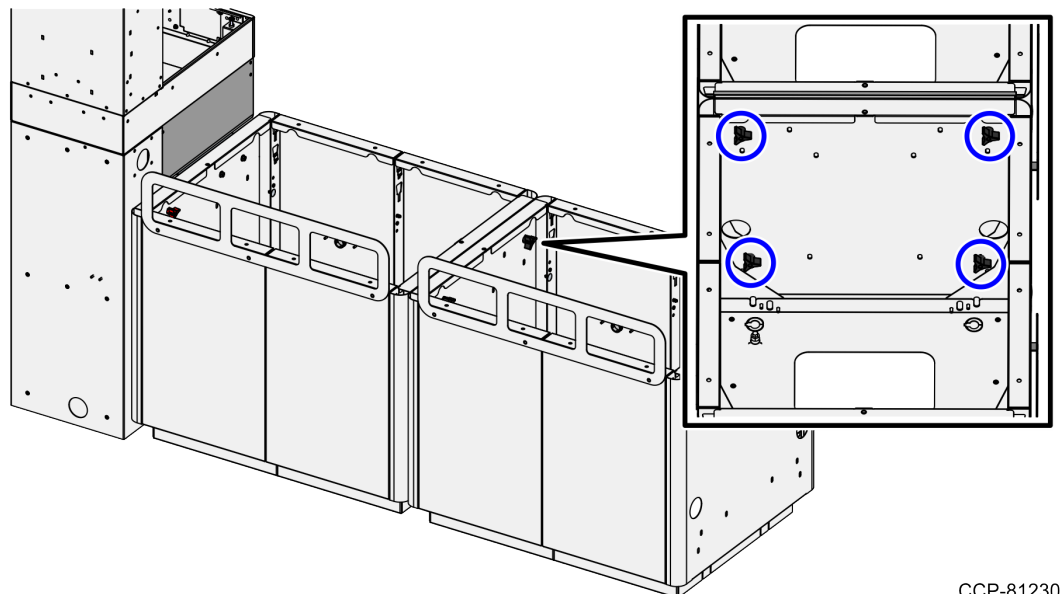
- b. Pull the Bagwell away from the second Bagwell.



CCP-81231

2. Remove the second Bagwell by doing the following:

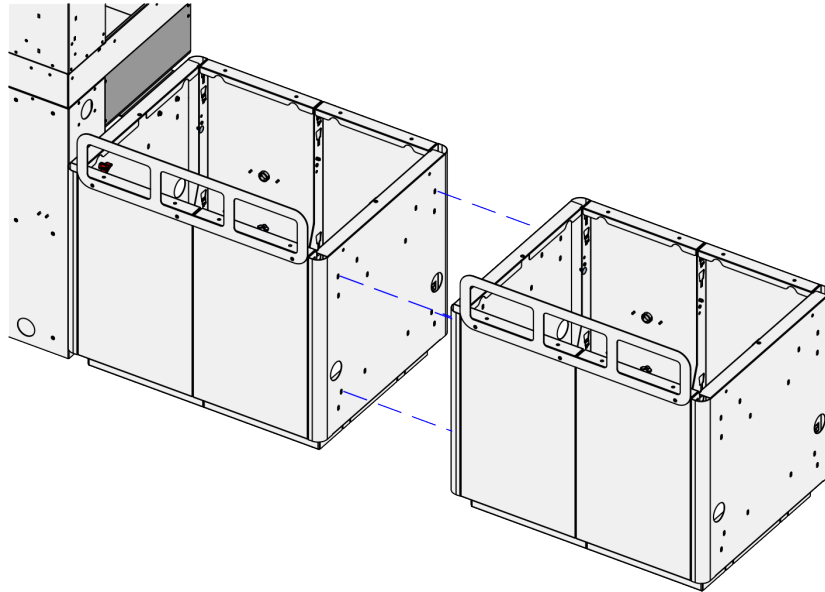
- a. Remove four (4)  $\frac{1}{4}$ -20 black knob screws and four (4) wing nuts to detach the Bagwell.



CCP-81230

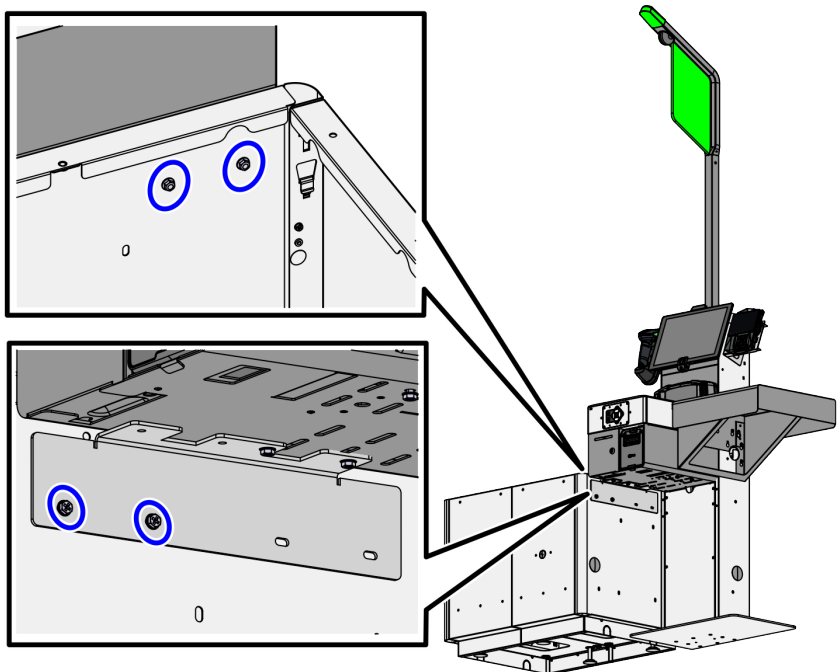


- b. Move the Bagwell away from the first Bagwell.



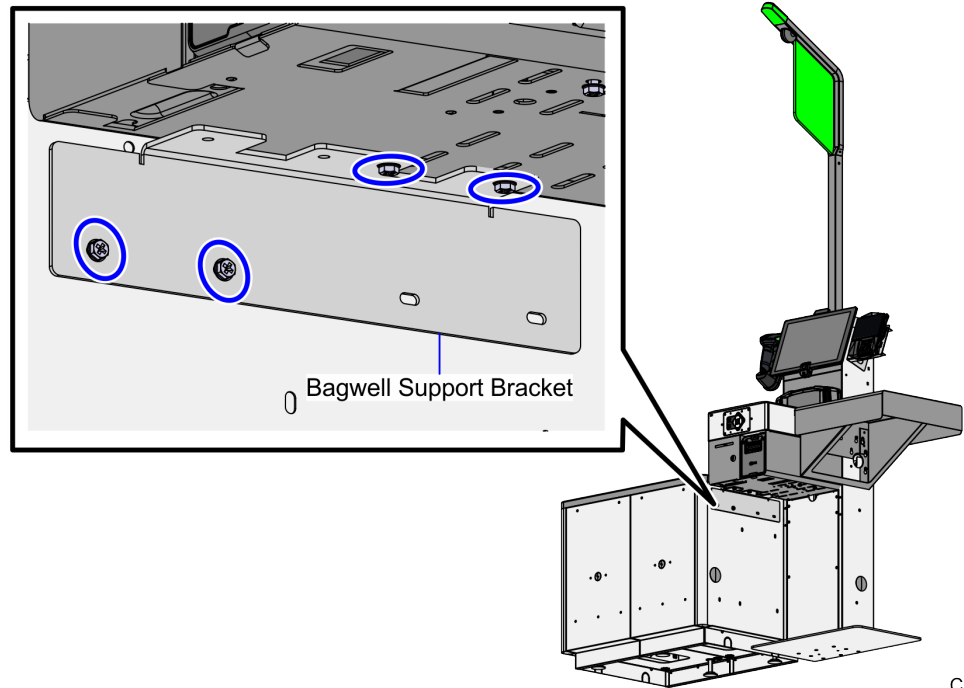
CCP-81229

- 3. Remove the Bagwell Support Bracket by doing the the following:
  - a. Remove the two (2) bolts and two (2) nuts, as shown in the image below.



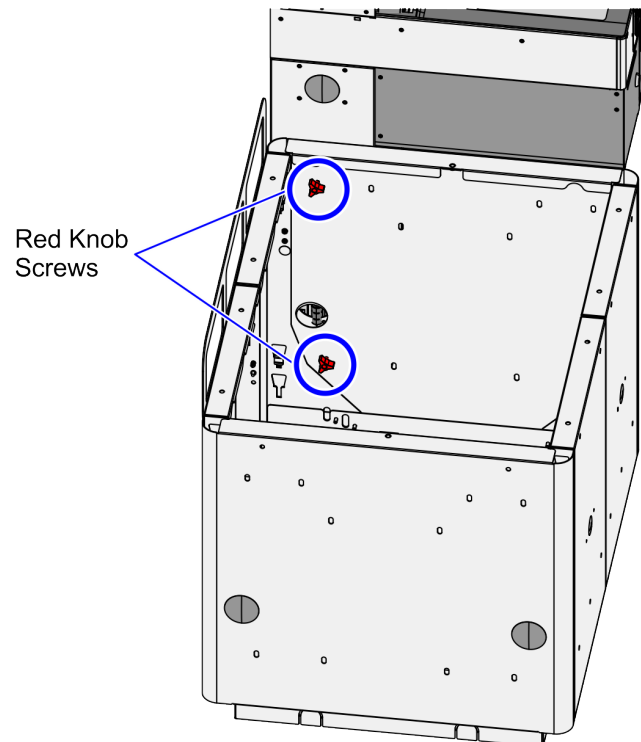
CCP-81219

- b. Remove two (2) bolts from the underside of the Scanner Bucket and two (2) bolts from the side of the Bagwell to detach the Bagwell Support Bracket.



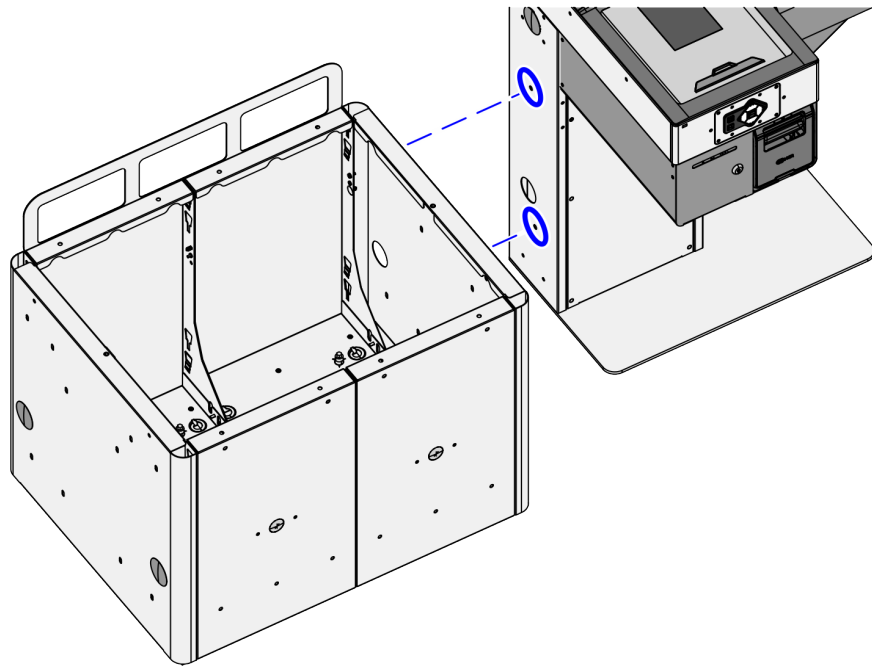
CCP-81218

4. Remove the first Bagwell from the Core Cabinet by doing the following:
  - a. Remove two (2) M6 red knob screws to detach the Bagwell.



CCP-80494

- b. Pull the Bagwell away from the Pedestal, as shown in the image below.



CCP-80493

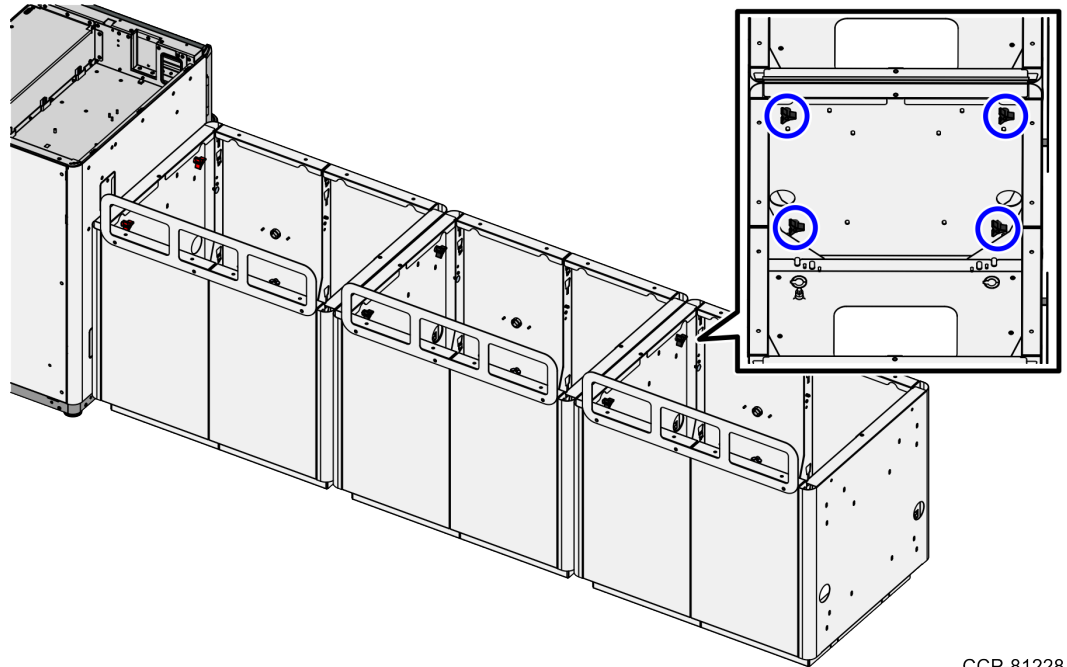
## Removing the modular 2-Bag Bagwell from a 7360 Core Cabinet

The 7358-K732 3-Pack 2-Bag Bagwell Module (Medium Gray) can be used either as three (3) single Bagwells or as an in-line group of three (3) Bagwells. This procedure shows how to remove the kit as an in-line group of three (3) Bagwells from the Core Cabinet of an NCR FastLane SelfServ™ Checkout (7360), follow these steps:

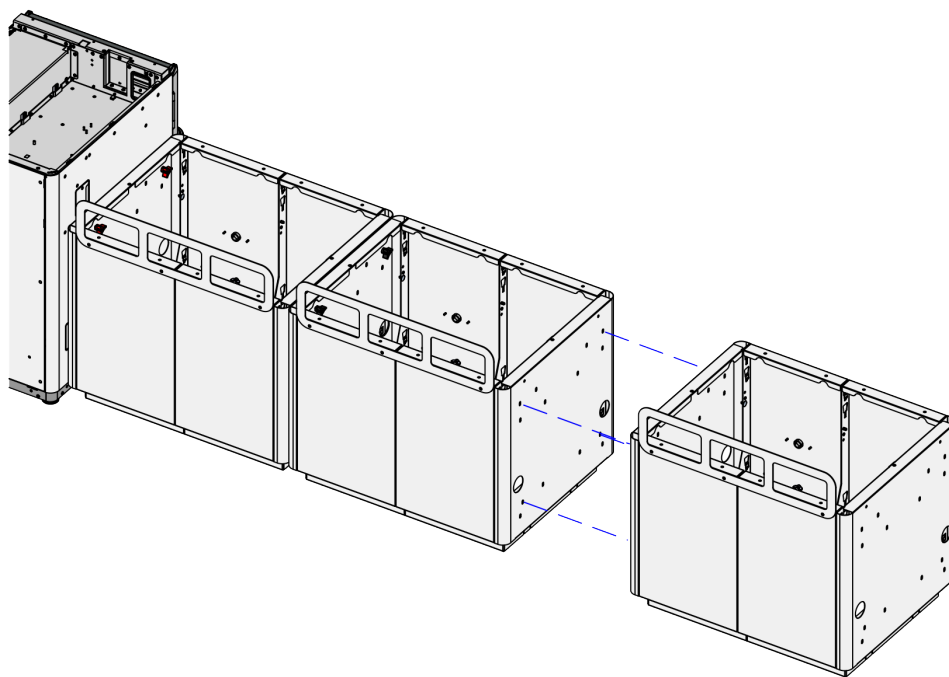


**Note:** The procedure uses the Right-hand (RH) orientation for reference.

1. Remove the Top Trays. For more information, refer to [Removing Top Trays from modular 2-Bag Bagwells](#) on page 36.
2. Remove the third Bagwell by doing the following:
  - a. Remove four (4) 1/4-20 black knob screws and four (4) wing nuts to detach the Bagwell.



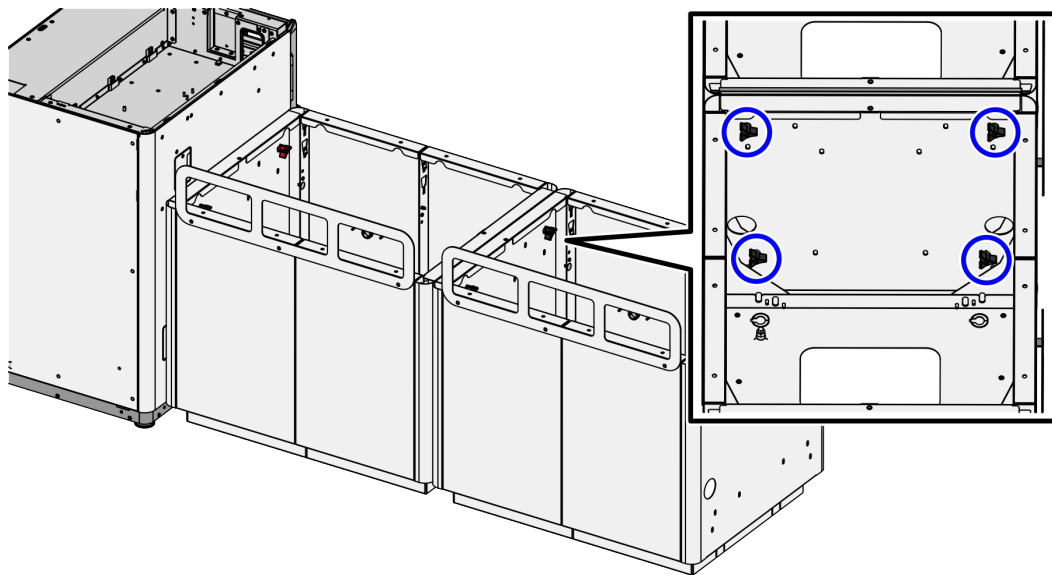
- b. Pull the Bagwell away the second Bagwell.



CCP-81227

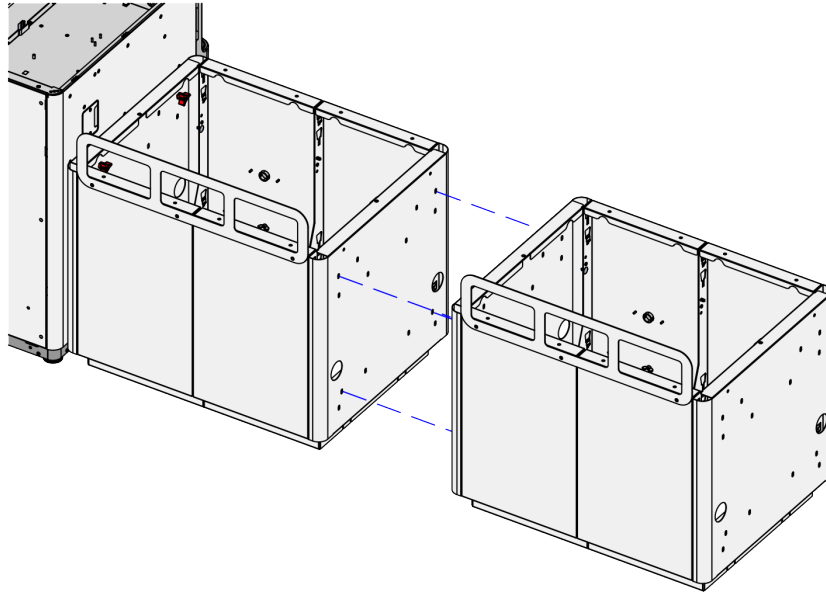
3. Remove the second Bagwell by doing the following:

- a. Remove four (4) 1/4-20 black knob screws to detach the Bagwell.



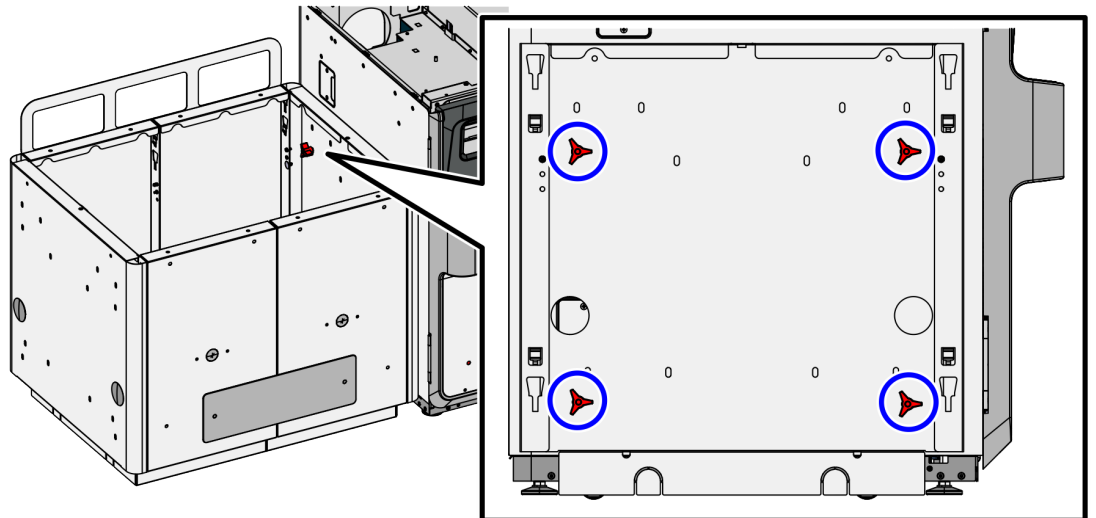
CCP-81226

- b. Pull the Bagwell away from the first Bagwell.



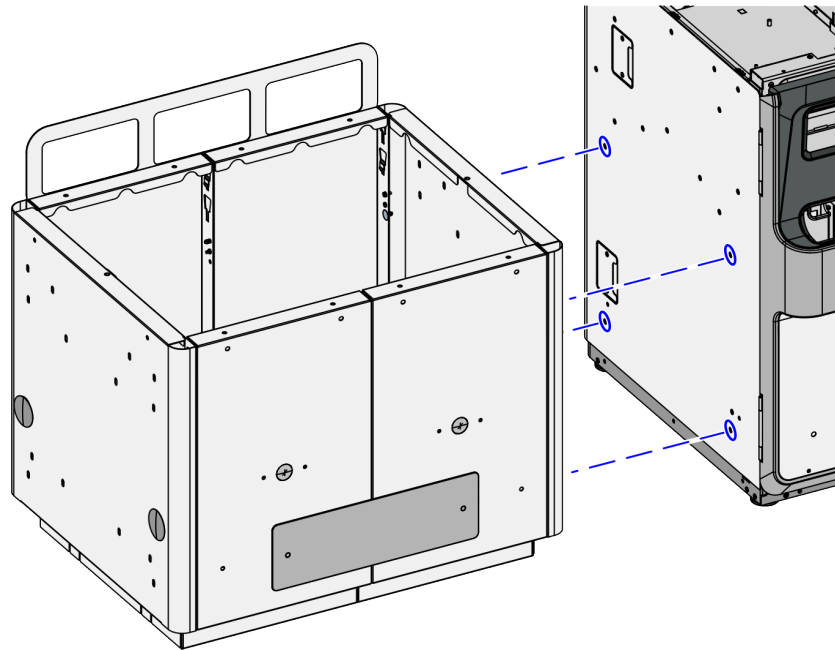
CCP-81225

4. Remove four (4) M6 red knob screws to detach the Bagwell from the Core Cabinet.



CCP-81215

5. Pull the Bagwell away from the Core Cabinet, as shown in the image below.



CCP-81214

