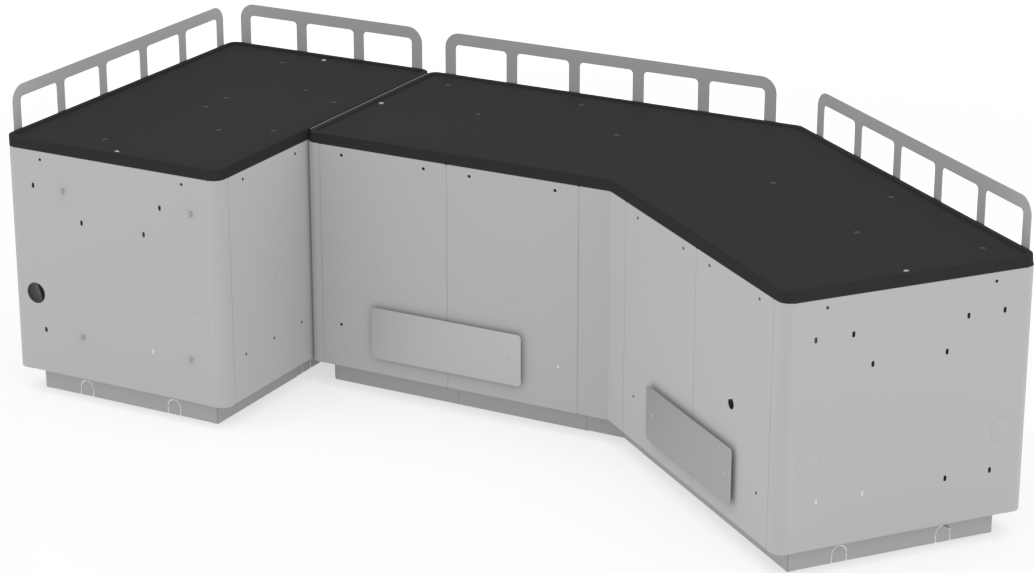


Kit Instructions

2-Pack Large Basket Module (Medium Gray)



7358-K705
Issue B



The product described in this document is a licensed product of NCR Corporation.

NCR is a registered trademark of NCR Corporation. NCR FastLane SelfServ™ Checkout is a trademark of NCR Corporation in the United States and/or other countries. Other product names mentioned in this publication may be trademarks or registered trademarks of their respective companies and are hereby acknowledged.

The terms HDMI and HDMI High-Definition Multimedia Interface, and the HDMI Logo are trademarks or registered trademarks of HDMI Licensing LLC in the United States and other countries.

Where creation of derivative works, modifications or copies of this NCR copyrighted documentation is permitted under the terms and conditions of an agreement you have with NCR, NCR's copyright notice must be included.

It is the policy of NCR Corporation (NCR) to improve products as new technology, components, software, and firmware become available. NCR, therefore, reserves the right to change specifications without prior notice.

All features, functions, and operations described herein may not be marketed by NCR in all parts of the world. In some instances, photographs are of equipment prototypes. Therefore, before using this document, consult with your NCR representative or NCR office for information that is applicable and current.

To maintain the quality of our publications, we need your comments on the accuracy, clarity, organization, and value of this book. Please use the link below to send your comments.

Email: FD230036@ncr.com

Copyright © 2021
By NCR Corporation
Global Headquarters
864 Spring St. NW
Atlanta, GA 30308
United States
All Rights Reserved

Revision Record

Issue	Date	Remarks
A	Mar 2021	First Issue
B	May 2021	<ul style="list-style-type: none">• Updated illustration and part numbers in the Kit Contents section.• Updated procedures.• Added procedures for NCR FastLane SelfServ™ Checkout (7370).

2-Pack Large Basket Module (Medium Gray)

This publication provides the steps for installing a Large Basket Module from the 7358-K705 2-Pack Large Basket Module (Medium Gray) to a SelfServ Checkout unit. The kit is designed using modules that are ready to be assembled at the site.

The NCR FastLane SelfServ™ Checkout with a Bagging Area (Bagwell) Module or Large Basket (Basket) Module can be configured for either Left-hand (LH) orientation or Right-hand (RH) orientation, which refers to the direction customers scan and bag items.

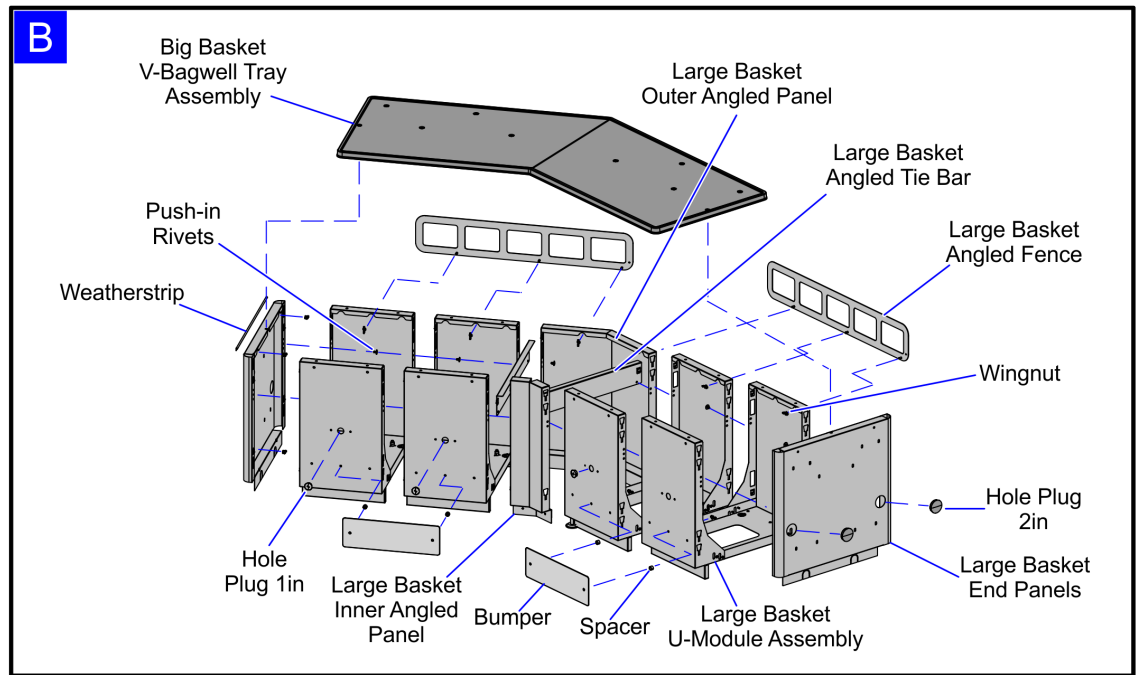
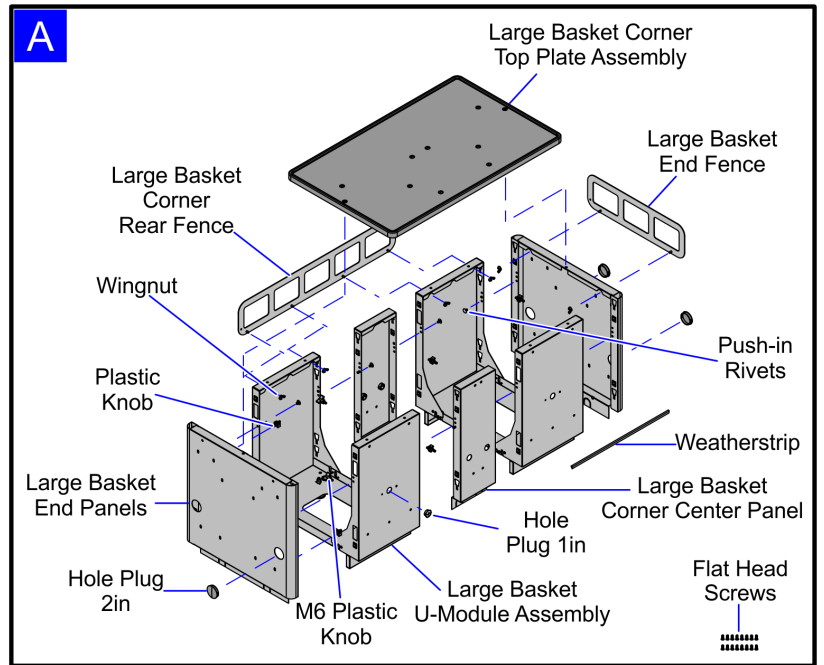
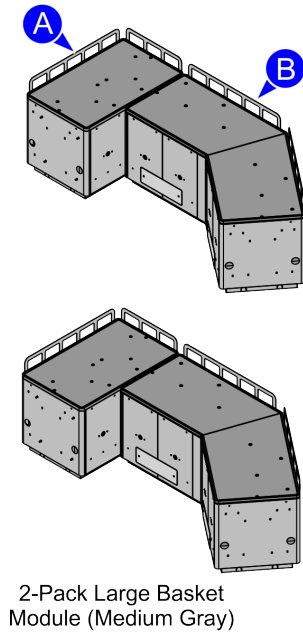
- **Left-hand (LH) orientation**—Customers scan from left to right.
- **Right-hand (RH) orientation**—Customers scan from right to left.




Note: The orientation of the unit is determined by the position of the Lower Core (Cabinet) Module in relation to the Bagging Area (Bagwell) Module or Large Basket (Basket) Module.

Example: The Left-hand (LH) unit has the Cabinet positioned on the left side of the Bagwell or Basket.








Kit Contents



CCP-80568

	Part Number	Description
	497-0530587	Large Basket Kit (WM Medium Gray) - 2 Pack
	497-0530518	Hole Plug, 2.000", WM Medium Gray (10 pcs)

	Part Number	Description
	006-8627877	Push In Rivet, 0.25", Black (50 pcs)
	006-8627878	Wingnut, 1/4-20, Zinc-Plated Steel (40 pcs)
	006-8628097	Plastic Knob, 1/4-20 X 5/8" Steel Stud (16 pcs)
	497-0530517	Hole Plug, 1.000", Wm Medium Gray (12 pcs)
	006-8627935	Screw, Flat Head, M6 X 16Mm L, Steel (32 pcs) Note: If needed, use these screws to mount Bag Racks on the Top Trays.
	497-0457054	Black Nylon Spacer 15Mm Od X 10.4Mm Id X 10Mm L (8 pcs)
	497-0528528	Large Basket, Angled Tie-Bar (4 pcs)
	497-0528530	Large Basket Bumper (4 pcs)
	497-0528558	Large Basket, Corner Rear Fence (2 pcs)
	497-0528559	Large Basket, End Fence (2 pcs)
	497-0528560	Large Basket, Angled Fence (4 pcs)
	497-0529344	Large Basket, Corner Top-Plate Assembly (2 pcs)
	497-0530064	Big Basket V-Bagwell Tray Assy (2 pcs)
	497-0529289	Silicon Rubber Adhesive-Backed Weatherstrip, 540Mm L (4 pcs)

	Part Number	Description
	795-0291828	Large Basket End Panel (WM Medium Gray) (8 Pcs)
	795-0286628	Large Basket, Outer Angled Panel (WM Medium Gray) (2 pcs)
	795-0286728	Large Basket, Inner Angled Panel (WM Medium Gray) (2 pcs)
	795-0286828	Large Basket, Corner Center Panel (WM Medium Gray) (4 pcs)
	795-0287628	Hole Cover Label For LBSCO (WM Medium Gray) (4 pcs)
	795-0287828	Large Basket U-Module Assembly (WM Medium Gray) (12 pcs)
	006-8628098	Plastic Knob, Red, M6X1 Mm X 15Mm, Steel Stud (8 pcs)
*	497-0423108	Instructions Kit (Reference Sheet)

* Items marked with an asterisk are not called out on the image.

Shipping Dimension and Weight

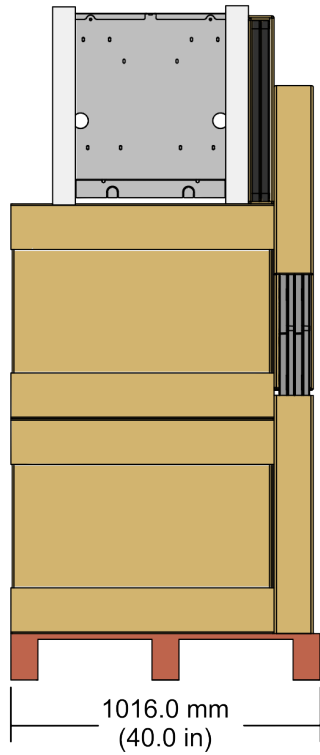
This section shows the approximate shipping dimension and weight for the 7358-K705 2-Pack Large Basket Module (Medium Gray).



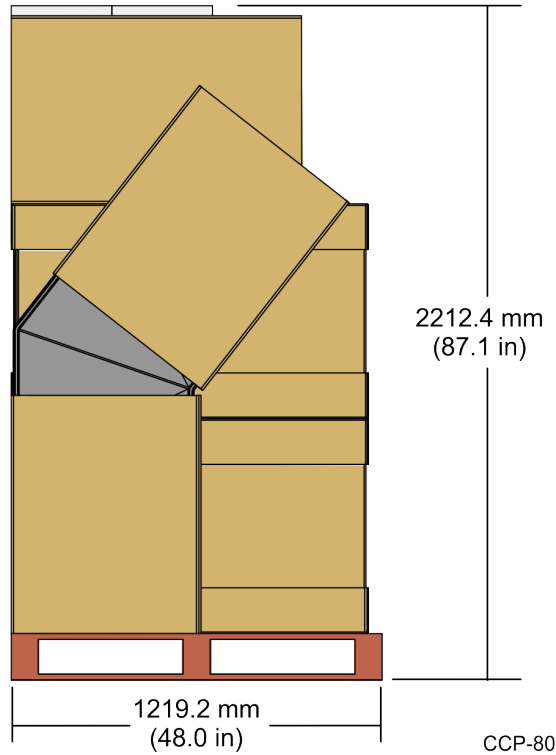
Note: These values are for reference only.

Shipping Dimension			Shipping Weight	
Height	Length	Width	Pounds (lbs)	Kilograms (kgs)
2212.4 mm (87.10 in)	1016.0 mm (40 in)	1219.2 mm (48 in)	505 lbs	229.06 kgs

Side View



Front View



CCP-80238

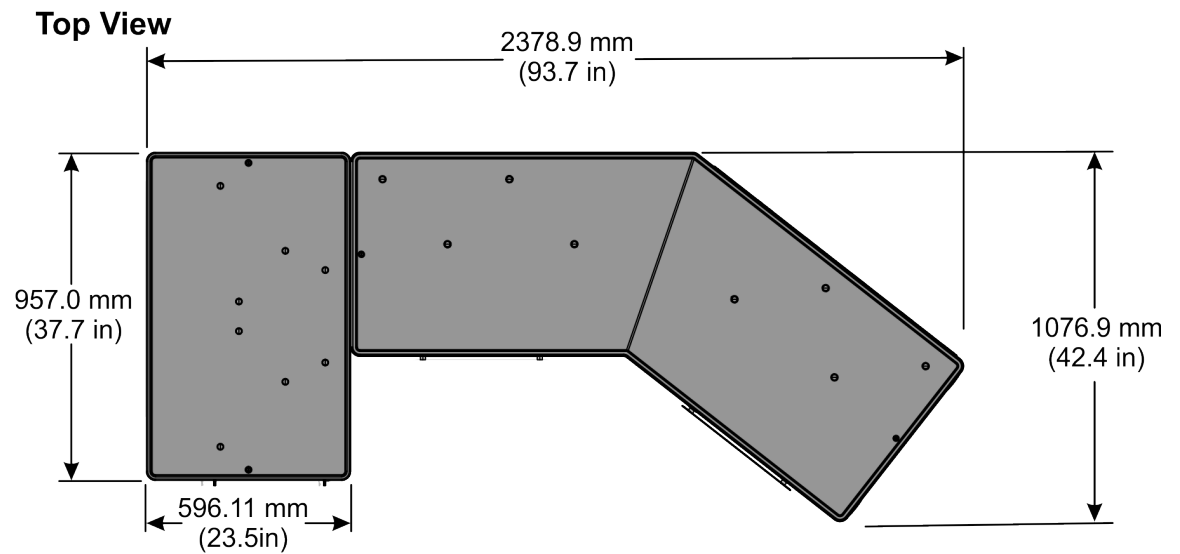
Module Dimension and Weight

This section shows the approximate dimension and weight of the 7358-K705 2-Pack Large Basket Module (Medium Gray).

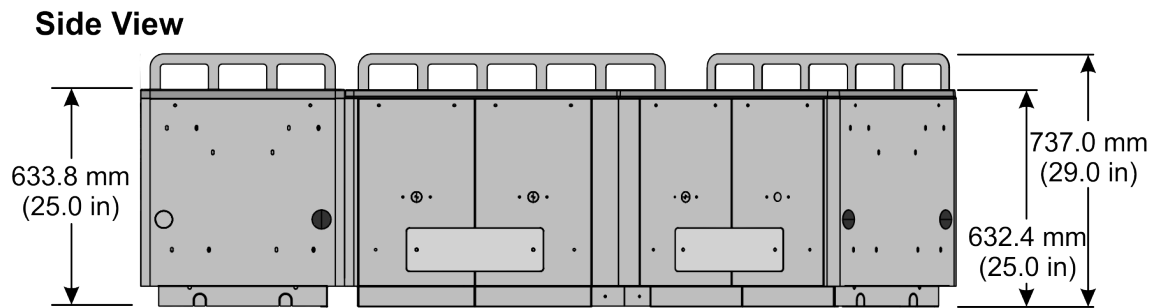


Note: These values are for reference only.

Dimension (1 Module)			Weight (1 Module)	
Height	Length	Width	Pounds (lbs)	Kilograms (kgs)
737.0 mm (29.02 in)	2378.9 mm (93.66 in)	1076.9 mm (42.40 in)	203.0 lbs	92.08 kgs



CCP-80241



CCP-80242

Required Tools

The 7358-K705 2-Pack Large Basket Module (Medium Gray) is designed to be assembled without tools. But, if a push-in rivet needs to be removed NCR recommends using any of the following tools:

- wire cutter
- flat-head screwdriver
- pliers

Installation Procedures

Installing the 7358-K705 2-Pack Large Basket Module (Medium Gray) involves the following procedures:

1. [Setting Up Modular Large Basket Corner Bagwell \(Corner Bagwell\)](#) on page 22.
2. [Installing Corner Bagwell Assembly \(7358\)](#) on page 30.
3. [Installing Corner Bagwell Fences](#) on page 28.
4. [Setting Up Modular Large Basket Angled Bagwell \(V-Bagwell\)](#) on the facing page.
5. [Installing V-Bagwell Fences](#) on page 17.
6. [Installing V-Bagwell Bumpers](#) on page 20.
7. [Installing V-Bagwell Assembly](#) on page 34.
8. [Installing Modular Large Basket Bagwell Top Trays](#) on page 36.

Setting Up Modular Large Basket Angled Bagwell (V-Bagwell)

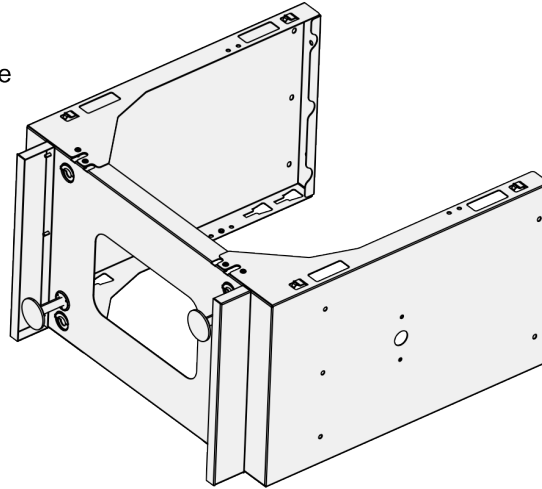
To set up the modular Large Basket Angled Bagwell (V-Bagwell), follow these steps:



Note: The procedure uses the Right-hand (RH) orientation for reference.

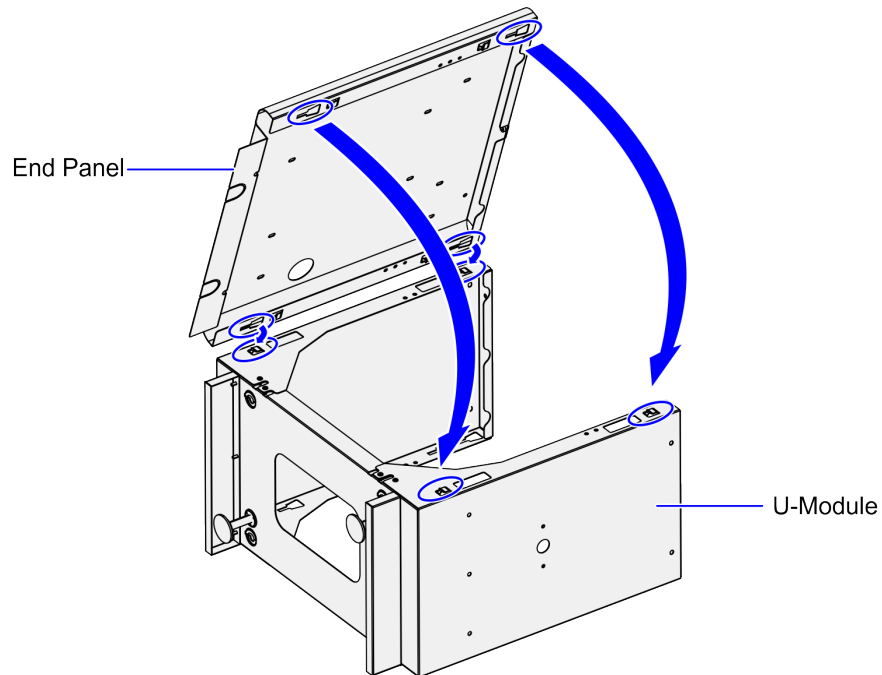
1. Lay the U-Module on its side as shown in the image below.

Large Basket U-Module



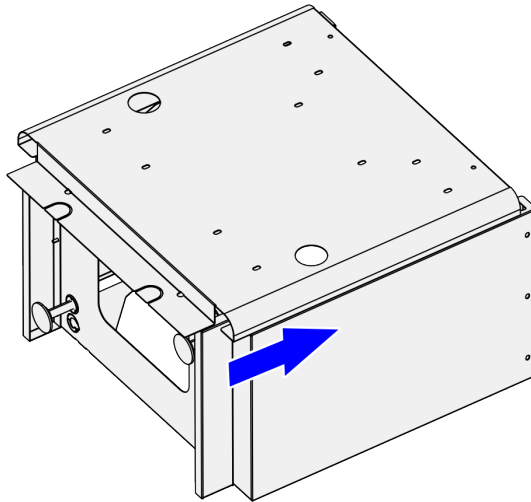
CCP-80284

2. Attach the End Panel by doing the following:
 - a. Align and insert the hooks (two on each side) of the End Panel to the corresponding slots on the U-Module.



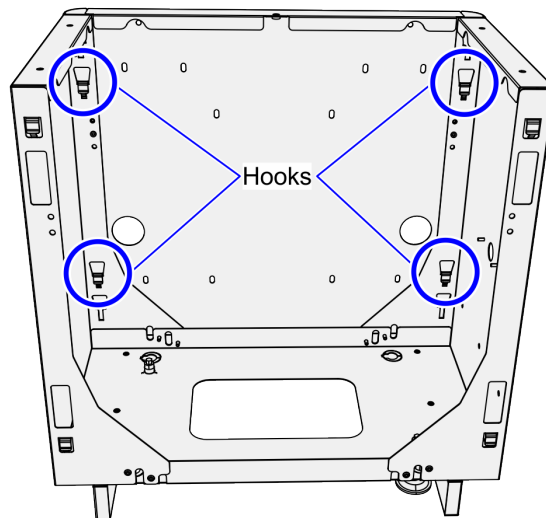
CCP-80285

- b. Slide the End Panel to engage the hooks into the U-Module slots. Ensure that the End Panel snaps in place.



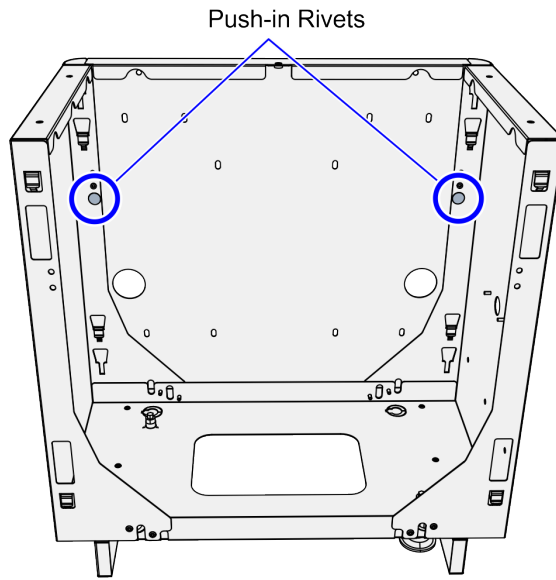
CCP-80286

- c. Verify that all hooks are properly engaged.



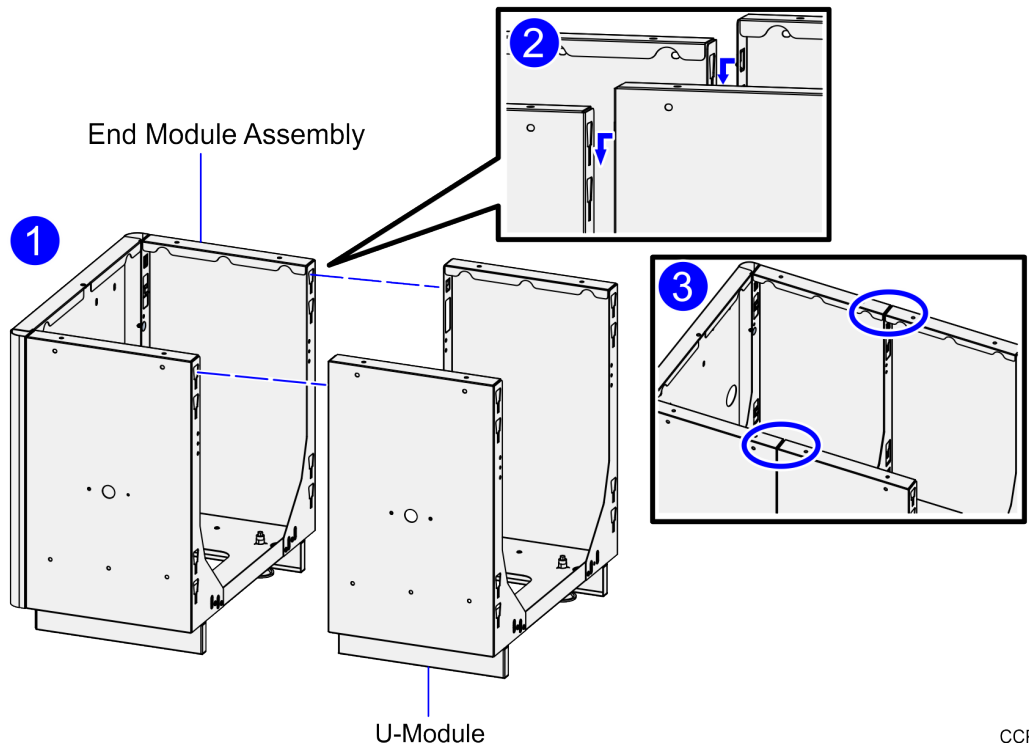
CCP-80287

- d. Fasten the End Panel and U-Module together using two (2) push-in rivets.



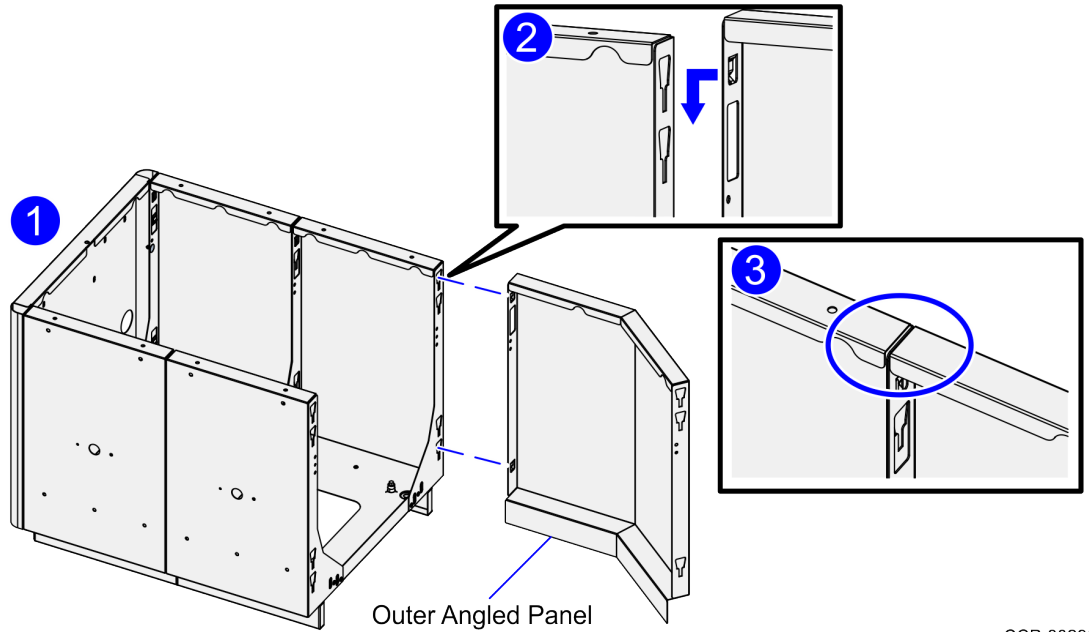
CCP-80288

- 3. Slightly lift the U-Module to align its slots with the hooks (two on each side) of the End Module assembly, and then slide down to engage the hooks. Ensure that the Modules are secure and well-aligned.



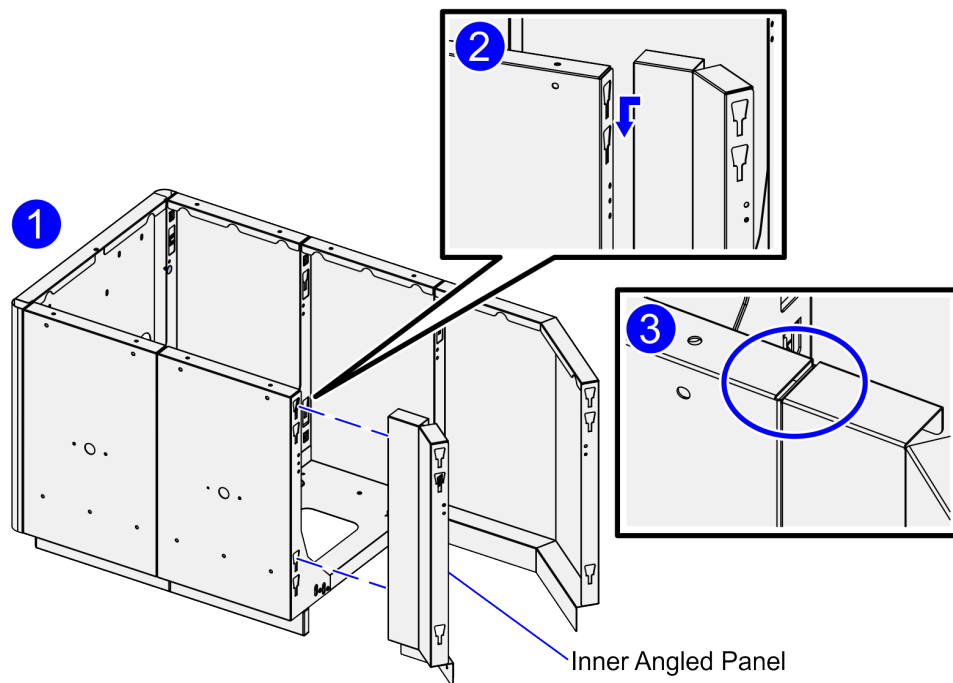
CCP-80289

4. Slightly lift the Outer Angled Panel to align its slots with the hooks of the U-Module assembly, and then slide down to engage the hooks. Ensure that the Modules are secure and well-aligned.



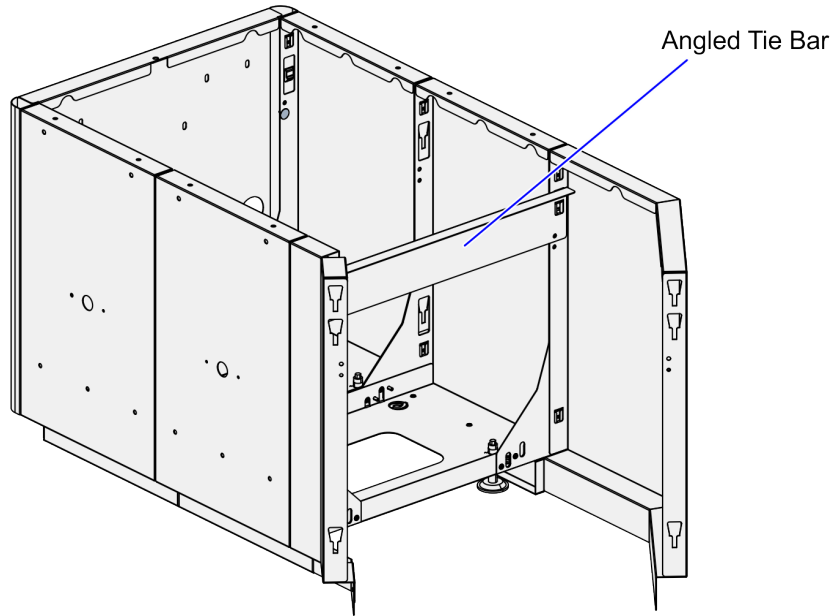
CCP-80290

5. Slightly lift the Inner Angled Panel to align its slots with the hooks of the End Module assembly, and then slide down to engage the hooks. Ensure that the Modules are secure and well-aligned.



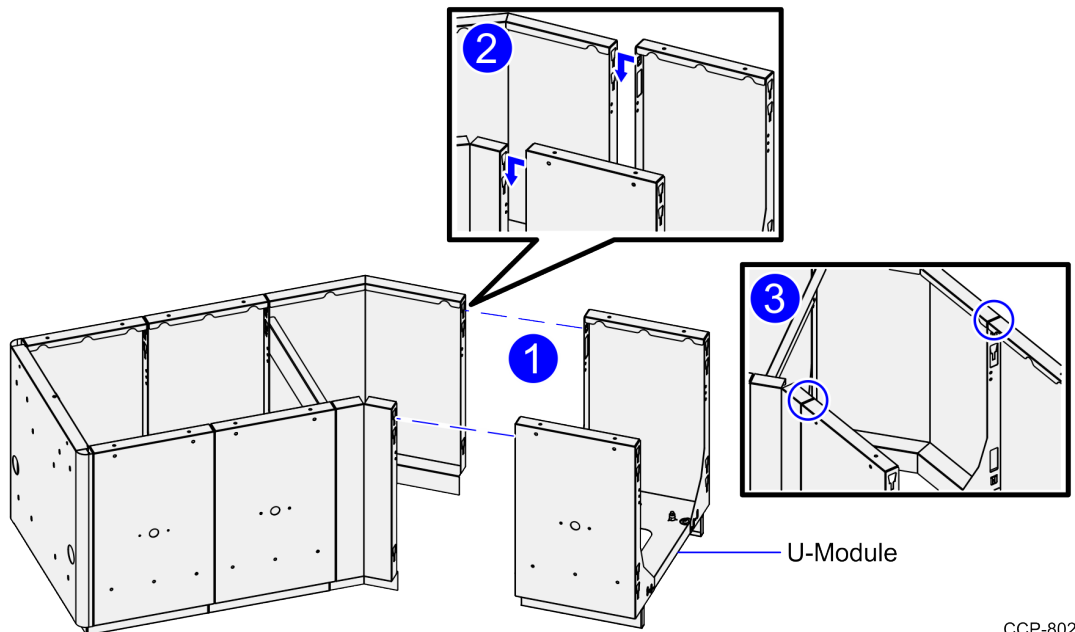
CCP-80291

6. Install an Angled Tie Bar as a frame stiffener between the U-Module and Angled Panels. Ensure that the Tie Bar hooks are properly engaged.



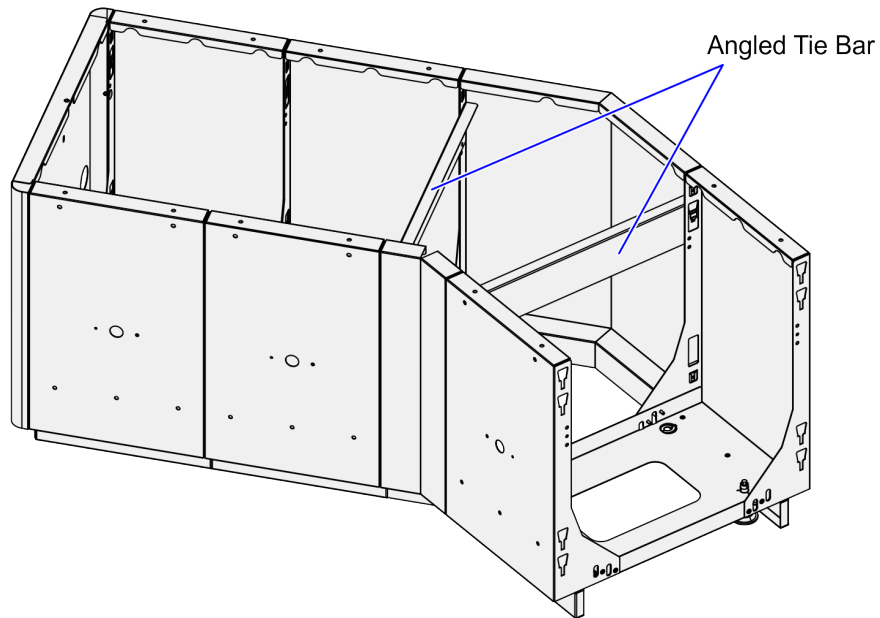
CCP-80292

7. Slightly lift the U-Module to align its slots with the hooks (two on each side) of the Angled Panels, and then slide down to engage the hooks. Ensure that the Modules are secure and well-aligned.



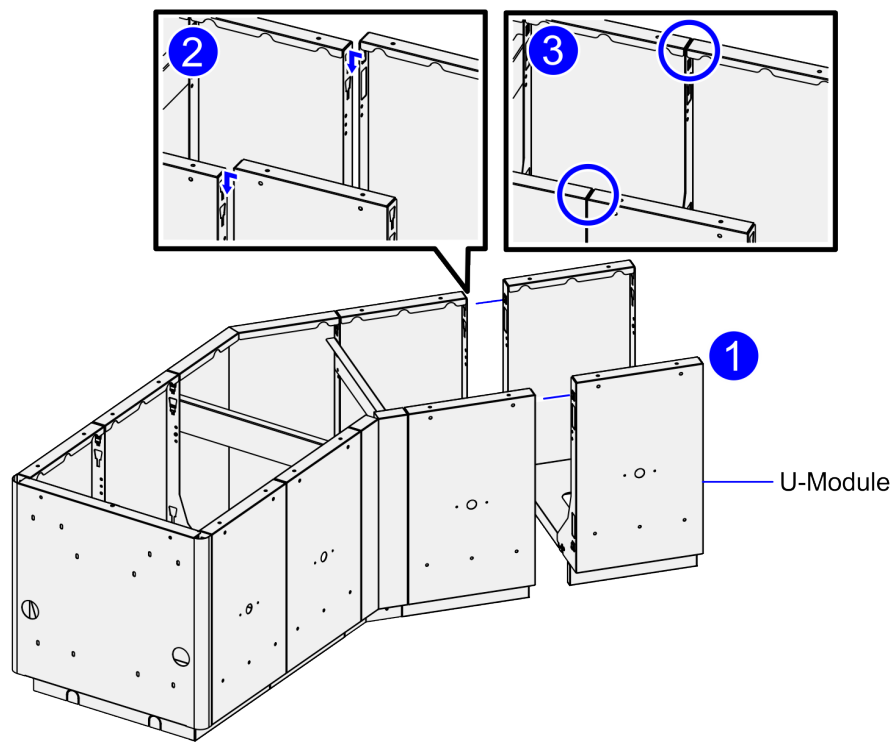
CCP-80293

8. Install an Angled Tie Bar as a frame stiffener between the U-Module and Angled Panels. Ensure that the Tie Bar hooks are properly engaged.



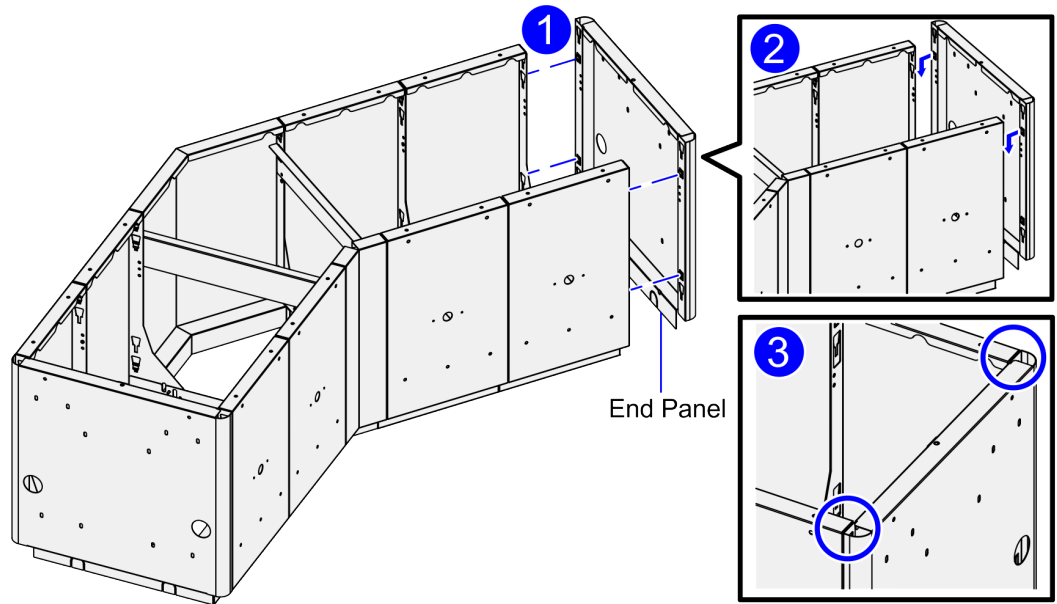
CCP-80294

9. Slightly lift the U-Module to align its slots with the hooks (two on each side) of the U-Module assembly, and then slide down to engage the hooks. Ensure that the Modules are secure and well-aligned.



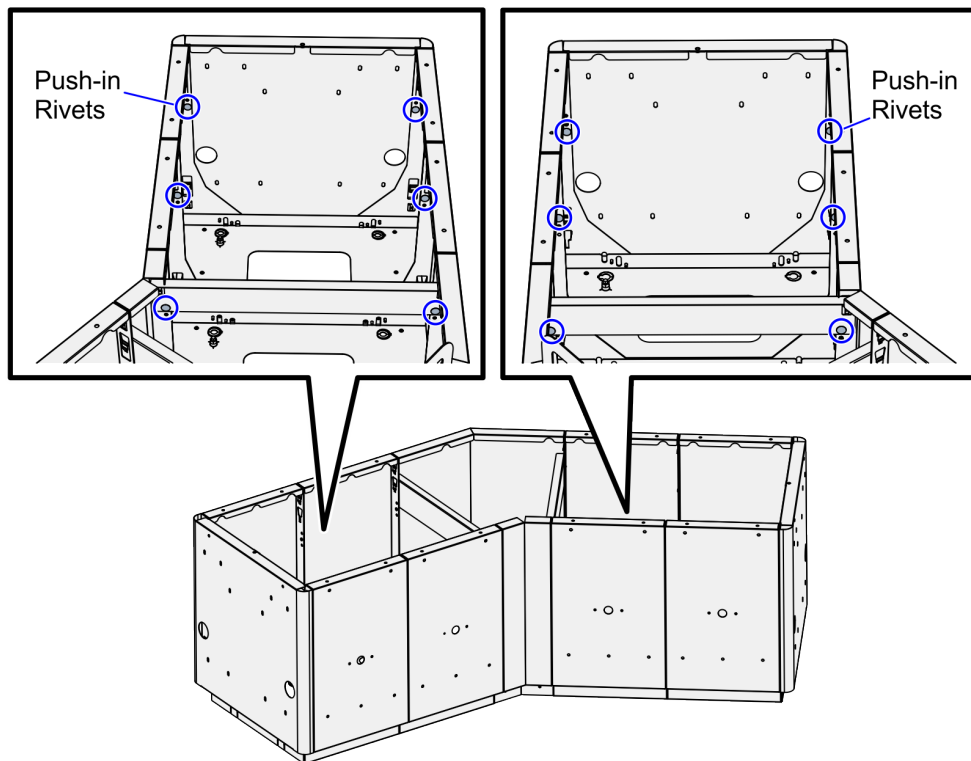
CCP-80295

10. Attach the End Panel to the U-Module assembly by aligning its slots with the hooks (two on each side) of the U-Module assembly, and then slide down to engage the hooks. Ensure that the Modules are secure and well-aligned.



CCP-80296

11. Secure each module and tie bar connection using Push-in Rivets (one on each side) through the holes below the upper hooks, as shown in the example below.



CCP-80413

12. Do any the following:

- Install the Angled Bagwell Fences. For more information, refer to [Installing V-Bagwell Fences](#) on the facing page.
- Install the Bagwell Bumpers. For more information, refer to [Installing V-Bagwell Bumpers](#) on page 20.
- Install the Angled Bagwell to the Corner Bagwell. For more information, refer to [Installing V-Bagwell Assembly](#) on page 34.

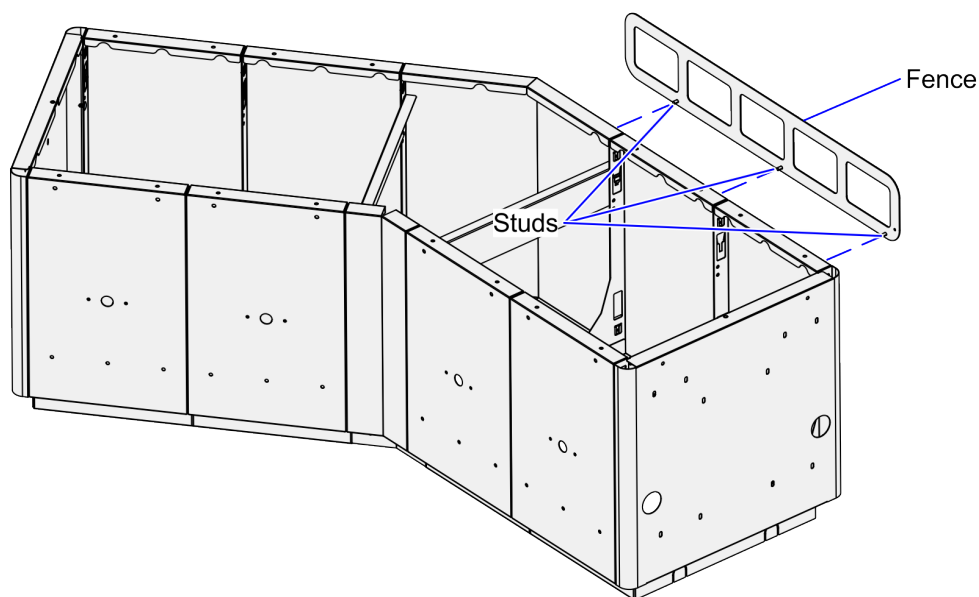
Installing V-Bagwell Fences

There are two fences to be installed on the V-Bagwell. To install the fences, follow these steps:

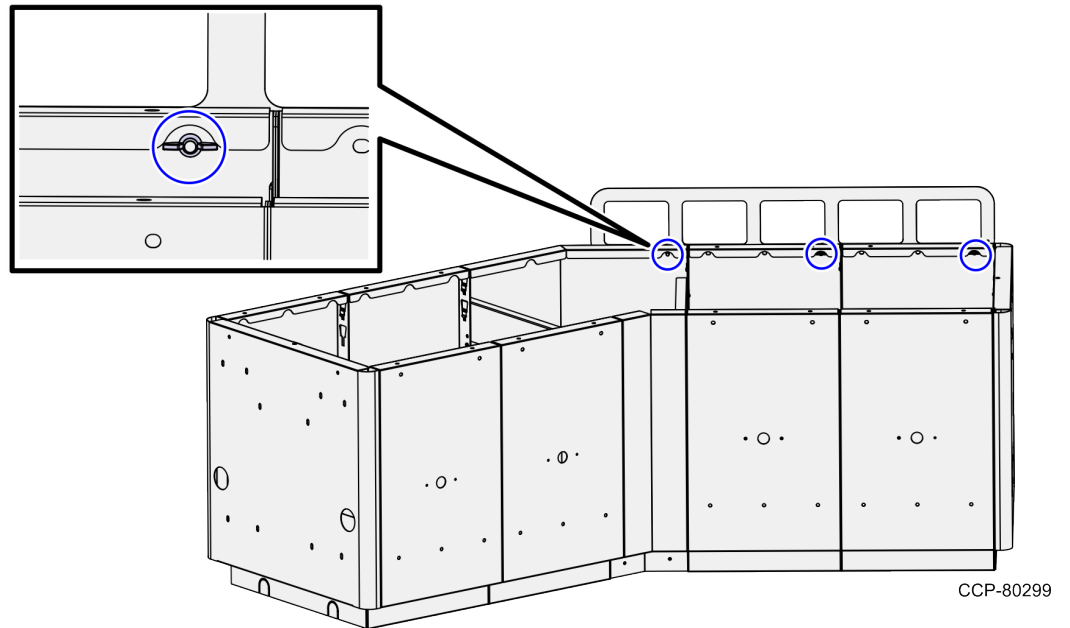


Note: For the purpose of illustration only, this procedure shows images using Right-hand (RH) orientation.

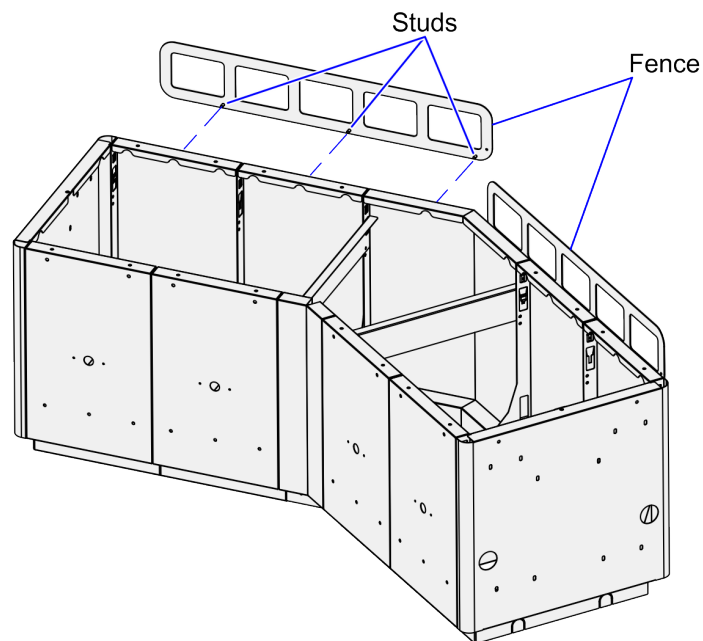
1. Assemble the V-Bagwell. For more information, refer to [Setting Up Modular Large Basket Angled Bagwell \(V-Bagwell\)](#) on page 9.
2. Insert the Fence studs into the corresponding holes on the Bagwell, as shown in the image below.



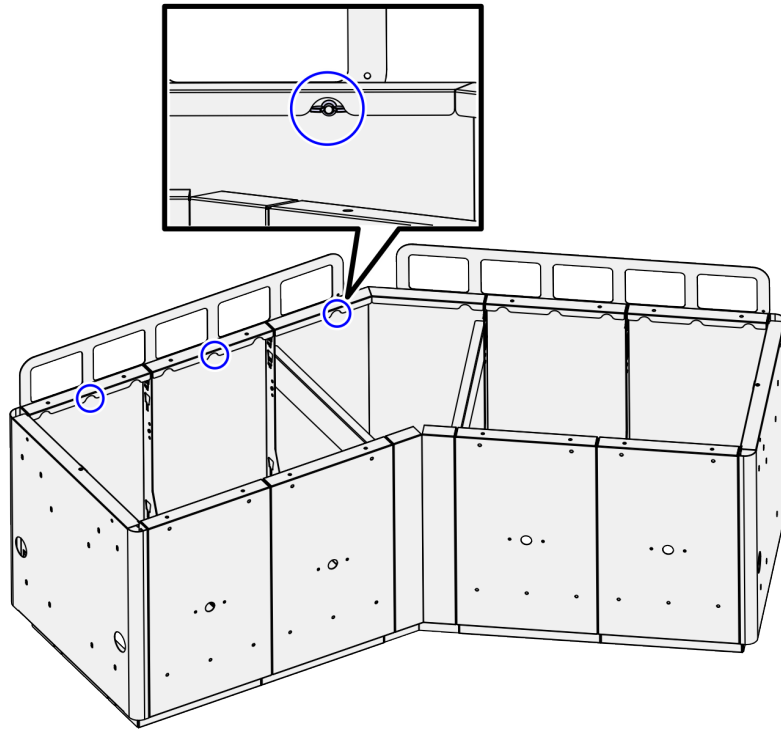
- Secure the Fence using three (3) wing nuts.



- Insert the Fence studs into the corresponding holes on the Bagwell, as shown in the image below.



5. Secure the Fence using three (3) wing nuts.



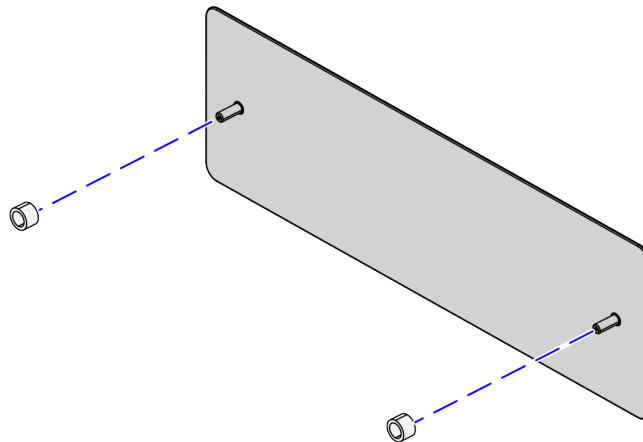
Installing V-Bagwell Bumpers

There are two bumpers to be installed on the V-Bagwell. To install the bumpers, follow these steps:

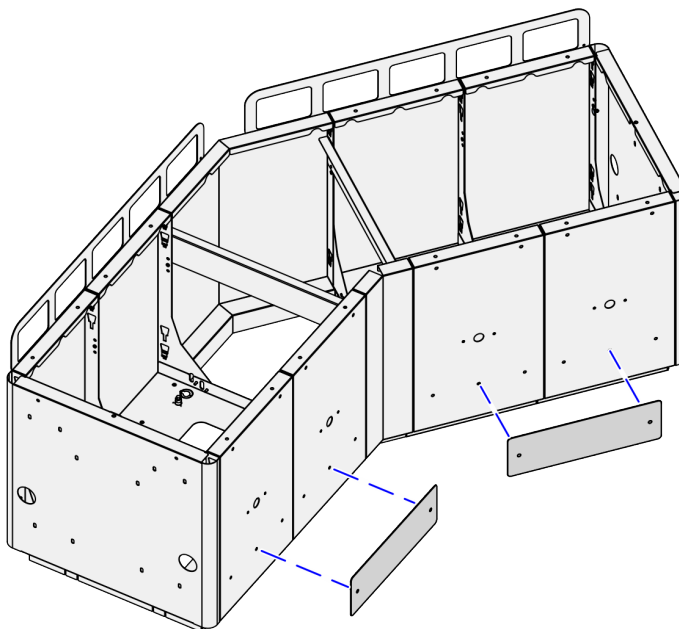


Note: For the purpose of illustration only, this procedure shows images using Right-hand (RH) orientation.

1. Assemble the V-Bagwell. For more information, refer to [Setting Up Modular Large Basket Angled Bagwell \(V-Bagwell\)](#) on page 9.
2. Insert two (2) spacers on each Bumper.



3. Do the following:
 - a. Position each Bumper so that the screws are aligned with the holes on the Bagwell.
 - b. Secure each Bumper on the Bagwell using two (2) wing nuts.



CCP-80403



Note: To install the V-Bagwell Fences, refer to [Installing V-Bagwell Fences](#) on page 17.

Setting Up Modular Large Basket Corner Bagwell (Corner Bagwell)

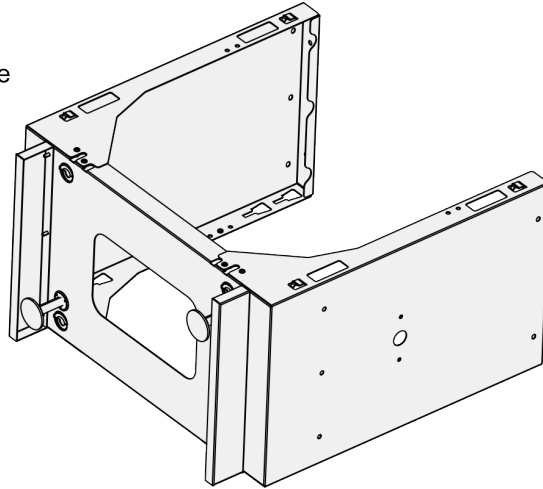
To set up the Corner Bagwell, follow these steps:



Note: The procedure uses the Right-hand (RH) orientation for reference.

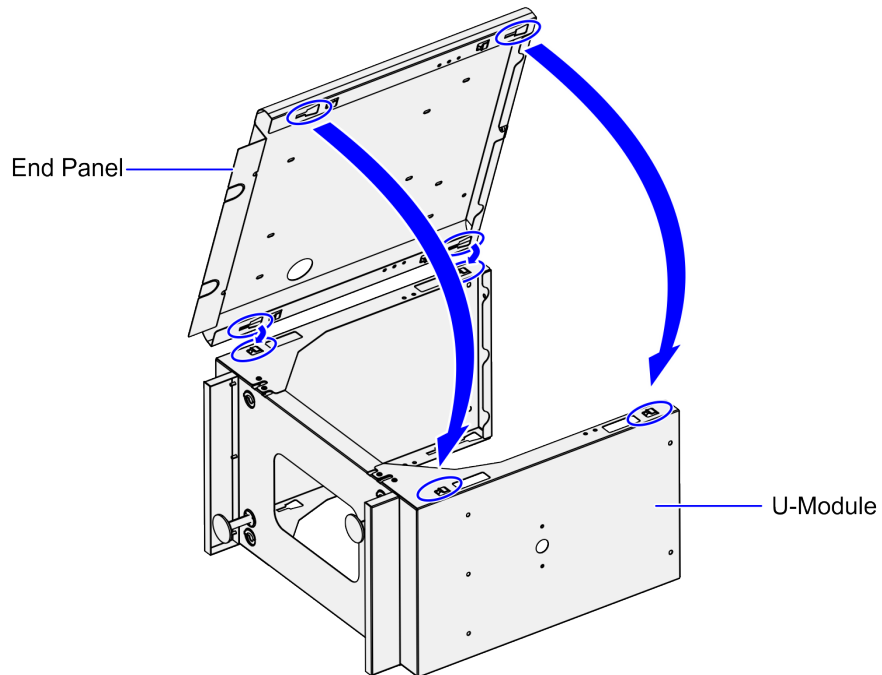
1. Lay the U-Module on its side as shown in the image below.

Large Basket U-Module



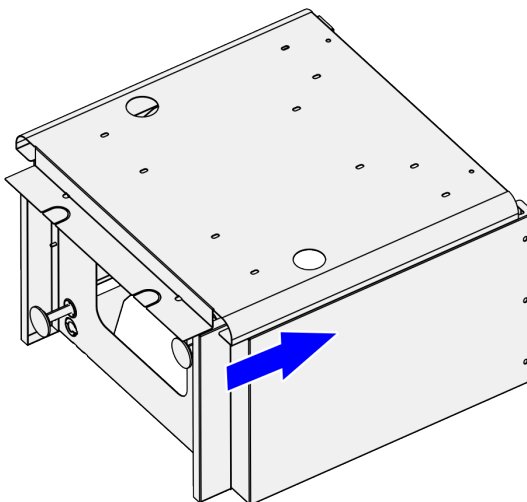
CCP-80284

2. Attach the End Panel by doing the following:
 - a. Align and insert the hooks (two on each side) of the End Panel to the corresponding slots on the U-Module.



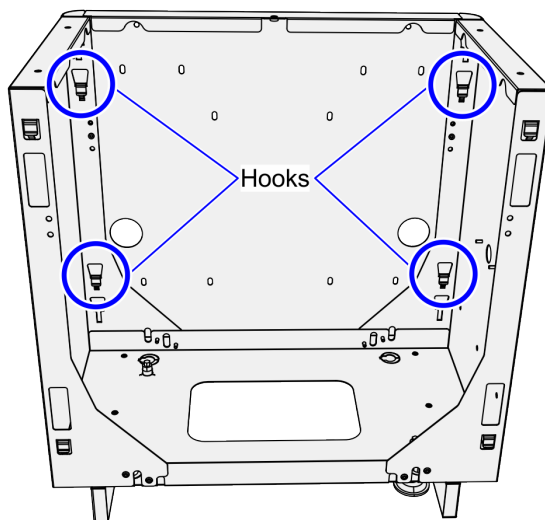
CCP-80285

- b. Slide the hooks into the U-Module slots to engage the hooks. Ensure that the End Panel snaps in place.



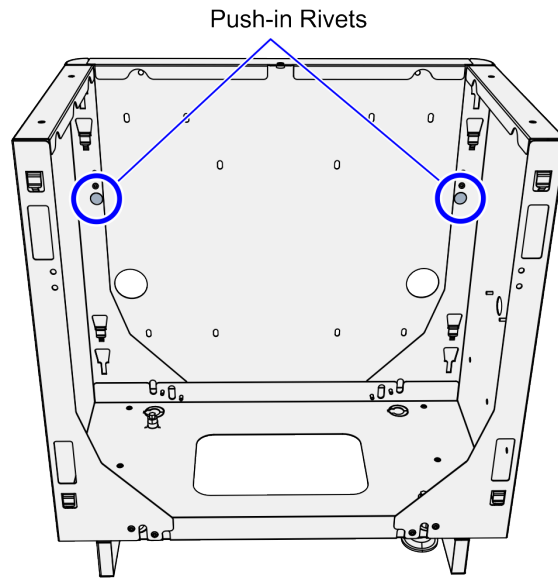
CCP-80286

- c. Verify that all hooks are properly engaged.



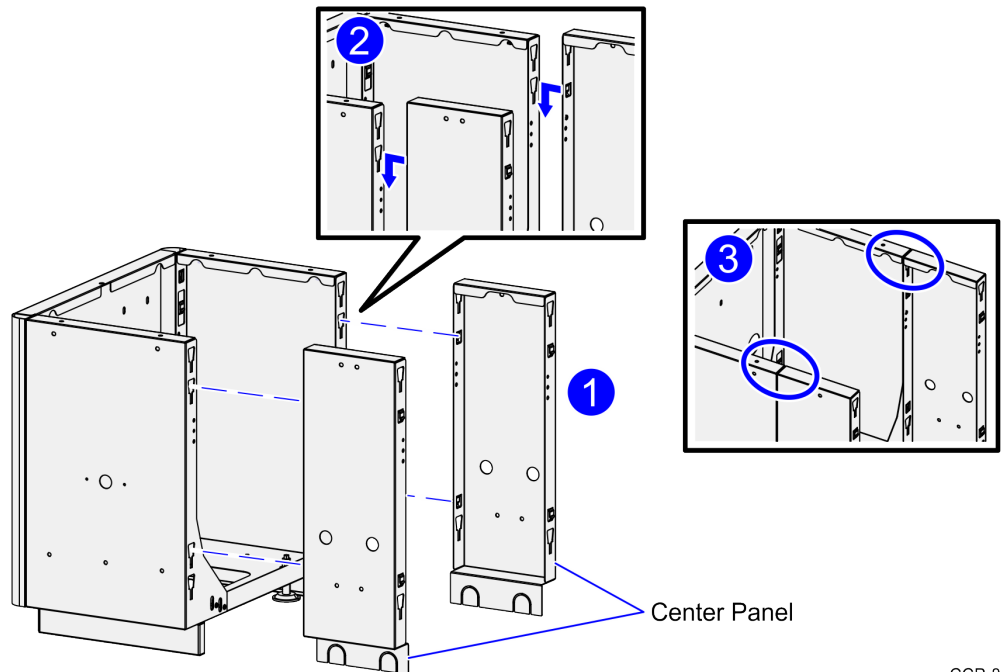
CCP-80287

- d. Fasten the End Panel and U-Module together using two (2) push-in rivets.



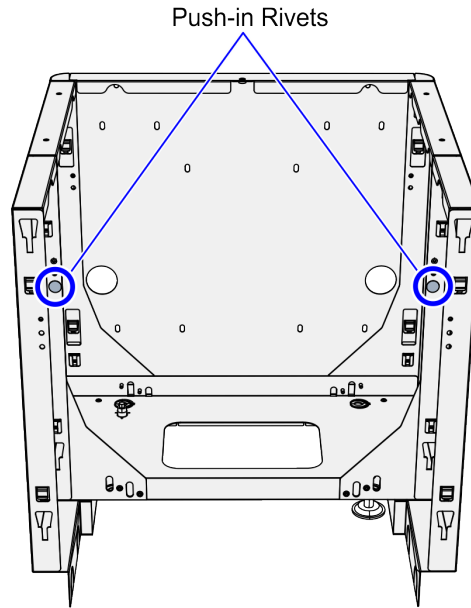
CCP-80288

- 3. Attach the Center Panels on each side of the U-Module by doing the following:
 - a. Align the hooks with the slots (two on each side) of the End Module assembly, and then slide down to engage the hooks. Ensure that the Modules are secure and well-aligned.



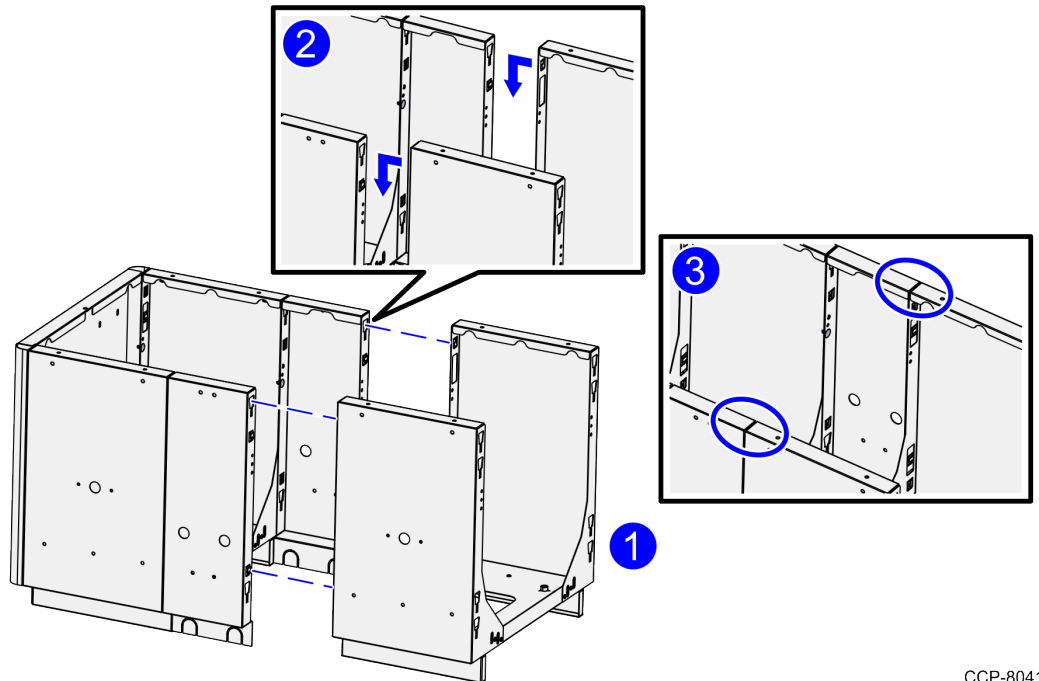
CCP-80417

- b. Secure the Panels and End Module assembly using one (1) push-in rivet on each side.



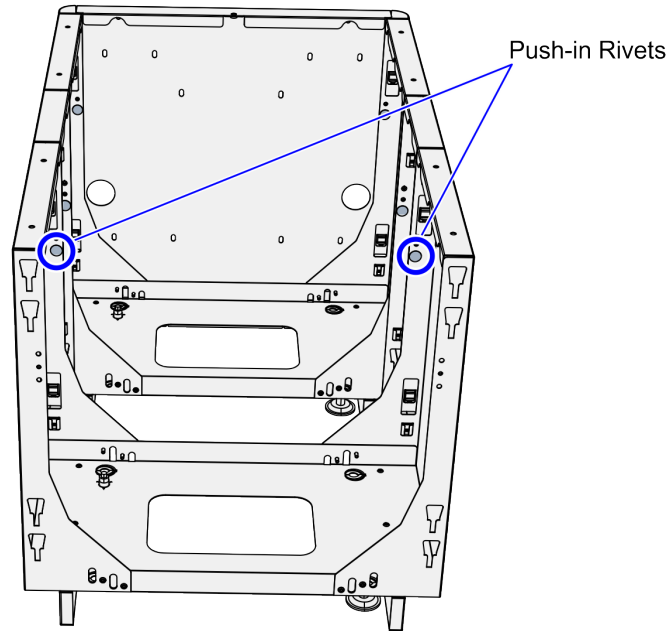
CCP-80418

- 4. Attach the U-Module to the Center Panel assembly by doing the following:
 - a. Align the hooks with the slots (two on each side) of the Center Panel assembly, and then slide down to engage the hooks. Ensure that the Modules are secure and well-aligned.



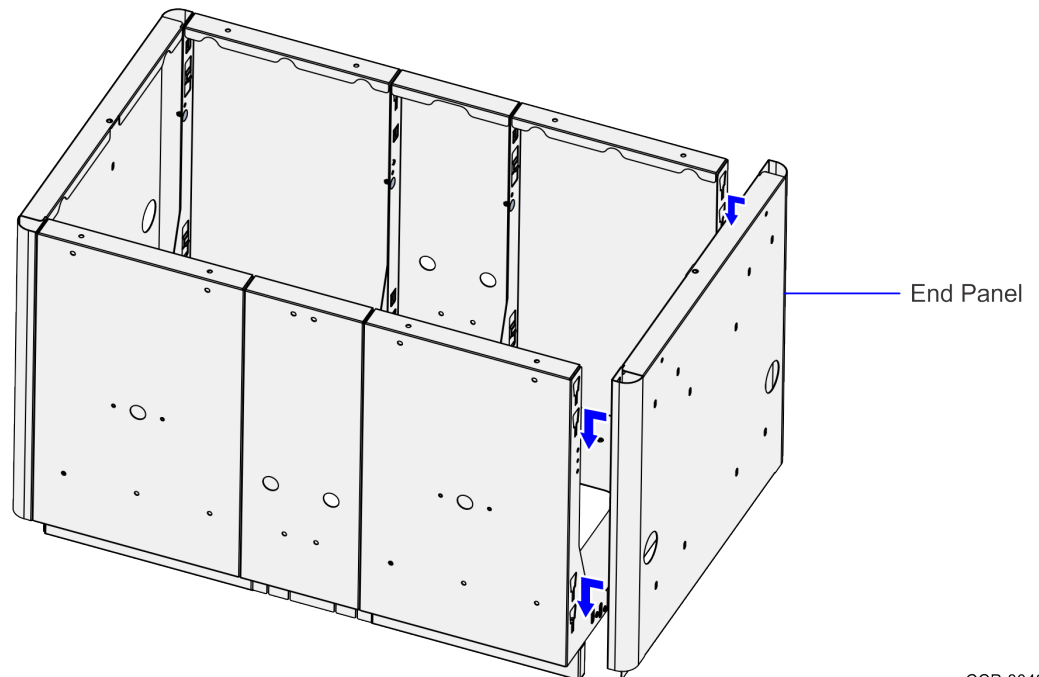
CCP-80419

- b. Secure the U-Module to the Center Panel assembly using one (1) push-in rivet on each side.



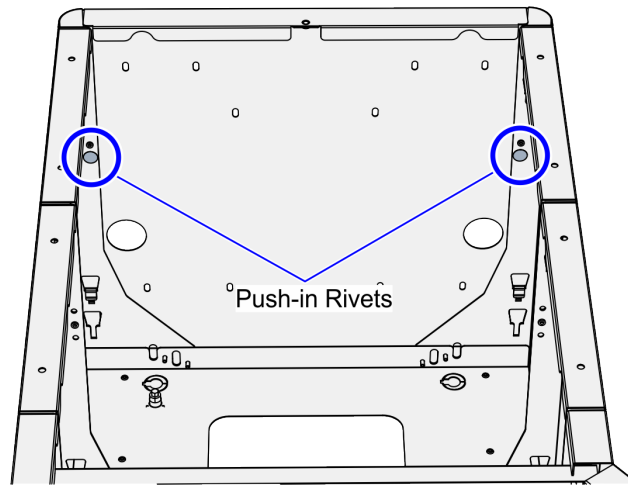
CCP-80420

5. Attach the End Panel to the U-Module assembly by doing the following:
 - a. Align the hooks with the slots (two on each side) of the U-Module assembly, and then slide down to engage the hooks. Ensure that the Modules are secure and well-aligned.



CCP-80421

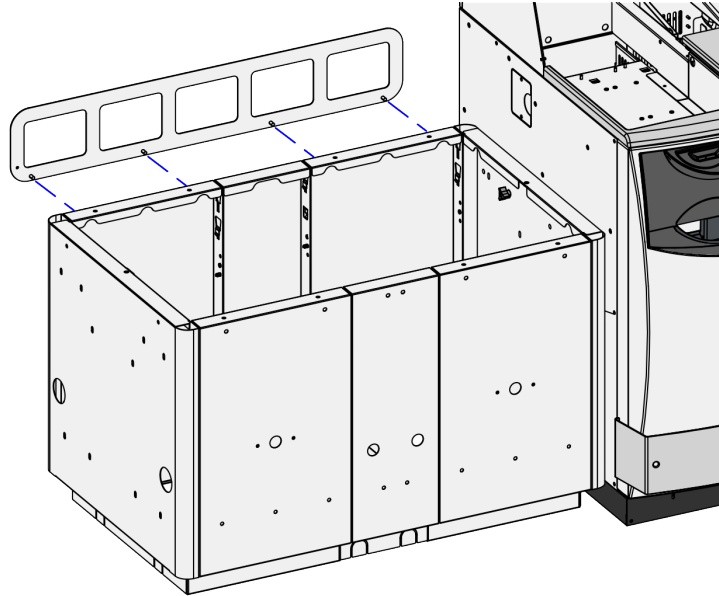
- b. Secure the End Panel using one (1) push-in rivet on each side.



Installing Corner Bagwell Fences

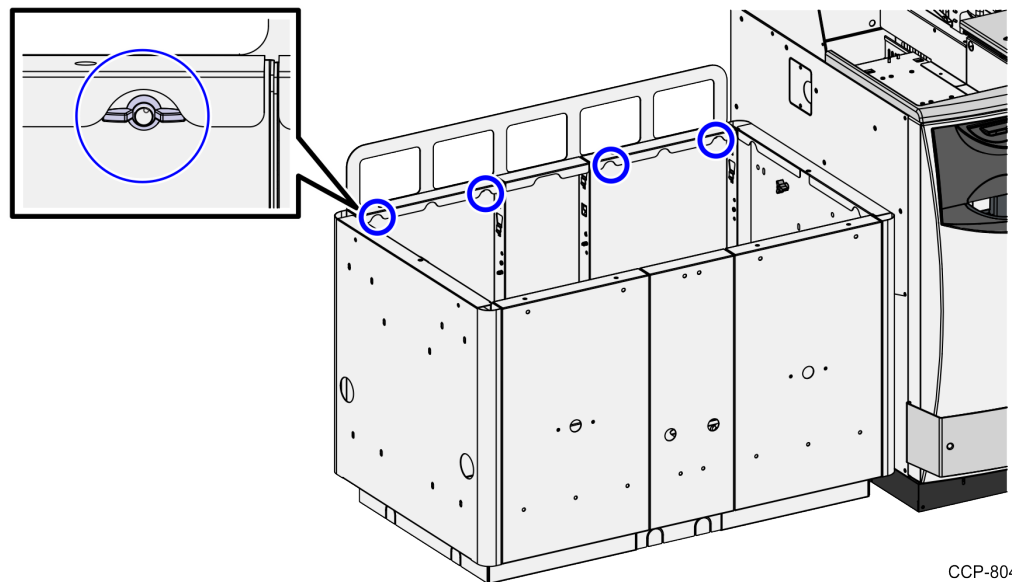
To install the Bagwell fences, follow these steps:

1. Assemble the Corner Bagwell. For more information, refer to [Setting Up Modular Large Basket Corner Bagwell \(Corner Bagwell\)](#) on page 22.
2. Install the Rear Fence by doing the following:
 - a. Insert the Fence studs into the corresponding holes on the Bagwell, as shown in the image below.



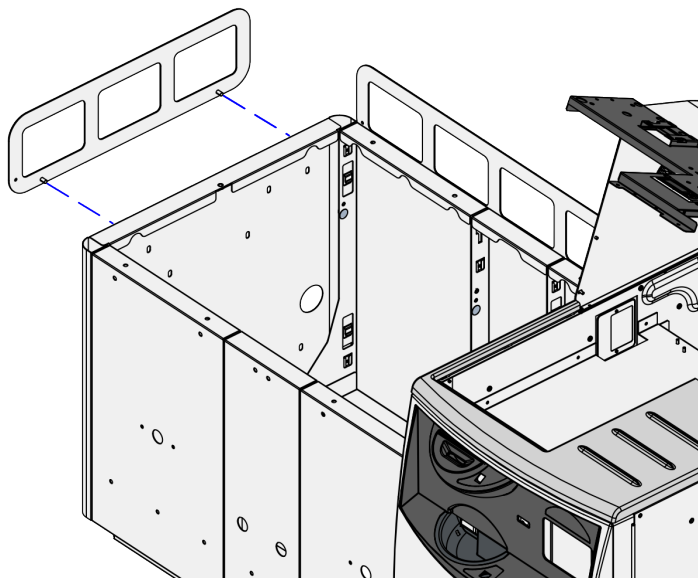
CCP-80424

- b. Secure the Fence using four (4) wing nuts.



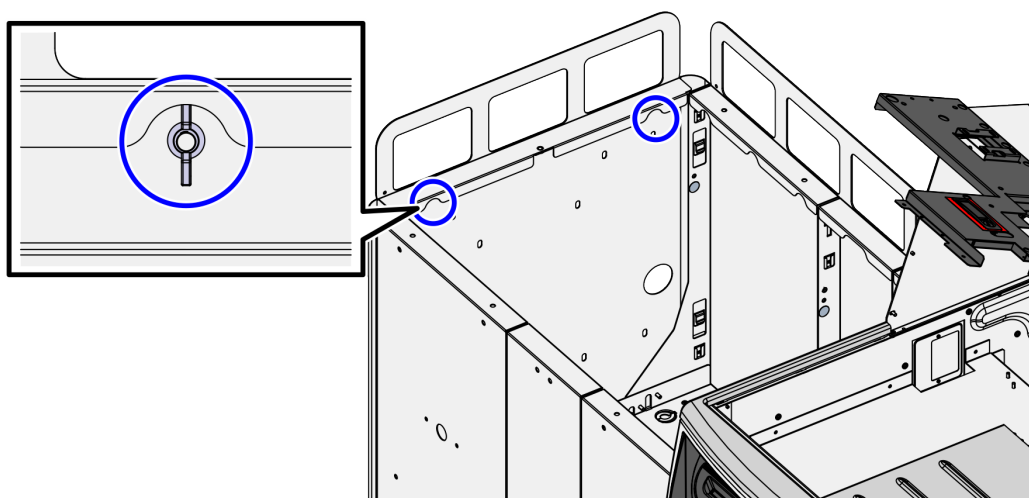
CCP-80425

3. Install the End Fence by doing the following:
 - a. Insert the Fence studs into the corresponding holes on the Bagwell, as shown in the image below.



CCP-80426

- b. Secure the Fence using two (2) wing nuts.



CCP-80427

Installing Corner Bagwell Assembly (7358)

To install the modular Corner Bagwell to the Core Cabinet of an NCR FastLane SelfServ™ Checkout (7358), follow these steps:

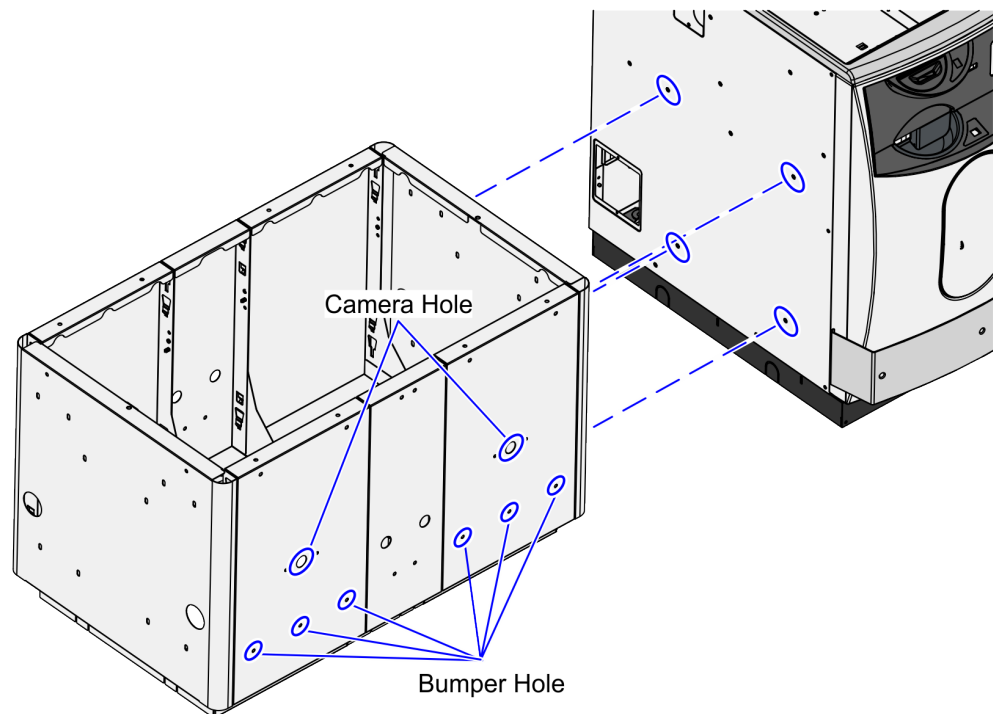


Note: The procedure uses the Right-hand (RH) orientation for reference.

1. Assemble the modular Corner Bagwell. For more information, refer to [Setting Up Modular Large Basket Corner Bagwell \(Corner Bagwell\)](#) on page 22.
2. Align the holes on the End Panel of the Corner Bagwell with the four (4) holes on the side of the Core Cabinet.



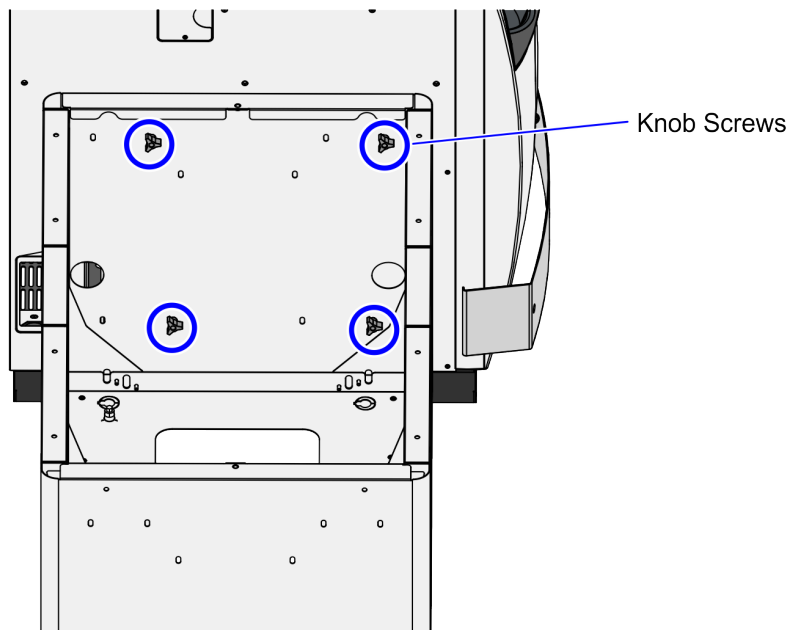
Note: Ensure that the holes for the Camera and Bumper are facing front.



CCP-80422

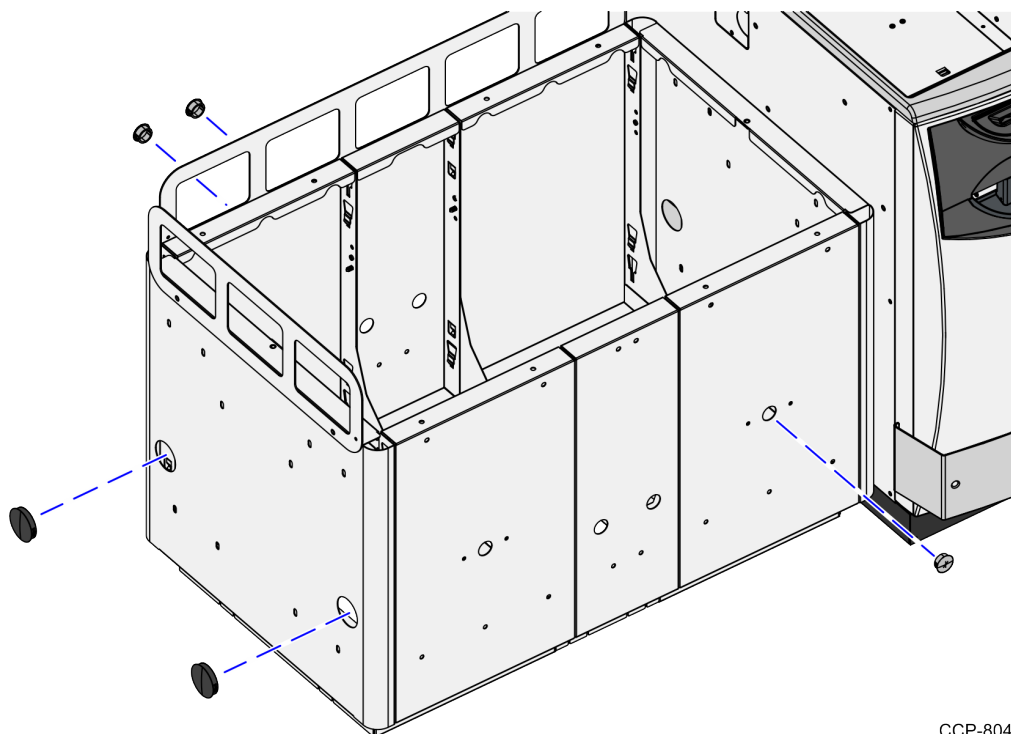
3. Move the Bagwell assembly beside the Core Cabinet.
4. When necessary, adjust the leveling feet to prevent the Bagwell from wobbling. Ensure that it does not wobble or rock by placing hands and exerting moderate pressure on various parts of the Bagwell.

5. Secure the Corner Bagwell using four (4) black knob screws.



CCP-80423

6. Install Hole Plugs on the sides of the Corner Bagwell assembly, as shown in the image below.



CCP-80444

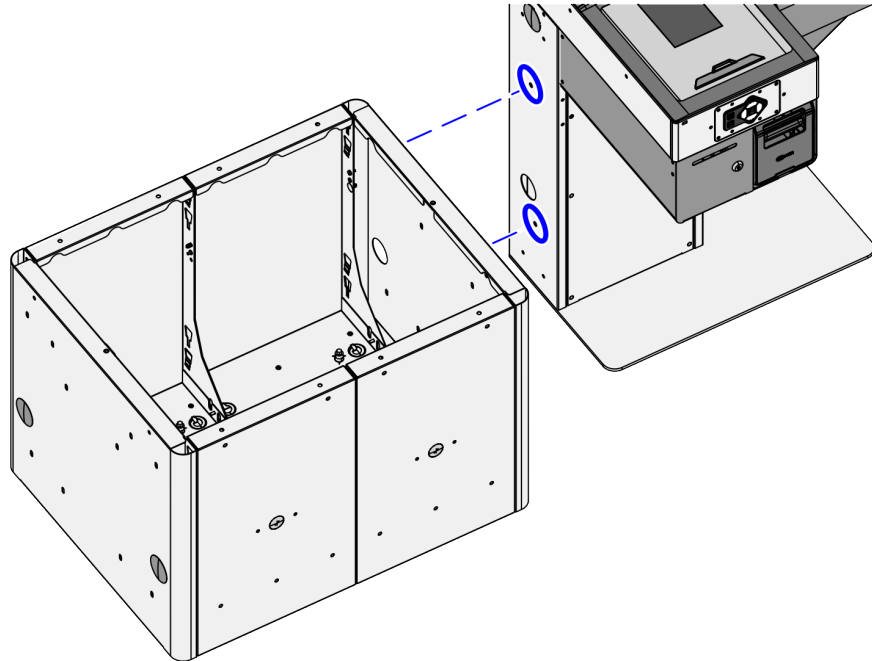
Installing Corner Bagwell Assembly (7370)

To install the modular Corner Bagwell to the Pedestal of an NCR FastLane SelfServ™ Checkout (7370), follow these steps:



Note: The procedure uses the Right-hand (RH) orientation for reference.

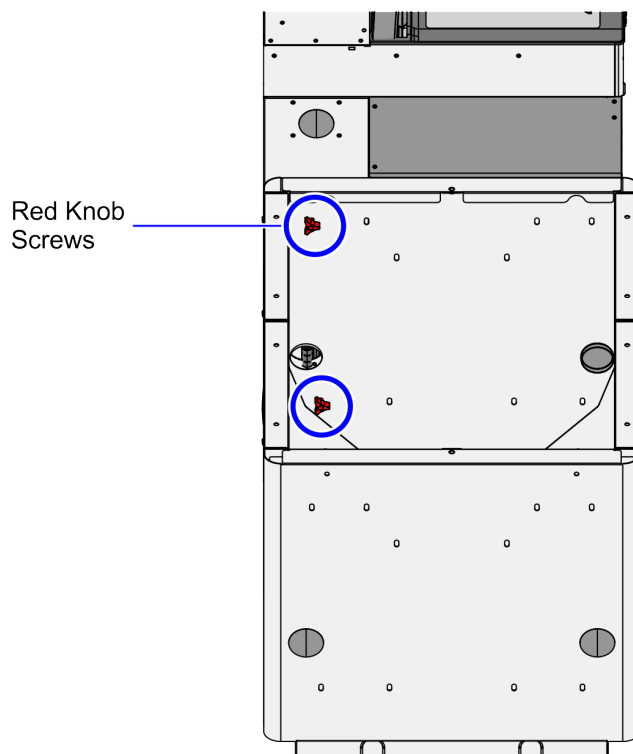
1. Assemble the modular Corner Bagwell. For more information, refer to [Setting Up Modular Large Basket Corner Bagwell \(Corner Bagwell\)](#) on page 22.
2. Align the holes on the Bagwell with the two (2) holes on the side of the Pedestal.



CCP-80493

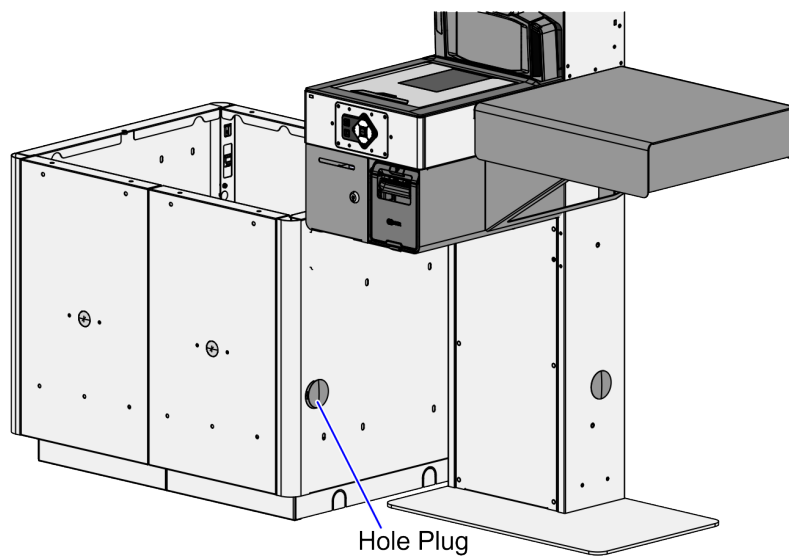
3. Move the Bagwell beside the Pedestal.
4. When necessary, adjust the leveling feet to prevent the Bagwell from wobbling. Ensure that it does not wobble or rock by placing hands and exerting moderate pressure on various parts of the Bagwell.

5. Secure the Bagwell using two (2) red knob screws.



CCP-80494

6. Install a hole plug in the area not covered by the Pedestal, as shown in the example below.



CCP-80523

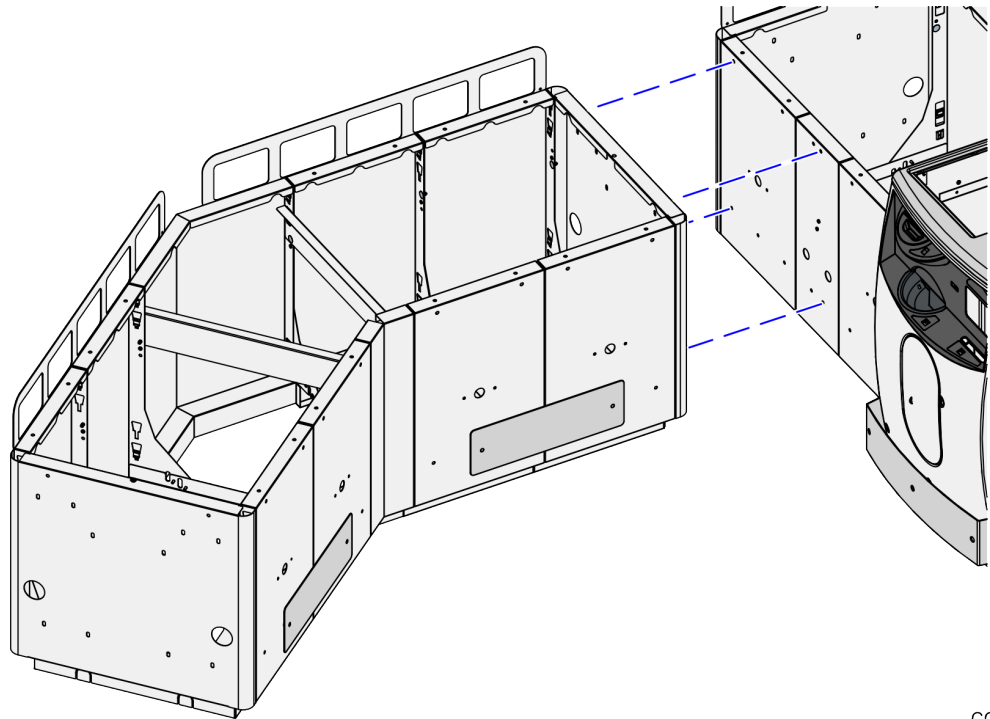
Installing V-Bagwell Assembly

To install the V-Bagwell assembly to the Corner Bagwell assembly, follow these steps:



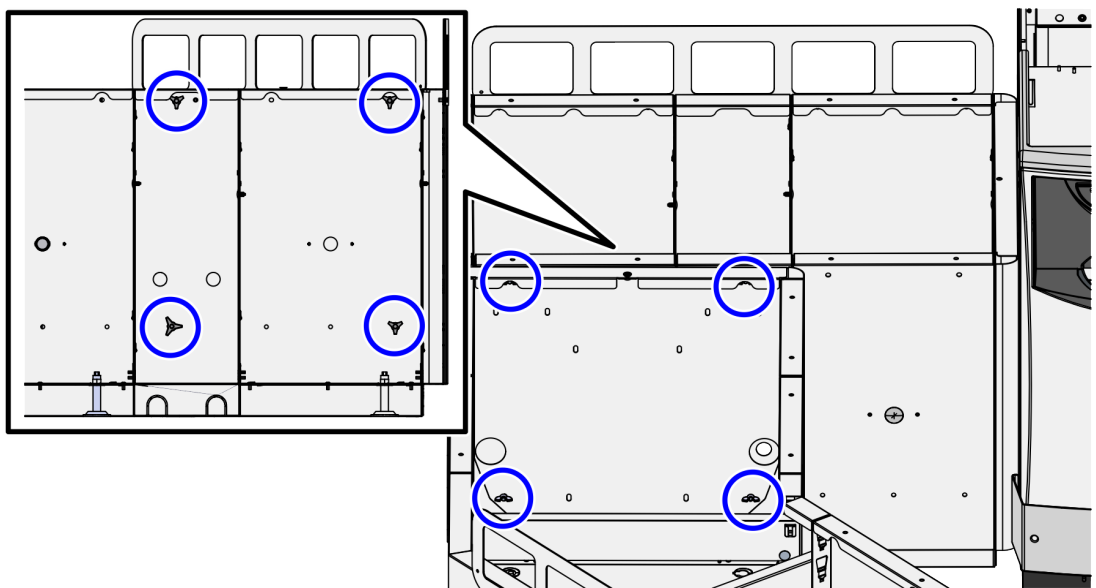
Note: The procedure uses the Right-hand (RH) orientation of the 7358 unit for reference.

1. Install the Corner Bagwell to the Core Cabinet. For more information, refer to [Installing Corner Bagwell Assembly \(7358\)](#) on page 30.
2. Align four (4) holes on the End Panel of the V-Bagwell with the four (4) holes on the Corner Bagwell, as shown in the image below.



CCP-80433

- Secure the V-Bagwell to the Corner Bagwell using four (4) knob screws.

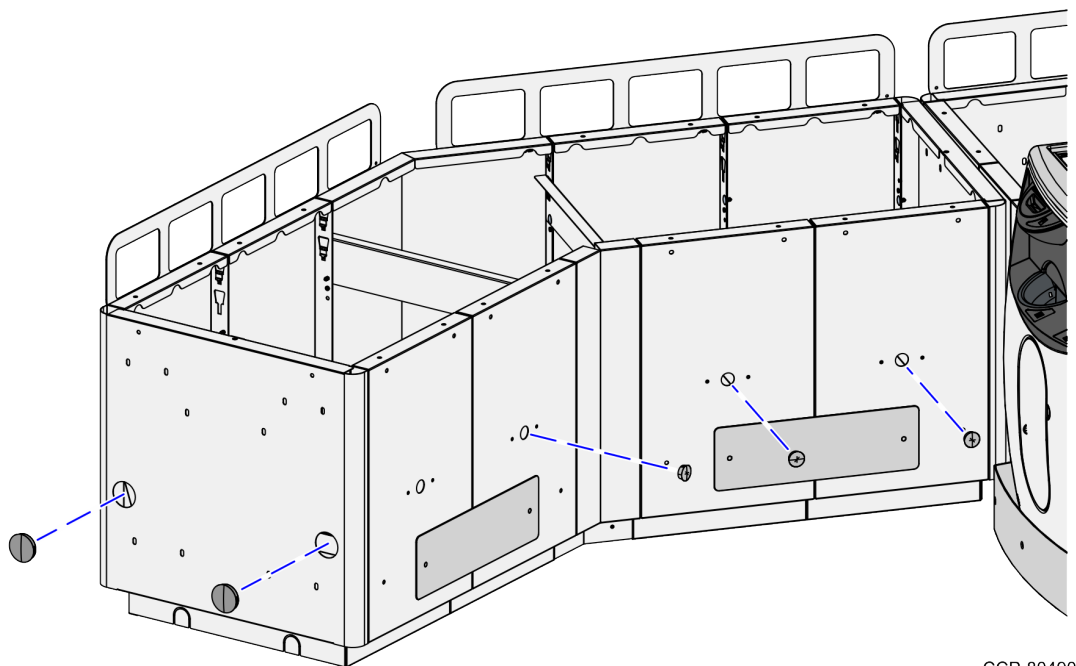


CCP-80432

- Insert hole plugs in their corresponding holes, as shown in the example below.



Note: The hole closest to the end of the Bagwell is open for a security camera.

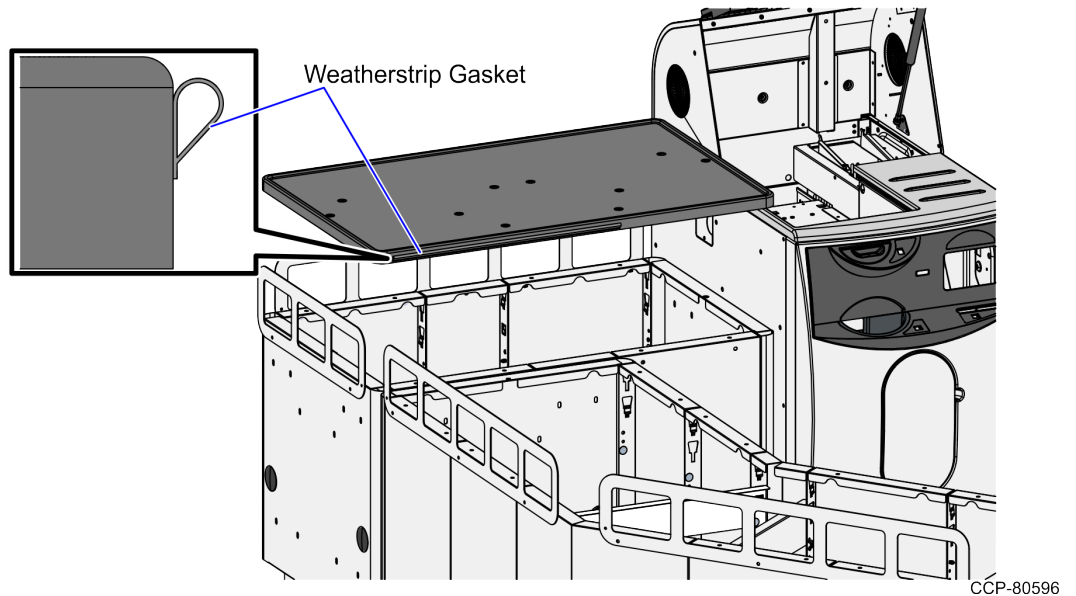


CCP-80490

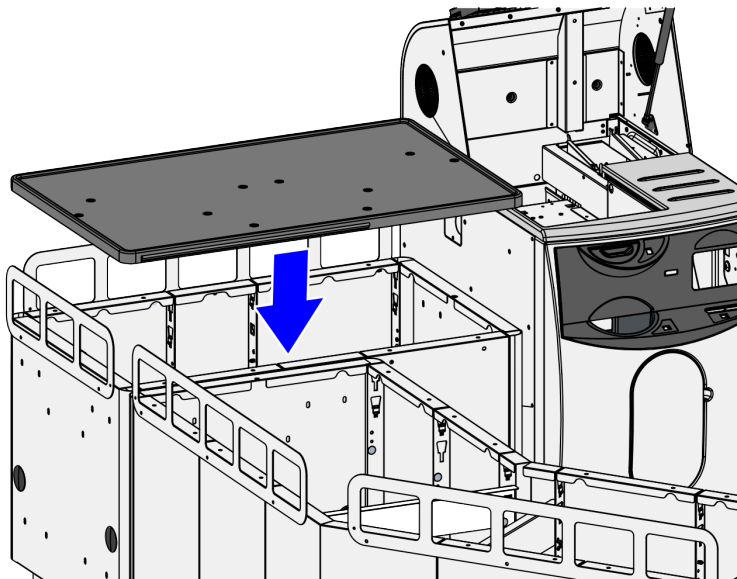
Installing Modular Large Basket Bagwell Top Trays

To install the Top Trays on the Bagwells, follow these steps:

1. Install the Corner Bagwell. Depending on the SelfServ Checkout, refer to either of the following:
 - [Installing Corner Bagwell Assembly \(7358\)](#) on page 30.
 - [Installing Corner Bagwell Assembly \(7370\)](#) on page 32.
2. Install the Angled Bagwell. For more information, refer to [Installing V-Bagwell Assembly](#) on page 34.
3. Install the Weatherstrip Gasket on the Corner Bagwell Top Tray by doing the following:
 - a. Remove the adhesive strip from the back of the Weatherstrip Gasket.
 - b. Attach the Weatherstrip Gasket on the side of the Top Tray, positioned to line up with the other gasket at the end of the Angled Bagwell Top Tray. Ensure that the rounded side of the gasket is facing up, as shown in the image below.

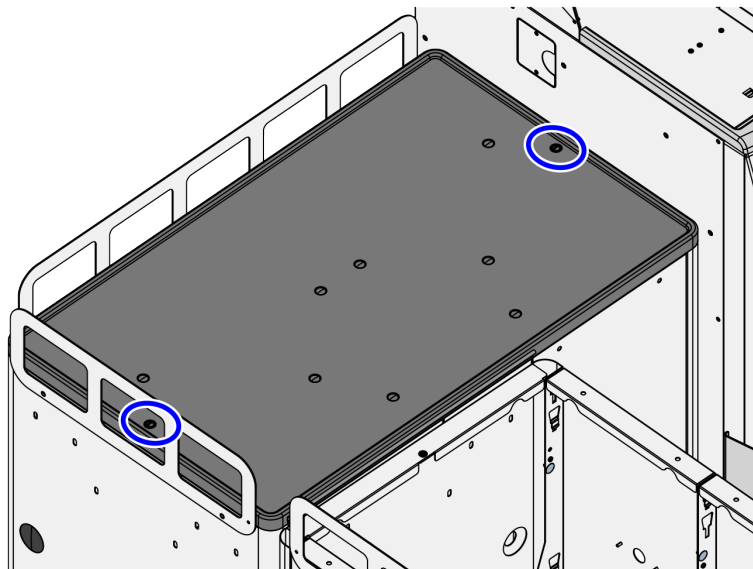


4. Install the Corner Bagwell Top Tray by doing the following:
 - a. Place the Top Tray on the Corner Bagwell. Ensure that the captive screws on both ends of the Top Tray are aligned with the corresponding screw holes on the Bagwell.



CCP-80428

- b. Tighten the captive screws to secure the Top Tray on the Corner Bagwell.



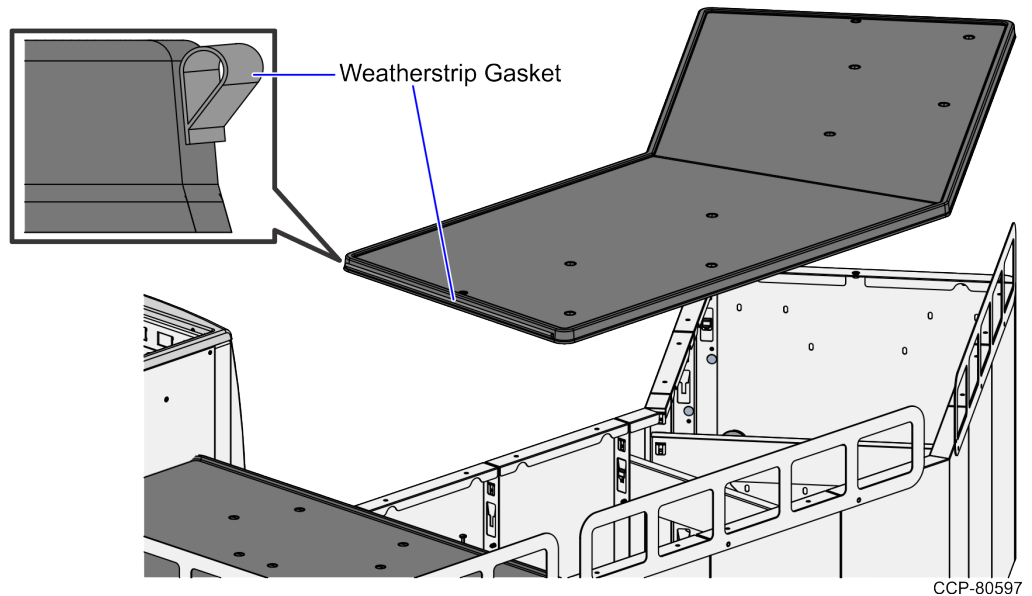
CCP-80429

5. Install the Weatherstrip Gasket on the Angled Bagwell Top Tray by doing the following:

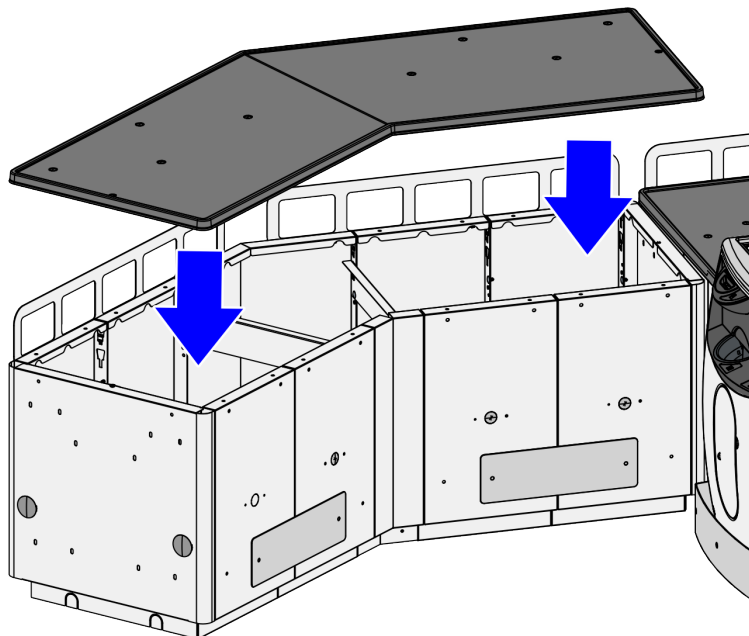


Note: The Weatherstrip Gaskets are intended to fill the gap between the Corner Bagwell Top Tray and Angled Bagwell Top Tray.

- a. Remove the adhesive strip from the back of the Weatherstrip Gasket.
- b. Attach the Weatherstrip Gasket at the end of the Top Tray, positioned to line up with the other gasket on the side of the Corner Bagwell Top Tray. Ensure that the rounded side of the gasket is facing up, as shown in the image below.

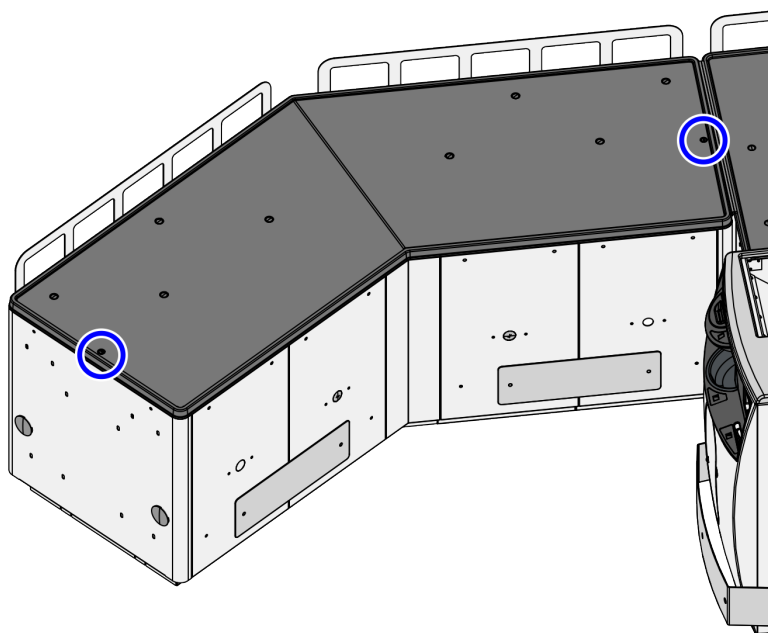


6. Install the Angled Bagwell Top Tray by doing the following:
 - a. Place the Top Tray on the Angled Bagwell. Ensure that the captive screws on each end of the Top Tray are aligned with the corresponding screw holes on Bagwell.



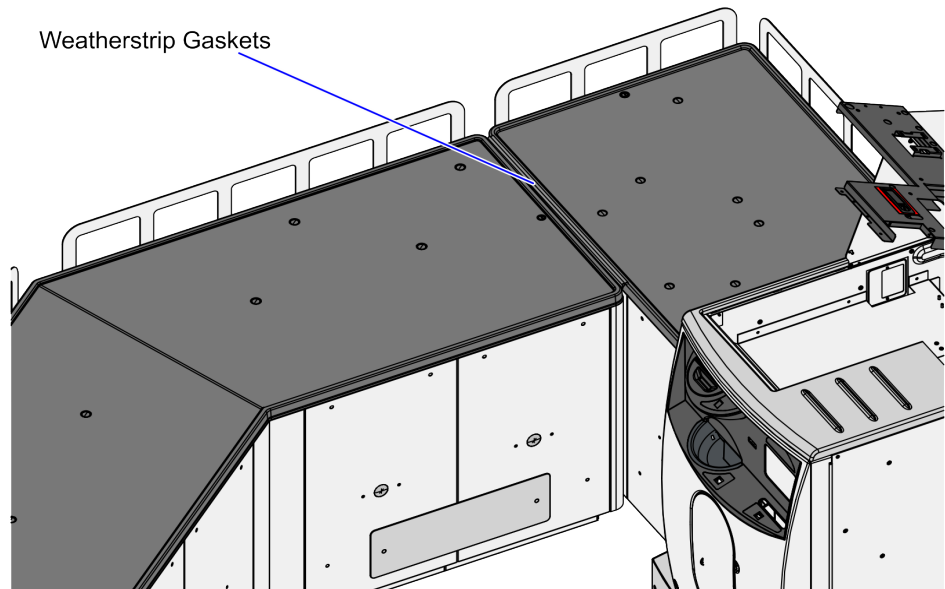
CCP-80430

- b. Tighten the captive screws to secure the Top Tray on the Angled Bagwell.



CCP-80431

- c. Ensure that the Weatherstrip Gaskets are aligned and properly filled the gap between the Corner Bagwell Top Tray and Angled Bagwell Top Tray, as shown in the image below.



CCP-80598

Changing Modular Large Basket (Basket) Orientation

To change the orientation of the Corner Bagwell, follow these steps:



Note: For the purpose of illustration only, this procedure shows images using Right-hand (RH) orientation.

1. Do the following:

- a. Remove the Top Trays from the Large Basket (Basket) Module. For more information, refer to [Removing Modular Large Basket Bagwell Top Trays](#) on the next page.
- b. Remove the V-Bagwell. For more information, refer to [Removing V-Bagwell Assembly](#) on page 44.



Note: If the V-Bagwell is equipped with a Bottom-of-Basket (BoB) Camera, ensure that the camera cable is disconnected from the SelfServ Checkout unit. For more information about changing the orientation of the Bottom-of-Basket Camera, refer to *7358-K582 Bottom-of-Basket Camera Kit Instructions*.

- c. Remove the Corner Bagwell. For more information, refer to [Removing Corner Bagwell Assembly \(7358\)](#) on page 46.

2. Install the Bagwells by doing the following:



Note: Ensure that the hole plugs are inserted at the opposite side before installing in the new orientation.

- d. Install the Corner Bagwell to the other side of the SelfServ Checkout unit. For more information, refer to [Installing Corner Bagwell Assembly \(7358\)](#) on page 30.
- e. Install the V-Bagwell. Ensure that the V-Bagwell orientation is the same with the Corner Bagwell. For more information, refer to [Installing V-Bagwell Assembly](#) on page 34.

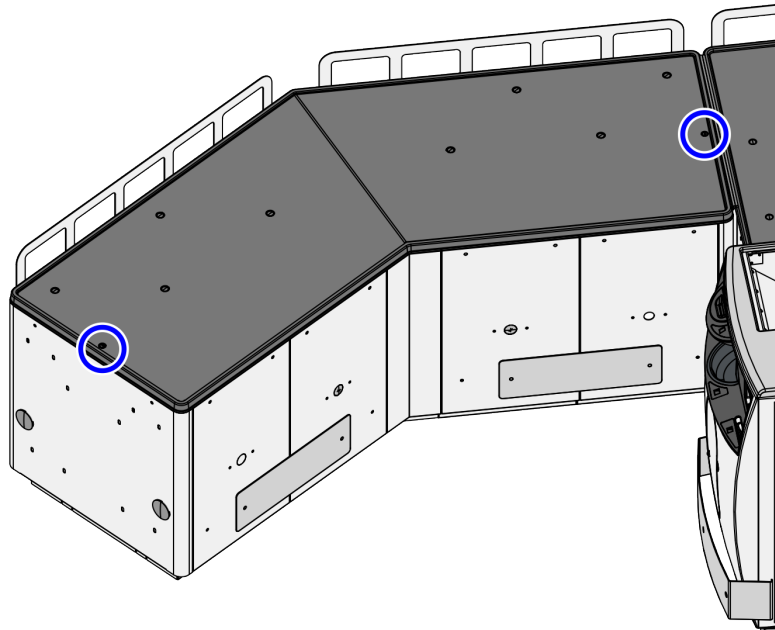


Note: If the V-Bagwell is equipped with a Bottom-of-Basket Camera, change the orientation of the camera. For more information, refer to *7358-K582 Bottom-of-Basket Camera Kit Instructions*.

Removing Modular Large Basket Bagwell Top Trays

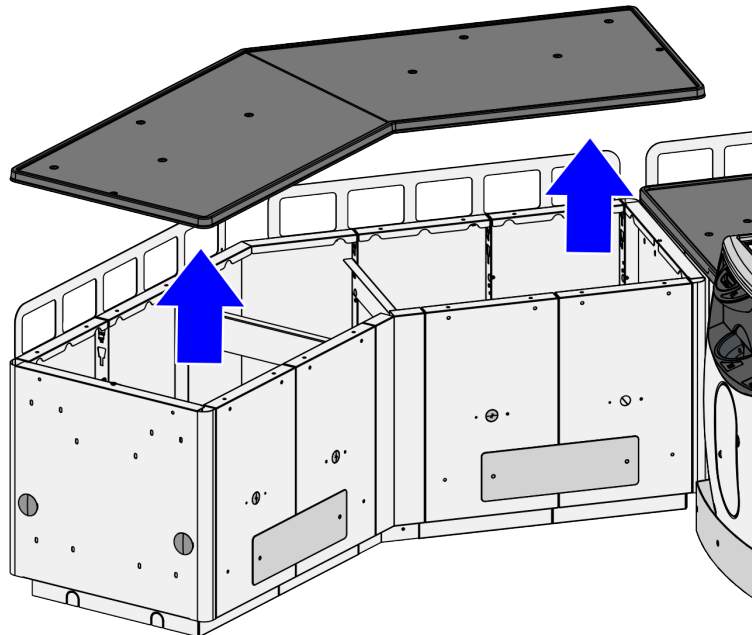
To remove the Top Trays from the Bagwells, follow these steps:

1. Remove the Angled Bagwell Top Tray by doing the following:
 - a. Loosen the captive screws at each end of the Top Tray on the Angled Bagwell.



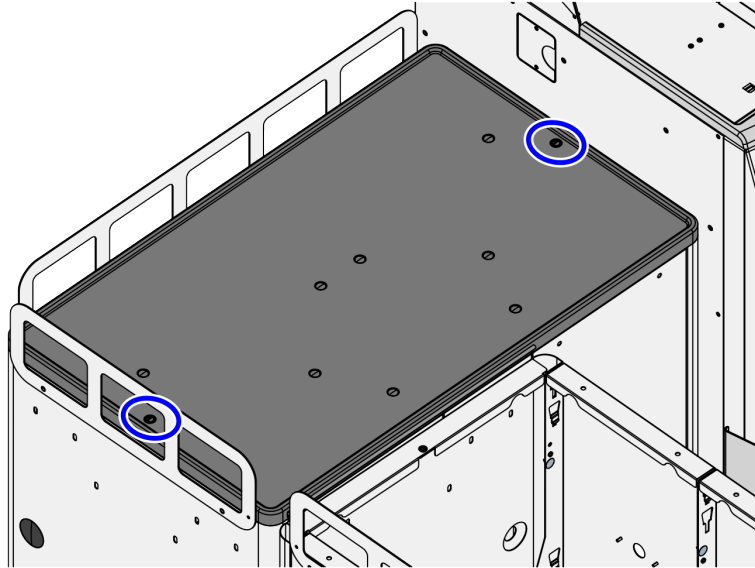
CCP-80431

- b. Lift the Top Tray from the Angled Bagwell.



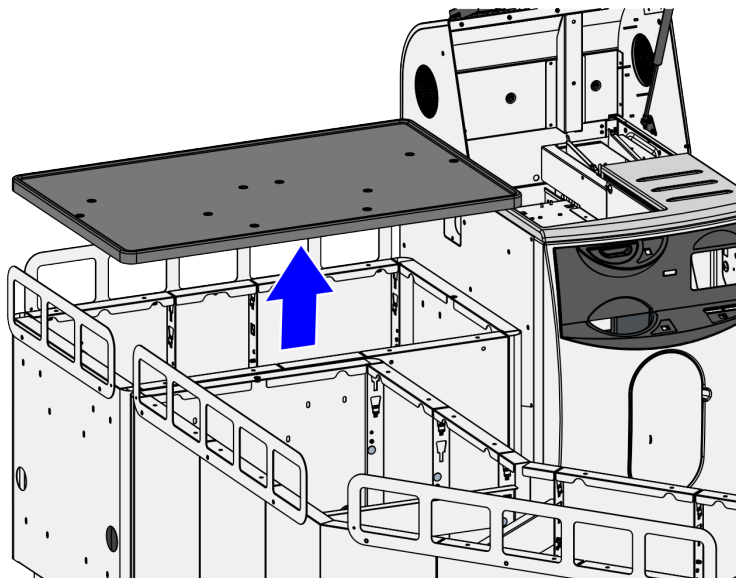
CCP-80434

2. Remove the Top Tray from the Corner Bagwell by doing the following:
 - a. Loosen the captive screws at each end of the Top Tray, as shown in the image below.



CCP-80429

- a. Lift the Top Tray from the Corner Bagwell.



CCP-80435

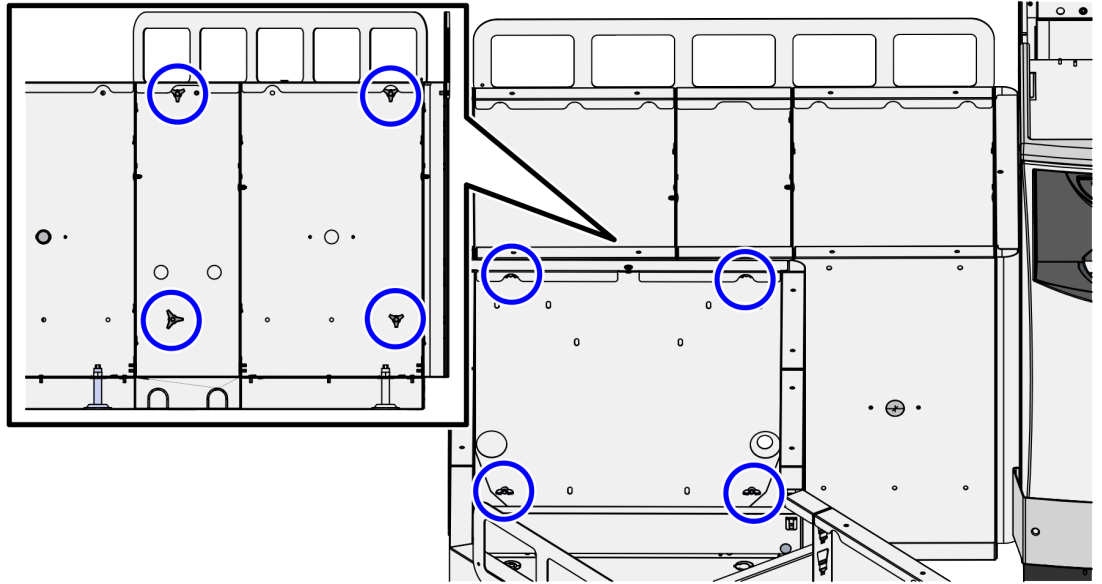
Removing V-Bagwell Assembly

To remove the V-Bagwell assembly from the Corner Bagwell assembly, follow these steps:



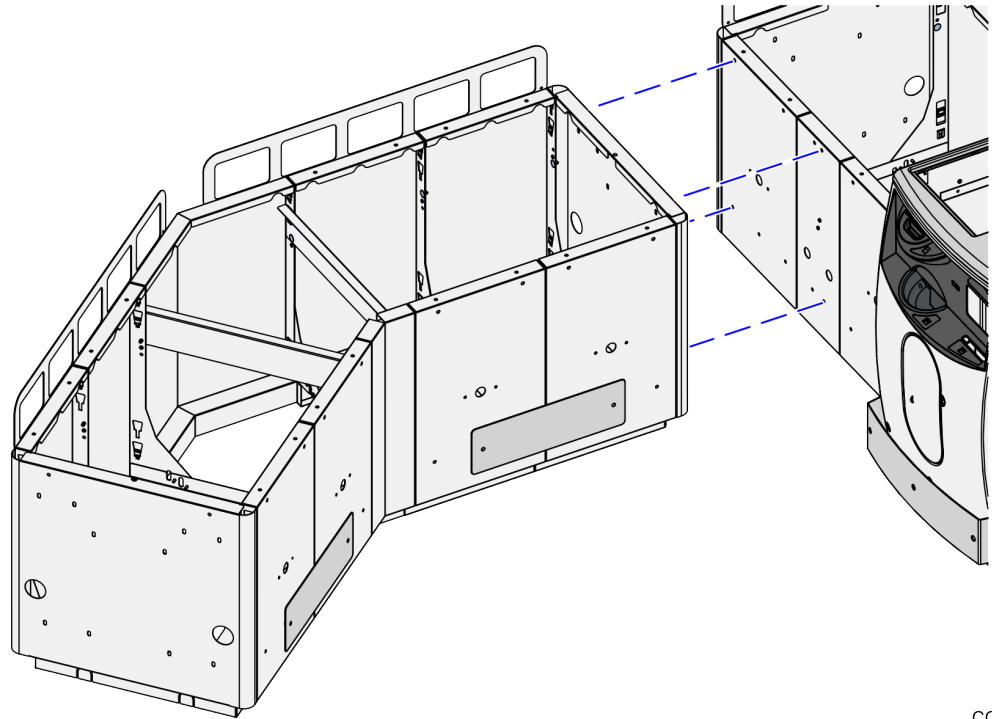
Note: The procedure uses the Right-hand (RH) orientation for reference.

1. Remove the Top Trays from the Bagwells. For more information, refer to [Removing Modular Large Basket Bagwell Top Trays](#) on page 42.
2. Remove three (3) knob screws that are securing the V-Bagwell to the Corner Bagwell.



CCP-80432

3. Pull the V-Bagwell assembly away from the Corner Bagwell assembly, as shown in the image below.



CCP-80433

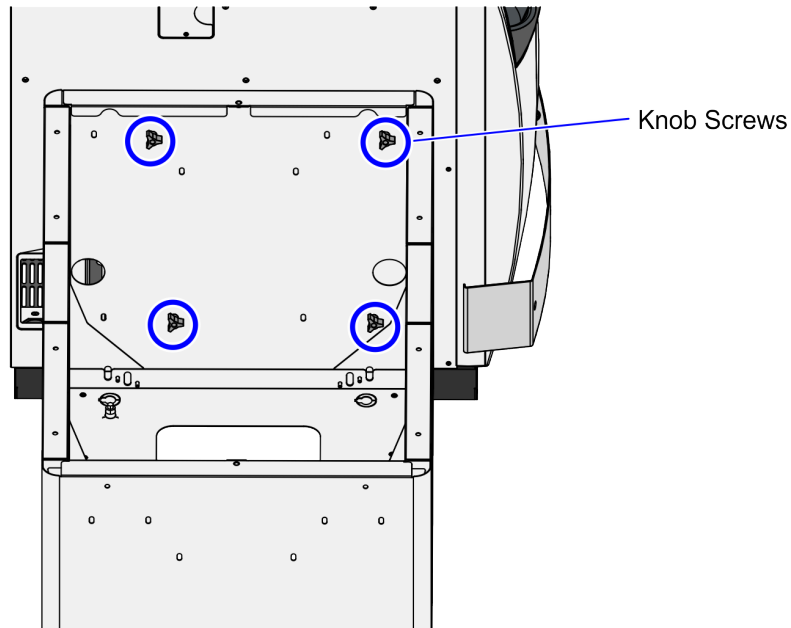
Removing Corner Bagwell Assembly (7358)

To remove the Corner Bagwell from the Core Cabinet of an NCR FastLane SelfServ™ Checkout (7358), follow these steps:

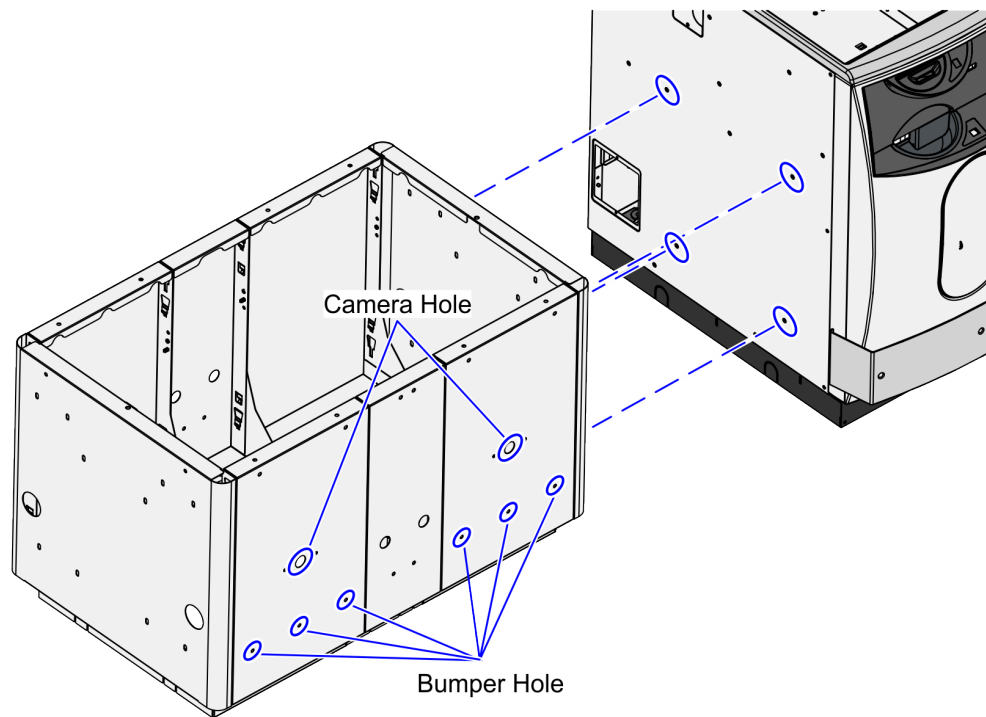


Note: The procedure uses the Right-hand (RH) orientation for reference.

1. Remove the Angled Bagwell assembly from the Corner Bagwell assembly. For more information, refer to [Removing V-Bagwell Assembly](#) on page 44.
2. Remove four (4) black knob screws that are securing the Corner Bagwell to the Core Cabinet.



3. Pull the Corner Bagwell assembly away from the Core Cabinet, as shown in the image below.



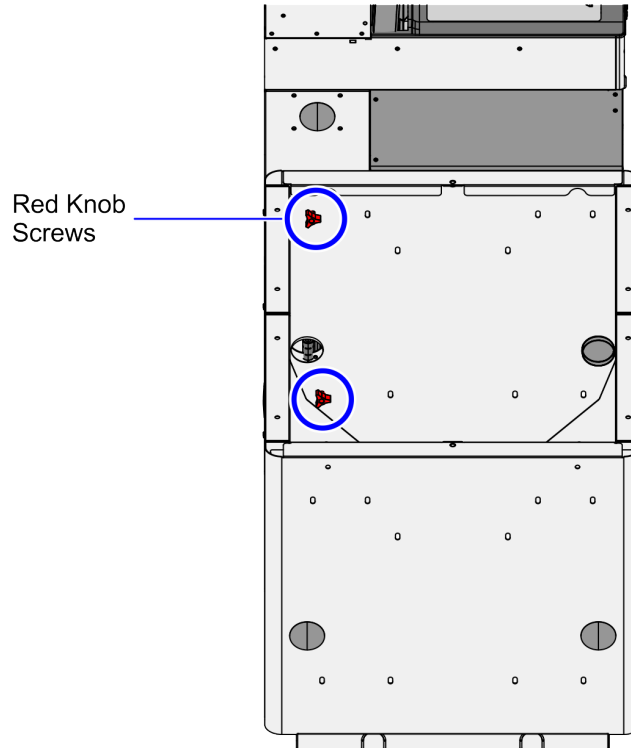
Removing Corner Bagwell Assembly (7370)

To remove the modular Corner Bagwell from the Pedestal of an NCR FastLane SelfServ™ Checkout (7370), follow these steps:

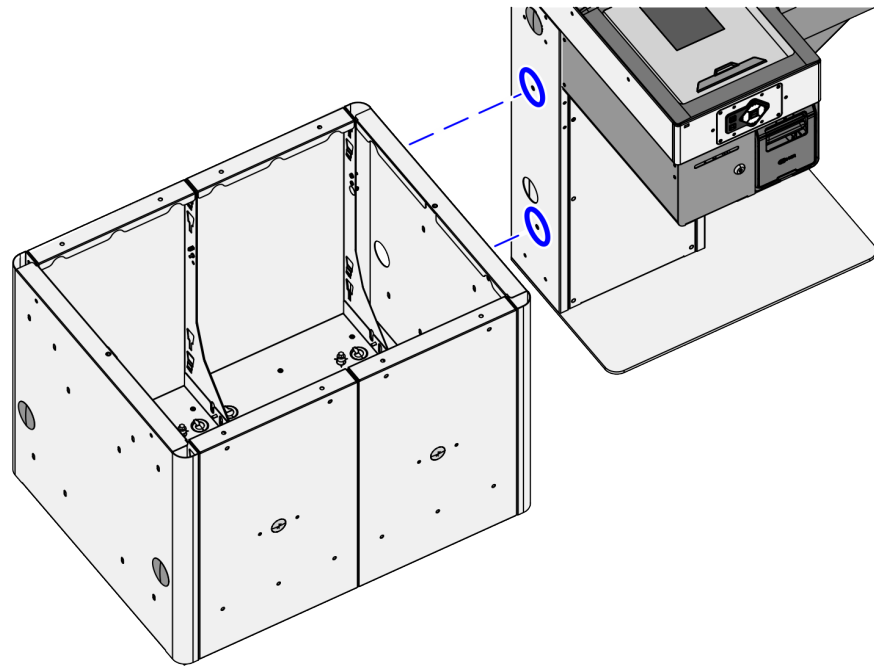


Note: The procedure uses the Right-hand (RH) orientation for reference.

1. Remove the Top Tray. For more information, refer to [Removing Modular Large Basket Bagwell Top Trays](#) on page 42.
2. Remove two (2) red knob screws to detach the Bagwell from the Core Cabinet.



3. Pull the Bagwell assembly away from the Pedestal, as shown in the image below.



CCP-80493

