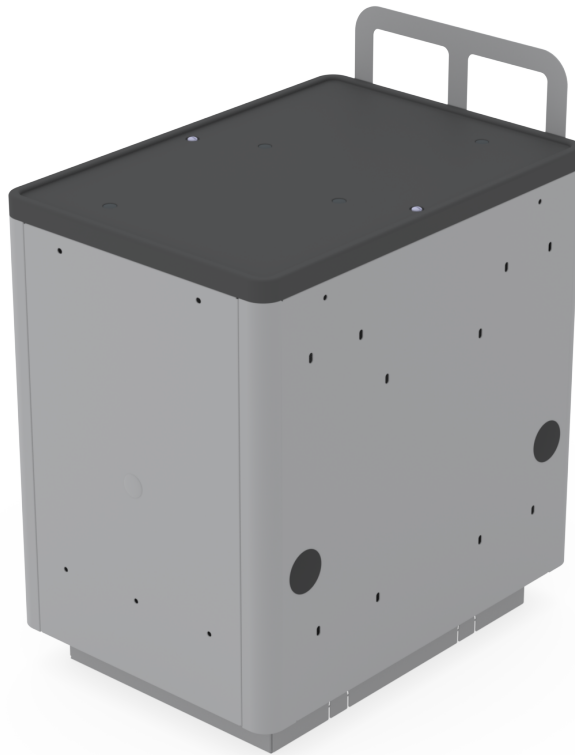


Kit Instructions

1-Bag Bagwell Module (Medium Gray)



7358-K703
Issue C



The product described in this document is a licensed product of NCR Corporation.

NCR is a registered trademark of NCR Corporation. NCR FastLane SelfServ™ Checkout is a trademark of NCR Corporation in the United States and/or other countries. Other product names mentioned in this publication may be trademarks or registered trademarks of their respective companies and are hereby acknowledged.

The terms HDMI and HDMI High-Definition Multimedia Interface, and the HDMI Logo are trademarks or registered trademarks of HDMI Licensing LLC in the United States and other countries.

Where creation of derivative works, modifications or copies of this NCR copyrighted documentation is permitted under the terms and conditions of an agreement you have with NCR, NCR's copyright notice must be included.

It is the policy of NCR Corporation (NCR) to improve products as new technology, components, software, and firmware become available. NCR, therefore, reserves the right to change specifications without prior notice.

All features, functions, and operations described herein may not be marketed by NCR in all parts of the world. In some instances, photographs are of equipment prototypes. Therefore, before using this document, consult with your NCR representative or NCR office for information that is applicable and current.

Copyright © 2022
By NCR Corporation
Global Headquarters
864 Spring St. NW
Atlanta, GA 30308
United States
All Rights Reserved

Revision Record

Issue	Date	Remarks
A	Mar 2021	First Issue
B	May 2021	<ul style="list-style-type: none">• Updated illustration and part numbers in the Kit Contents section.• Updated procedures.• Added procedures for NCR FastLane SelfServ™ Checkout (7370).
C	Aug 2022	Added procedures for NCR FastLane SelfServ™ Checkout (7360).

1-Bag Bagwell Module (Medium Gray)

This publication provides the steps for installing the 7358-K703 1-Bag Bagwell Module (Medium Gray) to a SelfServ Checkout unit. The kit comes preassembled and ready to be installed at the site.

The NCR FastLane SelfServ™ Checkout with a Bagging Area (Bagwell) Module or Large Basket (Large Basket) Module can be configured for either Left-hand (LH) orientation or Right-hand (RH) orientation, which refers to the direction customers scan and bag items.

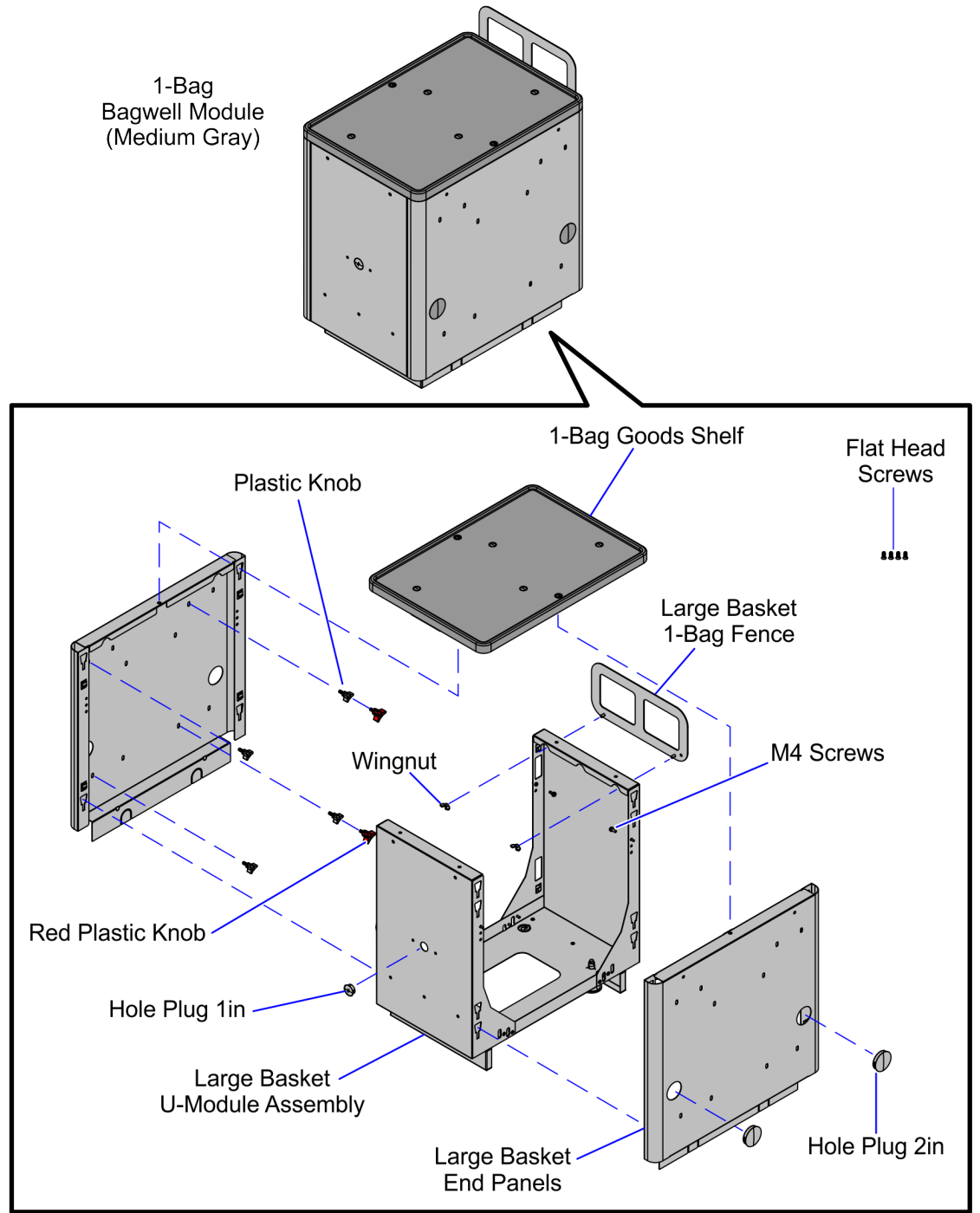
- **Left-hand (LH) orientation**—Customers scan from left to right.
- **Right-hand (RH) orientation**—Customers scan from right to left.



Note: The orientation of the unit is determined by the position of the Lower Core (Cabinet) Module in relation to the Bagwell or Large Basket.












Example: The Left-hand (LH) unit has the Cabinet positioned on the left side of the Bagwell or Large Basket.

Kit Contents



CCP-80566

	Part Number	Description
	497-0530818	1-Bag Module Kit (WM Medium Gray)

	Part Number	Description
	795-0291828	Large Basket End Panel (WM Medium Gray) (2 pcs)
	795-0287828	Large Basket U-Module Assembly (WM Medium Gray)
	497-0528561	Large Basket, 1-Bag Fence
	497-0528630	Goods Shelf, 1-Bag, Top Tray
	006-8627878	Wingnut, 1/4-20, Zinc-Plated Steel (2 pcs)
	006-8628097	Plastic Knob, 1/4-20 X 5/8" Steel Stud (4 pcs)
	497-0530518	Hole Plug, 2.000", WM Medium Gray (3 pcs)
	497-0530517	Hole Plug, 1.000", WM Medium Gray
	795-0287628	Hole Cover Label For LBSCO (Wm Medium Gray)
	006-8627935	Screw, Flat Head, M6 X 16Mm L, Steel (4 pcs) Note: If needed, use these screws to mount Bag Racks on the Top Trays.
	006-8628098	Plastic Knob, Red, M6X1Mm X 15Mm, Steel Stud (4 pcs)
*	497-0423108	Instructions Kit (Reference Sheet)

* Items marked with an asterisk are not called out on the image.

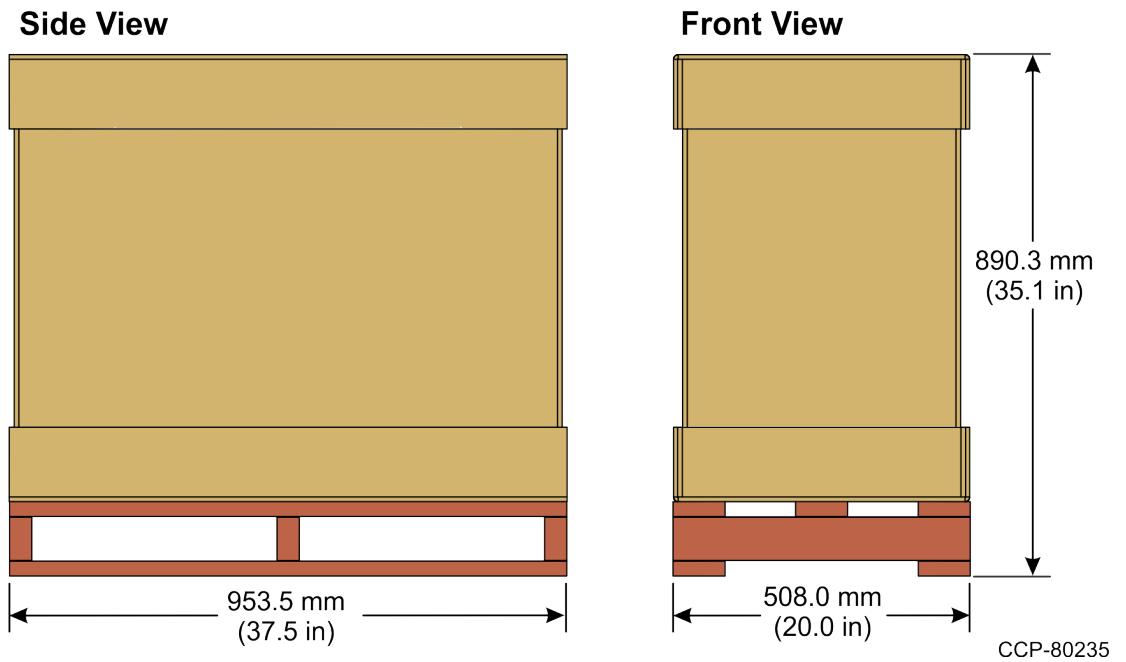
Shipping Dimension and Weight

This section shows the approximate shipping dimension and weight of the 7358-K703 1-Bag Bagwell Module (Medium Gray).



Note: These values are for reference only.

Shipping Dimension			Shipping Weight	
Height	Length	Width	Pounds (lbs)	Kilograms (kgs)
890.3 mm (35.05 in)	953.5 mm (37.54 in)	508.0 mm (20.0 in)	73 lbs	33.11 kgs



Module Dimension and Weight

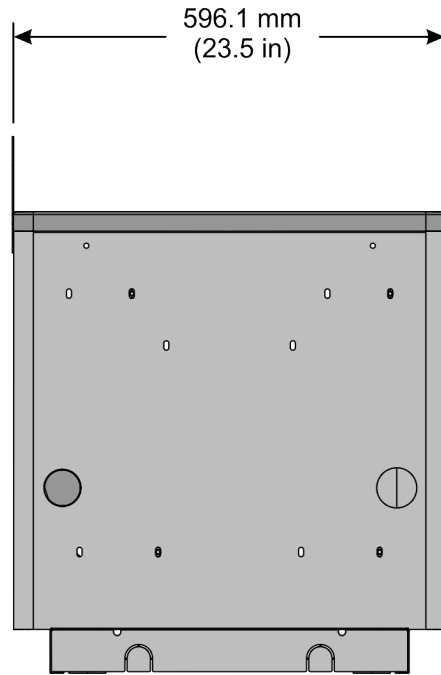
This section shows the approximate dimension and weight of the 7358-K703 1-Bag Bagwell Module (Medium Gray).



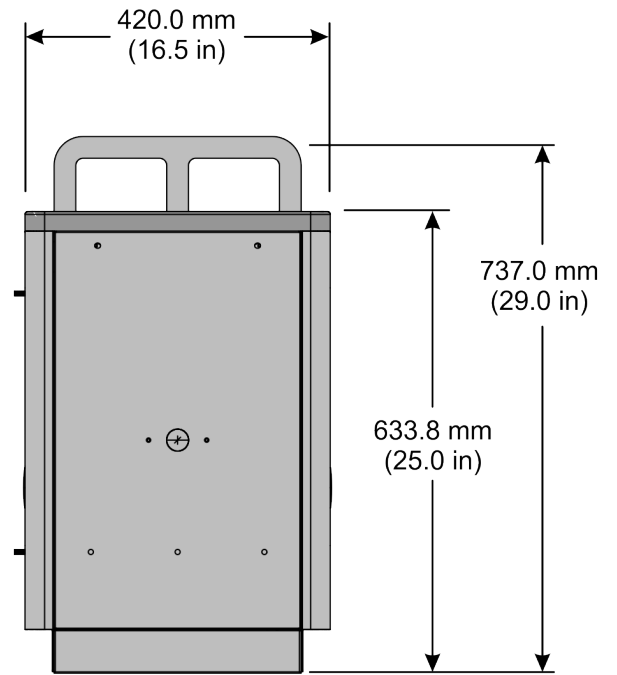
Note: These values are for reference only.

Dimension (1 Module)			Weight (1 Module)	
Height	Length	Width	Pounds (lbs)	Kilograms (kgs)
737.0 mm (29.02 in)	596.1 mm (23.47 in)	420.0 mm (16.54 in)	46.0 lbs	20.86 kgs

Side View



Front View



Required Tools

The 7358-K703 1-Bag Bagwell Module (Medium Gray) is designed to be assembled without tools. But, if a push-in rivet needs to be removed NCR recommends using any of the following tools:

- wire cutter
- flat-head screwdriver
- pliers

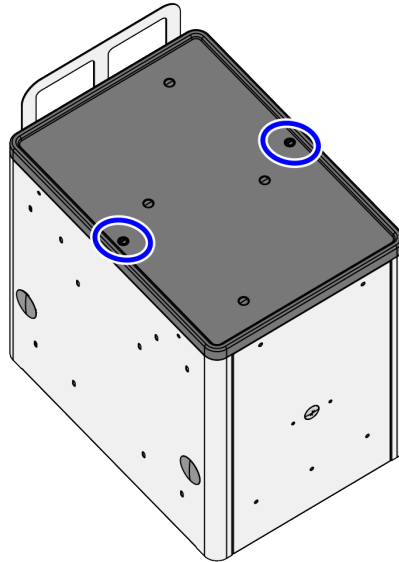
Installation Procedures

To install the 7358-K703 1-Bag Bagwell Module (Medium Gray), follow these steps:



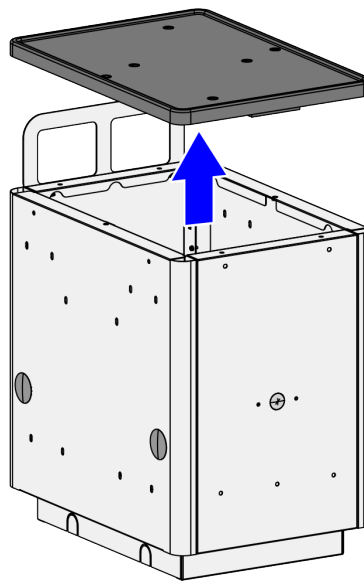
Note: The procedure uses the Right-hand (RH) orientation for reference.

1. Remove the Top Tray from the Bagwell by doing the following:
 - a. Loosen the captive screws at each end of the Top Tray, as shown in the image below.



CCP-80486

- b. Lift the Top Tray from the Bagwell.



CCP-80487

2. Install the Bagwell to the side of the SelfServ Checkout unit. Depending on the unit, refer to either of the following procedures:
 - [Installing the modular 1-Bag Bagwell to a 7358 Core Cabinet](#) on the facing page.
 - [Installing the modular 1-Bag Bagwell to a 7370 Pedestal Cabinet](#) on page 11.
 - [Installing the modular 1-Bag Bagwell to a 7360 Core Cabinet](#) on page 14.
3. Install the Top Tray on the Bagwell. For more information, refer to [Installing the modular 1-Bag Bagwell Top Tray](#) on page 16.

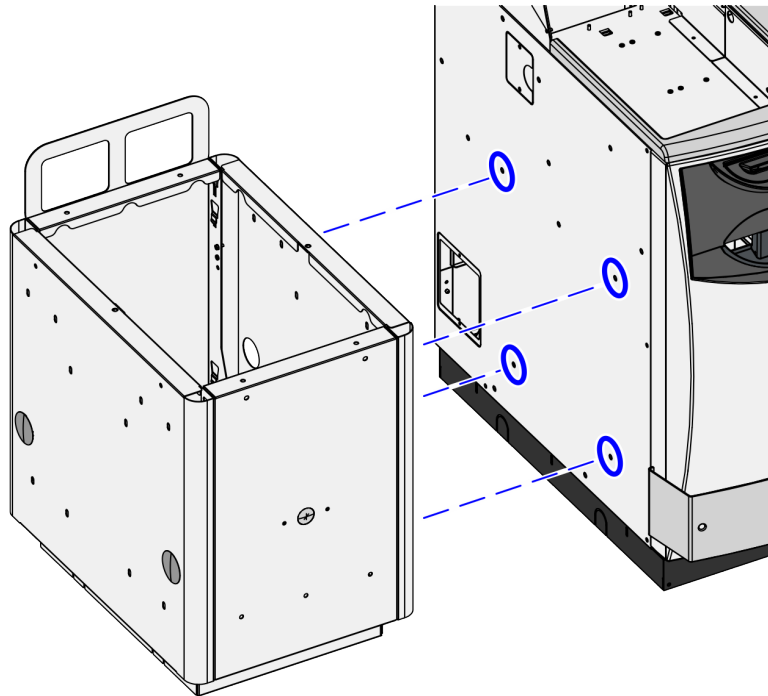
Installing the modular 1-Bag Bagwell to a 7358 Core Cabinet

To install the modular 1-Bag Bagwell to the Core Cabinet of an NCR FastLane SelfServ™ Checkout (7358), follow these steps:



Note: The procedure uses Right-hand (RH) orientation for reference. When changing Bagwell orientation, ensure that the hole plugs are reversed to the opposite side before installing in the new orientation.

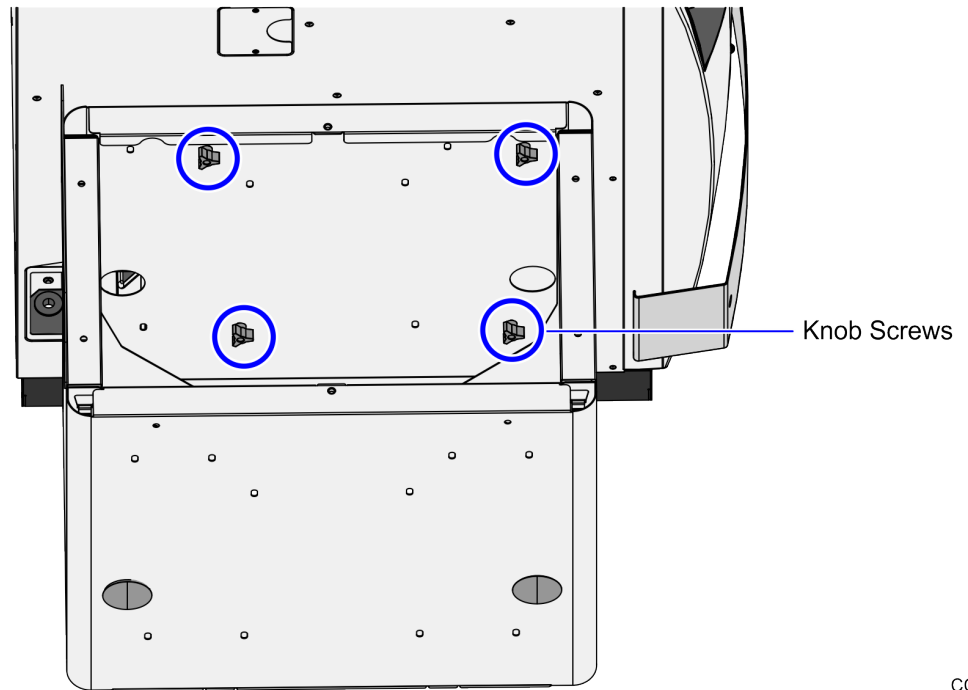
1. Align the holes on the End Panel of the Bagwell with the four (4) holes on the side of the Core Cabinet.



CCP-80450

2. Move the Bagwell beside the Core Cabinet.
3. When necessary, adjust the leveling feet to prevent the Bagwell from wobbling. Ensure that it does not wobble or rock by placing hands and exerting moderate pressure on various parts of the Bagwell.

- Secure the Bagwell using four (4) black knob screws.



CCP-80451

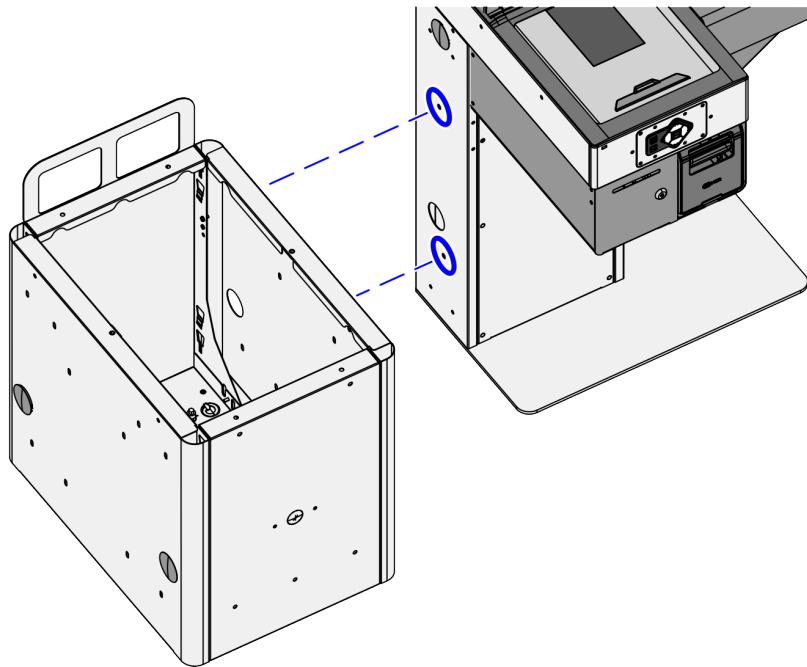
Installing the modular 1-Bag Bagwell to a 7370 Pedestal Cabinet

To install the modular 1-Bag Bagwell to the Pedestal Cabinet of an NCR FastLane SelfServ™ Checkout (7370), follow these steps:



Note: The procedure uses Right-hand (RH) orientation for reference. When changing Bagwell orientation, ensure that the hole plugs are reversed to the opposite side before installing in the new orientation.

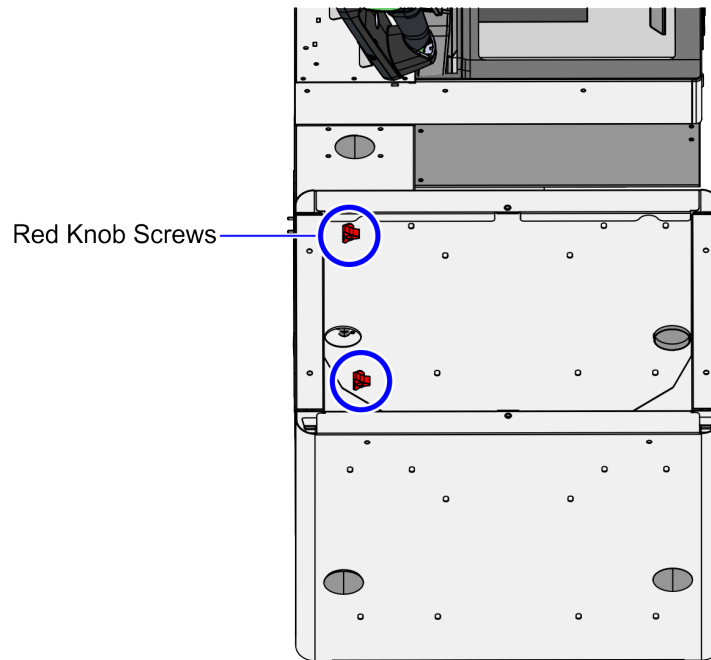
1. Align the holes on the End Panel of the Bagwell with the two (2) holes on the side of the Pedestal Cabinet.



CCP-80491

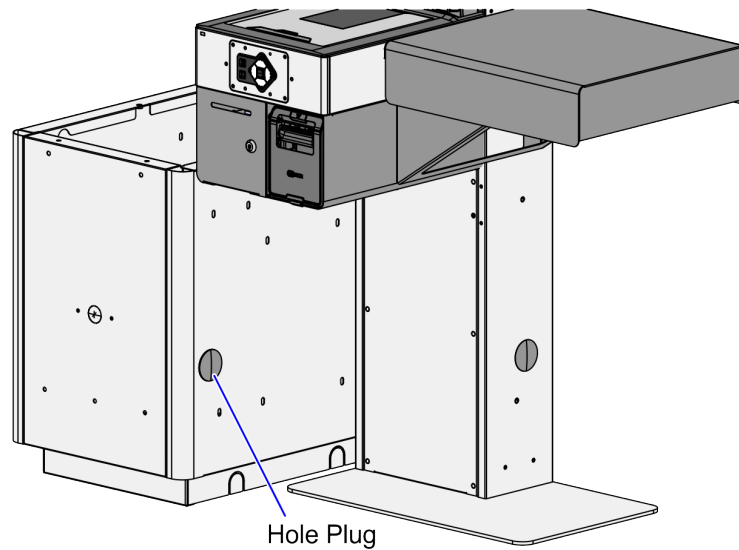
2. Move the Bagwell beside the Pedestal Cabinet.
3. When necessary, adjust the leveling feet to prevent the Bagwell from wobbling. Ensure that it does not wobble or rock by placing hands and exerting moderate pressure on various parts of the Bagwell.

- Secure the Bagwell using two (2) red knob screws.



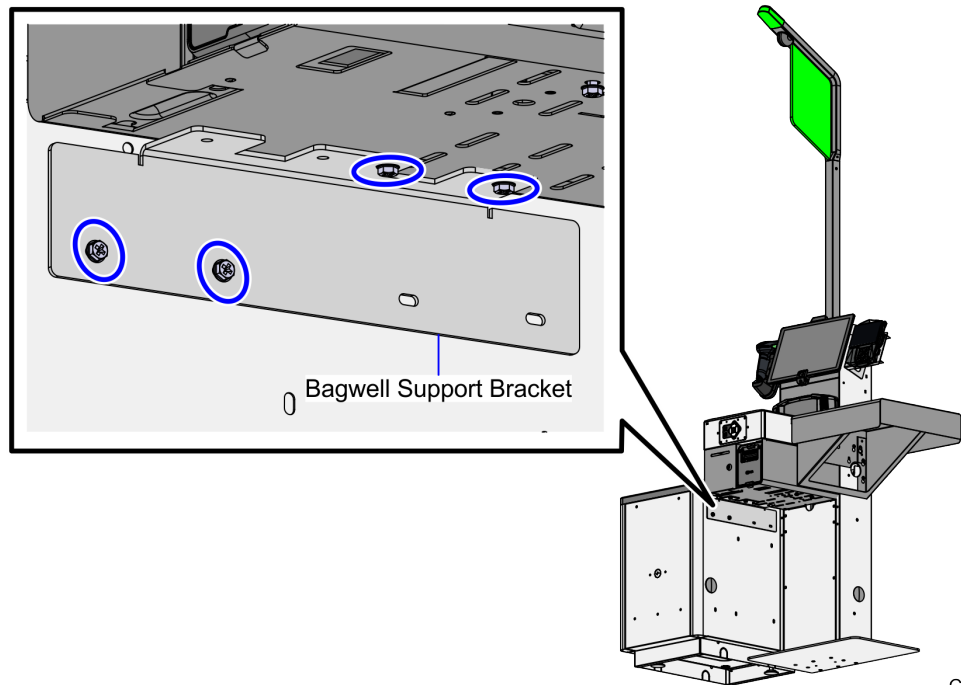
CCP-80492

- Install a hole plug in the area not covered by the Pedestal Cabinet, as shown in the example below.



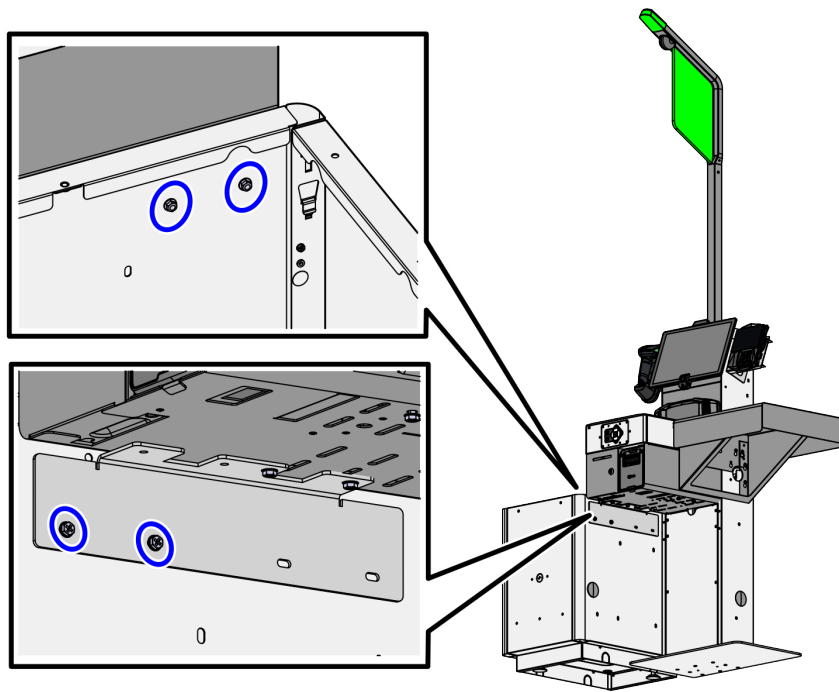
CCP-80522

6. Install the Bagwell Support Bracket by doing the the following:
 - a. Attach the Bagwell Support Bracket using two (2) bolts on the underside of the Scanner Bucket and two (2) bolts on the Bagwell.



CCP-81216

- b. Secure the two (2) bolts inside the Bagwell using two (2) nuts.



CCP-81217

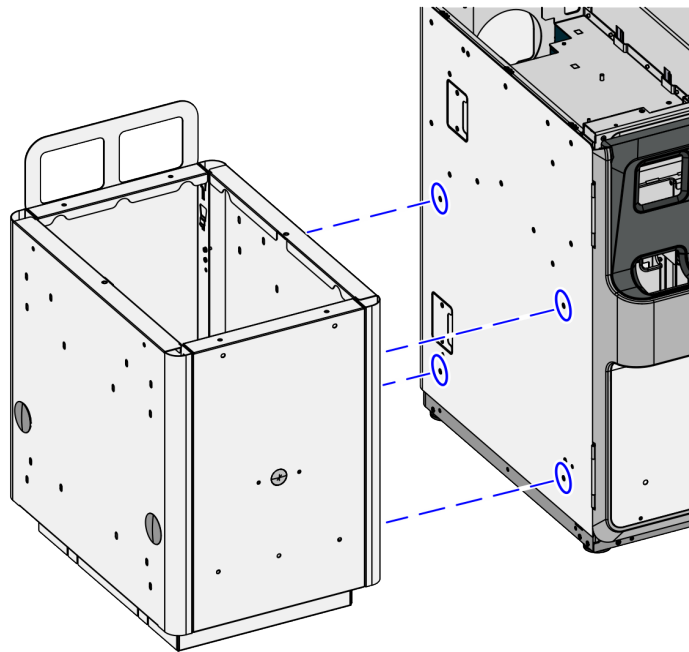
Installing the modular 1-Bag Bagwell to a 7360 Core Cabinet

To install the modular 1-Bag Bagwell to the Core Cabinet of an NCR FastLane SelfServ™ Checkout (7360) unit, follow these steps:



Note: The procedure uses Right-hand (RH) orientation for reference. When changing Bagwell orientation, ensure that the hole plugs are reversed to the opposite side before installing in the new orientation.

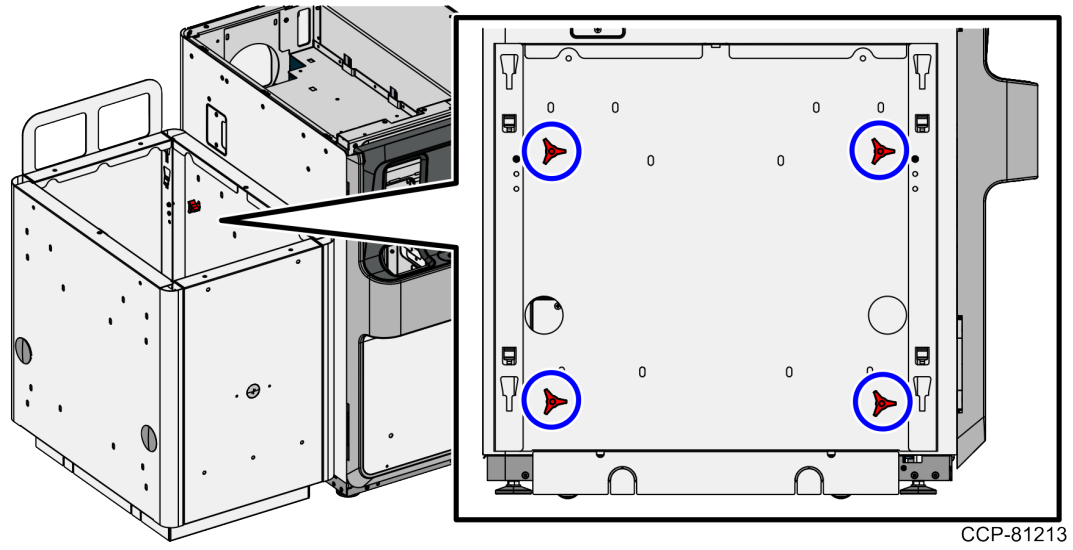
1. Align the holes on the End Panel of the Bagwell with the four (4) holes on the side of the Core Cabinet.



CCP-81212

2. Move the Bagwell beside the Core Cabinet.
3. When necessary, adjust the leveling feet to prevent the Bagwell from wobbling. Ensure that it does not wobble or rock by placing hands and exerting moderate pressure on various parts of the Bagwell.

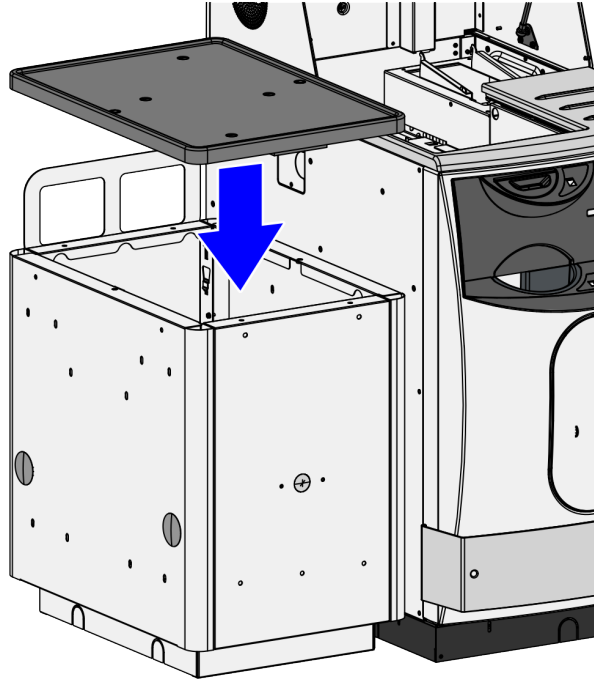
4. Secure the Bagwell using four (4) M6 red knob screws.



Installing the modular 1-Bag Bagwell Top Tray

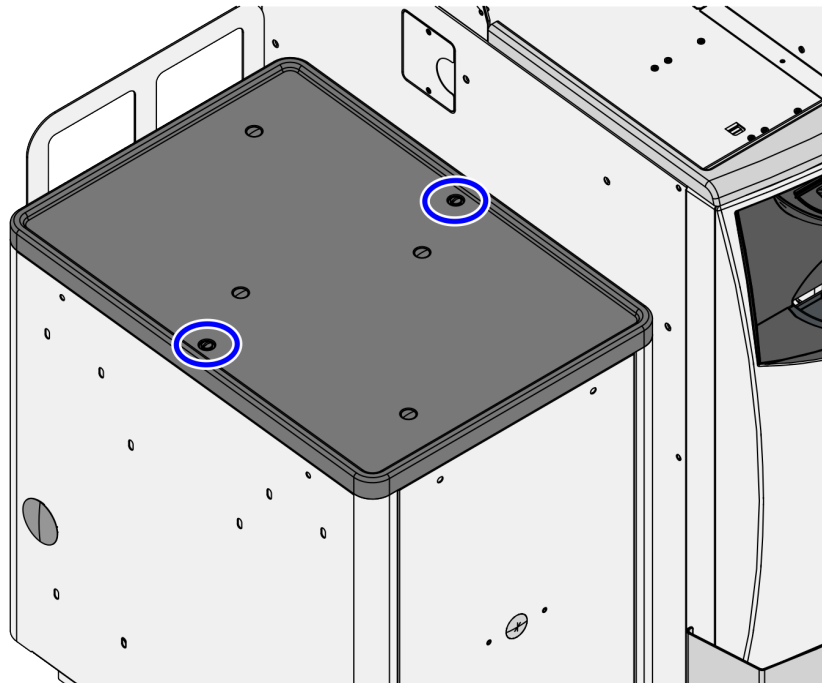
To install the Top Tray on the Bagwell, follow these steps:

1. Place the Top Tray on the Bagwell. Ensure that the captive screws on both ends of the Top Tray are aligned with the corresponding screw holes on Bagwell.



CCP-80453

2. Tighten the captive screws to secure the Top Tray on the Bagwell.



CCP-80454

Changing the Modular 1-Bag Bagwell Orientation

To change the orientation of the Bagwell, follow these steps:



Note: For the purpose of illustration only, this procedure shows images using Right-hand (RH) orientation.

1. Remove the Top Tray from the Bagwell. For more information, refer to [Removing the modular 1-Bag Bagwell Top Tray](#) on the next page.
2. Remove the Bagwell assembly. Depending on the unit, refer to either of the following procedures:
 - [Removing the modular 1-Bag Bagwell from a 7358 Core Cabinet](#) on page 20.
 - [Removing the modular 1-Bag Bagwell from a 7370 Pedestal Cabinet](#) on page 22.
 - [Removing the modular 1-Bag Bagwell from a 7360 Core Cabinet](#) on page 25.
3. Install the Bagwell assembly on the other side of the SelfServ Checkout unit. Depending on the unit, refer to either of the following procedures:



Note: Ensure that the hole plugs are inserted at the opposite side before installing in the new orientation.

- [Installing the modular 1-Bag Bagwell to a 7358 Core Cabinet](#) on page 9.
- [Installing the modular 1-Bag Bagwell to a 7370 Pedestal Cabinet](#) on page 11.
- [Installing the modular 1-Bag Bagwell to a 7360 Core Cabinet](#) on page 14.



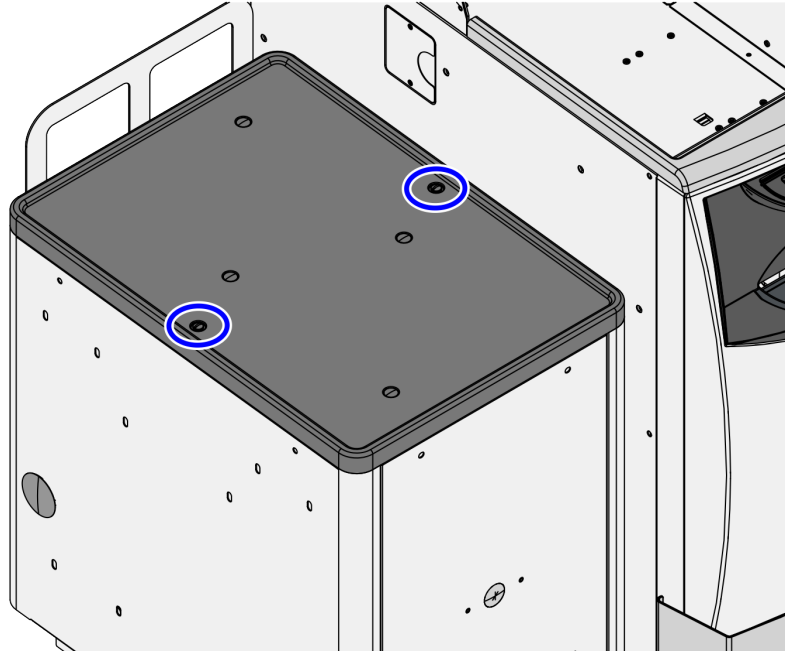
Note: Ensure that the hole plugs are inserted at the opposite side before installing in the new orientation.

4. Install the Top Tray. For more information, refer to [Installing the modular 1-Bag Bagwell Top Tray](#) on the previous page.

Removing the modular 1-Bag Bagwell Top Tray

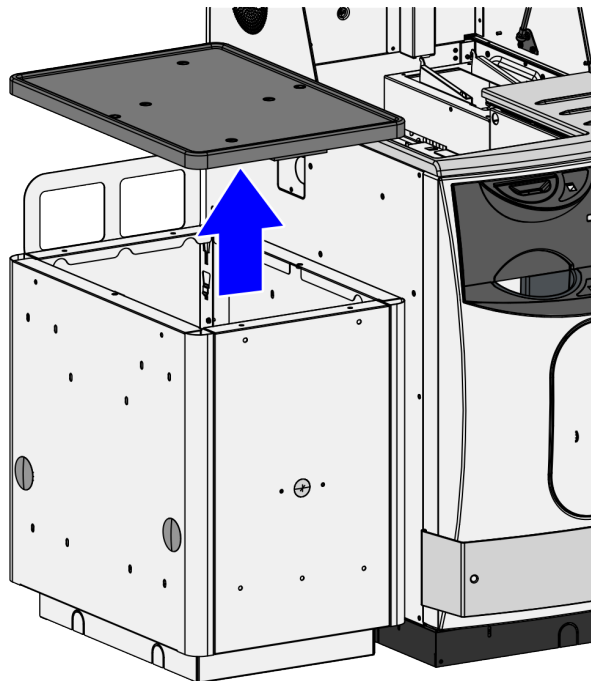
To remove the Top Tray from the Bagwell, follow these steps:

1. Loosen the captive screws at each end of the Top Tray, as shown in the image below.



CCP-80454

2. Lift the Top Tray from the Corner Bagwell.

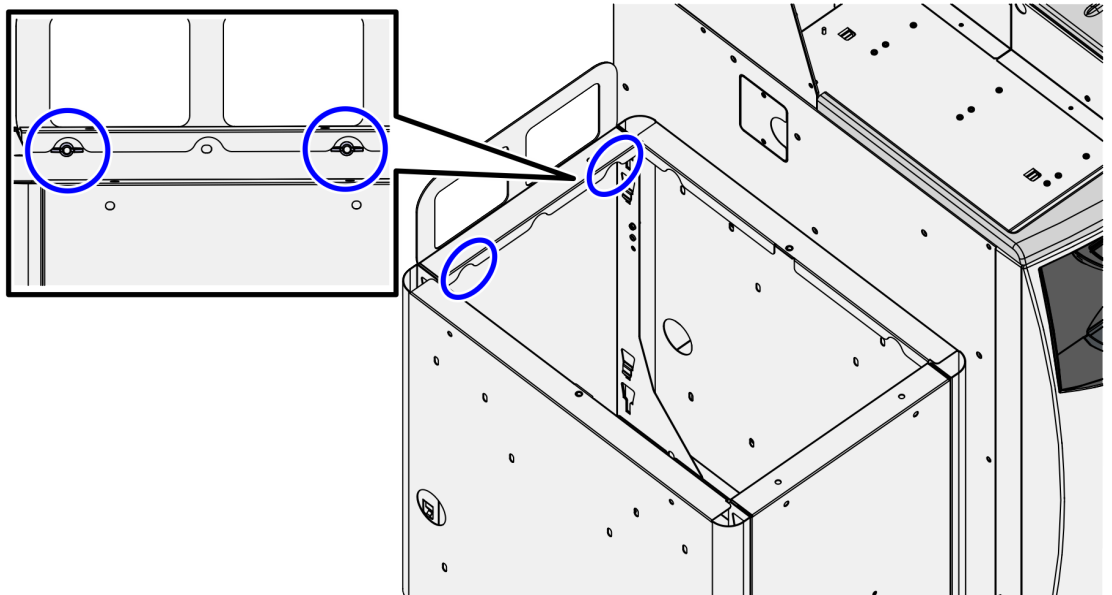


CCP-80455

Removing Bagwell Fence

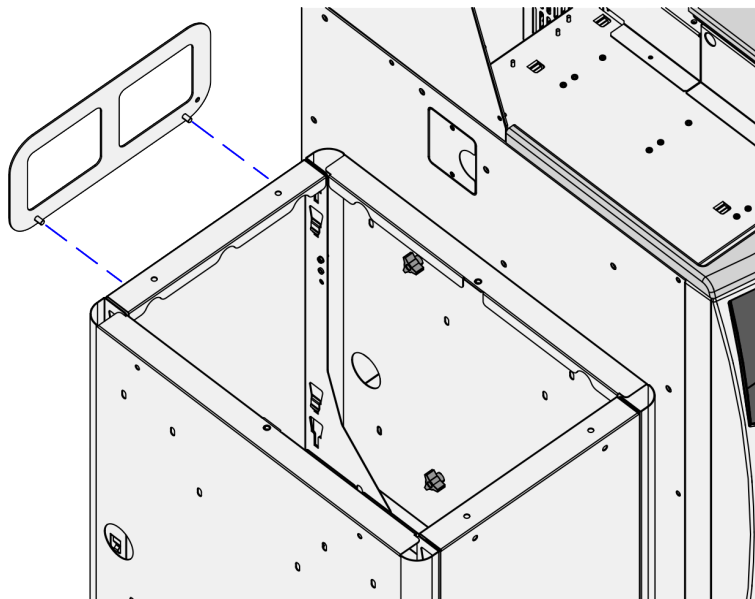
To remove the Bagwell fence, follow these steps:

1. Remove the Bagwell Top Tray. For more information, refer to [Removing the modular 1-Bag Bagwell Top Tray](#) on the previous page.
2. Remove two (2) wing nuts that are securing the Rear Fence to the Bagwell.



CCP-80456

3. Detach the Rear Fence from the Bagwell.



CCP-80457

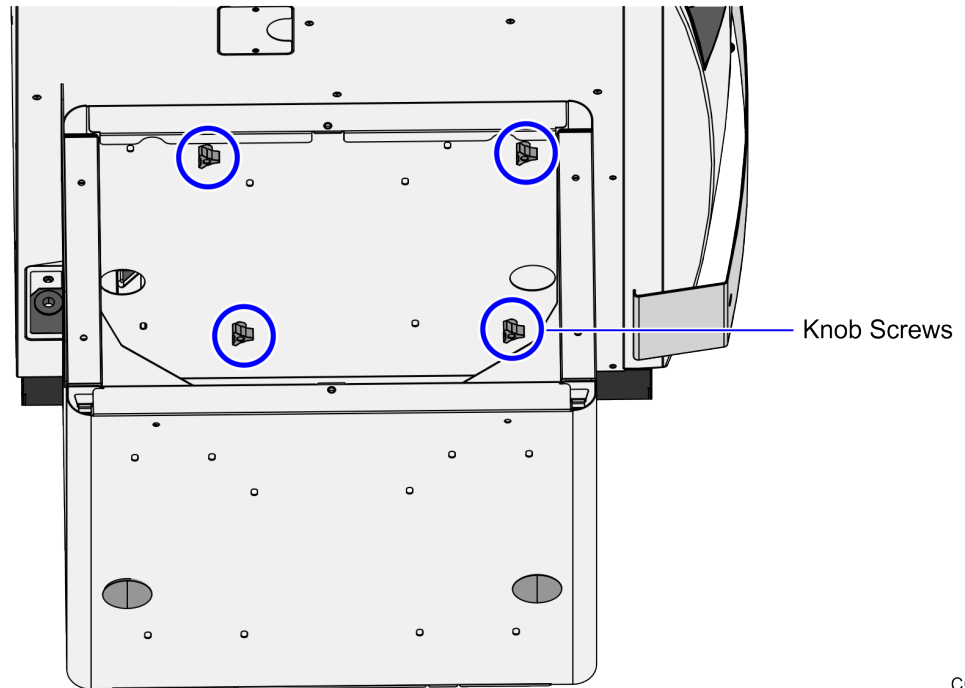
Removing the modular 1-Bag Bagwell from a 7358 Core Cabinet

To remove the modular 1-Bag Bagwell from the Core Cabinet of an NCR FastLane SelfServ™ Checkout (7358), follow these steps:

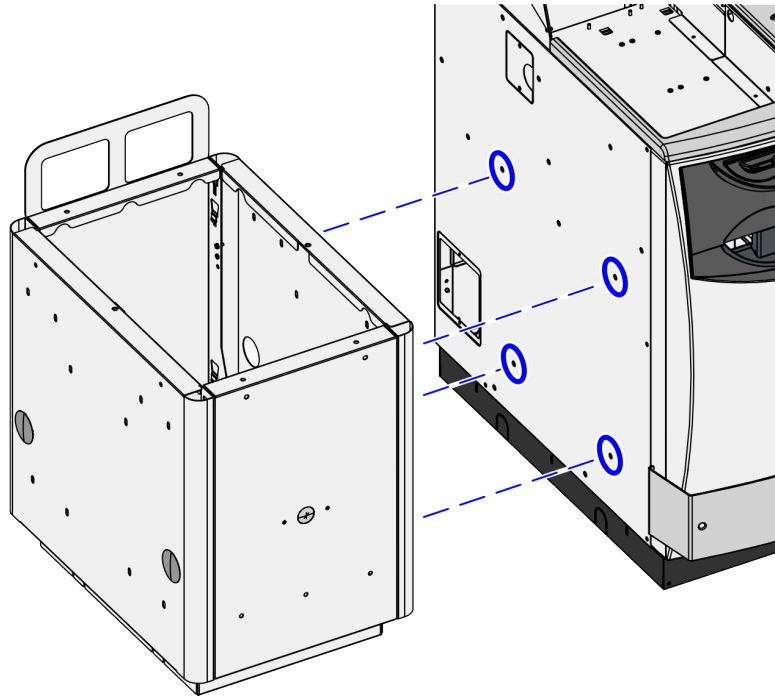


Note: The procedure uses the Right-hand (RH) orientation for reference.

1. Remove the Top Tray. For more information, refer to [Removing the modular 1-Bag Bagwell Top Tray](#) on page 18.
2. Remove four (4) black knob screws that are securing the Bagwell to the Core Cabinet.



3. Pull the Bagwell assembly away from the Core Cabinet, as shown in the image below.



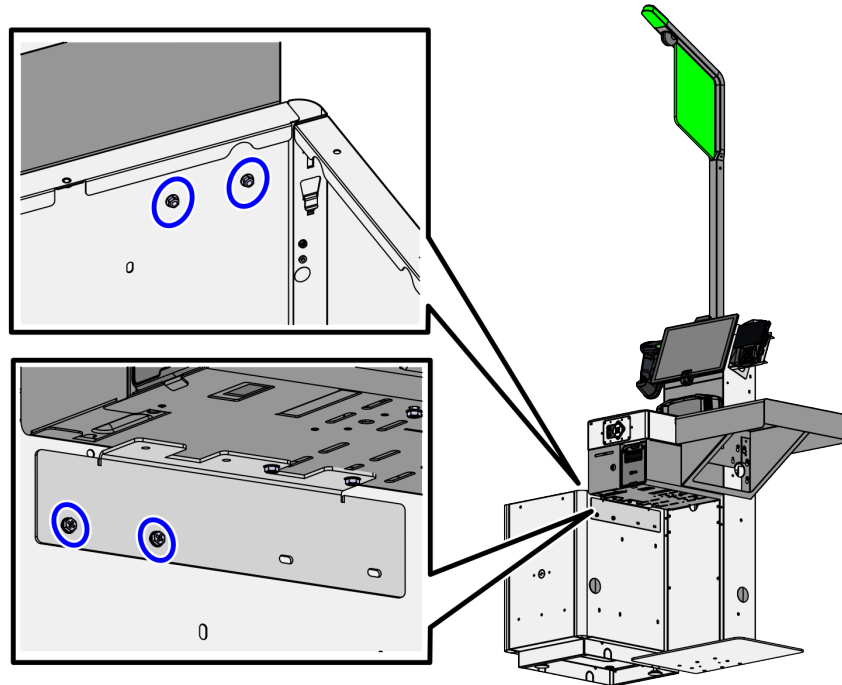
Removing the modular 1-Bag Bagwell from a 7370 Pedestal Cabinet

To remove the modular 1-Bag Bagwell from the Pedestal Cabinet of an NCR FastLane SelfServ™ Checkout (7370), follow these steps:

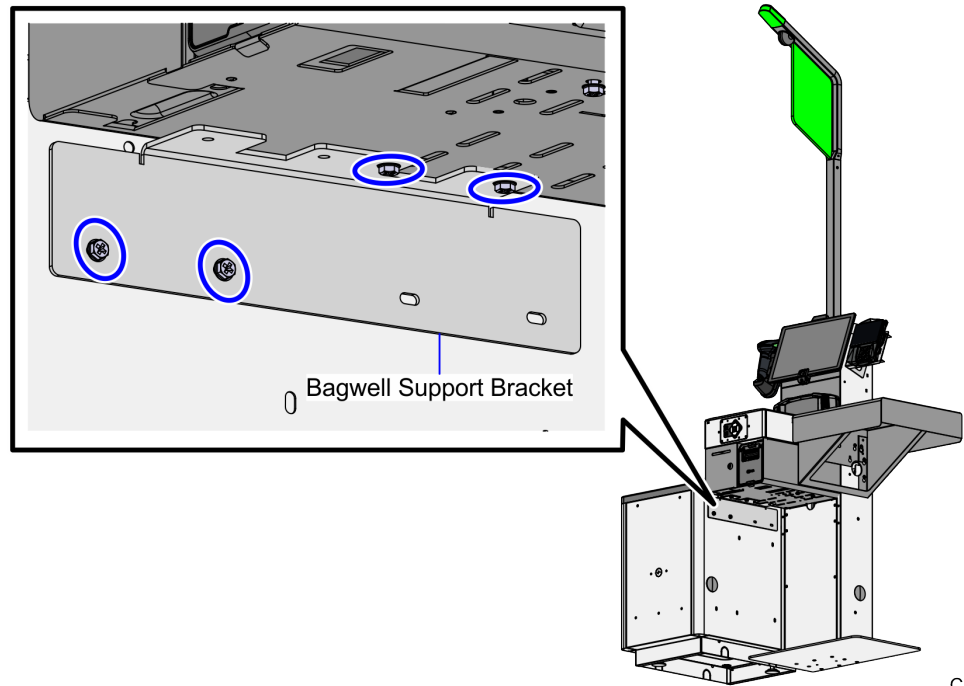


Note: The procedure uses the Right-hand (RH) orientation for reference.

1. Remove the Top Tray. For more information, refer to [Removing the modular 1-Bag Bagwell Top Tray](#) on page 18.
2. Detach the Bagwell Support Bracket by doing the following:
 - a. Remove two (2) nuts inside the Bagwell, as shown in the image below.

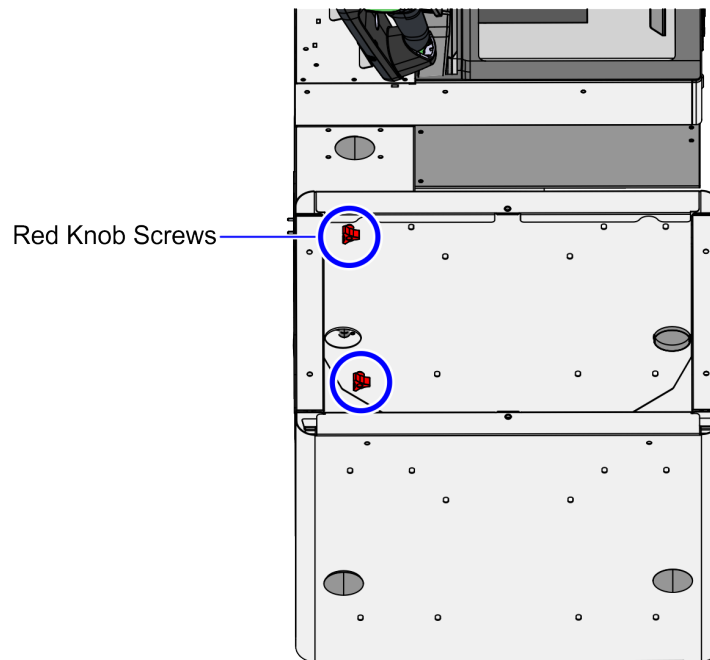


- b. Remove two (2) bolts from the underside of the Scanner Bucket and two (2) bolts from the Bagwell.



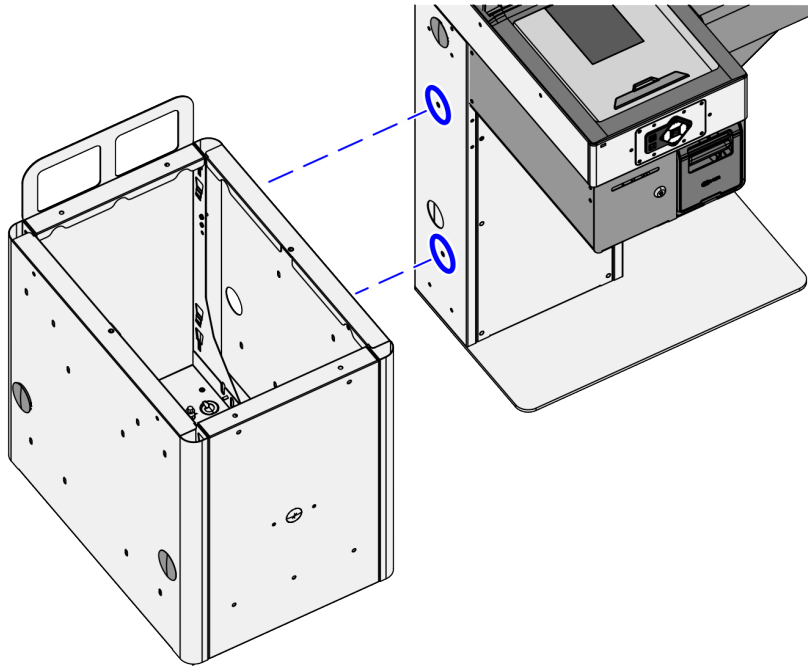
CCP-81216

- 3. Remove two (2) red knob screws to detach the Bagwell to the Pedestal Cabinet.



CCP-80492

4. Pull the Bagwell assembly away from the Pedestal Cabinet, as shown in the image below.



CCP-80491

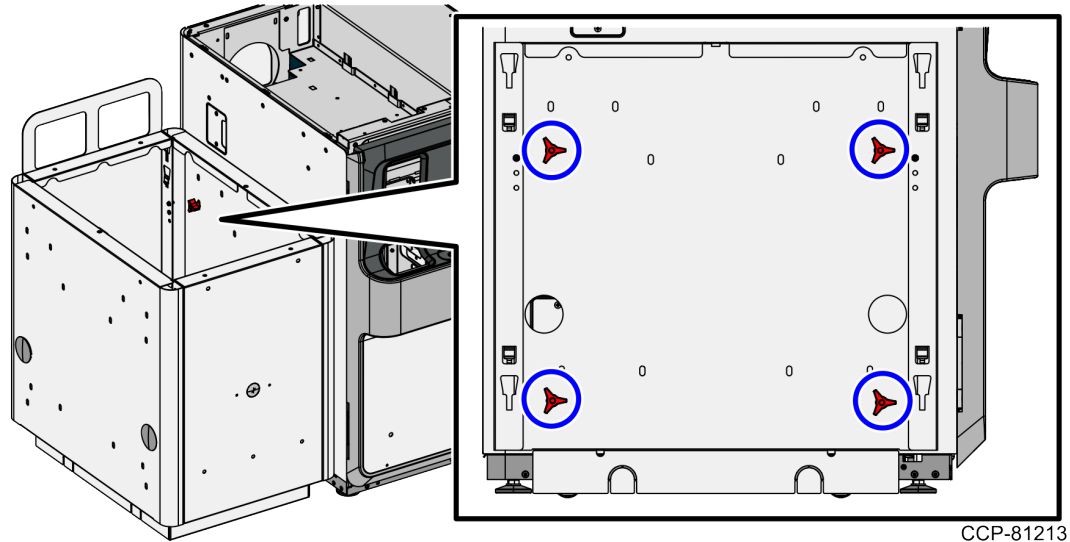
Removing the modular 1-Bag Bagwell from a 7360 Core Cabinet

To remove the modular 1-Bag Bagwell from the Core Cabinet of an NCR FastLane SelfServ™ Checkout (7360) unit, follow these steps:



Note: The procedure uses the Right-hand (RH) orientation for reference.

1. Remove the Top Tray. For more information, refer to [Removing the modular 1-Bag Bagwell Top Tray](#) on page 18.
2. Remove four (4) M6 red knob screws to detach the Bagwell to the Core Cabinet.



3. Pull the Bagwell assembly away from the Core Cabinet, as shown in the image below.

