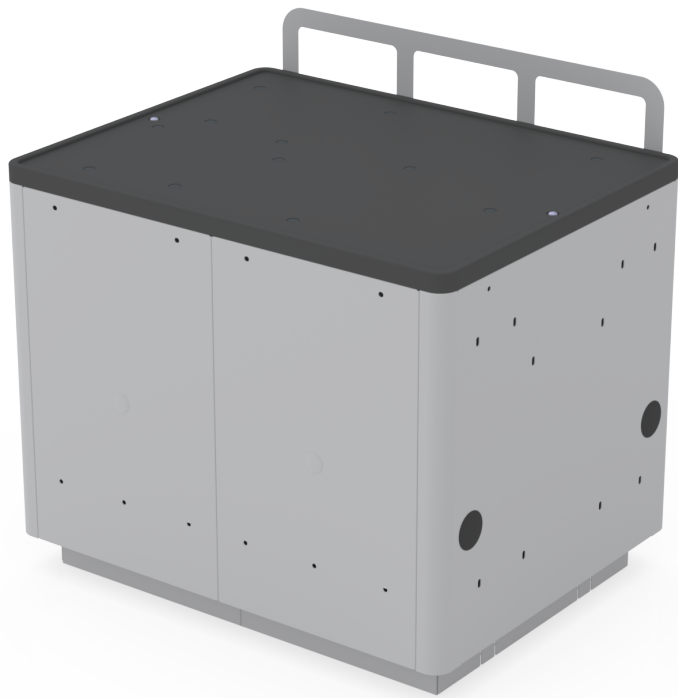


# Kit Instructions

2-Bag Bagwell Module (Medium Gray)



7358-K702  
Issue C



The product described in this document is a licensed product of NCR Corporation.

NCR is a registered trademark of NCR Corporation. NCR FastLane SelfServ™ Checkout is a trademark of NCR Corporation in the United States and/or other countries. Other product names mentioned in this publication may be trademarks or registered trademarks of their respective companies and are hereby acknowledged.

The terms HDMI and HDMI High-Definition Multimedia Interface, and the HDMI Logo are trademarks or registered trademarks of HDMI Licensing LLC in the United States and other countries.

Where creation of derivative works, modifications or copies of this NCR copyrighted documentation is permitted under the terms and conditions of an agreement you have with NCR, NCR's copyright notice must be included.

It is the policy of NCR Corporation (NCR) to improve products as new technology, components, software, and firmware become available. NCR, therefore, reserves the right to change specifications without prior notice.

All features, functions, and operations described herein may not be marketed by NCR in all parts of the world. In some instances, photographs are of equipment prototypes. Therefore, before using this document, consult with your NCR representative or NCR office for information that is applicable and current.

Copyright © 2022  
By NCR Corporation  
Global Headquarters  
864 Spring St. NW  
Atlanta, GA 30308  
United States  
All Rights Reserved

## Revision Record

Issue	Date	Remarks
A	Mar 2021	First Issue
B	May 2021	<ul style="list-style-type: none"><li>• Updated illustration and part numbers in the Kit Contents section.</li><li>• Updated procedures.</li><li>• Added procedures for NCR FastLane SelfServ™ Checkout (7370).</li></ul>
C	Aug 2022	Added procedures for NCR FastLane SelfServ™ Checkout (7360).



---

# 2-Bag Bagwell Module (Medium Gray)

---

This publication provides the steps for installing the 7358-K702 2-Bag Bagwell Module (Medium Gray) to a SelfServ Checkout unit. The kit is designed using modules that are ready to be assembled at the site.

The NCR FastLane SelfServ™ Checkout with a Bagging Area (Bagwell) Module or Large Basket (Large Basket) Module can be configured for either Left-hand (LH) orientation or Right-hand (RH) orientation, which refers to the direction customers scan and bag items.

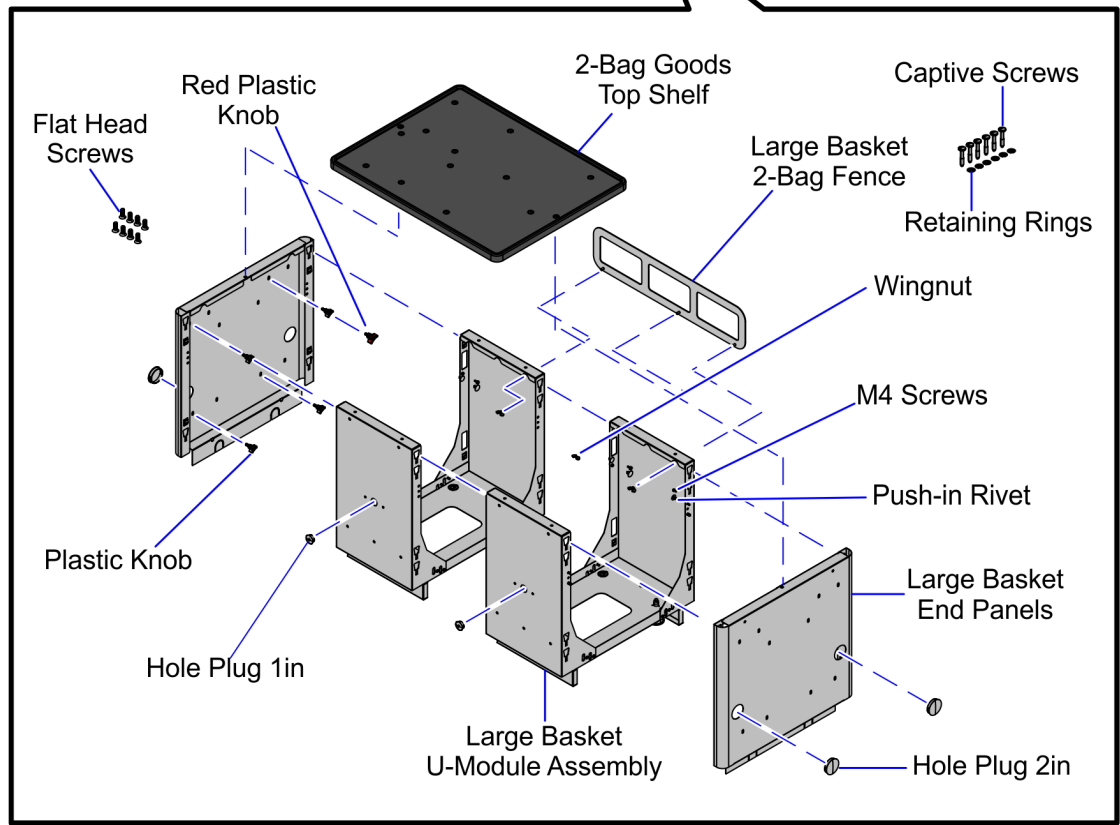
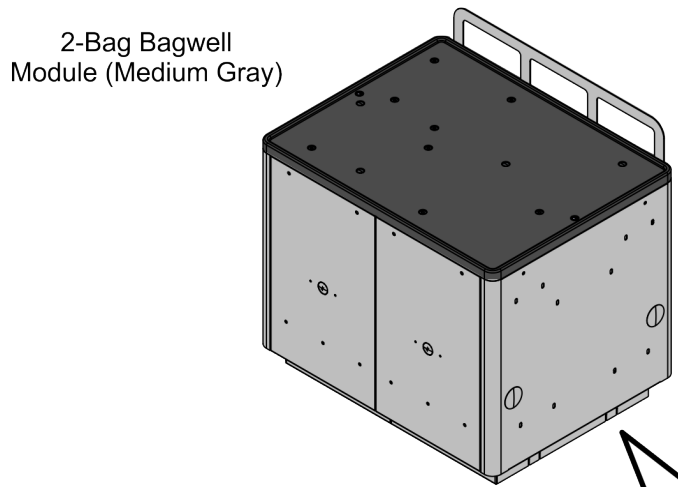
- **Left-hand (LH) orientation**—Customers scan from left to right.
- **Right-hand (RH) orientation**—Customers scan from right to left.




**Note:** The orientation of the unit is determined by the position of the Lower Core (Cabinet) Module in relation to the Bagwell or Large Basket.












**Example:** The Left-hand (LH) unit has the Cabinet positioned on the left side of the Bagwell or Large Basket.

# Kit Contents



CCP-80565

	Part Number	Description
	497-0530819	Large Basket 2-Bag Module Kit (WM Medium Gray)
	006-8627877	Push In Rivet, 0.25", Black (6 pcs)

	Part Number	Description
	006-8627878	Wingnut, 1/4-20, Zinc-Plated Steel (3 pcs)
	006-8627935	Screw, Flat Head, M6 X 16Mm L, Steel (8 pcs) <b>Note:</b> If needed, use these screws to mount Bag Racks on the Top Trays.
	006-8628097	Plastic Knob, 1/4-20 X 5/8" Steel Stud (4 pcs)
	006-8628098	Plastic Knob, Red, M6X1Mm X 15Mm, Steel Stud (4 pcs)
	497-0528562	Large Basket, 2-Bag Fence
	497-0528631	Goods Shelf, 2-Bag, Top
	497-0530517	Hole Plug, 1.000", WM Medium Gray (2 pcs)
	497-0530518	Hole Plug, 2.000", WM Medium Gray (3 pcs)
	795-0291828	Large Basket End Panel (WM Medium Gray) (2 pcs)
	795-0287628	Hole Cover Label For LBSCO (WM Medium Gray)
	795-0287828	Large Basket U-Module Assembly (WM Medium Gray) (2 pcs)
*	497-0423108	Instructions Kit (Reference Sheet)

\* Items marked with an asterisk are not called out on the image.

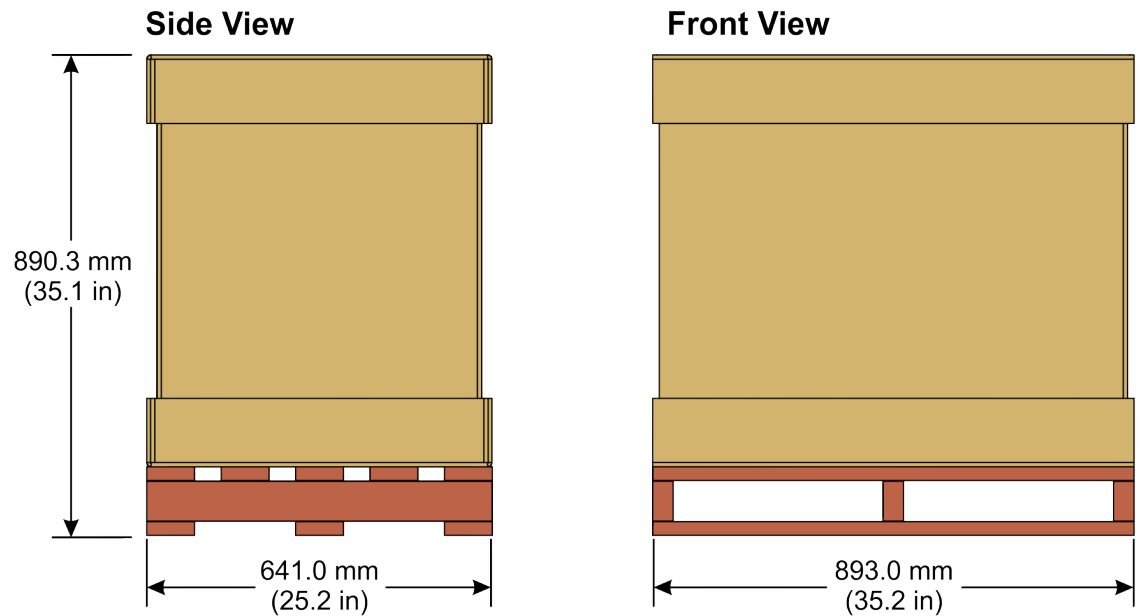
## Shipping Dimension and Weight

This section shows the approximate shipping dimension and weight of the 7358-K702 2-Bag Bagwell Module (Medium Gray).



**Note:** These values are for reference only.

Shipping Dimension			Shipping Weight	
Height	Length	Width	Pounds (lbs)	Kilograms (kgs)
890.3 mm (35.05 in)	641.0 mm (25.24 in)	893.0 mm (35.16 in)	100.0 lbs	45.36 kgs



CCP-80236



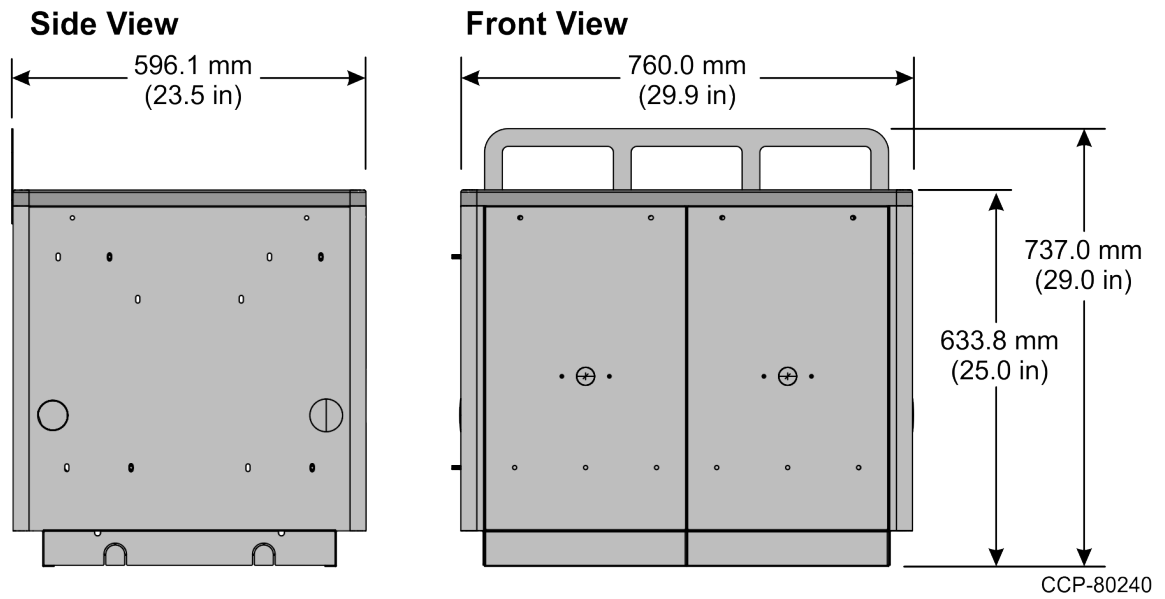
# Module Dimension and Weight

This section shows the approximate dimension and weight of the 7358-K702 2-Bag Bagwell Module (Medium Gray).



**Note:** These values are for reference only.

Module Dimension			Module Weight	
Height	Length	Width	Pounds (lbs)	Kilograms (kgs)
737.0 mm (29.02 in)	596.1 mm (23.47 in)	760.0 mm (29.92 in)	100 lbs	45.36 kgs



## Required Tools

The 7358-K702 2-Bag Bagwell Module (Medium Gray) is designed to be assembled without tools. But, if a push-in rivet needs to be removed NCR recommends using any of the following tools:

- wire cutter
- flat-head screwdriver
- pliers

# Installation Procedures

Installing the 7358-K702 2-Bag Bagwell Module (Medium Gray) involves the following procedures:

1. [Setting up the modular 2-Bag Bagwell](#) on the next page.
2. Installing the Bagwell to the SelfServ Checkout unit. Depending on the unit, refer to either of the following procedures:
  - [Installing the modular 2-Bag Bagwell to a 7358 Core Cabinet](#) on page 14.
  - [Installing the modular 2-Bag Bagwell to a 7370 Pedestal Cabinet](#) on page 16.
  - [Installing the modular 2-Bag Bagwell to a 7360 Core Cabinet](#) on page 19.
3. [Installing Modular 2-Bag Bagwell Fence](#) on page 13.
4. [Installing Modular 2-Bag Bagwell Top Tray](#) on page 21.

## Setting up the modular 2-Bag Bagwell

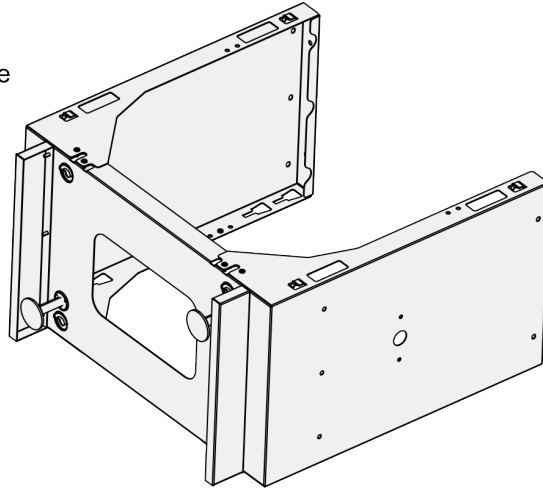
Set up the modular Bagwell before installing the assembly to the Core Cabinet Door.



**Note:** The procedure uses the Right-hand (RH) orientation for reference.

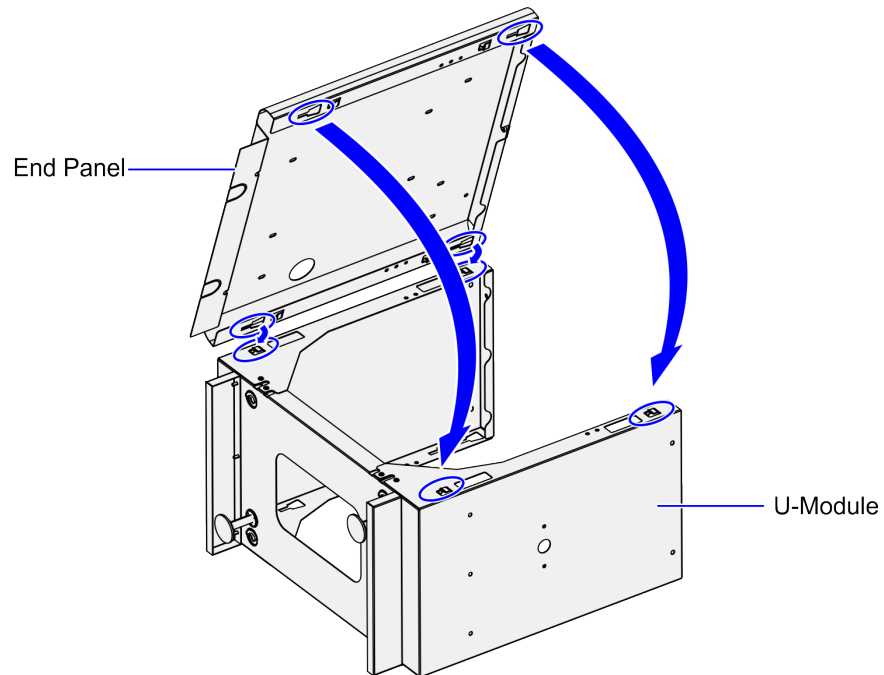
1. Lay the U-Module on its side as shown in the image below.

Large Basket U-Module



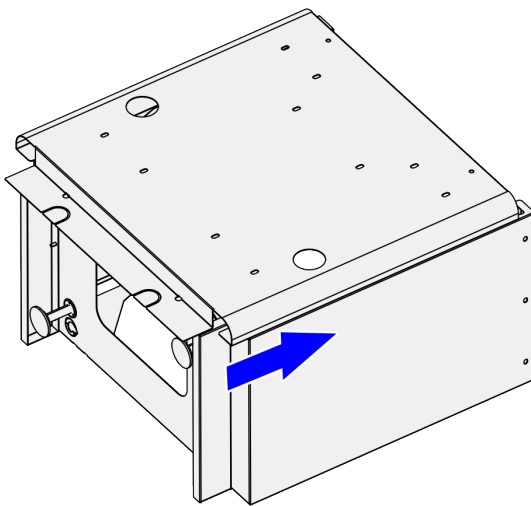
CCP-80284

2. Attach the End Panel by doing the following:
  - a. Align and insert the hooks (two on each side) of the End Panel to the corresponding slots on the U-Module.



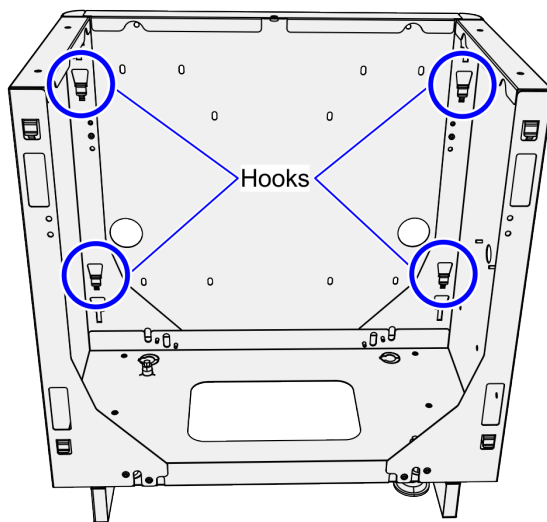
CCP-80285

- b. Slide the hooks into the U-Module slots to engage the hooks. Ensure that the End Panel snaps in place.



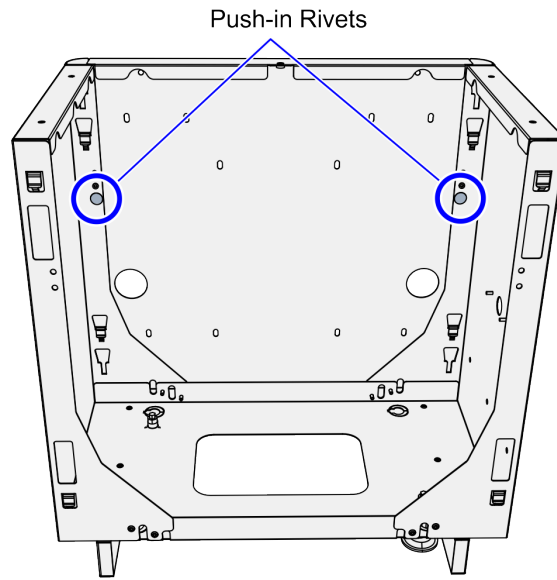
CCP-80286

- c. Verify that all hooks are properly engaged.



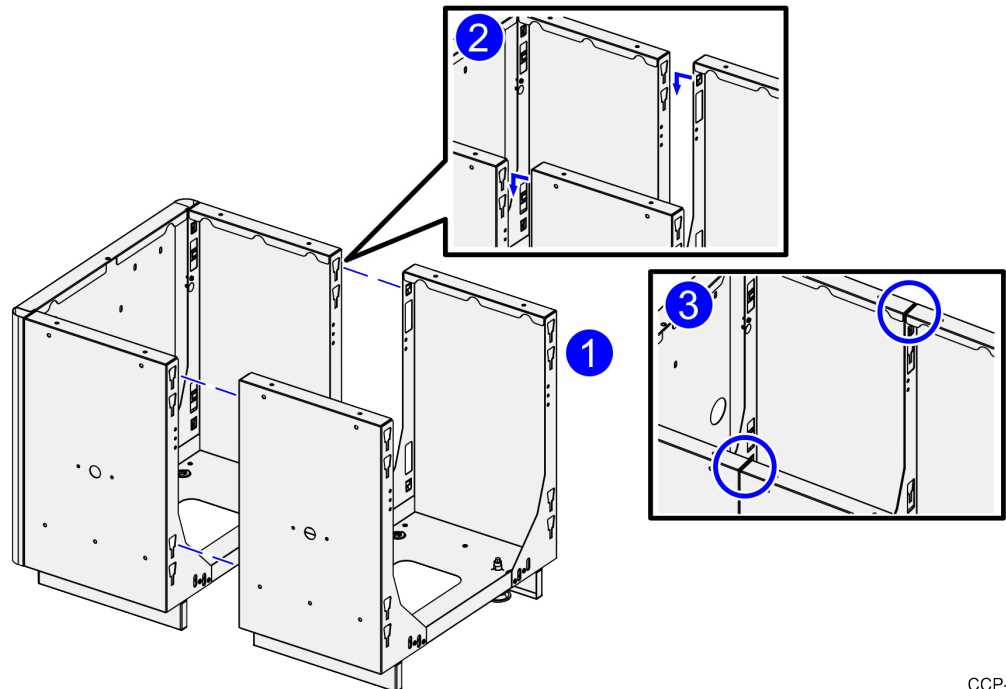
CCP-80287

- d. Fasten the End Panel and U-Module together using two (2) push-in rivets.



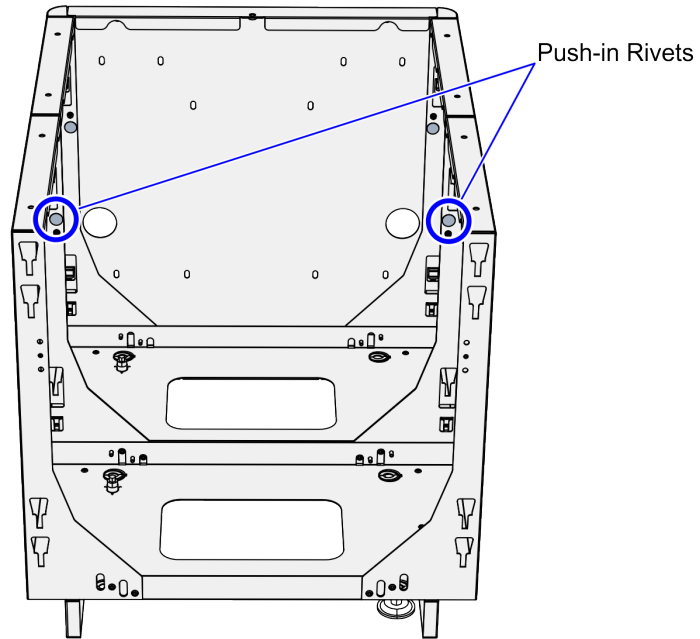
CCP-80288

3. Attach the U-Module to the U-Module assembly by doing the following:
- a. Align the hooks with the slots (two on each side) of the Center Panel assembly, and then slide down to engage the hooks. Ensure that the Modules are secure and well-aligned.



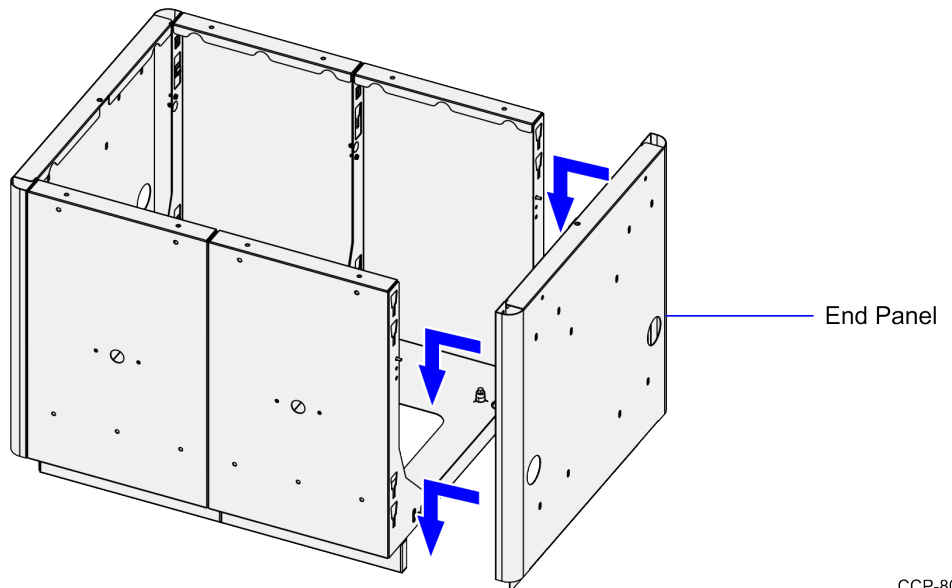
CCP-80460

- b. Fasten the U-Modules together using using two (2) push-in rivets.



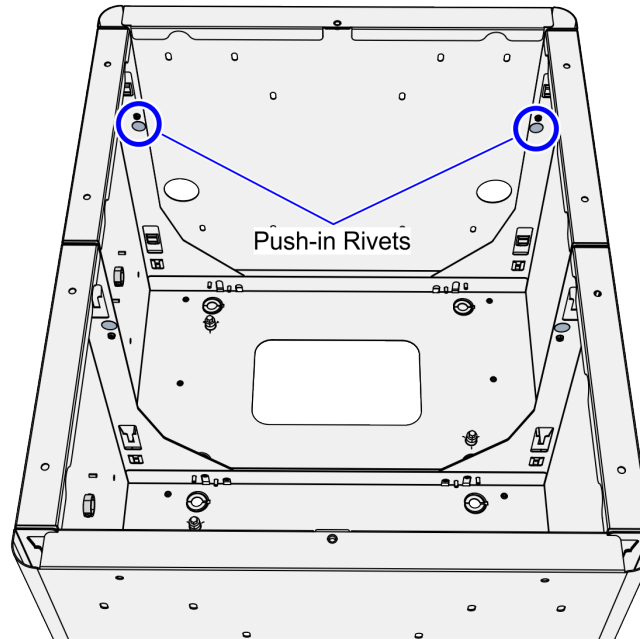
CCP-80461

- 4. Attach the End Panel to the U-Module assembly by doing the following:
  - a. Align the hooks with the slots (two on each side) of the U-Module assembly, and then slide down to engage the hooks. Ensure that the Modules are secure and well-aligned.



CCP-80462

- b. Fasten the End Panel and U-Module together using two (2) push-in rivets.



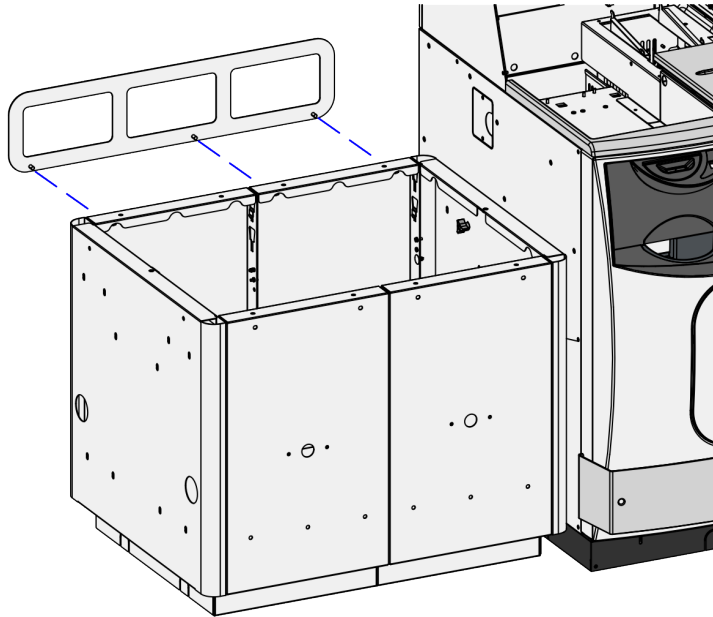
CCP-80471



## Installing Modular 2-Bag Bagwell Fence

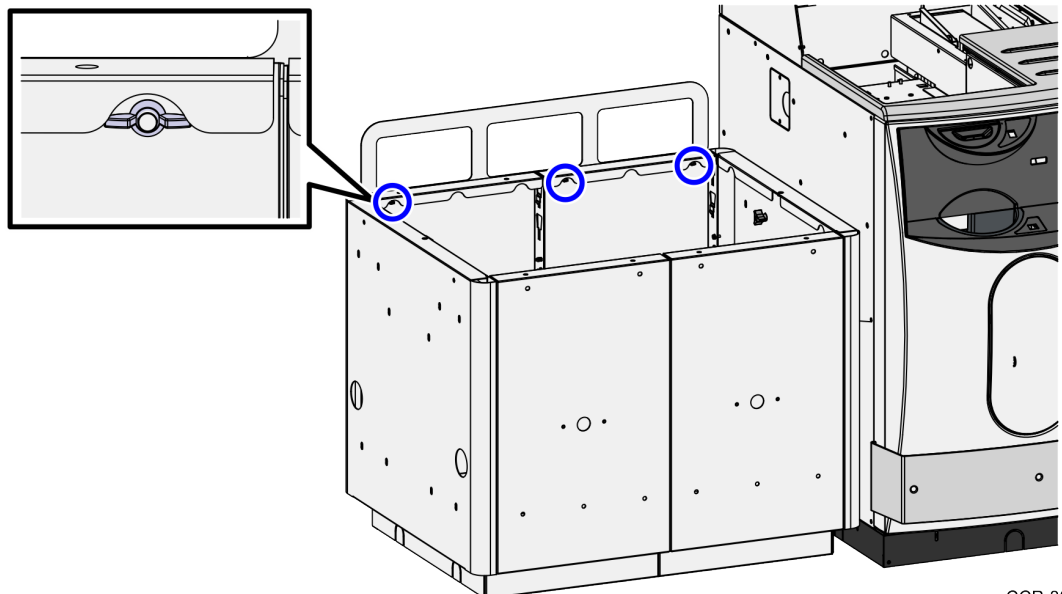
To install the Bagwell fence, follow these steps:

1. Assemble the modular 2-Bag Bagwell. For more information, refer to [Setting up the modular 2-Bag Bagwell](#) on page 8.
2. Install the modular 2-Bag Bagwell assembly. For more information, refer to [Installing the modular 2-Bag Bagwell to a 7358 Core Cabinet](#) on the next page.
3. Insert the Fence studs into the corresponding holes on the Bagwell, as shown in the image below.



CCP-80463

4. Secure the Fence using three (3) wing nuts.



CCP-80464

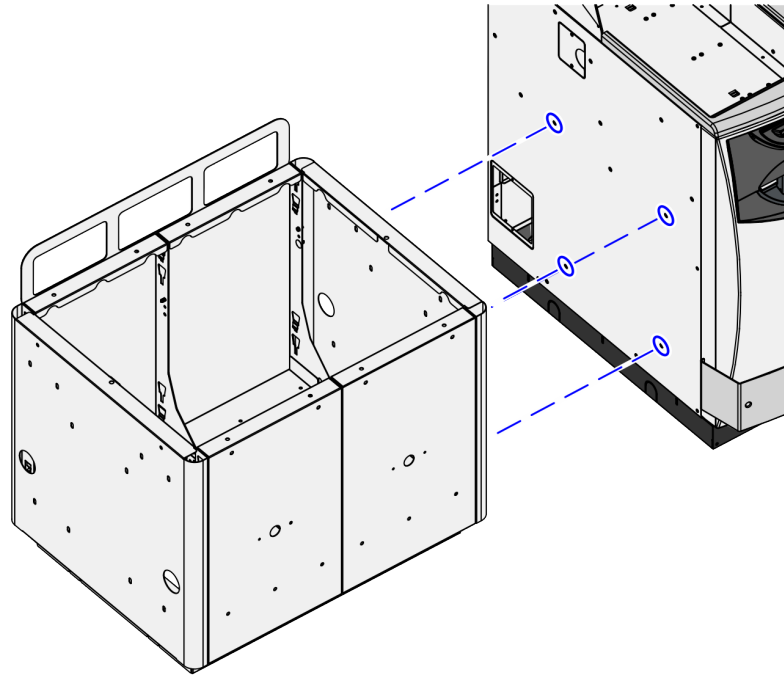
## Installing the modular 2-Bag Bagwell to a 7358 Core Cabinet

To install the modular 2-Bag Bagwell to the Core Cabinet of an NCR FastLane SelfServ™ Checkout (7358), follow these steps:



**Note:** The procedure uses the Right-hand (RH) orientation for reference.

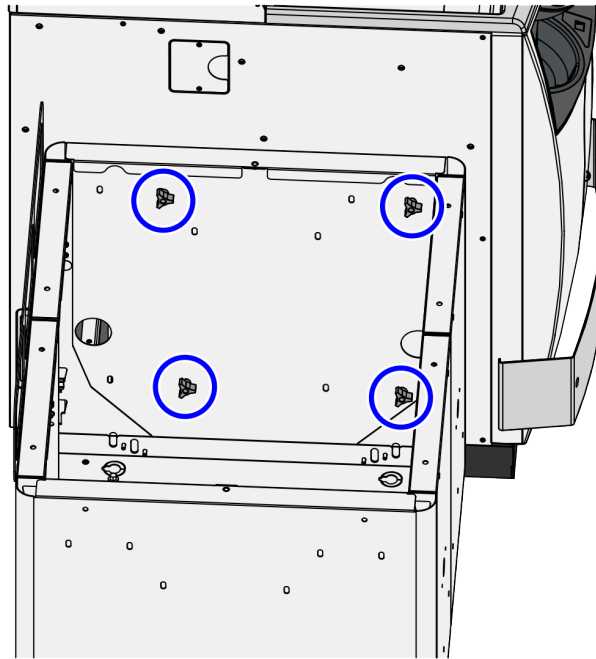
1. Align the holes on the End Panel of the Bagwell with the four (4) holes to the side of the Core Cabinet.



CCP-80465

2. Move the beside the Core Cabinet.
3. When necessary, adjust the leveling feet to prevent the Bagwell from wobbling. Ensure that it does not wobble or rock by placing hands and exerting moderate pressure on various parts of the Bagwell.

4. Secure the Bagwell using four (4) black knob screws.



CCP-80466

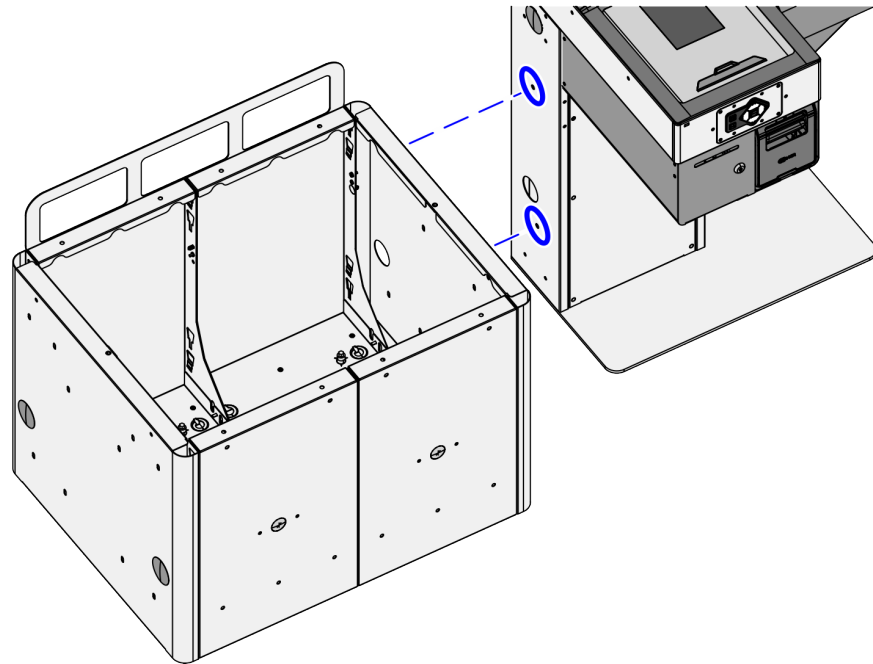
## Installing the modular 2-Bag Bagwell to a 7370 Pedestal Cabinet

To install the modular 2-Bag Bagwell to the Pedestal Cabinet of an NCR FastLane SelfServ™ Checkout (7370), follow these steps:



**Note:** The procedure uses the Right-hand (RH) orientation for reference.

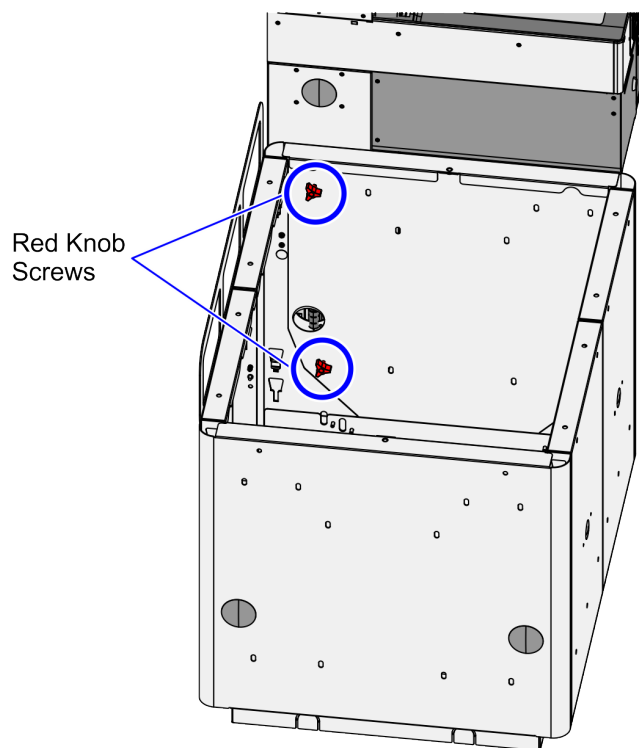
1. Assemble the modular 2-Bag Bagwell. For more information, refer to [Setting up the modular 2-Bag Bagwell](#) on page 8.
2. Align the holes on the Bagwell with the two (2) holes on the side of the Pedestal Cabinet.



CCP-80493

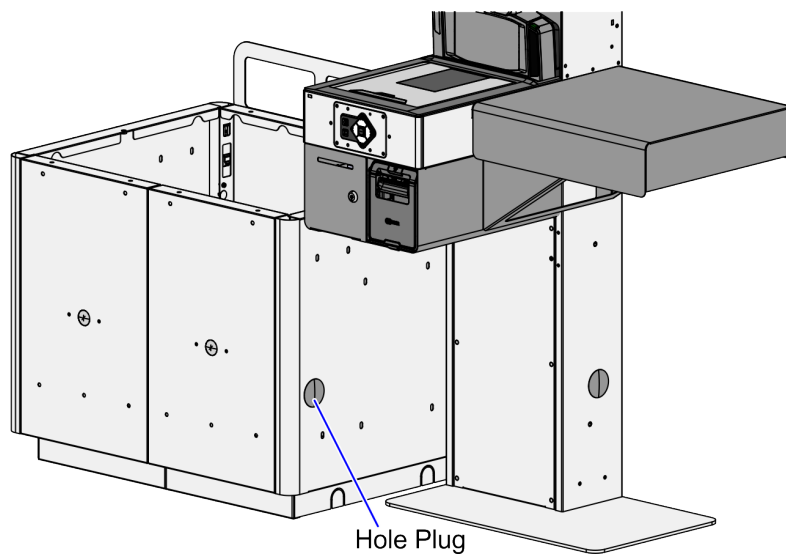
3. Move the Bagwell beside the Pedestal Cabinet.
4. When necessary, adjust the leveling feet to prevent the Bagwell from wobbling. Ensure that it does not wobble or rock by placing hands and exerting moderate pressure on various parts of the Bagwell.

5. Secure the Bagwell using two (2) red knob screws.



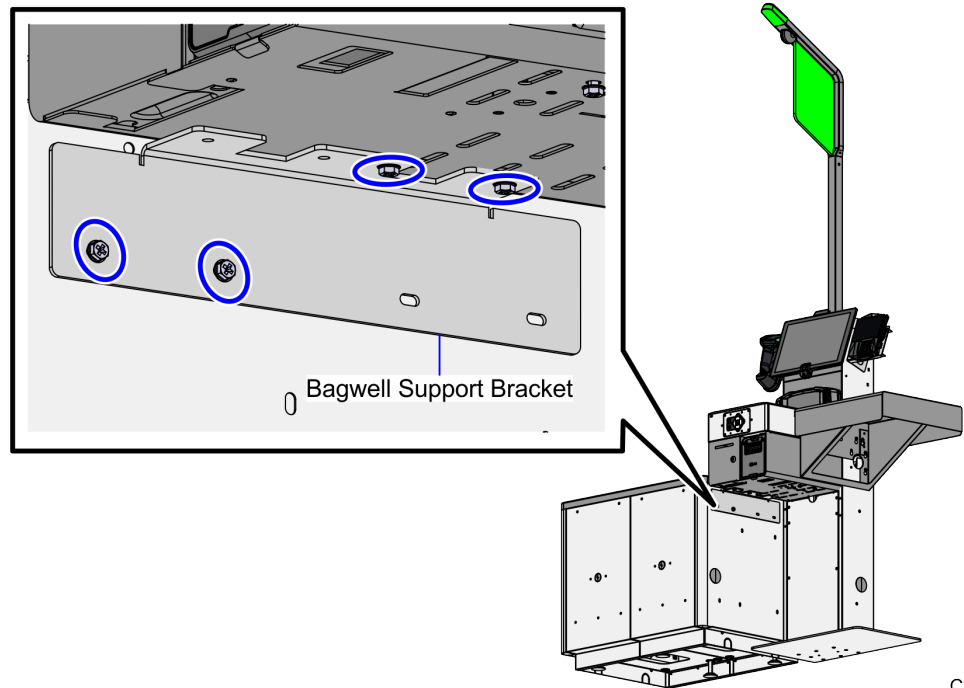
CCP-80494

6. Install a hole plug in the area not covered by the Pedestal Cabinet, as shown in the example below.



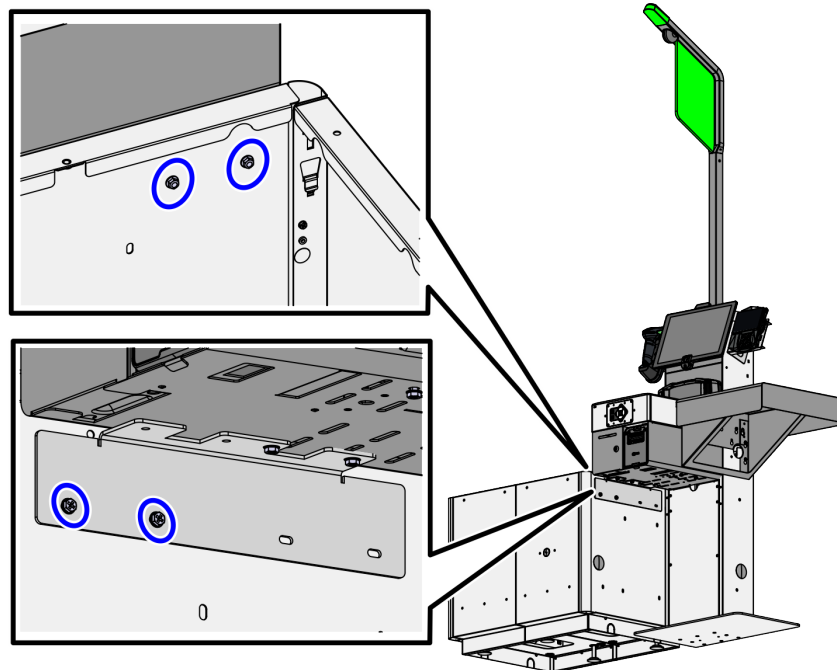
CCP-80523

7. Install the Bagwell Support Bracket by doing the the following:
  - a. Attach the Bagwell Support Bracket using two (2) bolts on the underside of the Scanner Bucket and two (2) bolts on the Bagwell.



CCP-81218

- b. Secure the two (2) bolts inside the Bagwell using two (2) nuts.



CCP-81219

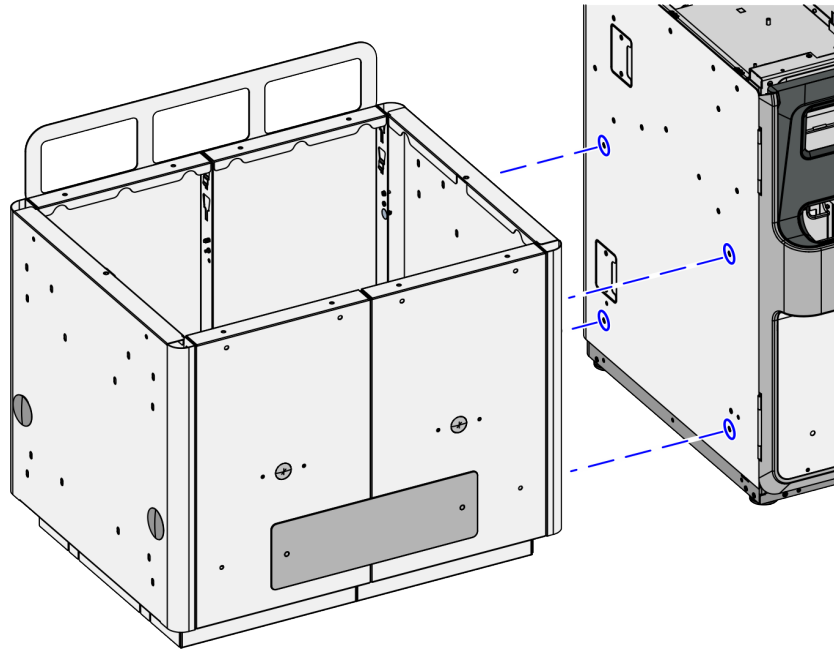
## Installing the modular 2-Bag Bagwell to a 7360 Core Cabinet

To install the modular 2-Bag Bagwell to the Core Cabinet of an NCR FastLane SelfServ™ Checkout (7360) unit, follow these steps:



**Note:** The procedure uses the Right-hand (RH) orientation for reference.

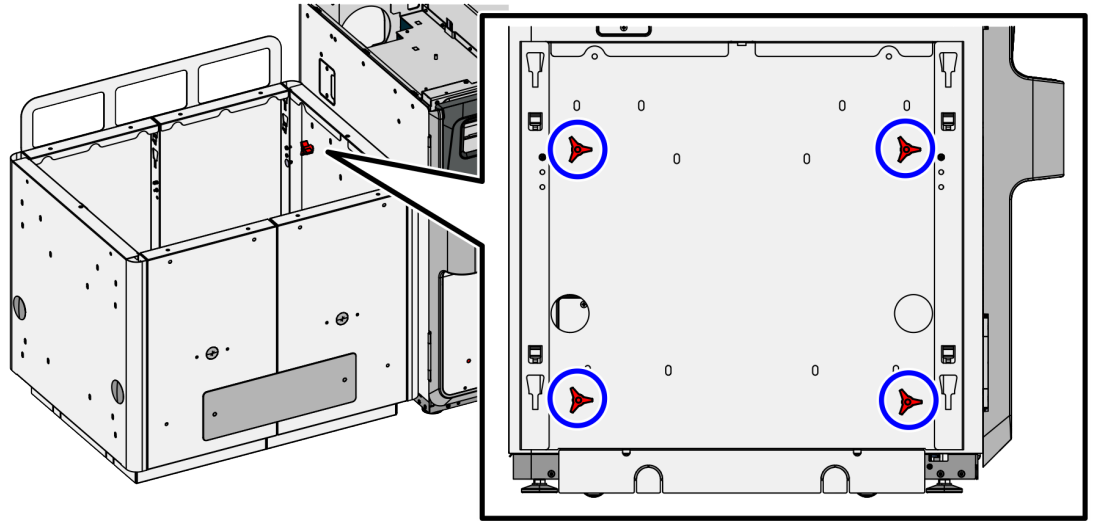
1. Align the holes on the End Panel of the Bagwell with the four (4) holes to the side of the Core Cabinet.



CCP-81214

2. Move the beside the Core Cabinet.
3. When necessary, adjust the leveling feet to prevent the Bagwell from wobbling. Ensure that it does not wobble or rock by placing hands and exerting moderate pressure on various parts of the Bagwell.

4. Secure the Bagwell using four (4) M6 red knob screws.



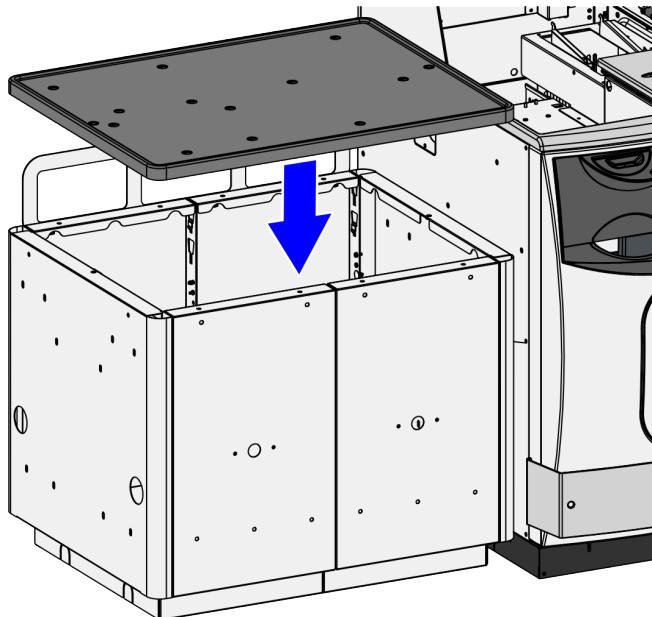
CCP-81215



## Installing Modular 2-Bag Bagwell Top Tray

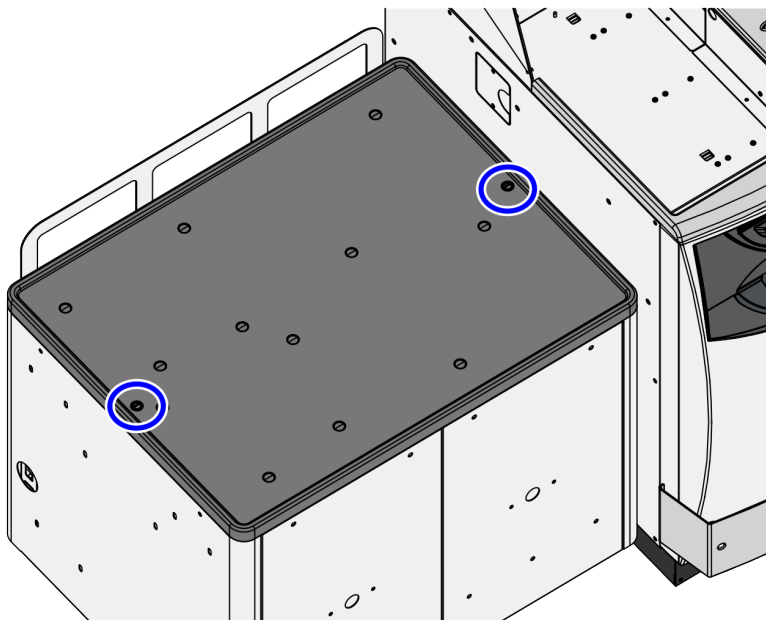
To install the Top Tray on the Bagwell, follow these steps:

1. Place the Top Tray on the Bagwell. Ensure that the captive screws on both ends of the Top Tray are aligned with the corresponding screw holes on Bagwell.



CCP-80469

2. Tighten the captive screws to secure the Top Tray on the Corner Bagwell.



CCP-80468

## Changing Modular 2-Bag Bagwell Orientation

To change the orientation of the Bagwell, follow these steps:



**Note:** For the purpose of illustration only, this procedure shows images using Right-hand (RH) orientation.

1. Remove the Top Tray from the Bagwell. For more information, refer to [Removing Modular 2-Bag Bagwell Top Tray](#) on the facing page.
2. Remove the Bagwell assembly. Depending on the unit, refer to either of the following procedures:
  - [Removing the modular 2-Bag Bagwell from a 7358 Core Cabinet](#) on page 25.
  - [Removing the modular 2-Bag Bagwell from a 7370 Pedestal Cabinet](#) on page 27.
  - [Removing the modular 2-Bag Bagwell from a 7360 Core Cabinet](#) on page 30.
3. Install the Bagwell to the other side of the SelfServ Checkout unit. Depending on the unit, refer to either of the following procedures:



**Note:** Ensure that the hole plugs are inserted at the opposite side before installing in the new orientation.

- [Installing the modular 2-Bag Bagwell to a 7358 Core Cabinet](#) on page 14.
  - [Installing the modular 2-Bag Bagwell to a 7370 Pedestal Cabinet](#) on page 16.
  - [Installing the modular 2-Bag Bagwell to a 7360 Core Cabinet](#) on page 19.
4. Install the Top Tray. For more information, refer to [Installing Modular 2-Bag Bagwell Top Tray](#) on the previous page.

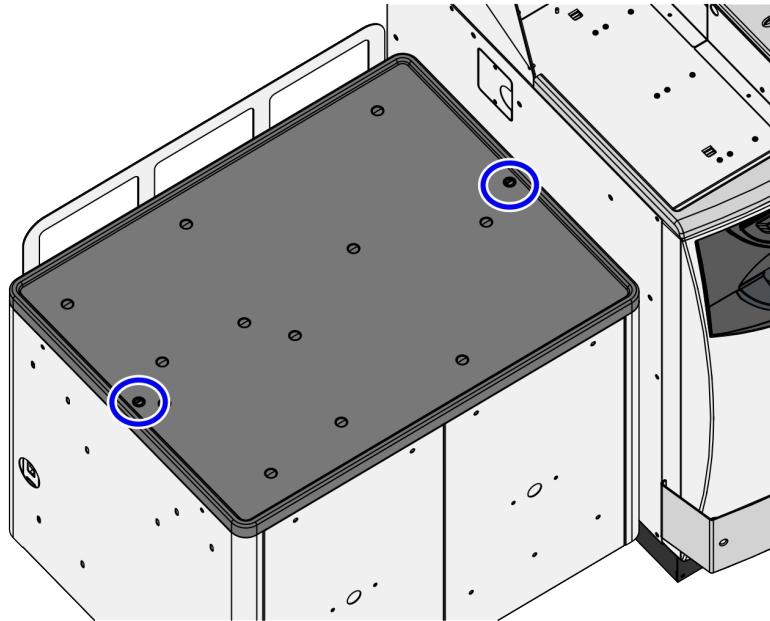
## Removing Modular 2-Bag Bagwell Top Tray

To remove the Top Tray from the Bagwell, follow these steps:



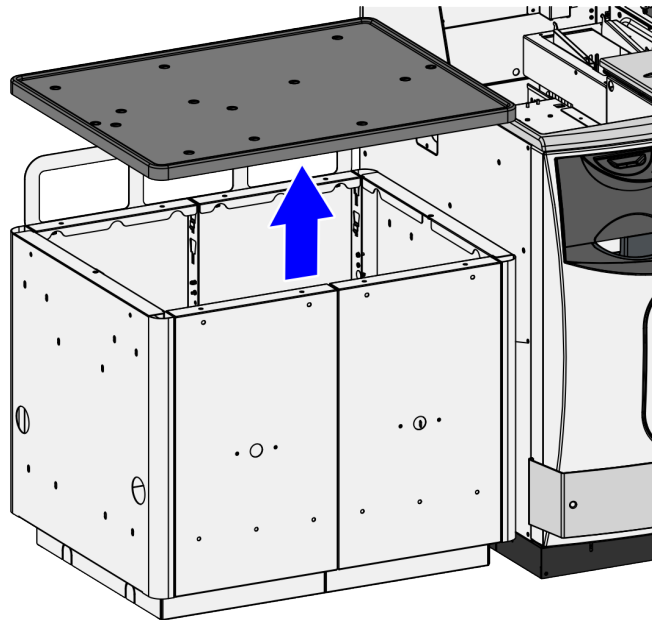
**Note:** The illustrations in this procedure shows an NCR FastLane SelfServ™ Checkout (7358) unit only as an example.

1. Loosen the captive screws at each end of the Top Tray, as shown in the image below.



CCP-80468

2. Lift the Top Tray from the Corner Bagwell.

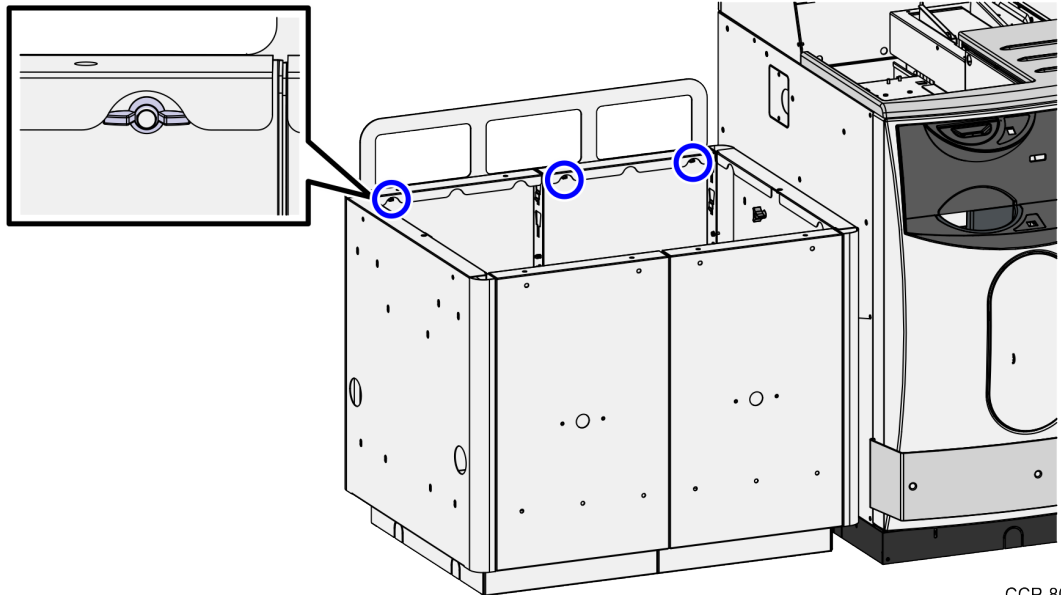


CCP-80470

## Removing Bagwell Fence

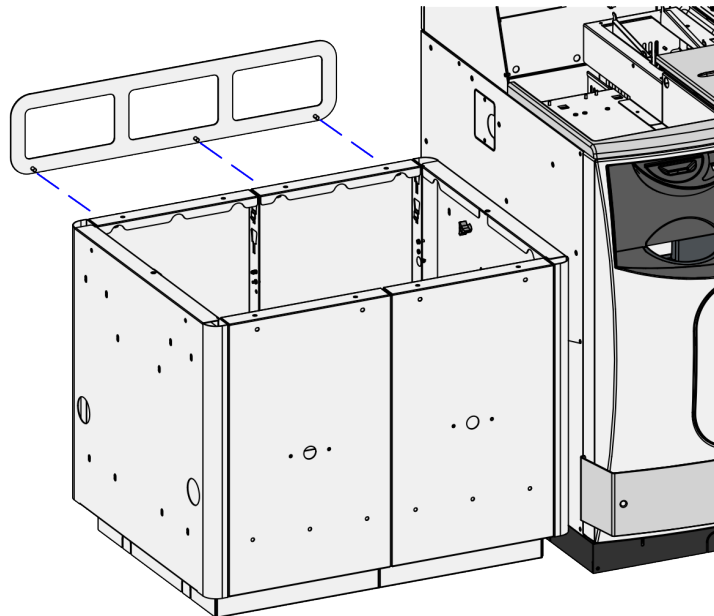
To remove the Bagwell fence, follow these steps:

1. Remove the Bagwell Top Tray. For more information, refer to [Removing Modular 2-Bag Bagwell Top Tray](#) on the previous page.
2. Remove two (2) wing nuts that are securing the Rear Fence to the Bagwell.



CCP-80464

3. Detach the Rear Fence from the Bagwell.



CCP-80463

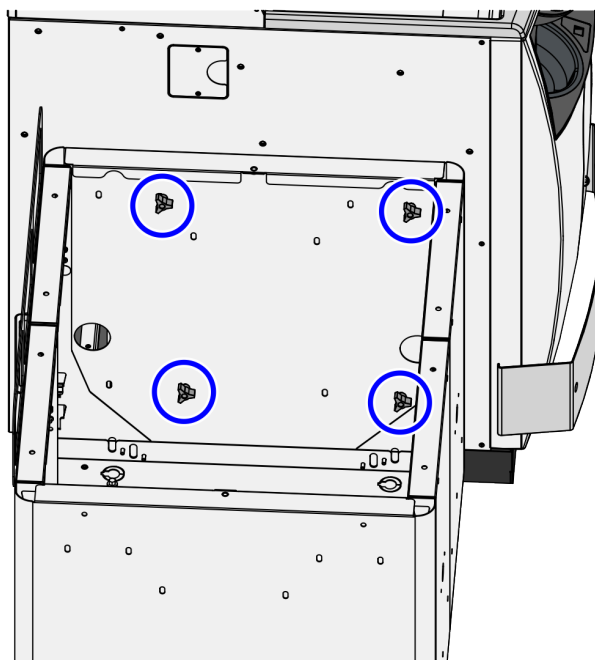
## Removing the modular 2-Bag Bagwell from a 7358 Core Cabinet

To remove the modular 2-Bag Bagwell from the Core Cabinet of an NCR FastLane SelfServ™ Checkout (7358), follow these steps:

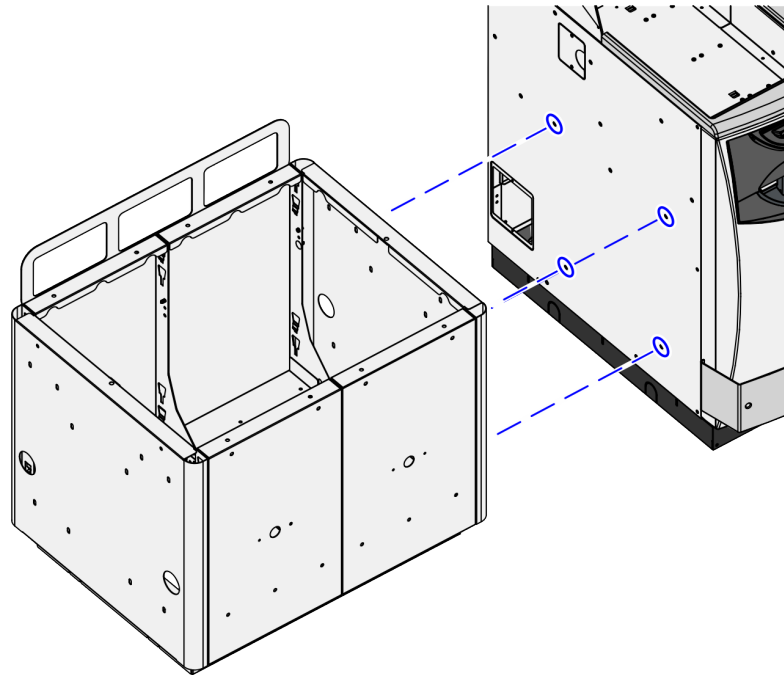


**Note:** The procedure uses the Right-hand (RH) orientation for reference.

1. Remove the Top Tray. For more information, refer to [Removing Modular 2-Bag Bagwell Top Tray](#) on page 23.
2. Remove four (4) black knob screws that are securing the Bagwell to the Core Cabinet.



3. Pull the Bagwell assembly away from the Core Cabinet, as shown in the image below.



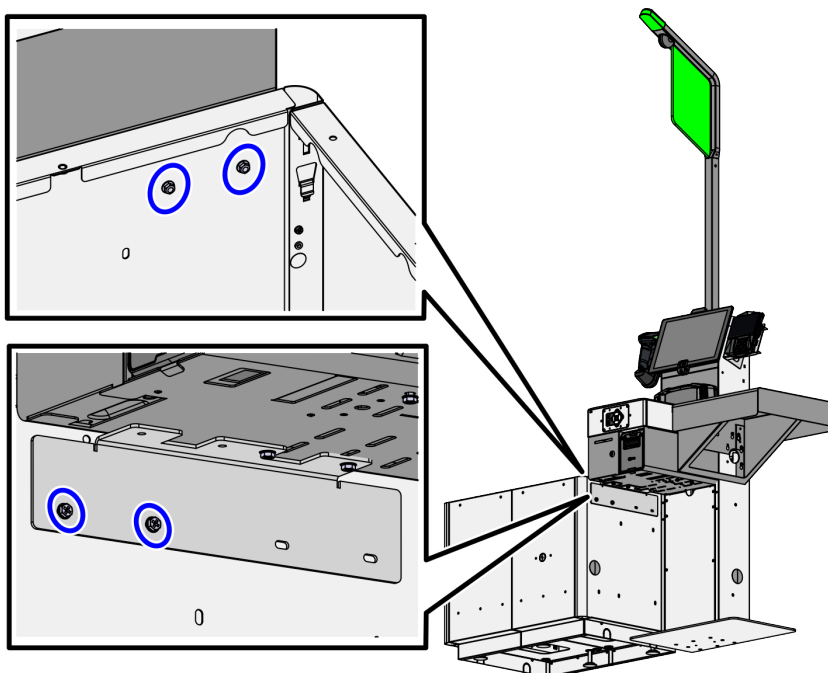
## Removing the modular 2-Bag Bagwell from a 7370 Pedestal Cabinet

To remove the modular 2-Bag Bagwell from the Pedestal Cabinet of an NCR FastLane SelfServ™ Checkout (7370), follow these steps:

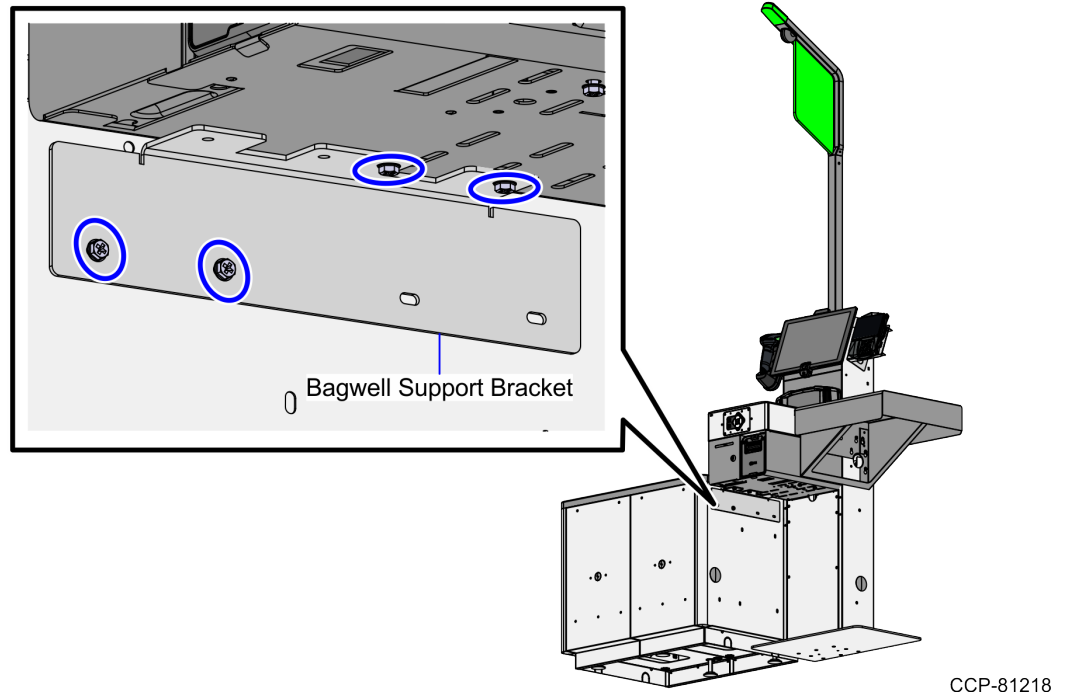


**Note:** The procedure uses the Right-hand (RH) orientation for reference.

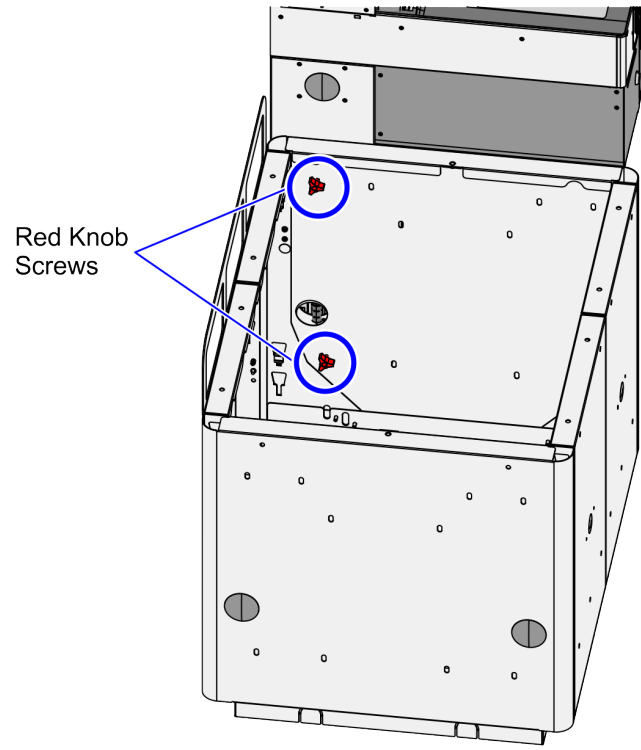
1. Remove the Top Tray. For more information, refer to [Removing Modular 2-Bag Bagwell Top Tray](#) on page 23.
2. Detach the Bagwell Support Bracket by doing the the following:
  - a. Remove two (2) nuts inside the Bagwell, as shown in the image below.



- b. Remove two (2) bolts from the underside of the Scanner Bucket and two (2) bolts from the Bagwell.

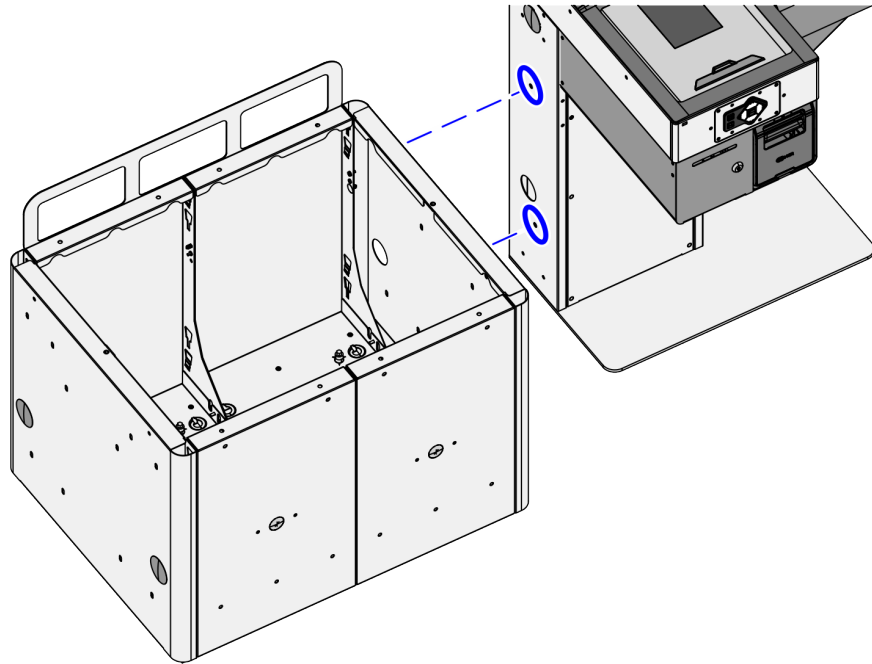


3. Remove two (2) red knob screws to detach the Bagwell from the Pedestal Cabinet.





4. Pull the Bagwell assembly away from the Pedestal Cabinet, as shown in the image below.



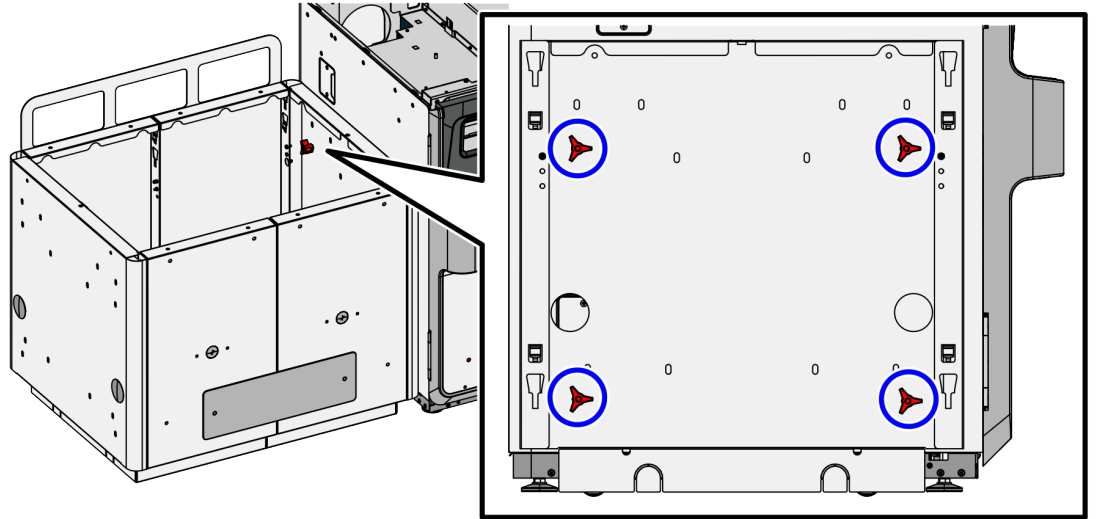
## Removing the modular 2-Bag Bagwell from a 7360 Core Cabinet

To remove the modular 2-Bag Bagwell from the Core Cabinet of an NCR FastLane SelfServ™ Checkout (7360) unit, follow these steps:



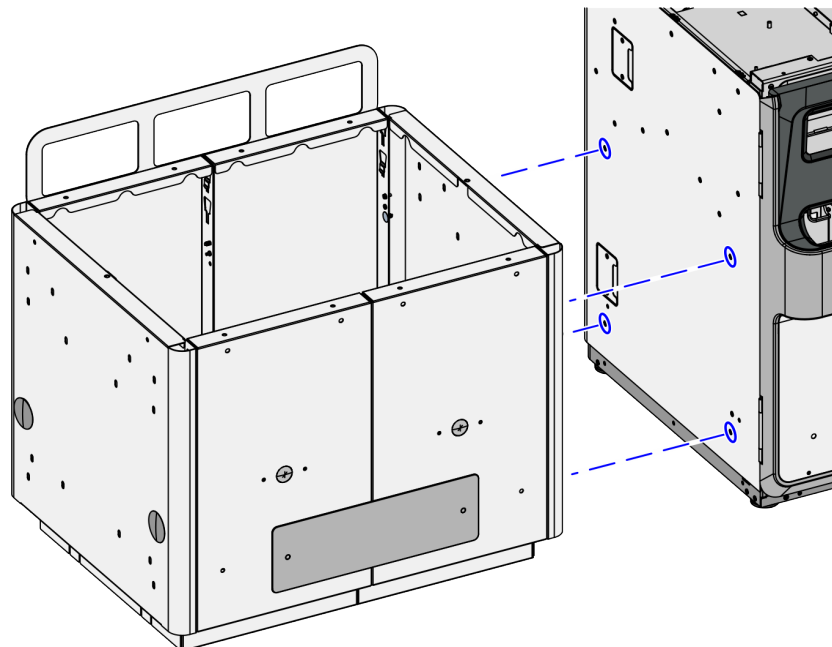
**Note:** The procedure uses the Right-hand (RH) orientation for reference.

1. Remove the Top Tray. For more information, refer to [Removing Modular 2-Bag Bagwell Top Tray](#) on page 23.
2. Remove four (4) M6 red knob screws to detach the Bagwell to the Core Cabinet.



CCP-81215

3. Pull the Bagwell assembly away from the Core Cabinet, as shown in the image below.



CCP-81214