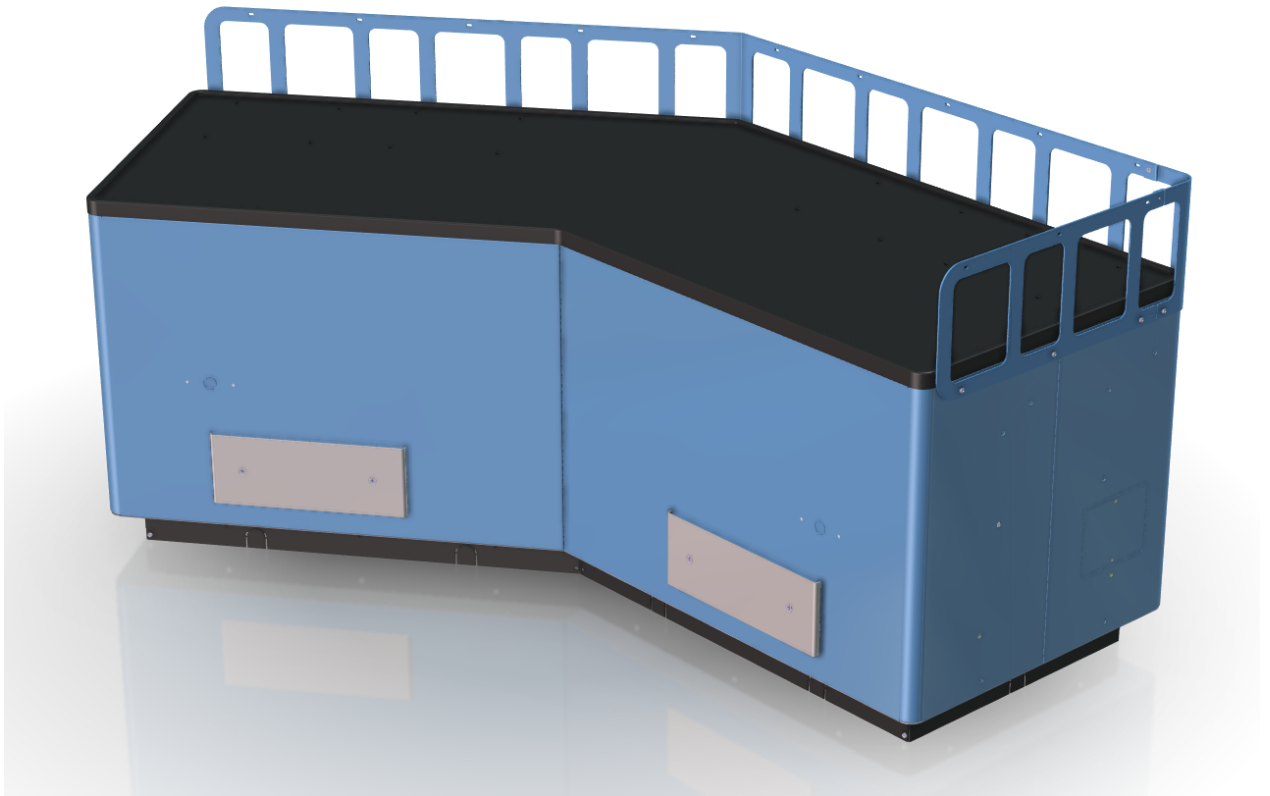


Kit Instructions

Large Basket Angled Module (V-Bagwell)



7358-K589/K590/K591
Issue B



The product described in this document is a licensed product of NCR Corporation.

NCR is a registered trademark of NCR Corporation. NCR FastLane SelfServ™ Checkout (7358) R6L Plus is a trademark of NCR Corporation in the United States and/or other countries. Other product names mentioned in this publication may be trademarks or registered trademarks of their respective companies and are hereby acknowledged.

The terms HDMI and HDMI High-Definition Multimedia Interface, and the HDMI Logo are trademarks or registered trademarks of HDMI Licensing LLC in the United States and other countries.

Where creation of derivative works, modifications or copies of this NCR copyrighted documentation is permitted under the terms and conditions of an agreement you have with NCR, NCR's copyright notice must be included.

It is the policy of NCR Corporation (NCR) to improve products as new technology, components, software, and firmware become available. NCR, therefore, reserves the right to change specifications without prior notice.

All features, functions, and operations described herein may not be marketed by NCR in all parts of the world. In some instances, photographs are of equipment prototypes. Therefore, before using this document, consult with your NCR representative or NCR office for information that is applicable and current.

To maintain the quality of our publications, we need your comments on the accuracy, clarity, organization, and value of this book. Please use the link below to send your comments.

EMail: FD230036@ncr.com

Copyright © 2019
By NCR Corporation
Global Headquarters
864 Spring St. NW
Atlanta, GA 30308
United States
All Rights Reserved

Revision Record

Issue	Date	Remarks
A	May 2019	First issue.
B	Nov 2019	Added the following sections: <ul style="list-style-type: none">• Changing V-Bagwell Orientation on page 24.• Removing Fences on page 26.• Removing V-Bagwell on page 29.

Large Basket Angled Module

The Large Basket Angled Module (V-Bagwell) is a component of the Large Basket (Basket) Module, which consists of the following kits:

- Large Basket Angled Module (V-Bagwell)—an angled bagging area that is designed to address large customer transactions.
- Large Basket Corner Module (Corner Bagwell)—a bagging area that provides customers an area where they can place their items after scanning.

The NCR FastLane SelfServ™ Checkout (7358) R6L Plus with a Bagging Area (Bagwell) Module or Large Basket (Basket) Module can be configured for either Left-hand (LH) orientation or Right-hand (RH) orientation, which refers to the direction customers scan and bag items.

- **Left-hand (LH) orientation**—Customers scan from left to right.
- **Right-hand (RH) orientation**—Customers scan from right to left.



Note: The orientation of the unit is determined by the position of the Lower Core (Cabinet) Module in relation to the Bagging Area (Bagwell) Module or Large Basket (Basket) Module.

Example: The Left-hand (LH) unit has the Cabinet positioned on the left side of the Bagwell or Basket.

Prerequisite

The following kits should be ordered together to complete the Large Basket (Basket) Module:

- 7358-K580/K583/K584 Large Basket Corner Module (Corner Bagwell)
- 7358-K589/K590/K591 Large Basket Angled Module (V-Bagwell)

Kit Contents

Depending on the color variant of the V-Bagwell, refer to the following sections for information about kit contents:

- [7358-K589 V-Bagwell Module \(NCR Dark White\)](#) on the facing page.
- [7358-K590 V-Bagwell Module \(Walmart Light Blue\)](#) on page 5.
- [7358-K591 V-Bagwell Module \(Walmart Medium Gray\)](#) on page 7.

Shipping Dimension and Weight

This section shows the approximate dimension and weight for the V-Bagwell Module.



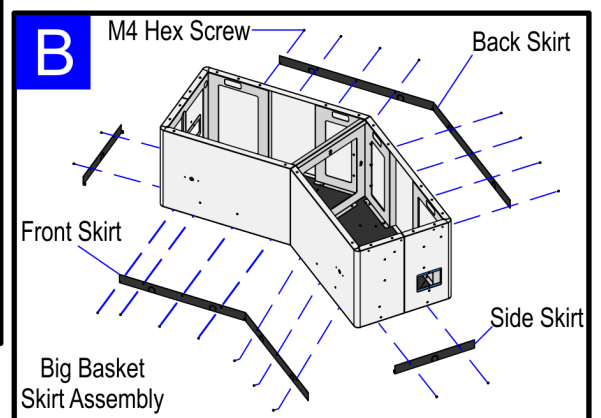
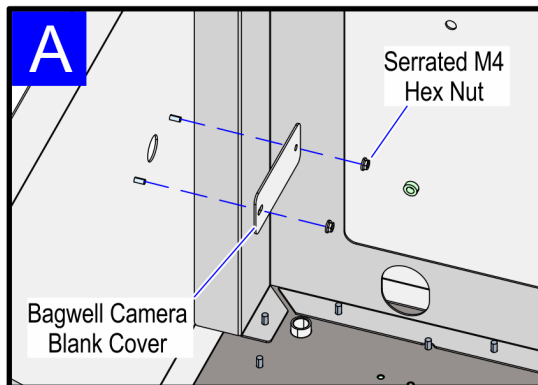
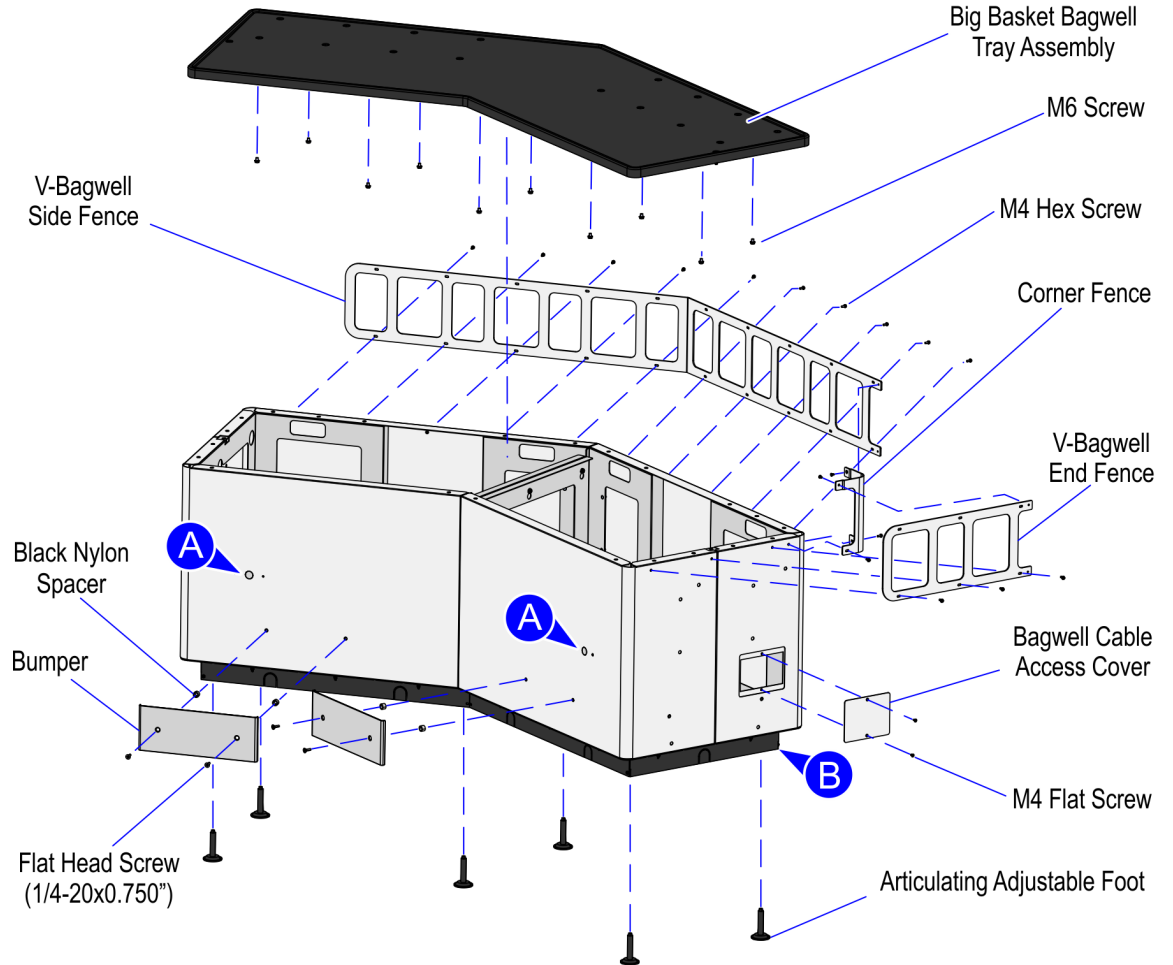
Note: These values are for reference only.

Shipping Dimension			Shipping Weight	
Height	Length	Width	Pounds (lbs)	Kilograms (kgs)
965.2 mm (38 in)	2235.2 mm (88 in)	1320.8 mm (52 in)	280 lbs	127 kgs

7358-K589 V-Bagwell Module (NCR Dark White)



Note: For the purpose of illustration only, this image shows a unit with Left-hand (LH) orientation.



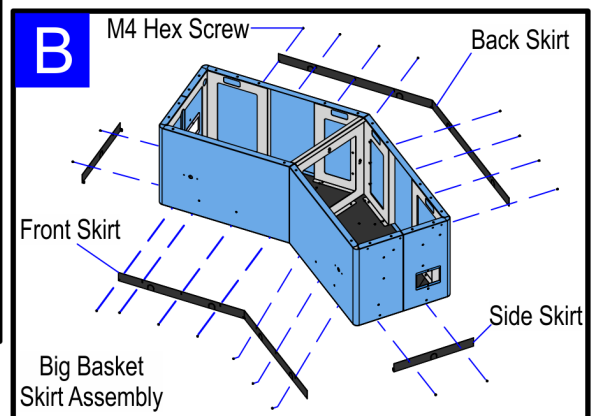
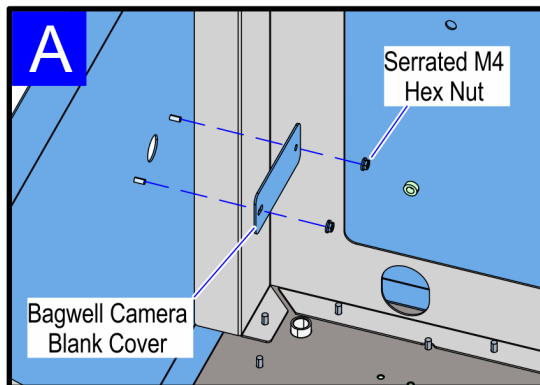
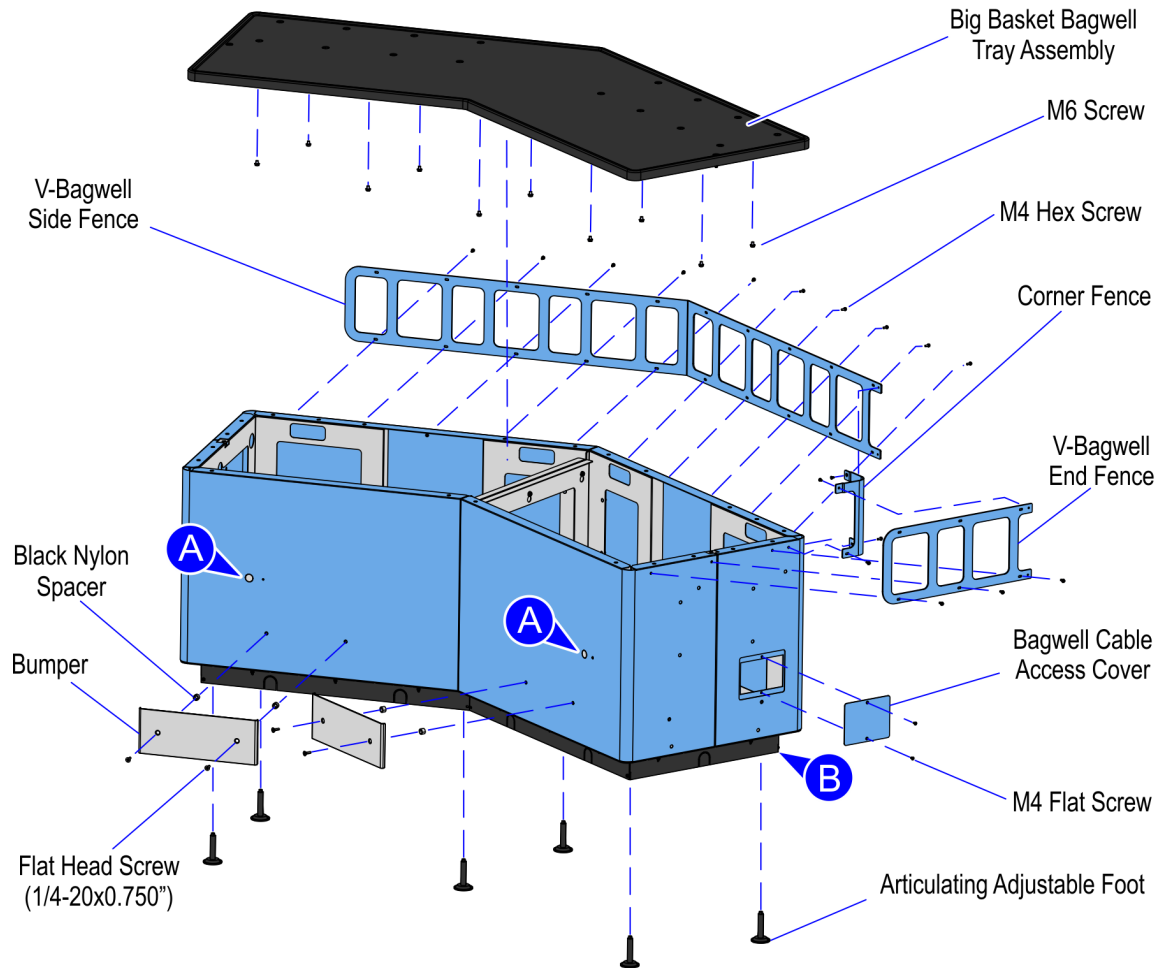
Part Number	Description
497-0525223	Kit - Large Basket Angled Module (NCR Dark White)
795-0278131	Walmart V-Bagwell Module (NCR Dark White)
006-8612443	Flexible leveling foot - 2" dia. (5/16" hex X 3.25" length) (6 pcs)
* 795-0274931	Walmart, V-Bagwell Assembly, Right (NCR Dark White)
795-0275531	V-Bagwell Side Fence (NCR Dark White)
795-0269913	Bagwell Cable Access Cover (NCR Dark White)
497-0524425	Big Basket Skirt Assembly
497-0524426	Side Skirt, (2 pcs)
497-0524427	Front Skirt (2 pcs)
497-0524428	Back Skirt, (2 pcs)
795-0275231	Corner Fence (NCR Dark White)
795-0269831	Bagwell Camera Blank Cover (NCR Dark White) (2 pcs)
009-0007087	Serrated M4 Hex Nut (4 pcs)
009-0006593	M4 Hex Screws (35 pcs)
007-7022121	M4 Flat Screw (4 pcs)
009-0006599	Screw Hex M6 x 12 MC Comb (7 pcs)
006-8612492	Screw - ¼-20 x 0.750", Phillips Flat Head, 82 Degree, Machine Thread, Zinc-Plated Steel (4 pcs)
497-0518274	Bumper - 1-Bag Rear, 2/3 Bag Door (2pcs)
* 795-0274831	Walmart, V-Bagwell Assembly, Left (NCR Dark White)
497-0524416	Big Basket Bagwell Tray Assembly
497-0457054	Black Nylon Spacer 15mm OD x 10.4mm ID x 10mm L (4 pcs)
795-0275631	V-Bagwell End Fence (NCR Dark White)
009-0006597	Screws M6 x 8 RoHS, (4 pcs)
* 497-0423108	Instructions - Kit (Reference Sheet)

* Items marked with an asterisk are not called out on the image.

7358-K590 V-Bagwell Module (Walmart Light Blue)



Note: For the purpose of illustration only, this image shows a unit with Left-hand (LH) orientation.



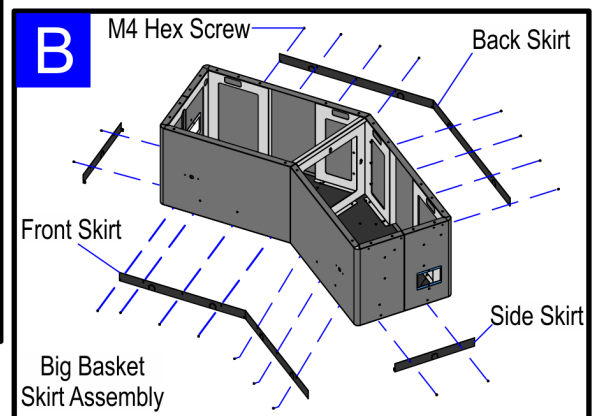
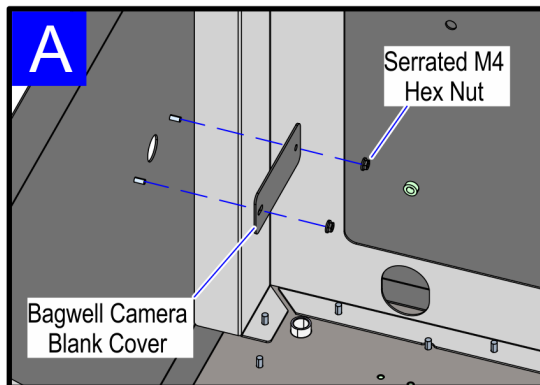
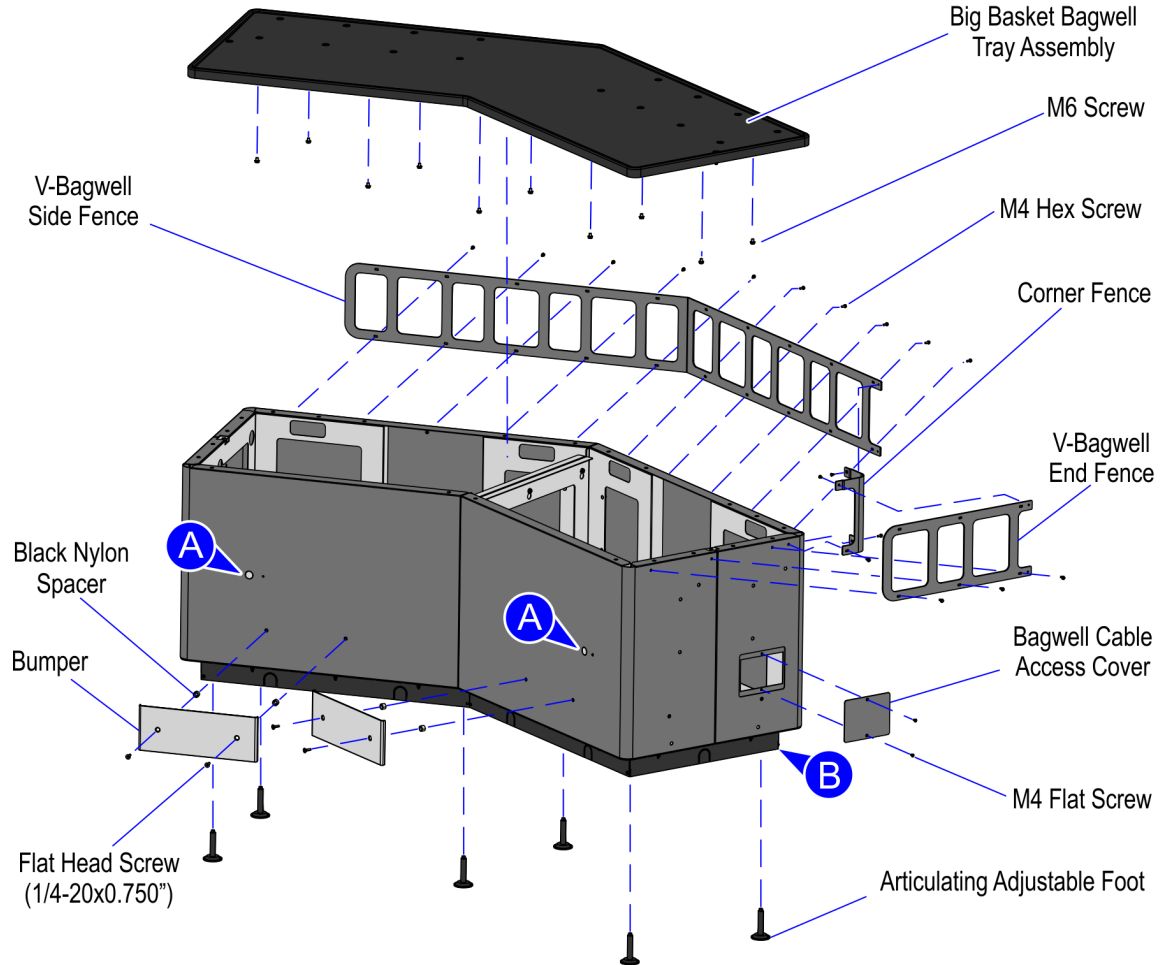
Part Number	Description
497-0525224	Kit - Large Basket Angled Module (Walmart Light Blue)
795-0278112	Walmart V-Bagwell Module (Walmart Light Blue)
006-8612443	Flexible leveling foot - 2 in dia. (5/16 in hex X 3.25 in length) (6 pcs)
795-0275212	Corner Fence (Walmart Light Blue)
795-0269812	Bagwell Camera Blank Cover (Walmart Light Blue) (2 pcs)
497-0524425	Big Basket Skirt Assembly
497-0524426	Side Skirt, (2 pcs)
497-0524427	Front Skirt (2 pcs)
497-0524428	Back Skirt, (2 pcs)
795-0275512	V-Bagwell Side Fence (Walmart Light Blue)
795-0269912	Bagwell Cable Access Cover (Walmart Light Blue)
009-0007087	Serrated M4 Hex Nut (4 pcs)
009-0006593	M4 Hex Screws (35 pcs)
007-7022121	M4 Flat Screw (4 pcs)
009-0006599	Screw Hex M6 x 12 MC Comb (7 pcs)
* 795-0274812	Walmart, V-Bagwell Assembly, Left (Walmart Light Blue)
006-8612492	Screw - ¼-20 x 0.750 in, Phillips Flat Head, 82 Degree, Machine Thread, Zinc-Plated Steel (4 pcs)
795-0275612	V-Bagwell End Fence (Walmart Light Blue)
497-0518274	Bumper - 1-Bag Rear, 2/3 Bag Door (2 pcs)
497-0524416	Big Basket Bagwell Tray Assembly
497-0457054	Black Nylon Spacer 15mm OD x 10.4mm ID x 10mm L (4 pcs)
* 795-0274912	Walmart, V-Bagwell Assembly, Right (Walmart Light Blue)
009-0006597	Screws M6 x 8 RoHS, (4 pcs)
* 497-0423108	Instructions - Kit (Reference Sheet)

* Items marked with an asterisk are not called out on the image.

7358-K591 V-Bagwell Module (Walmart Medium Gray)



Note: For the purpose of illustration only, this image shows a unit with Left-hand (LH) orientation.




Part Number	Description
497-0525225	Kit - Large Basket Angled Module (Walmart Medium Gray)
795-0278128	Walmart V-Bagwell Module (Walmart Medium Gray)
006-8612443	Flexible leveling foot - 2 in dia. (5/16 in hex X 3.25 in length) (6 pcs)
795-0275628	V-Bagwell End Fence (Walmart Medium Gray)
497-0524425	Big Basket Skirt Assembly
497-0524426	Side Skirt, (2pcs)
497-0524427	Front Skirt (2pcs)
497-0524428	Back Skirt, (2pcs)
795-0275228	Corner Fence (Walmart Medium Gray)
795-0275528	V-Bagwell Side Fence (Walmart Medium Gray)
* 795-0274828	Walmart, V-Bagwell Assembly, Left (Walmart Medium Gray)
* 795-0274928	Walmart, V-Bagwell Assembly, Right (Walmart Medium Gray)
009-0007087	Serrated M4 Hex Nut (4 pcs)
009-0006593	M4 Hex Screws (35 pcs)
007-7022121	M4 Flat Screw (4 pcs)
009-0006599	Screw Hex M6 x 12 MC Comb (7 pcs)
006-8612492	Screw - ¼-20 x 0.750 in, Phillips Flat Head, 82 Degree, Machine Thread, Zinc-Plated Steel (4 pcs)
795-0269928	Bagwell Cable Access Cover (Walmart Medium Gray)
497-0518274	Bumper - 1-Bag Rear, 2/3 Bag Door (2 pcs)
497-0524416	Big Basket Bagwell Tray Assembly
497-0457054	Black Nylon Spacer 15mm OD x 10.4mm ID x 10mm L (4 pcs)
795-0269828	Bagwell Camera Blank Cover (Walmart Medium Gray), (2 pcs)
009-0006597	Screws M6 x 8 RoHS, (4 pcs)
497-0423108	Instructions - Kit (Reference Sheet)

* Items marked with an asterisk are not called out on the image.

Installation Procedures

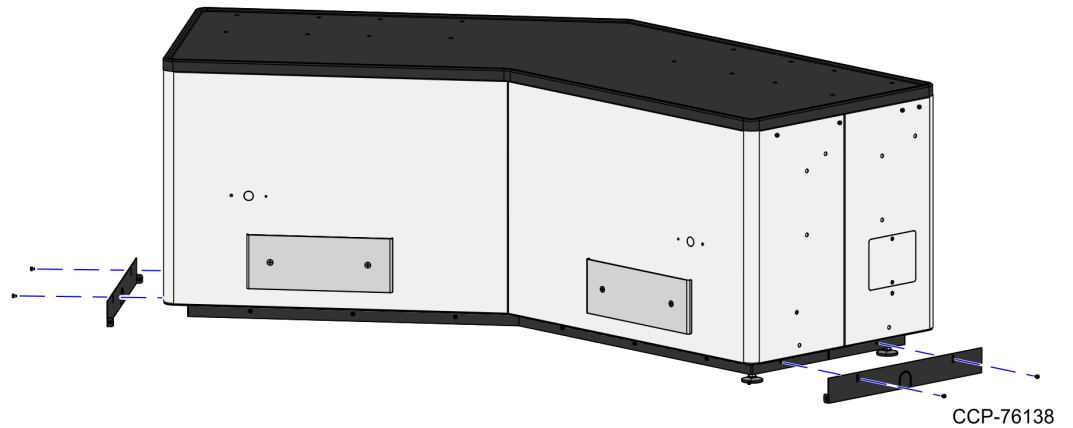
Installing the V-Bagwell involves the following procedures:

1. Install the Corner Bagwell to the SelfServ Checkout. For more information, refer to .
 2. Install the Skirt Panels. For more information, refer to [Installing Skirt Panels](#) on the next page.
 3. Do the following:
 - a. Change the orientation of the V-Bagwell, if necessary. For more information, refer to [Changing V-Bagwell Orientation](#) on page 24.
 - b. Install the V-Bagwell to the Corner Bagwell. For more information, refer to [Installing V-Bagwell](#) on page 12.
 4. Install the Bumpers. For more information, refer to [Installing Bumpers](#) on page 14.
 5. Do all of the following in any order:
 - Install the Fences. For more information, refer to [Installing Fences](#) on page 17.
 - Install the Hole Label Covers on the Bagwells. For more information, refer to [Installing Hole Label Covers](#) on page 21.
 - Install the Bag Racks. For more information, refer to [Installing Bag Racks](#) on page 22.
-  **Note:** The Large Basket Angled Module can hold up to two (2) bag racks (497-0509740) that are ordered separately. To order bag racks, contact an NCR Customer Service Representative.
6. Level the SelfServ Checkout and Large Basket (Basket) Module assembly. For more information, refer to .

Installing Skirt Panels

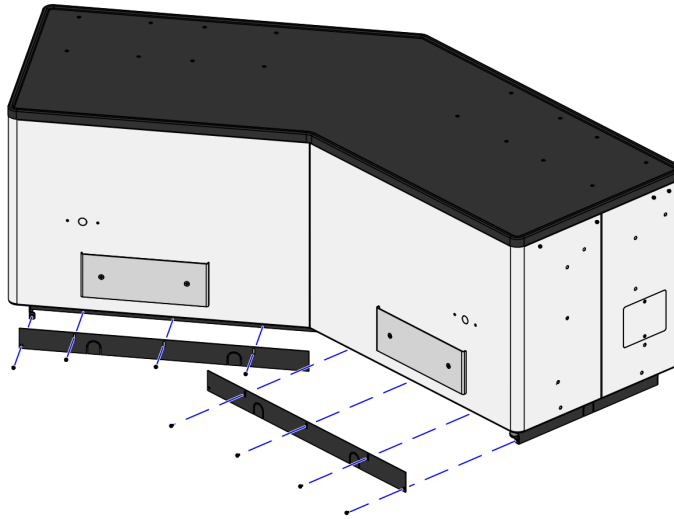
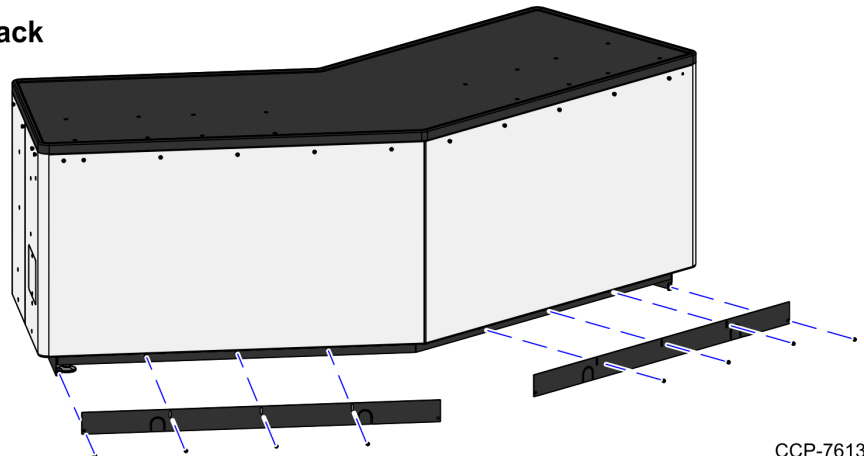
To install the Bagwell Skirts, follow these steps:

1. Install the side skirt panels by doing the following:
 - a. Attach each skirt panel to the corresponding skirt brackets by aligning the open slots in the skirt panel with the screw holes in the skirt bracket.



- b. Secure each skirt panel to the bracket using two (2) screws.
 - c. Adjust the skirt panel so that it is flush with the floor.
 - d. Tighten the screws to secure the Skirt Panel in place.

2. Install the front and back skirt panels by doing the following:
 - a. Attach the skirt panel to the skirt brackets by aligning the open slots in the skirt panel with the screw holes in the bracket.

Front**Back**

CCP-76139

- b. Secure each skirt panel to the bracket using eight (8) screws.
- c. Adjust the skirt panel so that it is flush with the floor.
- d. Tighten the screws to secure the skirt in place.

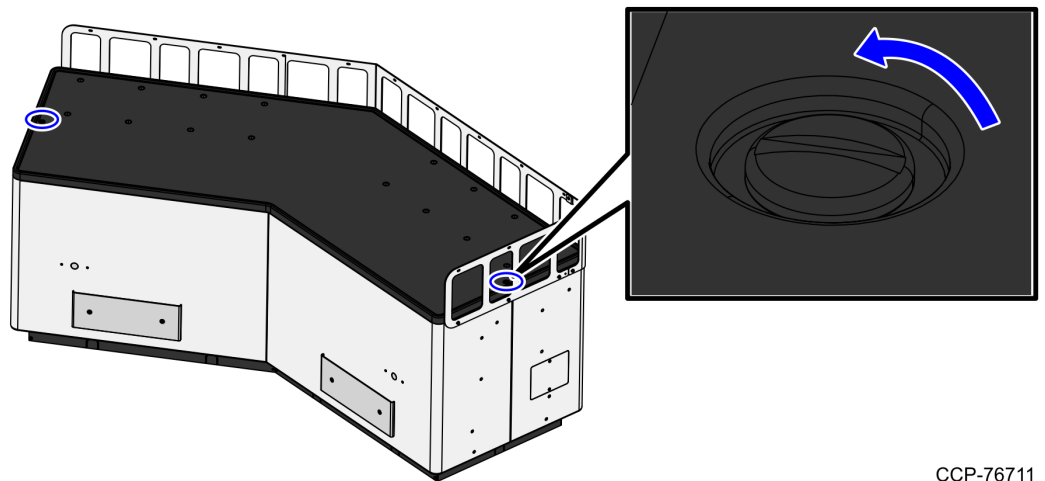
Installing V-Bagwell

To install the V-Bagwell, follow these steps:



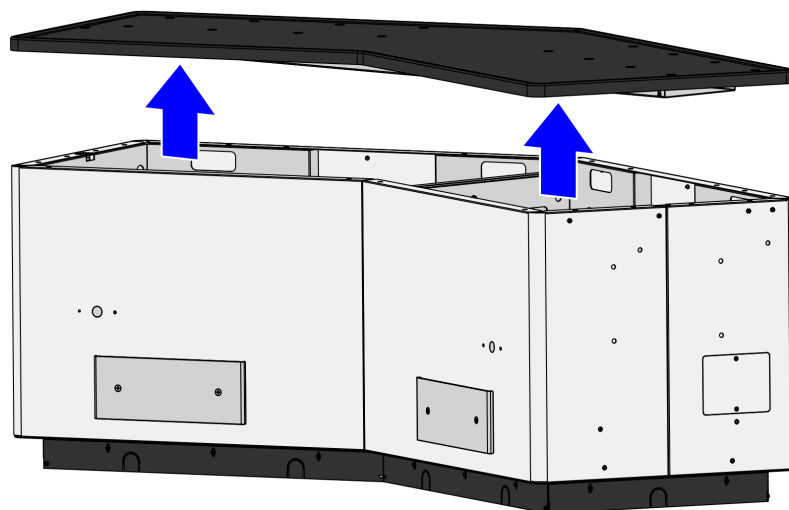
Note: For the purpose of illustration only, this procedure shows images using Left-hand (LH) orientation.

1. Install the Corner Bagwell. For more information, refer to *7358-K580/K583/K584: Large Basket Corner Module Kit Instructions*.
2. Do the following:
 - a. On both sides of the top cover tray, turn the Service screw counterclockwise to unlock the tray from the Corner Bagwell.



CCP-76711

- b. Remove the top cover of the Corner Bagwell to access the mounting holes, as shown in the image below.

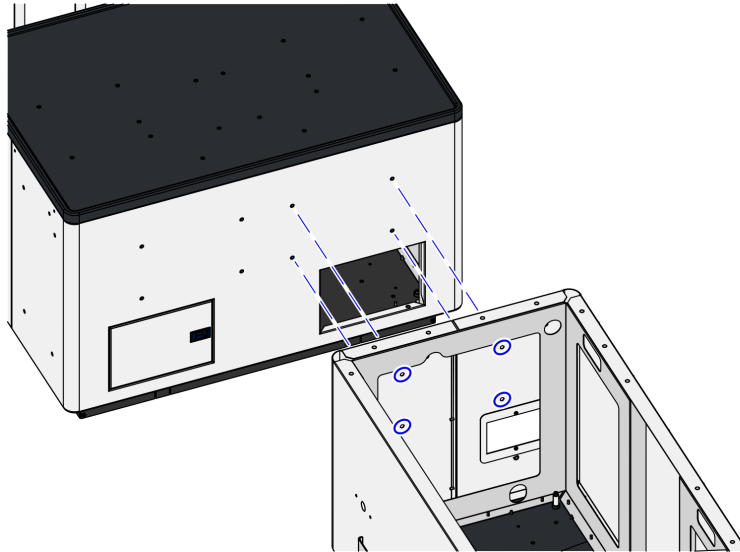


CCP-76128

3. Align the screw slots of the V-Bagwell to the corresponding holes on the Corner Bagwell.



Note: Depending on the orientation of the SelfServ Checkout, one of the cable access holes is opened by default.



CCP-76129

4. Using four (4) Phillips pan head screws, secure the V-Bagwell to the Corner Bagwell, as shown in the image below.

To install the V-Bagwell bumpers, refer to [Installing Bumpers](#) on the next page.

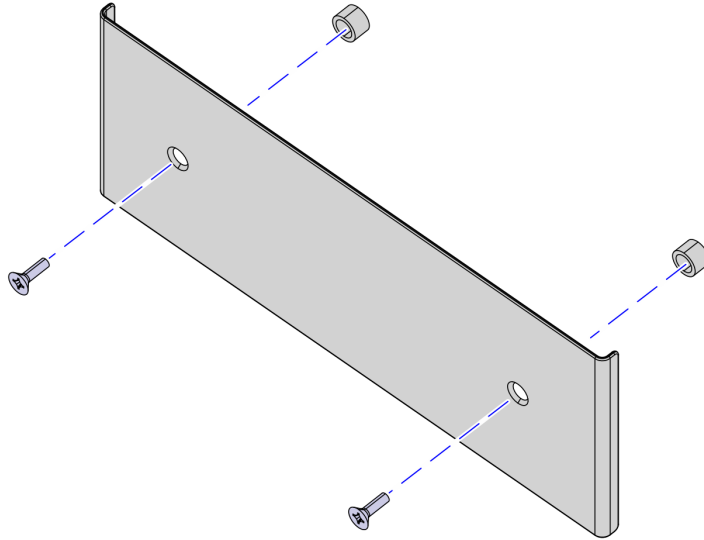
Installing Bumpers

There are two bumpers to be installed on the V-Bagwell. To install the bumpers, follow these steps:



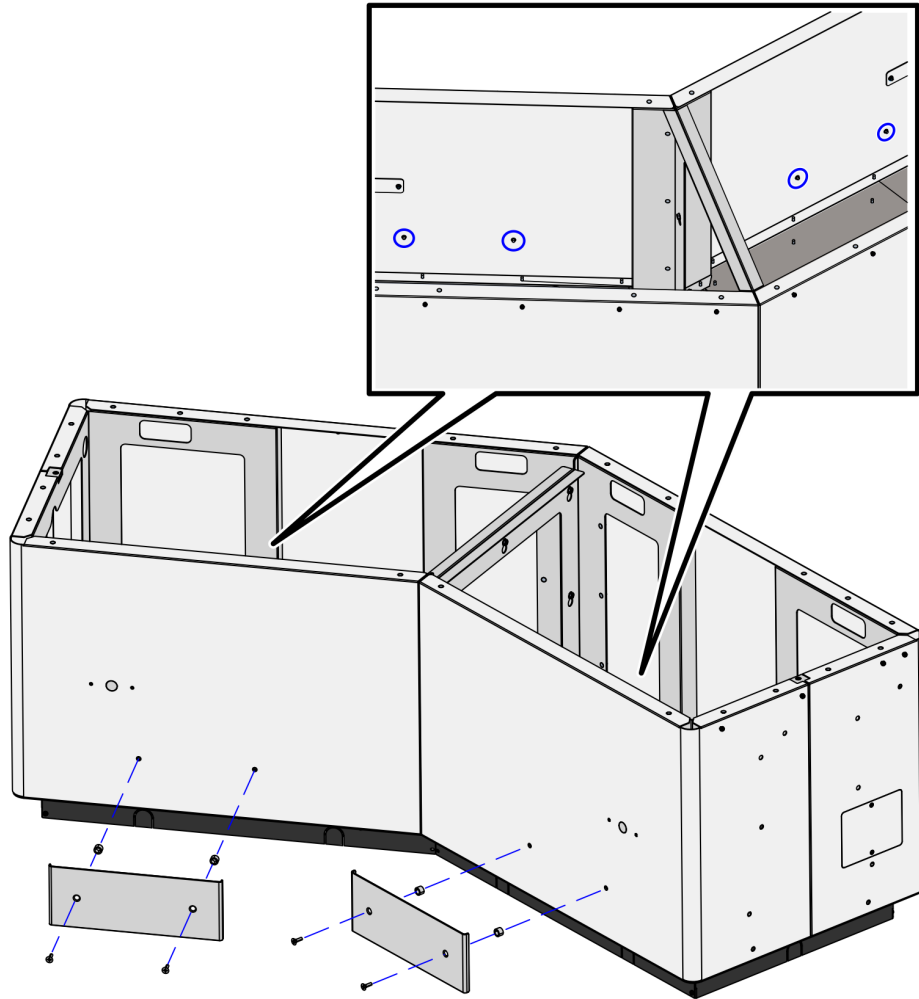
Note: For the purpose of illustration only, this procedure shows images using Left-hand (LH) orientation.

1. Remove the top cover tray to access the mounting holes, if necessary.
2. Fasten two (2) spacers on the Bumper using two (2) screws.



CCP-76144

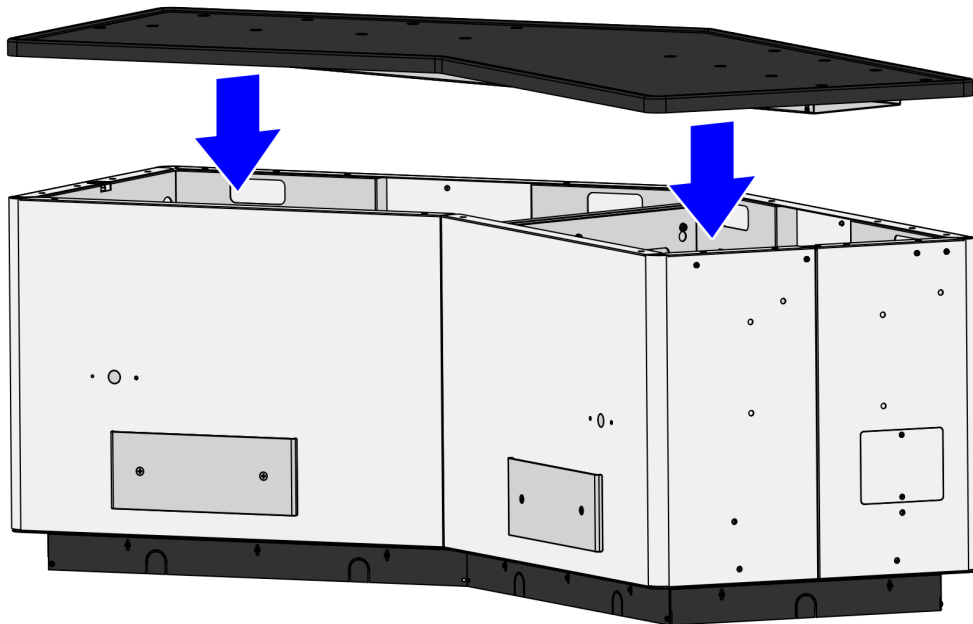
3. Do the following:
 - a. Position the assembly so that the screws are aligned with the holes on the V-Bagwell.



CCP-76141

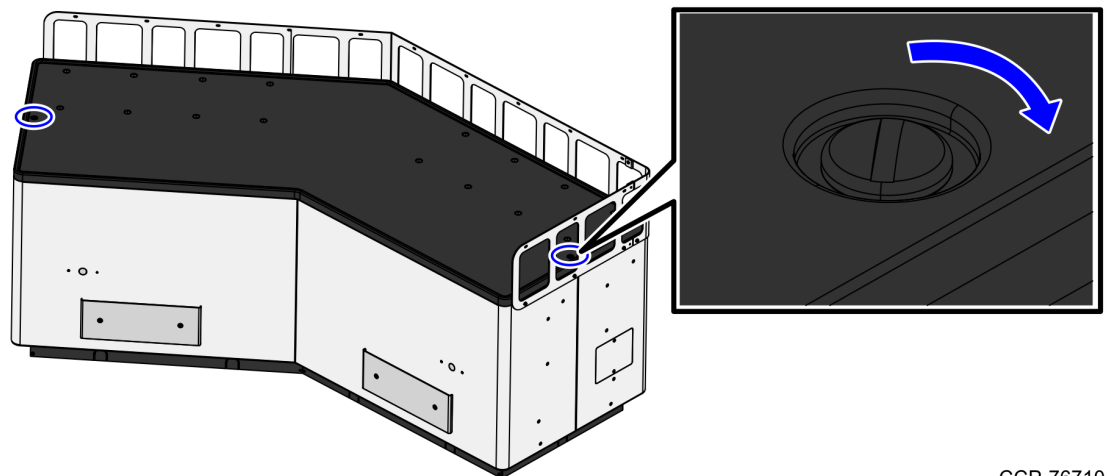
- b. Secure each Bumper on the Bagwell using two (2) nuts.

4. Install the top cover tray to close the V-Bagwell.



CCP-76130

5. Push and turn the Service screws clockwise to lock the top cover trays in place, as shown in the image below.

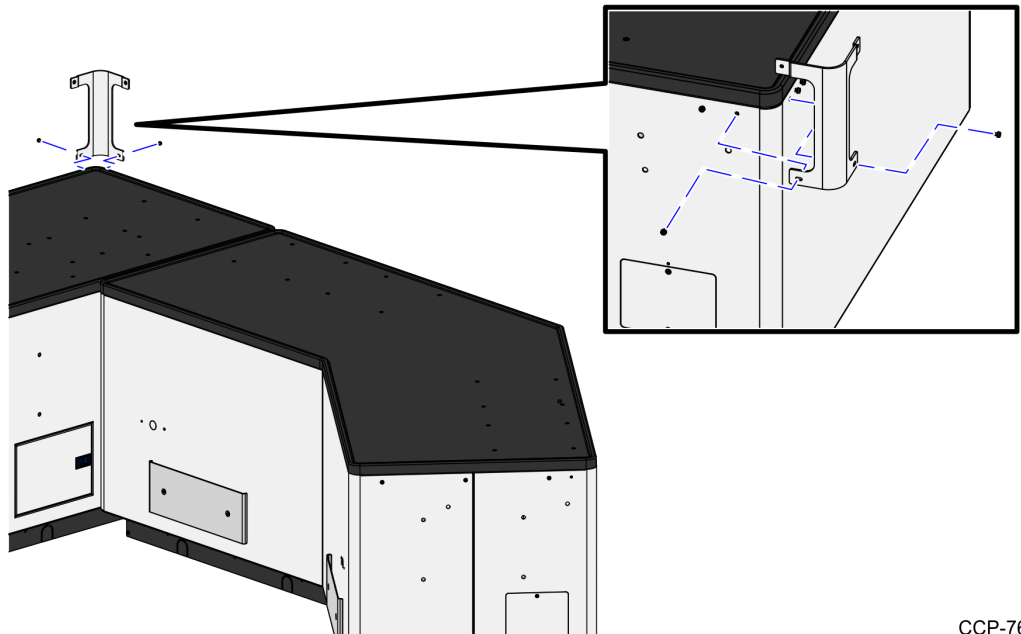


CCP-76710

Installing Fences

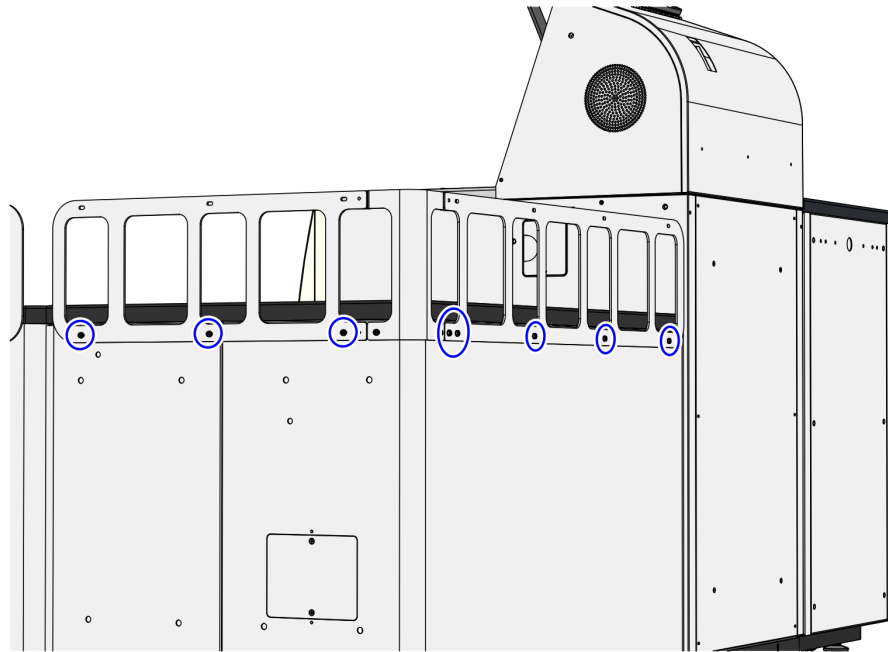
To install the fences, follow these steps:

1. Ensure that the Corner Bagwell and V-Bagwell are installed. For more information, refer to the following kit instructions:
2. Install the fences on the Corner Bagwell by doing the following:
 - a. Secure the corner fence on the Bagwell using two (2) screws, as shown in the image below.



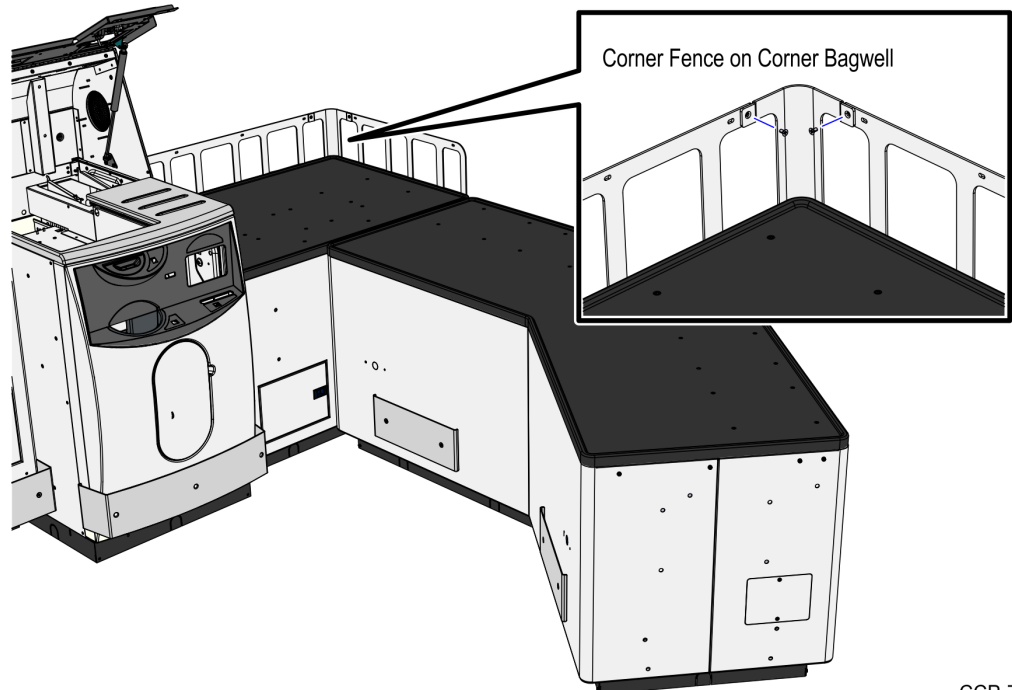
CCP-76132

- b. Secure the side fences on the Corner Bagwell using seven (7) screws, as shown in the image below.



CCP-76133

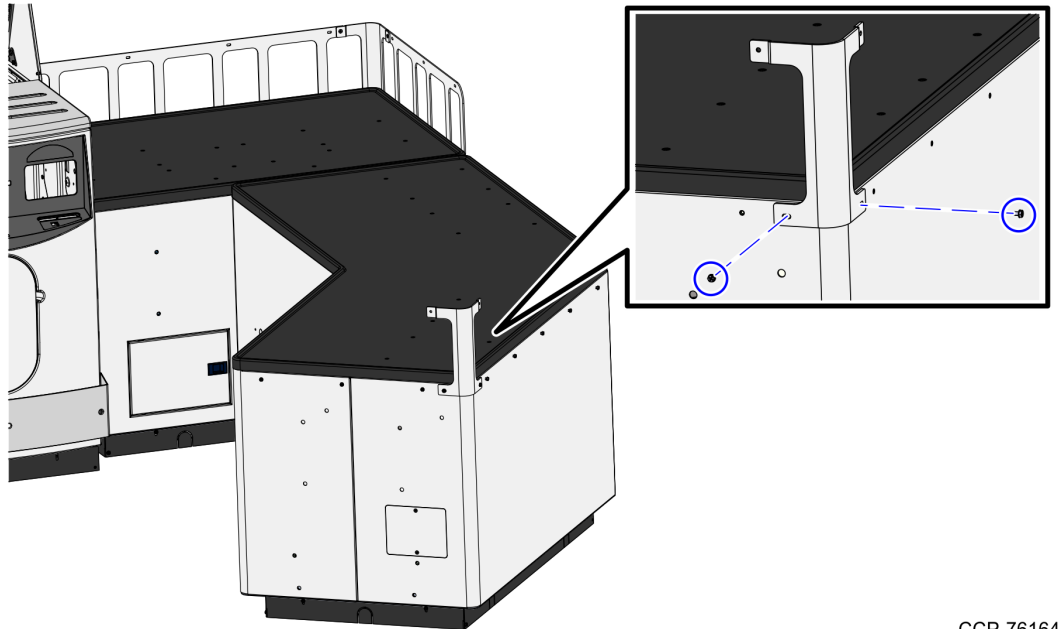
- c. Secure each side fence to the corner fence, as shown in the image below.



CCP-76135

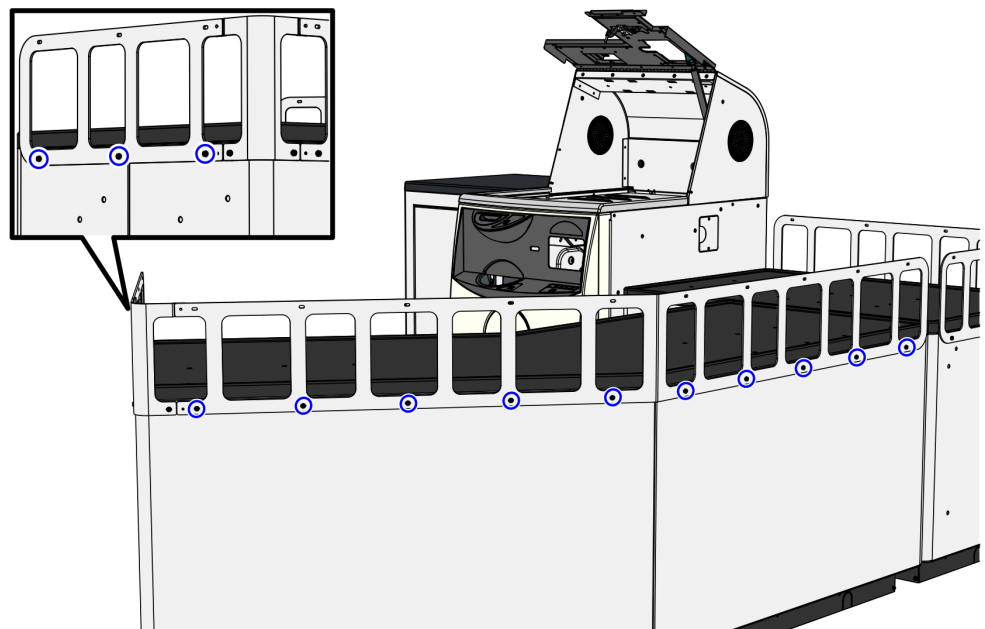
3. Install the fences on the V-Bagwell by doing the following:

a. Secure the corner fence using two (2) screws, as shown in the image below.



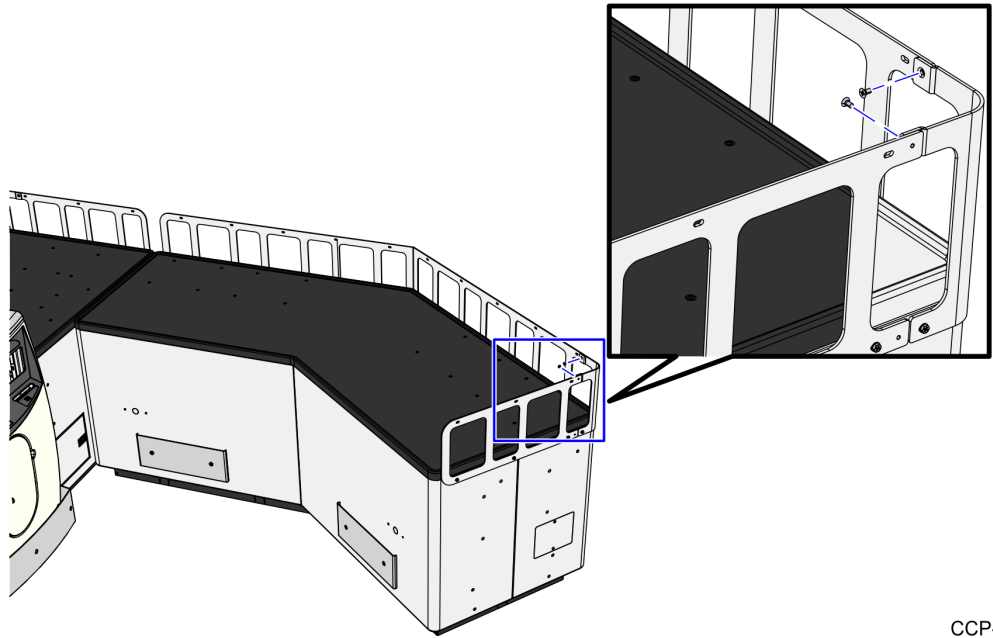
CCP-76164

b. Secure the side fences on the V-Bagwell using screws, as shown in the image below.



CCP-76134

- c. Secure each side fence to the corner fence, as shown in the image below.



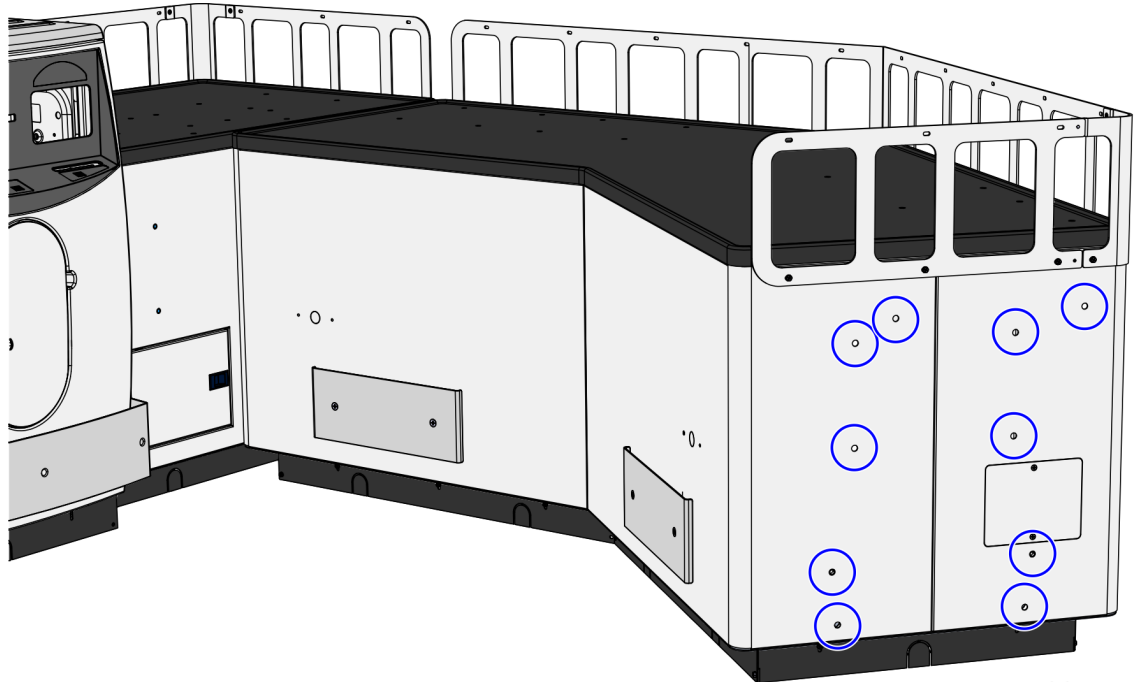
CCP-76165

Installing Hole Label Covers

Attach the hole label covers on the areas shown in the image below.



Note: For the purpose of illustration only, the image below shows a unit with Left-hand (LH) orientation.



CCP-76166

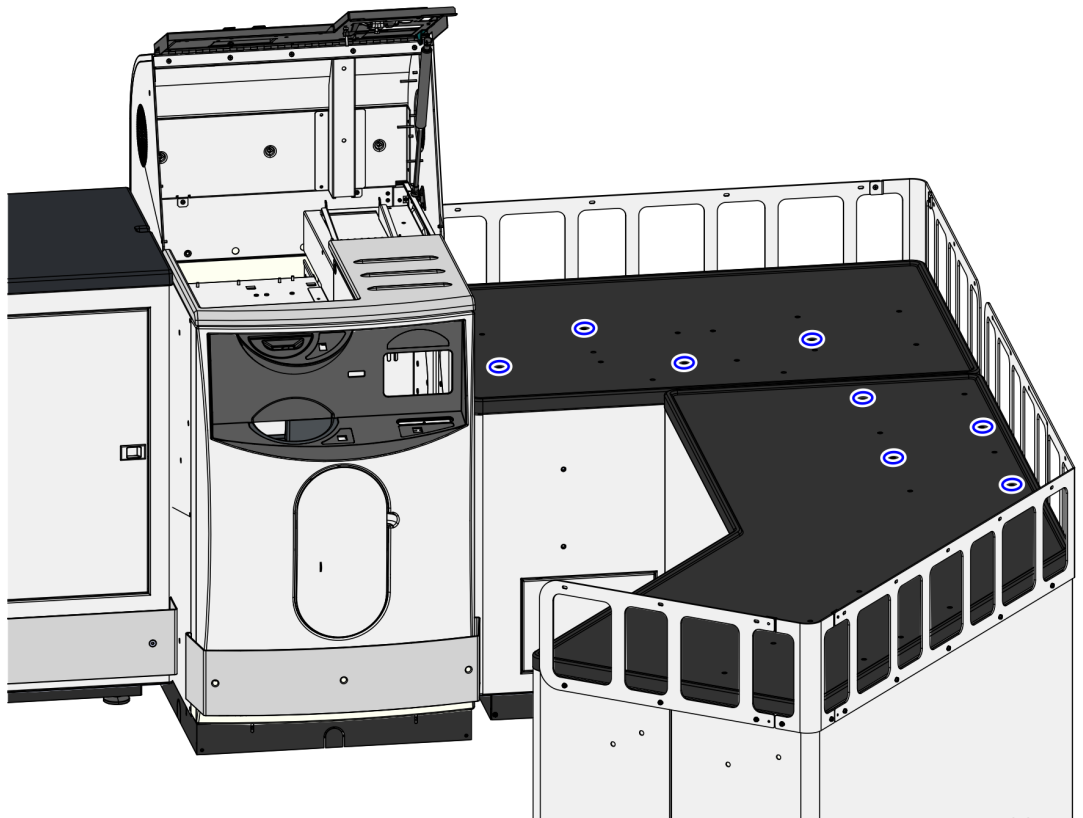
Installing Bag Racks

To install the bag racks on the Bagwells, follow these steps:



Note: The Large Basket (Basket) Module can hold up to four (4) bag racks (497-0509740) that are ordered separately. To order bag racks, contact an NCR Customer Service Representative.

1. Ensure that the Corner Bagwell and V-Bagwell are installed. For more information, refer to the following:
2. Clean the top cover tray with alcohol or non-residue cleaner to remove any dust or dirt and then identify the specific location where to mount the bag racks.
3. Remove the tapping inserts from the top cover tray.

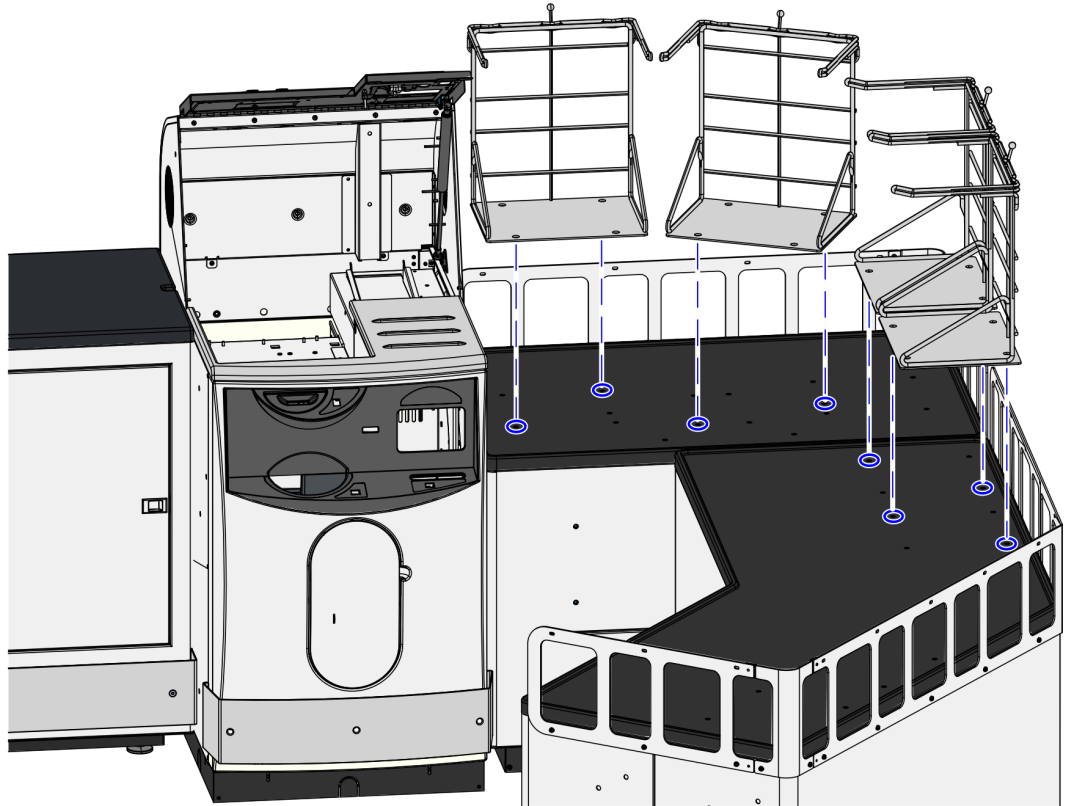


CCP-76161

4. Secure each bag rack to the top cover tray using two (2) screws, as shown in the image below.



Note: Attach the screws on opposite corners.



CCP-76131

Changing V-Bagwell Orientation

This procedure should be done before installing the Large Basket Angled Module (V-Bagwell) to the Corner Bagwell. To change the orientation of the V-Bagwell, follow these steps:



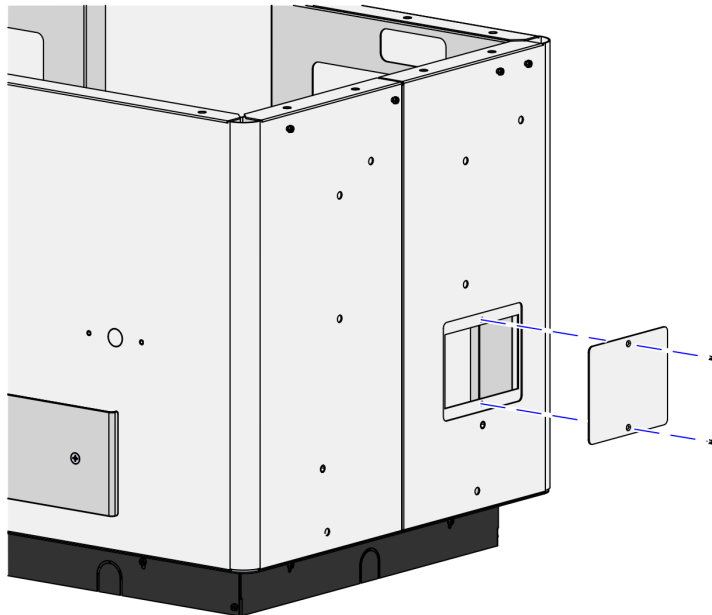
Note: For the purpose of illustration only, this procedure shows images using Left-hand (LH) orientation.

1. Do the following:
 - a. Remove the fences from the Large Basket (Basket) Module. For more information, refer to [Removing Fences](#) on page 26.
 - b. Remove the V-Bagwell. For more information, refer to [Removing V-Bagwell](#) on page 29.

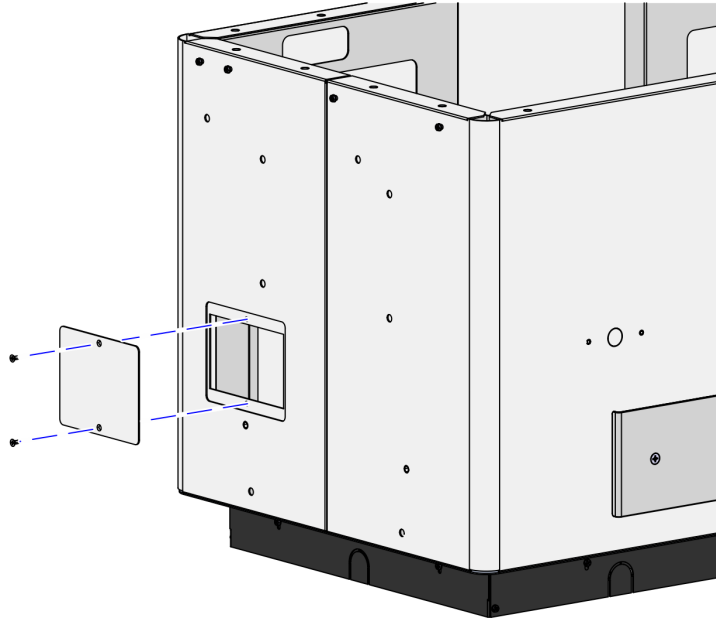


Note: If the V-Bagwell is equipped with a Bottom-of-Basket (BoB) Camera, ensure that the camera cable is disconnected from the SelfServ Checkout unit. For more information the changing the orientation of the Bottom-of-Basket (BoB) Camera, refer to *7358-K582 Bottom-of-Basket Camera Kit Instructions*.


2. Remove and install the blanking plate on the side cable access hole by doing the following:
 - a. Detach the blanking plate by removing two (2) screws.



- b. Install the blank plate to the side cable access hole on the opposite side of the V-Bagwell using two (2) screws.



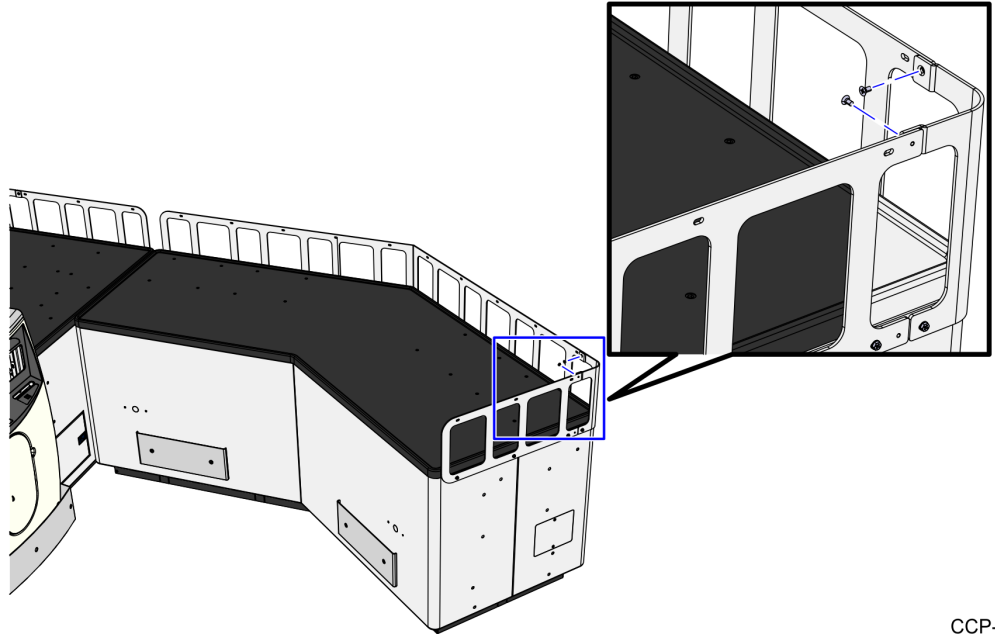
CCP-77287

3. Do the following:
 - a. Install the Corner Bagwell on the other side of the SelfServ Checkout unit. For more information, refer to *7358-K580/K583/K584 Large Basket Corner Module Kit Instructions*.
 - b. Install the V-Bagwell to the Corner Bagwell. For more information, refer to [Installing V-Bagwell](#) on page 12.
-  **Note:** If the V-Bagwell is equipped with a Bottom-of-Basket Camera, change the orientation of the camera. For more information, refer to *7358-K582 Bottom-of-Basket Camera Kit Instructions*.
4. Level the SelfServ Checkout and Large Basket (Basket) Module assembly. For more information, refer to the "Leveling SelfServ Checkout Unit" section of *NCR FastLane SelfServ™ Checkout (7358) R6L Plus Hardware Installation Guide (BCC5-0000-5263)*.

Removing Fences

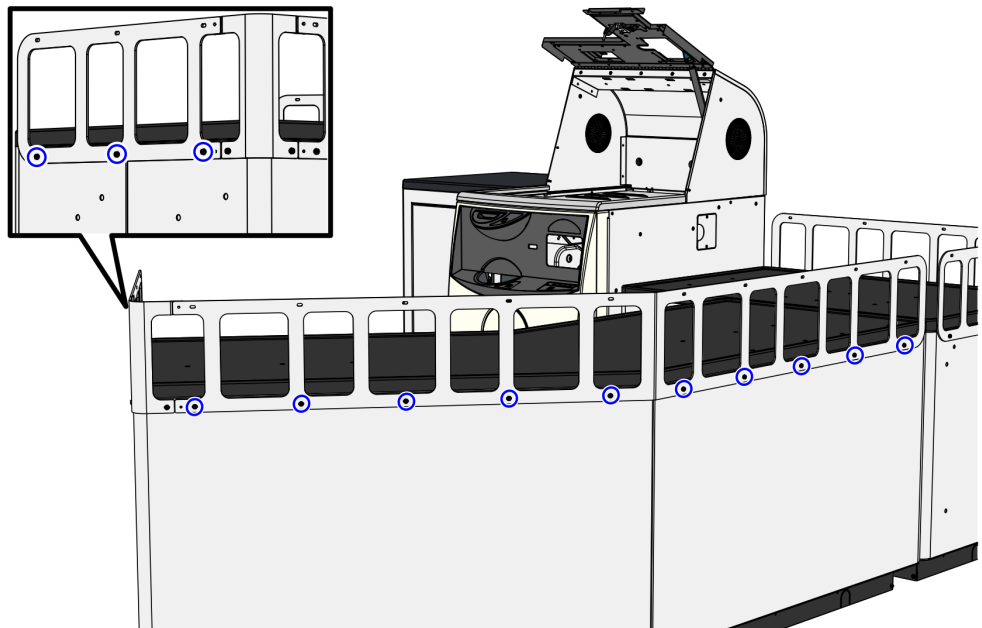
To remove the fences, follow these steps:

1. Remove the fences from the V-Bagwell by doing the following:
 - a. Remove the two (2) screws securing each side fence to the corner fence, as shown in the image below.



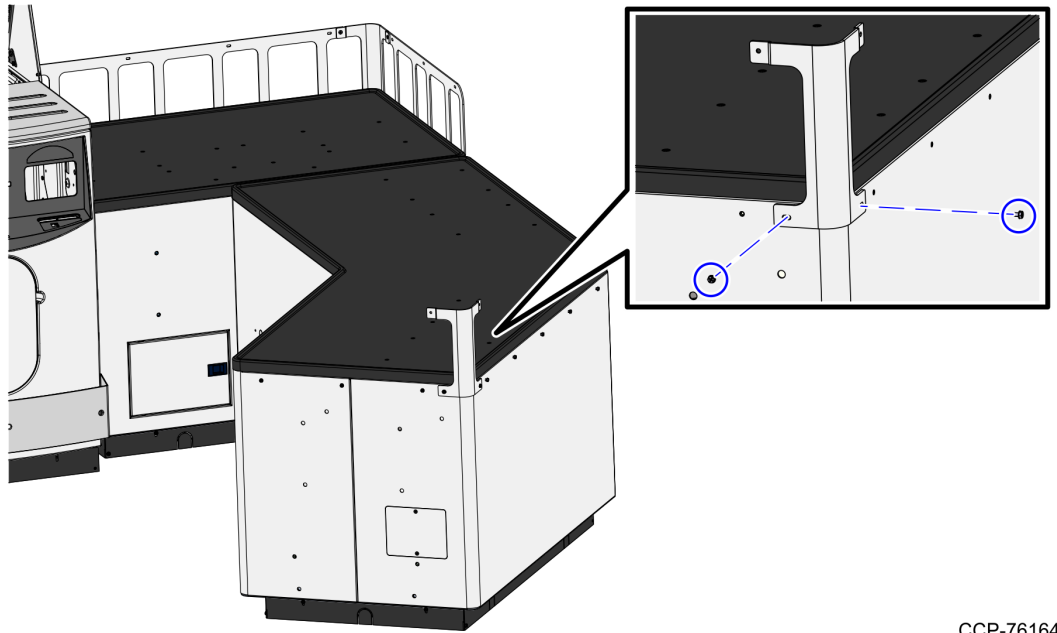
CCP-76165

- b. Remove the 13 screws securing the side fences on the V-Bagwell, as shown in the image below.



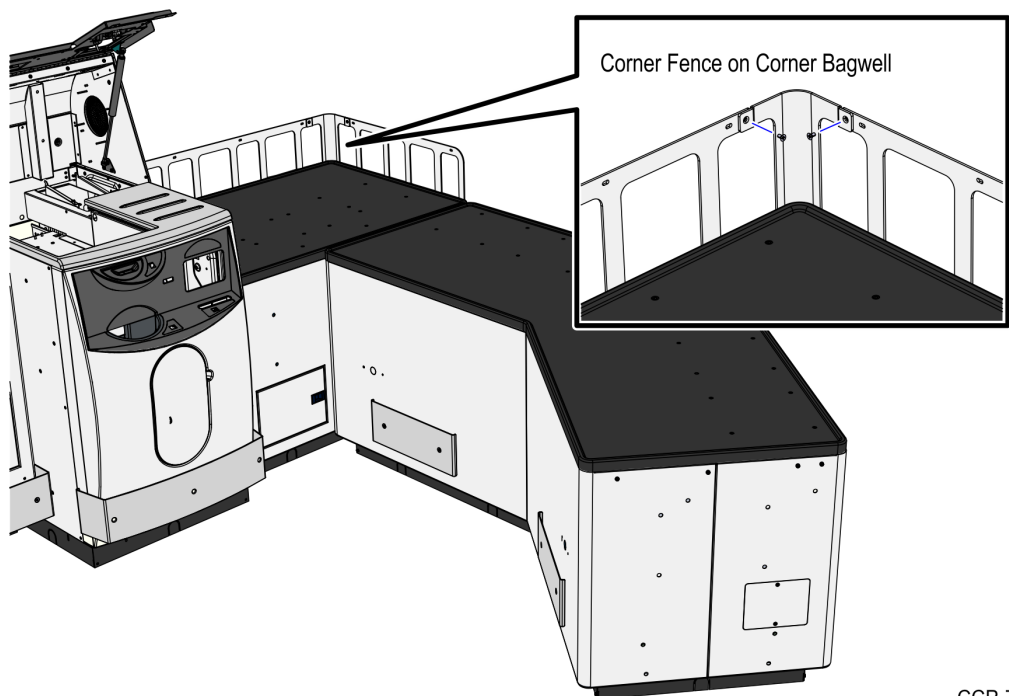
CCP-76134

- c. Remove the two (2) screws securing the corner fence on the V-Bagwell, as shown in the image below.



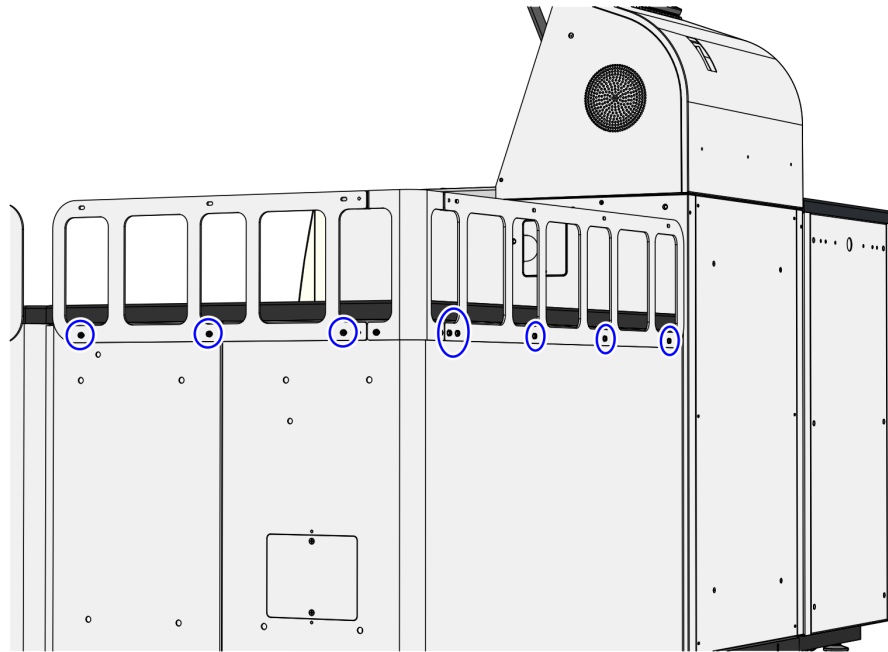
CCP-76164

2. Remove the fences from the Corner Bagwell by doing the following:
 - a. Remove the two (2) screws securing each side fence to the corner fence, as shown in the image below.



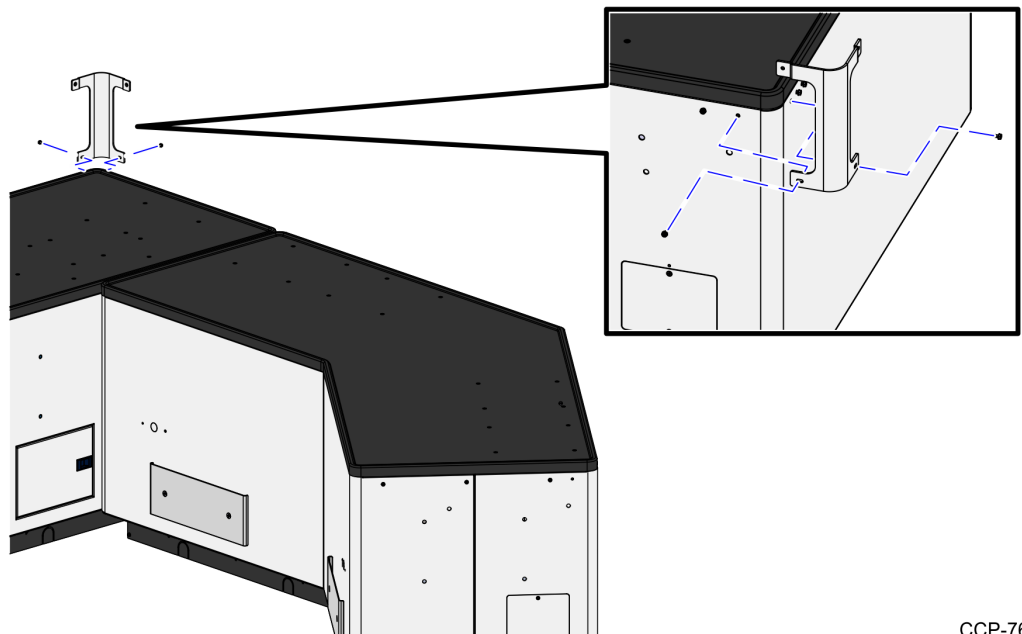
CCP-76135

- b. Remove the seven (7) screws securing the side fences on the Corner Bagwell, as shown in the image below.



CCP-76133

- c. Remove the two (2) screws securing the corner fence on the Bagwell using , as shown in the image below.



CCP-76132

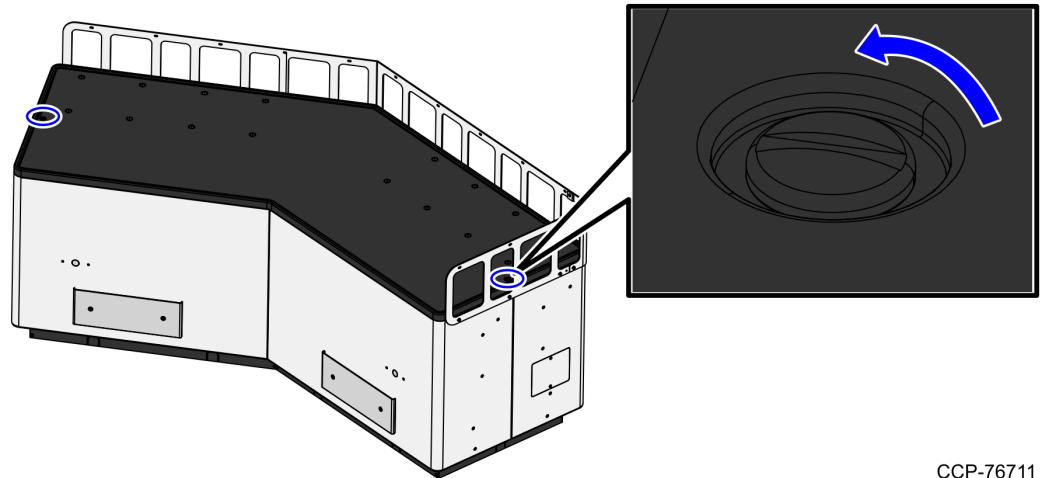
Removing V-Bagwell

To remove the V-Bagwell, follow these steps:



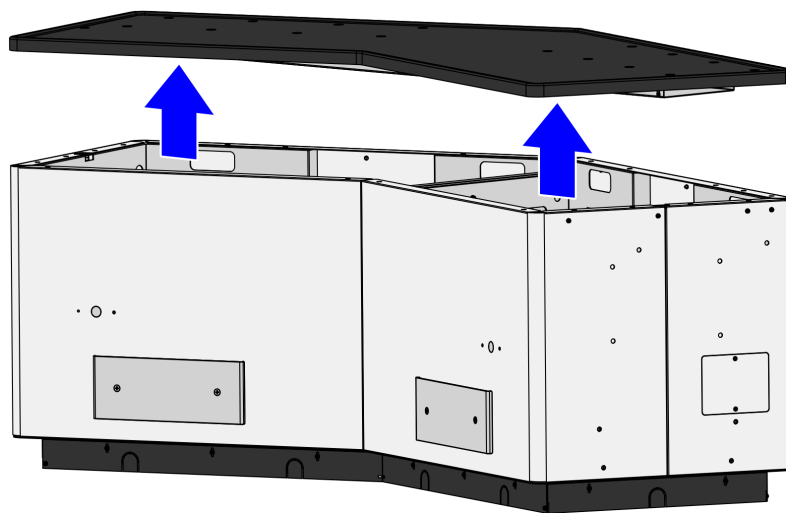
Note: For the purpose of illustration only, this procedure shows images using Left-hand (LH) orientation.

1. Do the following:
 - a. On both sides of the top cover tray, turn the Service screw counterclockwise to unlock the tray from the Corner Bagwell.



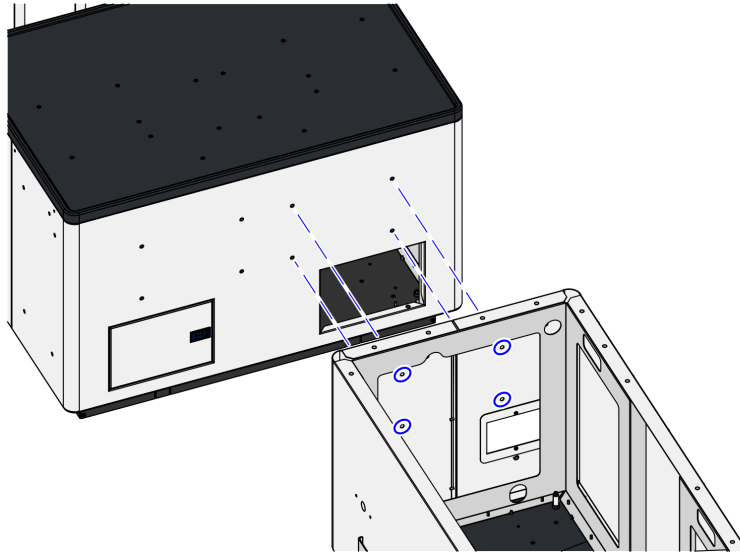
CCP-76711

- b. Remove the top cover of the Corner Bagwell to access the mounting holes, as shown in the image below.



CCP-76128

2. Remove the four (4) Phillips pan head screws securing the V-Bagwell to the Corner Bagwell, as shown in the image below.



CCP-76129