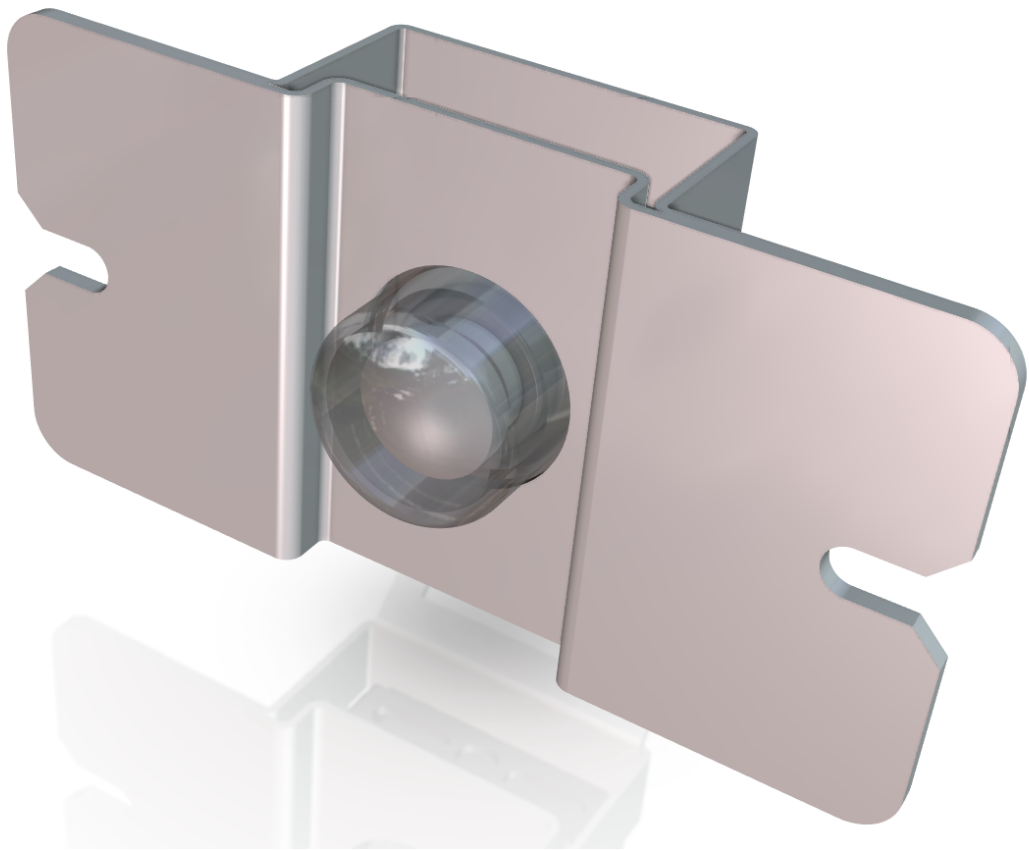


Kit Instructions

Bottom-of-Basket Camera



7358-K582
Issue B



The product described in this document is a licensed product of NCR Corporation.

NCR is a registered trademark of NCR Corporation. NCR FastLane SelfServ™ Checkout (7358) R6L Plus is a trademark of NCR Corporation in the United States and/or other countries. Other product names mentioned in this publication may be trademarks or registered trademarks of their respective companies and are hereby acknowledged.

The terms HDMI and HDMI High-Definition Multimedia Interface, and the HDMI Logo are trademarks or registered trademarks of HDMI Licensing LLC in the United States and other countries.

Where creation of derivative works, modifications or copies of this NCR copyrighted documentation is permitted under the terms and conditions of an agreement you have with NCR, NCR's copyright notice must be included.

It is the policy of NCR Corporation (NCR) to improve products as new technology, components, software, and firmware become available. NCR, therefore, reserves the right to change specifications without prior notice.

All features, functions, and operations described herein may not be marketed by NCR in all parts of the world. In some instances, photographs are of equipment prototypes. Therefore, before using this document, consult with your NCR representative or NCR office for information that is applicable and current.

To maintain the quality of our publications, we need your comments on the accuracy, clarity, organization, and value of this book. Please use the link below to send your comments.

EMail: FD230036@ncr.com

Copyright © 2019
By NCR Corporation
Global Headquarters
864 Spring St. NW
Atlanta, GA 30308
United States
All Rights Reserved

Revision Record

Issue	Date	Remarks
A	Mar 2019	First issue.
B	Nov 2019	Added <u>Changing</u> <u>Bottom-of-</u> <u>Basket</u> <u>Camera</u> <u>Orientation</u> on page 9.

7358-K582 Bottom-of-Basket Camera

The Bottom-of-Basket (BoB) Camera captures the lower cart shelf to monitor transactions that may involve theft or improper cash management. It can also help improve the management of the store's inventory.. This publication provides procedures for installing the BoB Camera on a Large Basket Module.

The NCR FastLane SelfServ™ Checkout (7358) R6L Plus with a Bagging Area (Bagwell) Module or Large Basket (Basket) Module can be configured for either Left-hand (LH) orientation or Right-hand (RH) orientation, which refers to the direction customers scan and bag items.

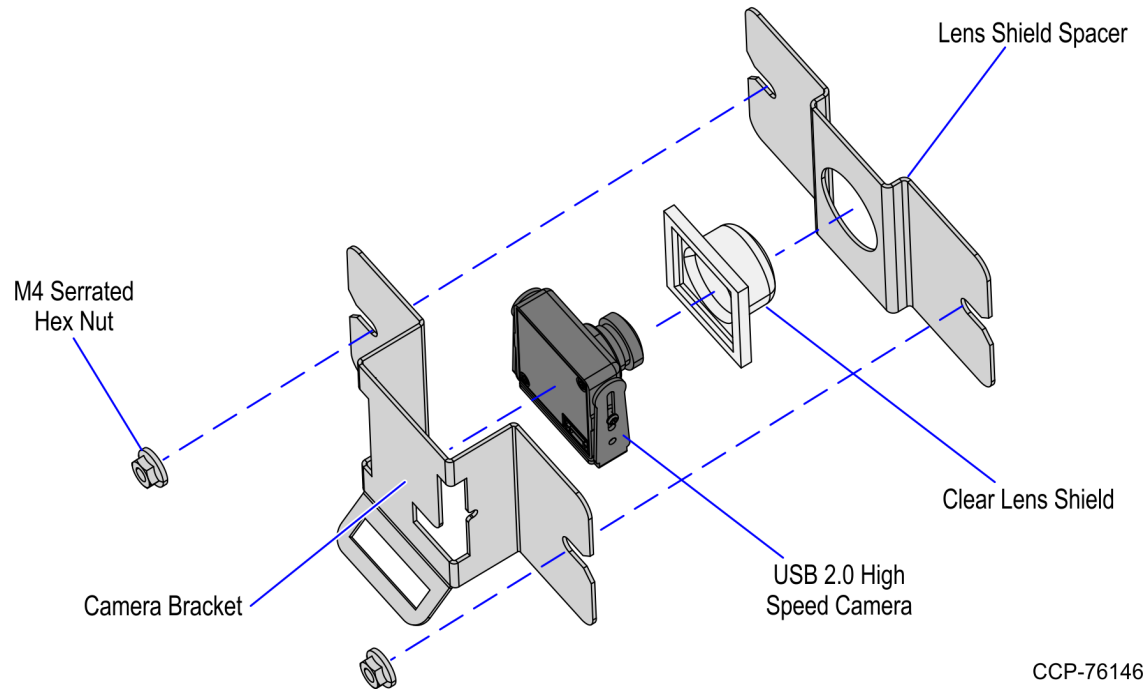
- **Left-hand (LH) orientation**—Customers scan from left to right.
- **Right-hand (RH) orientation**—Customers scan from right to left.



Note: The orientation of the unit is determined by the position of the Lower Core (Cabinet) Module in relation to the Bagging Area (Bagwell) Module or Large Basket (Basket) Module.

Example: The Left-hand (LH) unit has the Cabinet positioned on the left side of the Bagwell or Basket.

Kit Contents



Part Numbers	Description
497-0524617	7358-K582 KIT - BOTTOM OF BASKET CAMERA
* 497-0525400	Assembly - USB 2.0 High Speed Camera with 6m USB cable
497-0523191	Clear Lens Shield
497-0524539	Camera Bracket Assembly <ul style="list-style-type: none"> • Serrated Nut-Self Locking (Hex, M4, 4.2) (2 pcs) • Lens Shield Spacer • Camera Bracket
* 007-9714414	Tie Strap Plain 5.60 LG
* 497-0423108	Instructions-Kit (Reference Sheet)

* Items marked with an asterisk are not called out on the image.

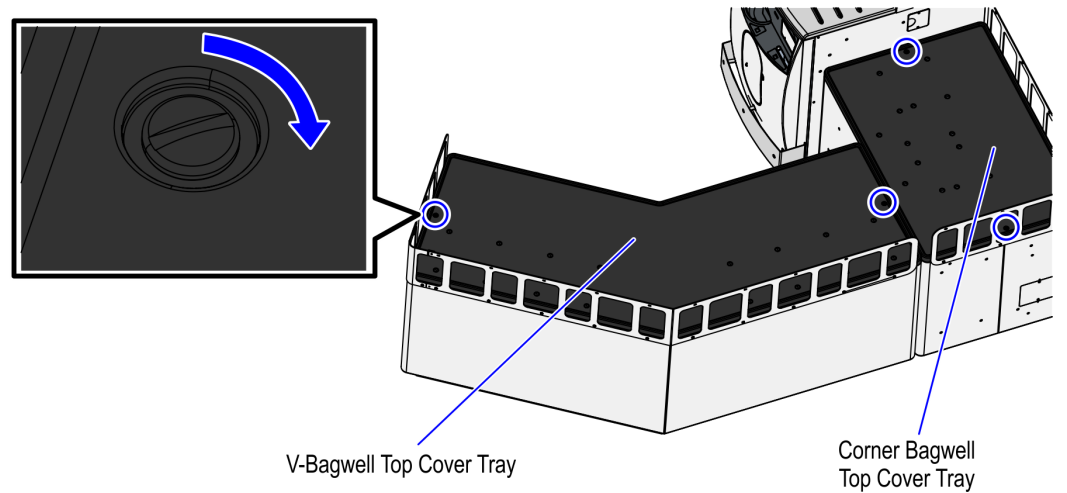
Installation Procedure

To install the Bottom-of-Basket Camera, follow these steps:



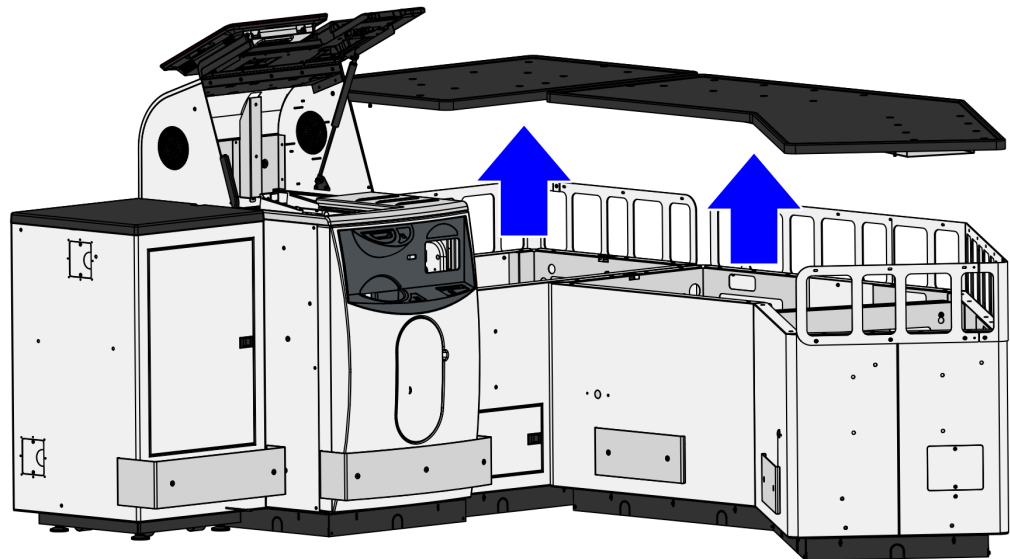
Note: For the purpose of illustration only, this procedure shows images using Left-hand (LH) orientation.

1. Access the camera mounting hole and cable access holes by doing the following:
 - a. On both sides of the V-Bagwell and Corner Bagwell top cover trays, turn the Service screws clockwise at approximately $\frac{1}{4}$ turn.



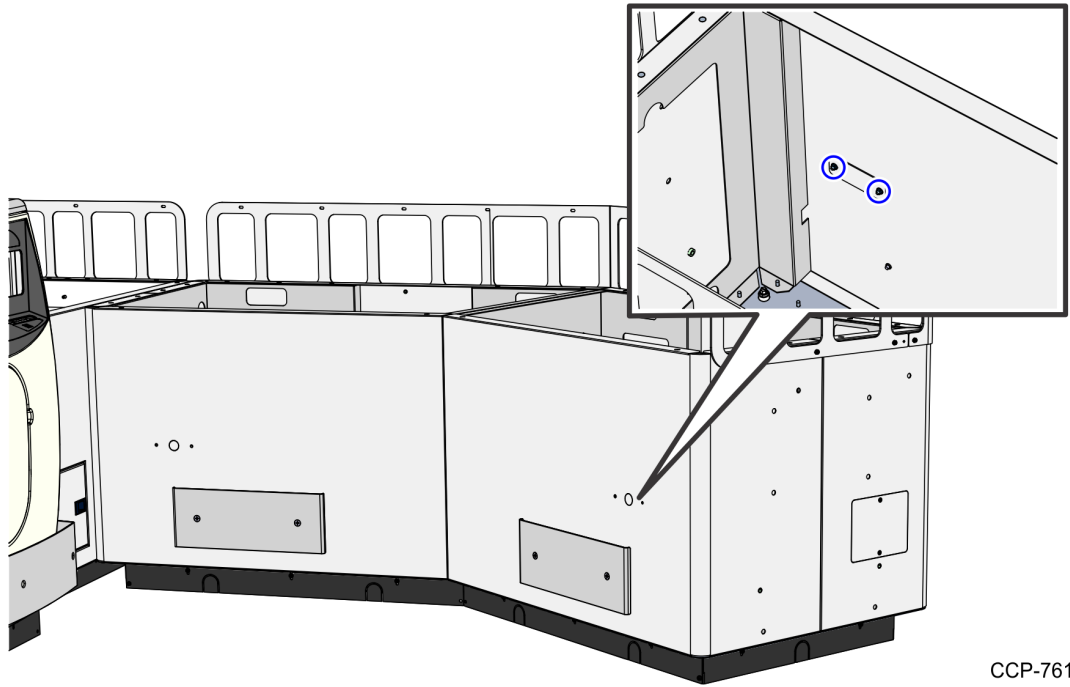
CCP-76158

- b. Remove the top cover trays from the Bagwells.

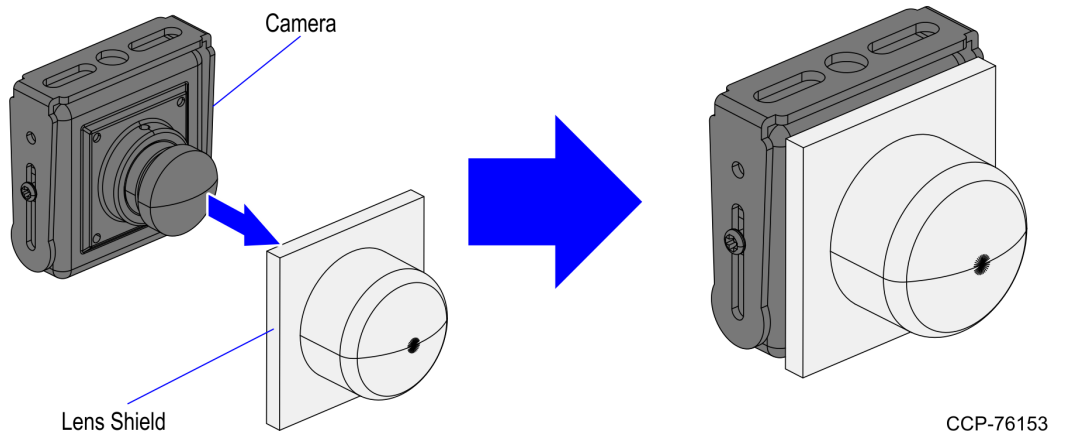


CCP-76156

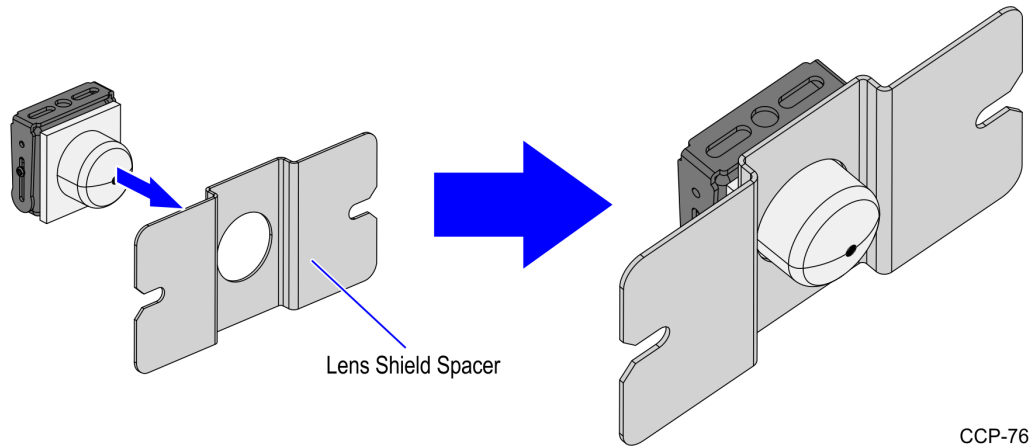
2. Remove two (2) nuts to detach the camera blanking plate from the Bagwell wall, as shown in the image below.



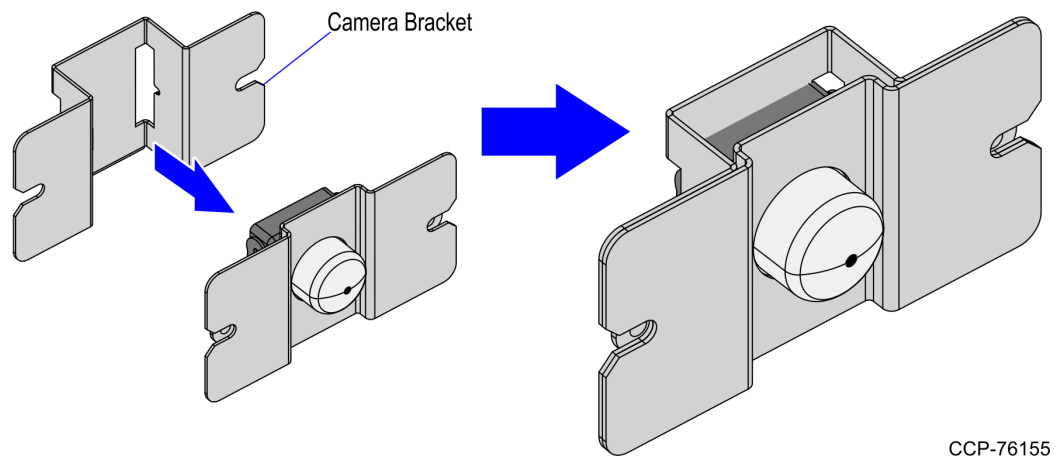
3. Do the following:
 - a. Attach the Lens Shield to the Camera.



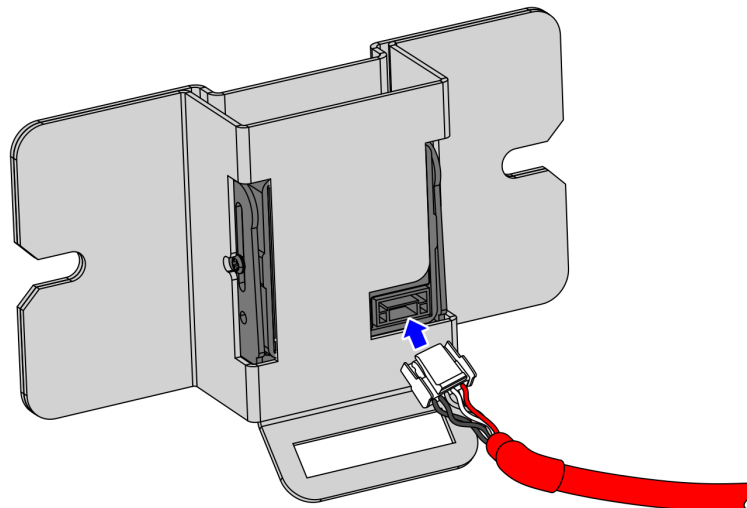
- b. Insert the Camera into the Lens Shield Spacer hole, as shown in the image below.



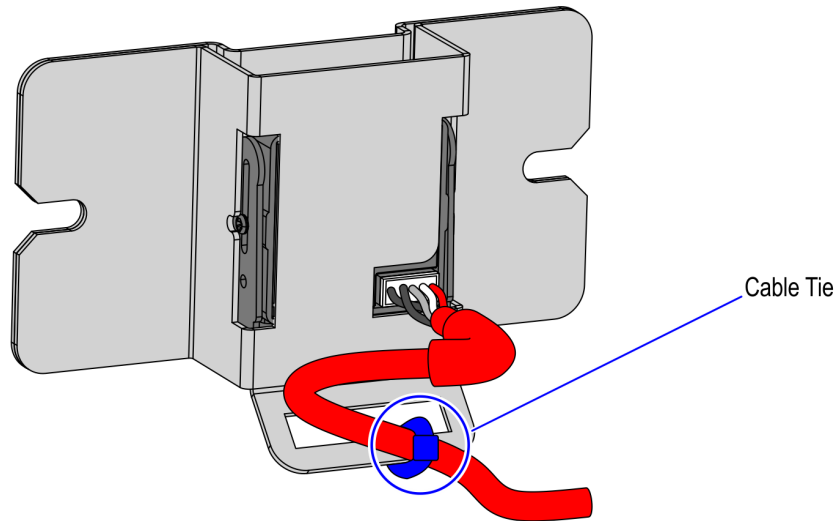
- c. Position the Camera Bracket so that its screw slots are aligned with the screw slots of the Lens Shield Spacer.



- 4. Connect the Camera USB cable to the BoB Camera port.

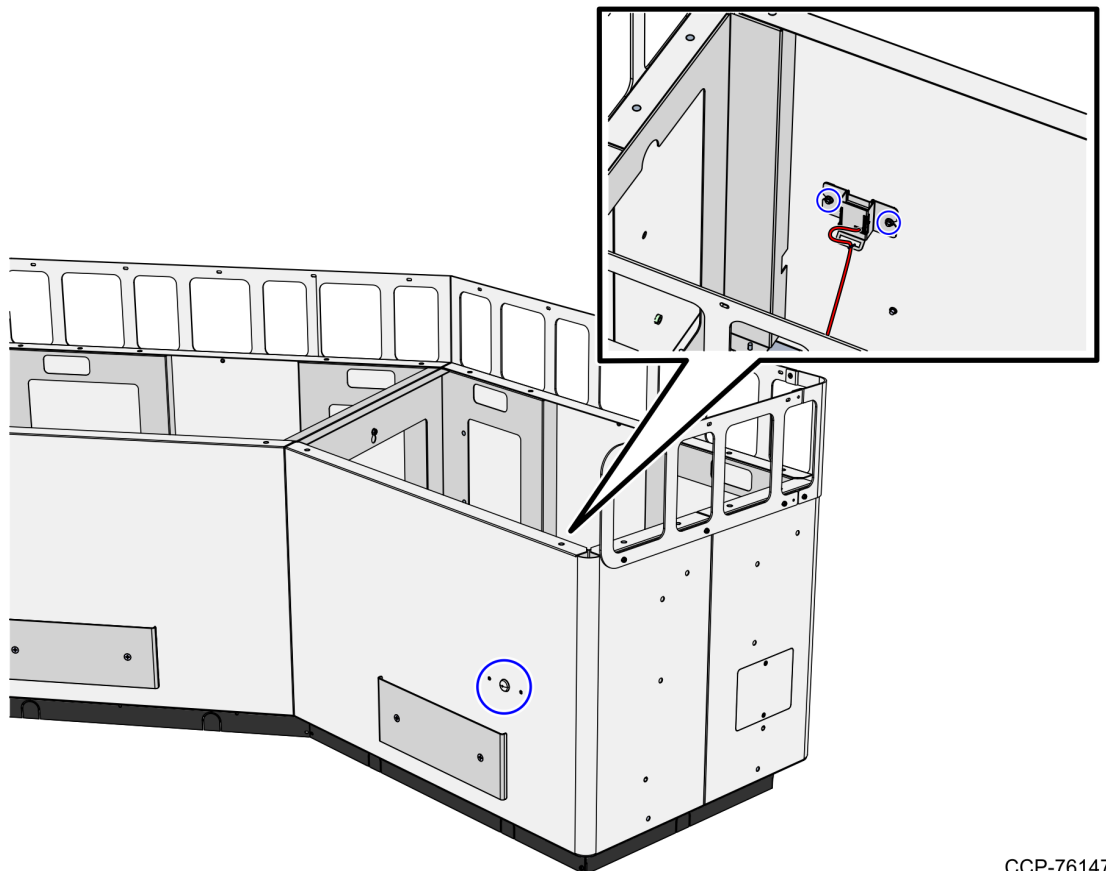


5. Secure the Camera USB cable on the camera bracket using a cable tie.



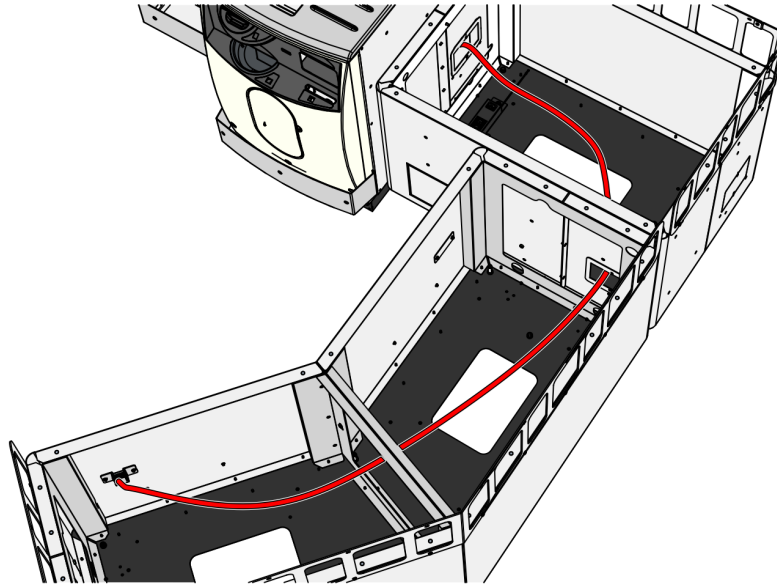
CCP-76700

6. Position the Camera assembly on the Camera mounting hole and then secure using two (2) nuts.



CCP-76147

7. Route the cable to the SelfServ Checkout unit through the cable access holes of the Bagwells.

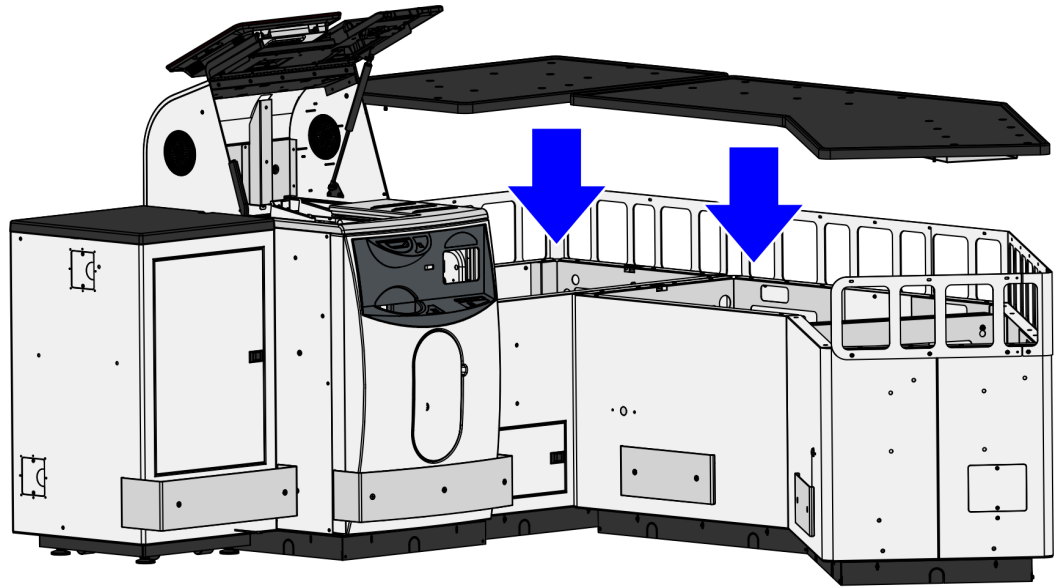


CCP-76159

8. Depending on the SelfServ Checkout unit, connect the other end of the cable to the corresponding ports, as shown in the table below.

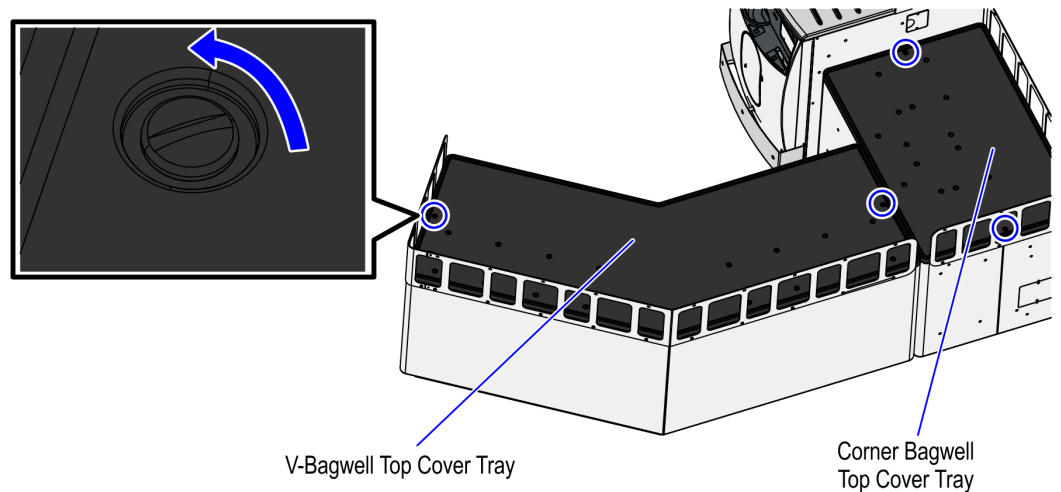
Port	SelfServ Checkout Unit	Destination Connection (Location)
Camera	NCR SelfServ™ Checkout (7350)	E-Box
	<ul style="list-style-type: none"> NCR SelfServ™ Checkout (7350) R6 Lite NCR FastLane SelfServ™ Checkout (7358) 	XR7 (7702) Terminal Display (USB D) or R6 I/O Box (USB Q)

9. Do the following:
 - a. Install the top cover trays to close the Bagwells.



CCP-76157

- b. Push and turn the Service screws counterclockwise at approximately $\frac{1}{4}$ turn to lock the top cover trays in place, as shown in the image below.



CCP-76199

To change the orientation of the Bottom-of-Basket Camera, refer to [Changing Bottom-of-Basket Camera Orientation](#) on the facing page.

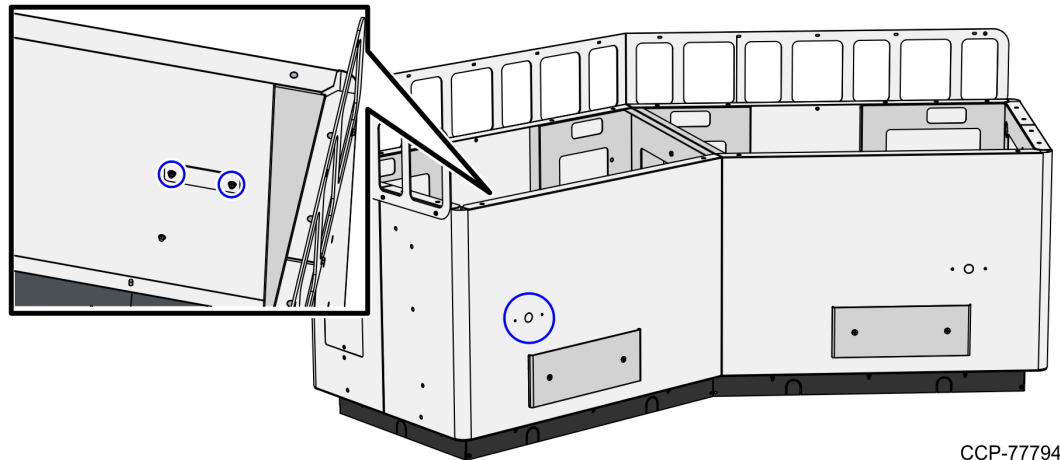
Changing Bottom-of-Basket Camera Orientation

To change the orientation of the Bottom-of-Basket Camera, follow these steps:



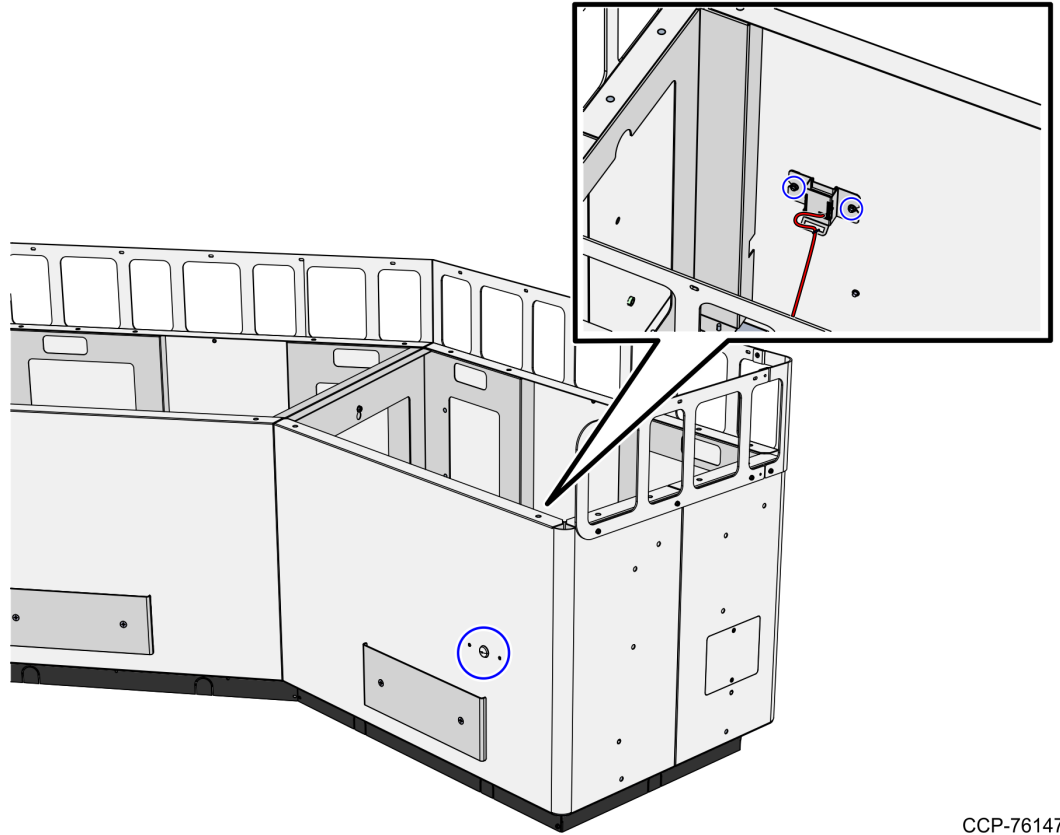
Note: This procedure should be done only when changing the orientation of the Large Basket Angled Module (V-Bagwell). For the purpose of illustration only, this procedure shows images converting a Left-hand (LH) orientation to a Right-hand (RH) orientation.

1. Change the orientation of the Large Basket Angled Module (V-Bagwell), if necessary. For more information, refer to *7358-K589/K590/K591 Large Basket Angled Module Kit Instructions*.
2. Remove the Camera assembly and blanking plate that are installed inside the Bagwell by doing the following:
 - Remove two (2) nuts to detach the Camera blanking plate from the Bagwell wall, as shown in the image below.

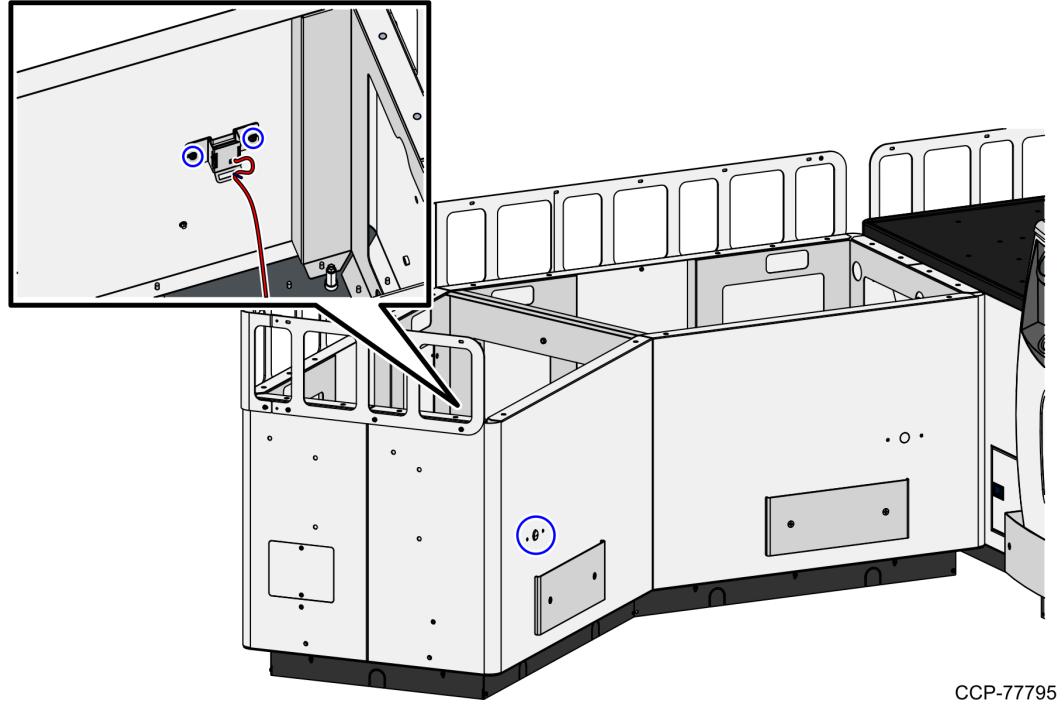


CCP-77794

- Remove two (2) nuts to detach the Camera assembly from the Camera mounting hole.

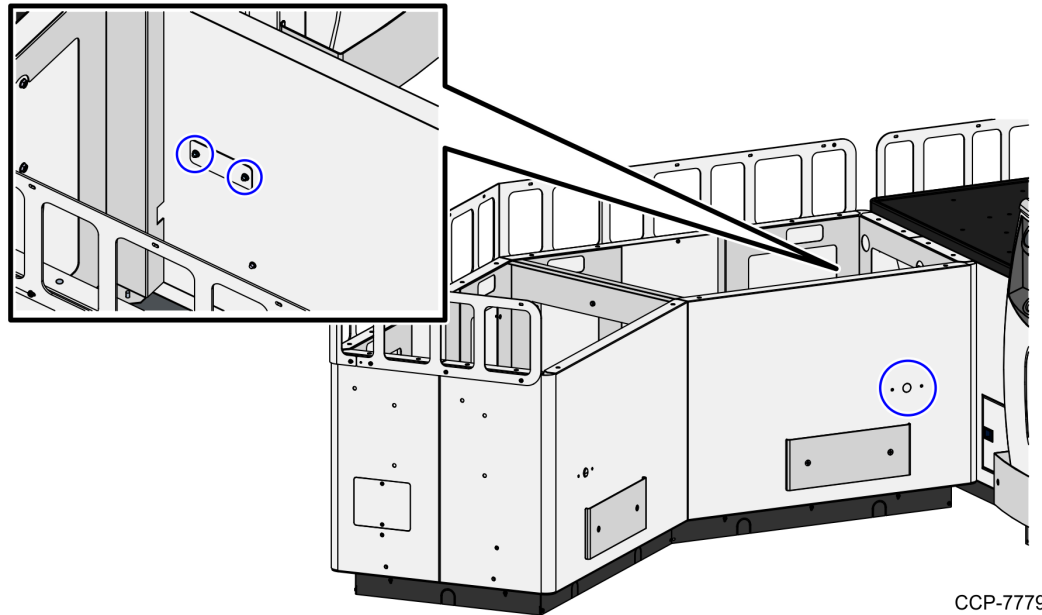


3. Install the Camera assembly and blanking plate inside the Bagwell by doing the following:
 - Secure the Camera assembly to the Camera mounting hole on the other side of the V-Bagwell using two (2) nuts, as shown in the image below.



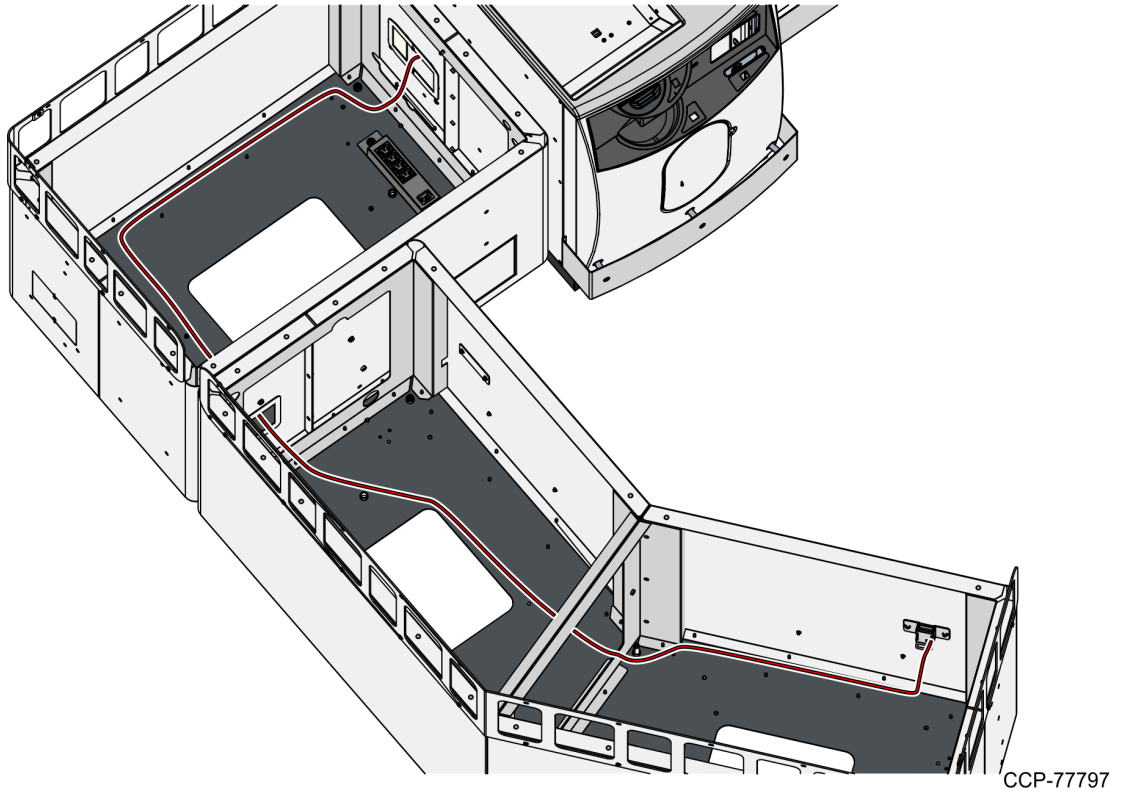
CCP-77795

- Install the Camera blanking plate on the empty Camera mounting hole on the Bagwell wall.



CCP-77796

4. Route the cable to the SelfServ Checkout unit through the cable access holes of the Bagwells, as shown in the image below.



5. Depending on the SelfServ Checkout unit, connect the other end of the cable to the corresponding ports. Refer to the table below for the location of the ports.

Port	SelfServ Checkout Unit	Destination Connection (Location)
Camera	NCR SelfServ™ Checkout (7350)	E-Box
	<ul style="list-style-type: none"> • NCR SelfServ™ Checkout (7350) R6 Lite • NCR FastLane SelfServ™ Checkout (7358) 	<ul style="list-style-type: none"> XR7 (7702) Terminal Display (USB D) or R6 I/O Box (USB Q)