

Kit Instructions

Input Counter Module



7358-K581
Issue A



The product described in this document is a licensed product of NCR Corporation.

NCR is a registered trademark of NCR Corporation. NCR FastLane SelfServ™ Checkout (7358) R6L Plus is a trademark of NCR Corporation in the United States and/or other countries. Other product names mentioned in this publication may be trademarks or registered trademarks of their respective companies and are hereby acknowledged.

The terms HDMI and HDMI High-Definition Multimedia Interface, and the HDMI Logo are trademarks or registered trademarks of HDMI Licensing LLC in the United States and other countries.

Where creation of derivative works, modifications or copies of this NCR copyrighted documentation is permitted under the terms and conditions of an agreement you have with NCR, NCR's copyright notice must be included.

It is the policy of NCR Corporation (NCR) to improve products as new technology, components, software, and firmware become available. NCR, therefore, reserves the right to change specifications without prior notice.

All features, functions, and operations described herein may not be marketed by NCR in all parts of the world. In some instances, photographs are of equipment prototypes. Therefore, before using this document, consult with your NCR representative or NCR office for information that is applicable and current.

To maintain the quality of our publications, we need your comments on the accuracy, clarity, organization, and value of this book. Please use the link below to send your comments.

EMail: FD230036@ncr.com

Copyright © 2019
By NCR Corporation
Global Headquarters
864 Spring St. NW
Atlanta, GA 30308
United States
All Rights Reserved

Revision Record

Issue	Date	Remarks
A	Mar 2019	First issue.

Input Counter

The Input Counter provides a flat surface on which shoppers unload items from their carts before scanning the items. This publication provides procedures for installing Input Counter on a SelfServ Checkout.

The NCR FastLane SelfServ™ Checkout (7358) R6L Plus with a Bagging Area (Bagwell) Module or Large Basket (Basket) Module can be configured for either Left-hand (LH) orientation or Right-hand (RH) orientation, which refers to the direction customers scan and bag items.

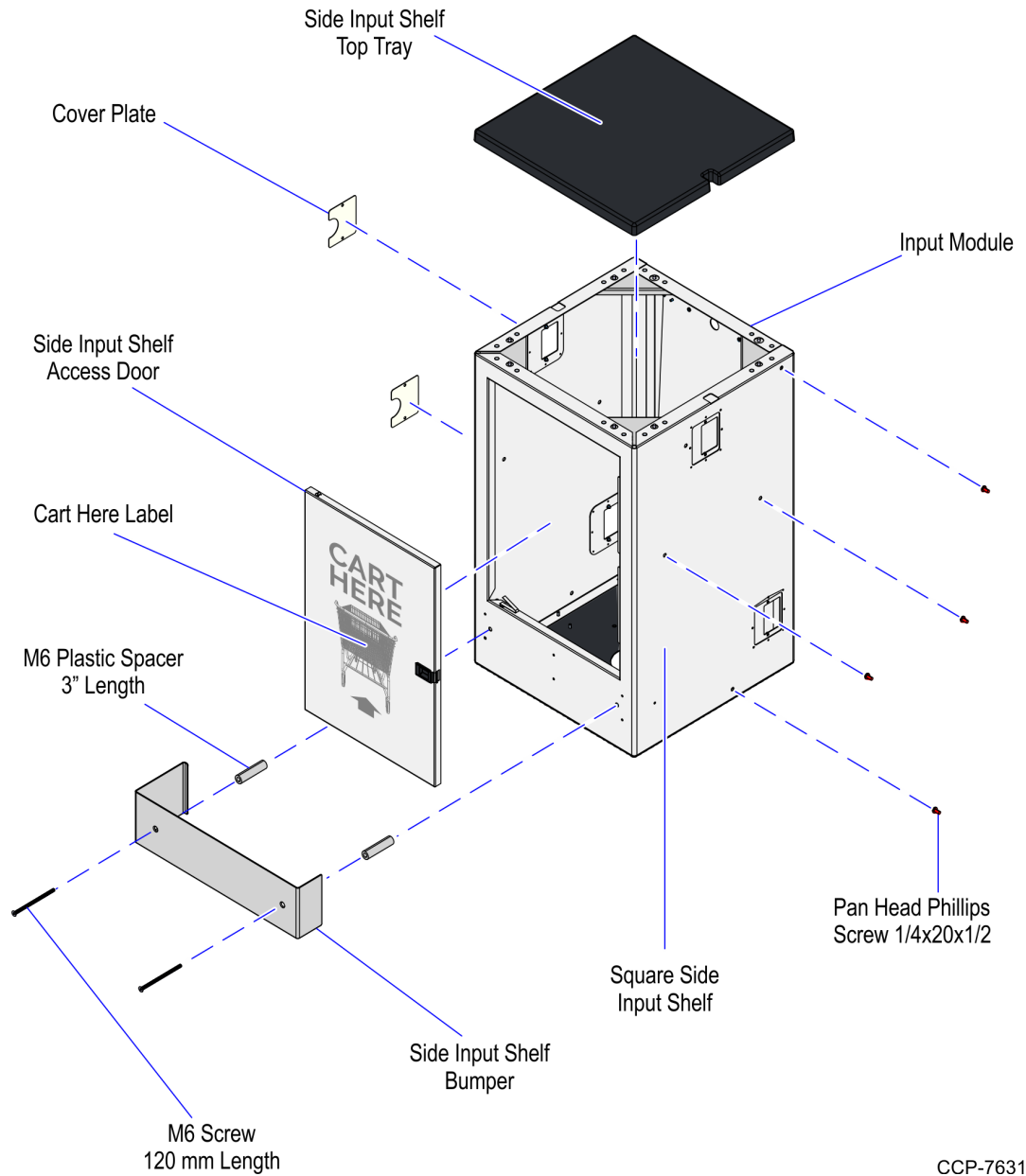
- **Left-hand (LH) orientation**— Customers scan from left to right.
- **Right-hand (RH) orientation**— Customers scan from right to left.



Note: The orientation of the unit is determined by the position of the Lower Core (Cabinet) Module in relation to the Bagging Area (Bagwell) Module or Large Basket (Basket) Module.

Example: The Left-hand (LH) unit has the Cabinet positioned on the left of the Bagwell or Basket.

Kit Contents



Part Number	Description
497-0524616	Kit - Input Module (NCR Dark White)
006-8604541	Pan Head Phillips Screw 1/4-20 x 1/2 (4pcs)
* 795-0117131	Hole Cover Label - Custom Color (NCR Dark White)
795-0278031	Input Module (NCR Dark White)
* 006-8611505	Bushing, Nylon, (2pcs)

Part Number	Description
* 006-8612916	Caster, Swivel 1 7/16" wheel (4pcs)
* 006-8624157	Articulating Adjustable Foot (4pcs)
006-8627271	M6, 3-inch Length Plastic Spacer, (2pcs)
006-8627272	M6 Screw, 120 mm Length (2pcs)
* 007-7022121	Screw MA Flat POZ M4 8L, (4pcs)
* 009-0006597	Screws M6 x 8 RoHS, (8pcs)
* 009-0007088	M6 Serrated Nut (8pcs)
497-0523107	Side Input Shelf, Top Tray
497-0523108	Side Input Shelf Bumper
795-0108431	Cover Plate - core access (NCR Dark White), (2pcs)
795-0269231	Square, Side Input Shelf (NCR Dark White)
795-0269731	Side Input Shelf, Access Door (NCR Dark White)
006-8627454	Label, Cart Here (Gray)
* 497-0423108	Instructions - Kit (Reference Sheet)

Installation Procedures

To install the Input Counter, follow these steps:

1. Install the Input Counter. For more information, refer to [Installing Input Counter](#) on the facing page.
2. Install the Input Counter Bumper. For more information, refer to [Installing Input Counter Bumper](#) on page 8.
3. Install the Hole Label Covers on the Input Counter. For more information, refer to [Installing Hole Label Covers](#) on page 10.

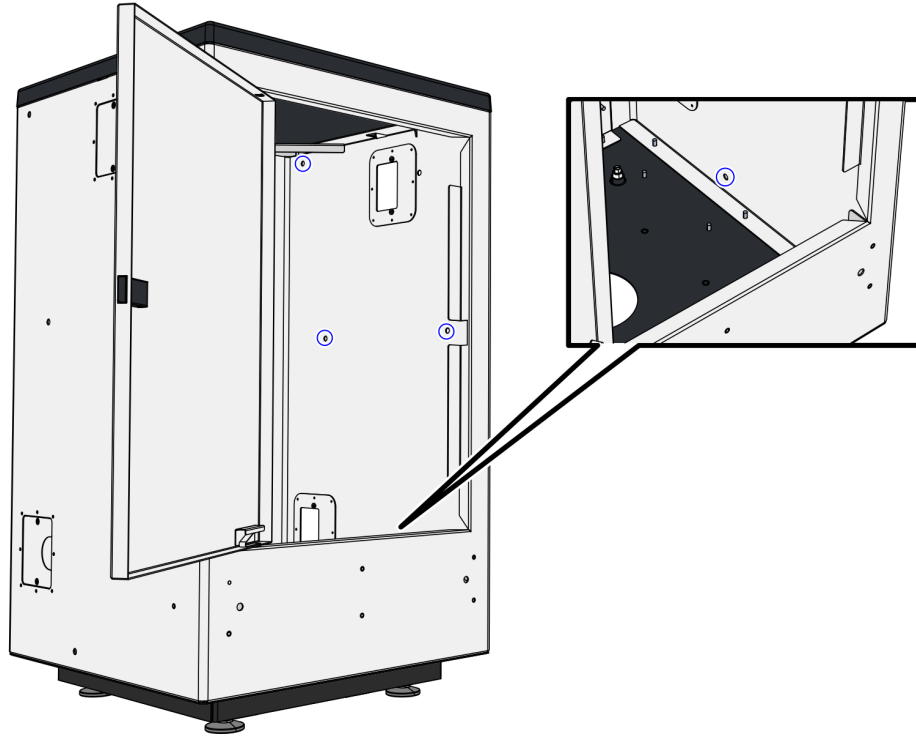
Installing Input Counter

To install the Input Counter, follow these steps:



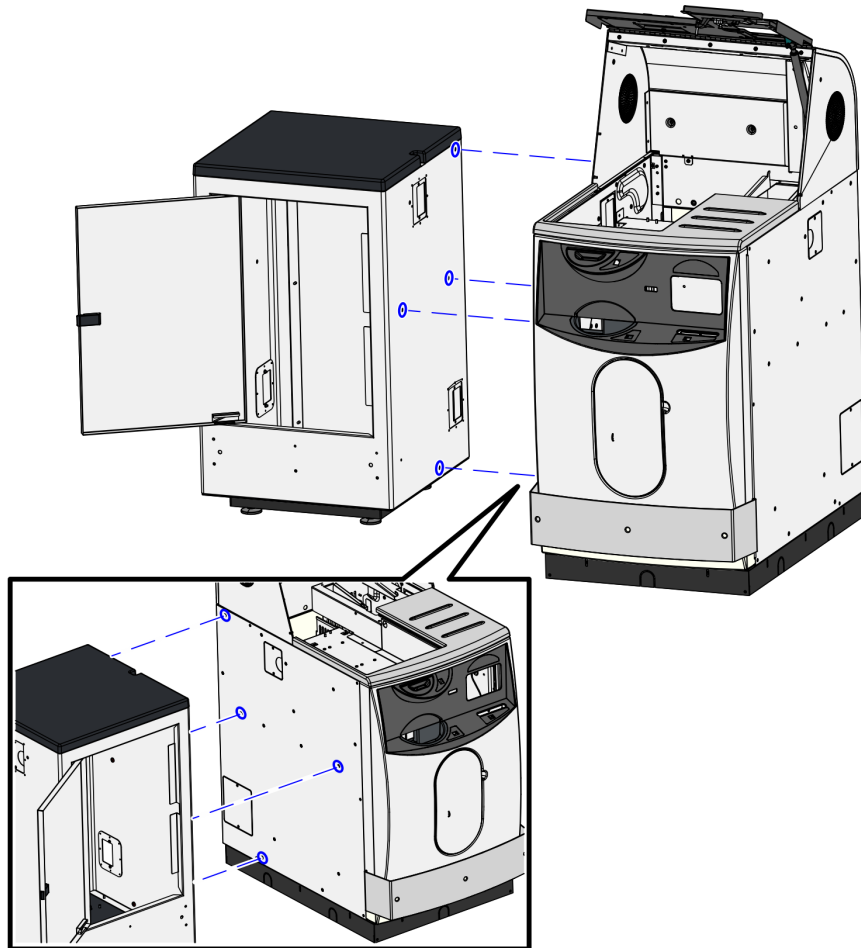
Note: For the purpose of illustration only, this procedure shows images using Left-hand (LH) orientation.

1. Open the Input Counter Door to access the mounting holes.

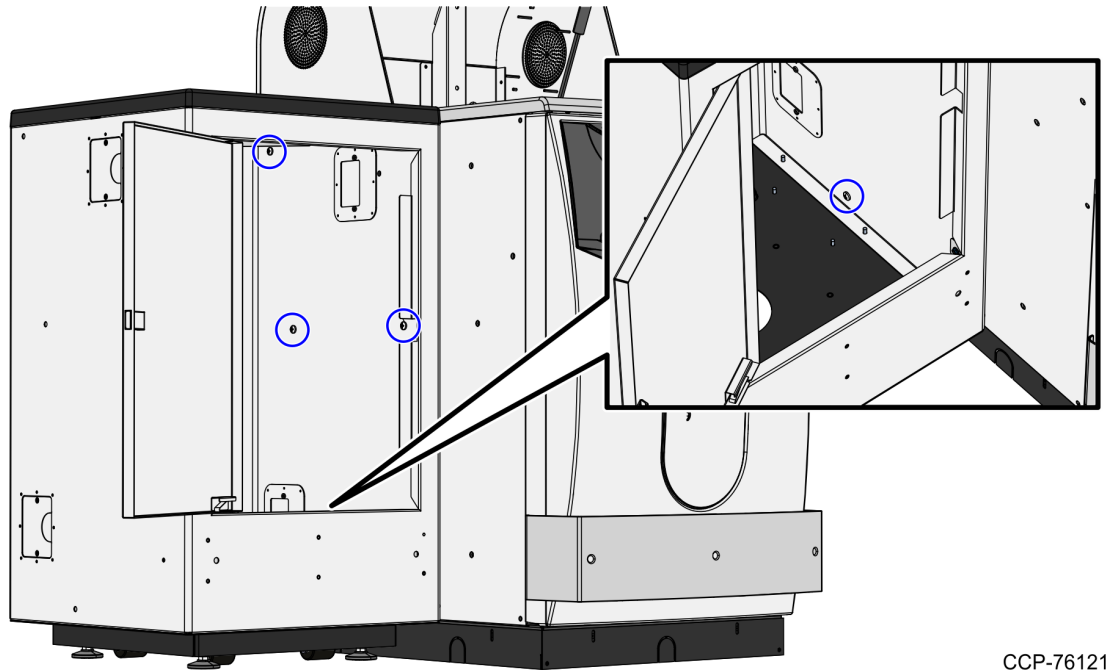


CCP-76120

2. Do the following:
 - a. Align the screw slots of the Input Counter to the corresponding holes on the SelfServ Checkout unit.



- b. Using four (4) Phillips pan head screws, secure the Input Counter to the SelfServ Checkout Core Cabinet, as shown in the image below.



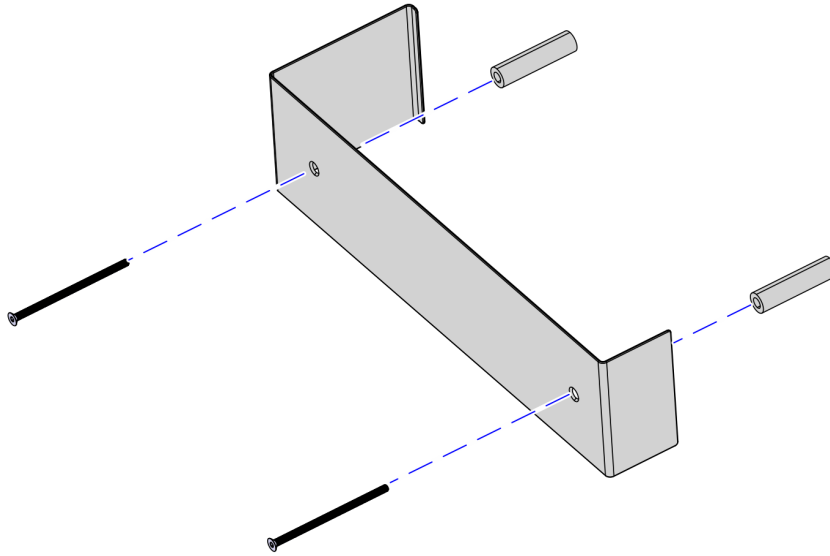
CCP-76121

To install the Input Counter Bumper, refer to [Installing Input Counter Bumper](#) on the next page.

Installing Input Counter Bumper

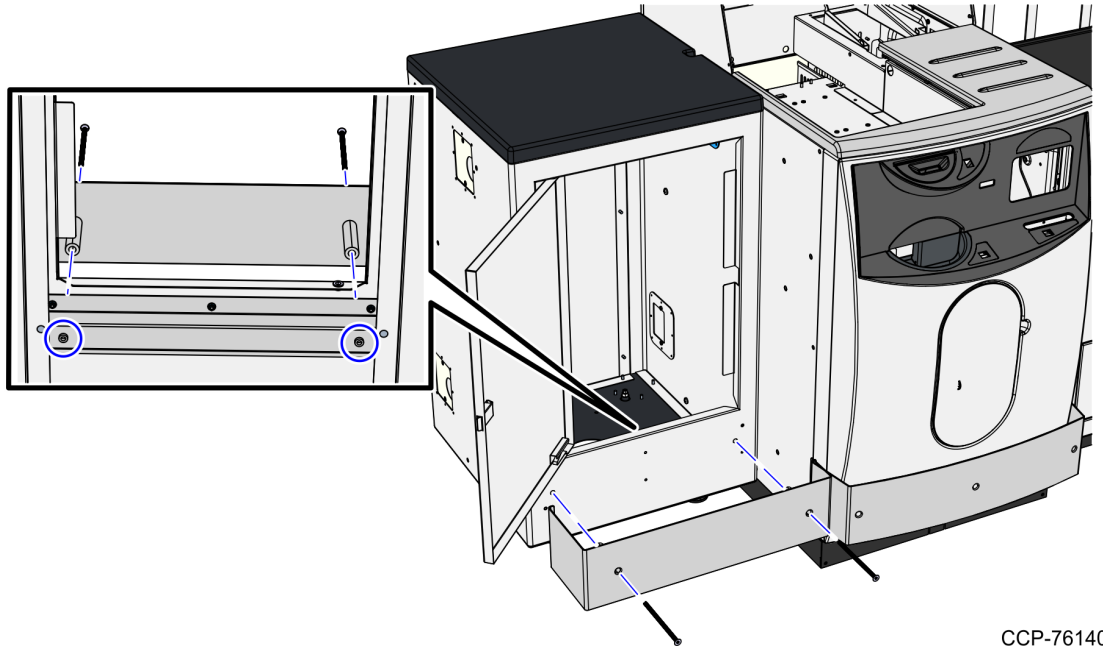
To install the Input Counter Bumper, follow these steps:

1. Open the Input Counter Door, if necessary.
2. Fasten two (2) spacers on the Bumper using two (2) screws.



CCP-76151

3. Position the Bumper by aligning the screws with the holes on the Input Counter and then secure the Bumper using two (2) nuts, as shown in the image below.



CCP-76140

4. Close the Input Counter Door.



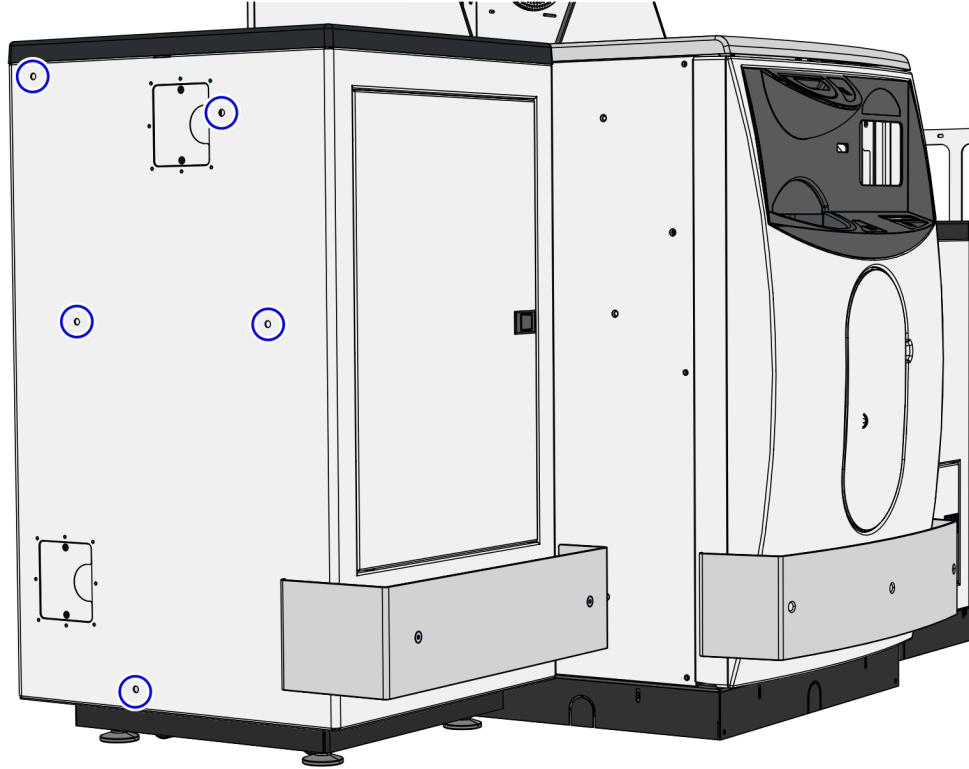
Note: Ensure that the door is locked by pushing the door until an automatic lock click is heard.

Installing Hole Label Covers

Fasten the hole label covers on the areas shown in the image below.



Note: For the purpose of illustration only, this procedure shows images using Left-hand (LH) orientation.



CCP-76149