

Kit Instructions

Large Basket Corner Module (Corner Bagwell)



7358-K580/K583/K584
Issue B



The product described in this document is a licensed product of NCR Corporation.

NCR is a registered trademark of NCR Corporation. NCR FastLane SelfServ™ Checkout is a trademark of NCR Corporation in the United States and/or other countries. Other product names mentioned in this publication may be trademarks or registered trademarks of their respective companies and are hereby acknowledged.

The terms HDMI and HDMI High-Definition Multimedia Interface, and the HDMI Logo are trademarks or registered trademarks of HDMI Licensing LLC in the United States and other countries.

Where creation of derivative works, modifications or copies of this NCR copyrighted documentation is permitted under the terms and conditions of an agreement you have with NCR, NCR's copyright notice must be included.

It is the policy of NCR Corporation (NCR) to improve products as new technology, components, software, and firmware become available. NCR, therefore, reserves the right to change specifications without prior notice.

All features, functions, and operations described herein may not be marketed by NCR in all parts of the world. In some instances, photographs are of equipment prototypes. Therefore, before using this document, consult with your NCR representative or NCR office for information that is applicable and current.

To maintain the quality of our publications, we need your comments on the accuracy, clarity, organization, and value of this book. Please use the link below to send your comments.

EMail: FD230036@ncr.com

Copyright © 2020
By NCR Corporation
Global Headquarters
864 Spring St. NW
Atlanta, GA 30308
United States
All Rights Reserved

Revision Record

Issue	Date	Remarks
A	Mar 2019	First issue.
B	Mar 2020	<ul style="list-style-type: none">• Updated K580/K583/K584 Kit Contents.• Modified the following sections:<ul style="list-style-type: none">• Installation Procedures on page 9.• Installing Power Pole Cover Assembly on page 20.• Installing Skirt Panels on page 11.• Installing Corner Bagwell on page 13.• Added the following sections:<ul style="list-style-type: none">• Changing Corner Bagwell Orientation on page 29.• Removing Fences on page 33.• Removing Corner Bagwell on page 36.• Removing Power Strip from the Corner Bagwell on page 37.• Routing Cables to Power Pole on page 18.

Large Basket Corner Module

The Large Basket Corner Module (Corner Bagwell) is a component of the Large Basket (Basket) Module, which consists of the following kits:

- Large Basket Angled Module (V-Bagwell)—an angled bagging area that is designed to address large customer transactions.
- Large Basket Corner Module (Corner Bagwell)—a bagging area that provides customers an area where they can place their items after scanning.

The NCR FastLane SelfServ™ Checkout (7358) R6L Plus with a Bagging Area (Bagwell) Module or Large Basket (Basket) Module can be configured for either Left-hand (LH) orientation or Right-hand (RH) orientation, which refers to the direction customers scan and bag items.

- **Left-hand (LH) orientation**—Customers scan from left to right.
- **Right-hand (RH) orientation**—Customers scan from right to left.



Note: The orientation of the unit is determined by the position of the Lower Core (Cabinet) Module in relation to the Bagging Area (Bagwell) Module or Large Basket (Basket) Module.

Example: The Left-hand (LH) unit has the Cabinet positioned on the left side of the Bagwell or Basket.

Prerequisite

The following kits should be ordered together to complete the Large Basket (Basket) Module:

- 7358-K580/K583/K584 Large Basket Corner Module (Corner Bagwell)
- 7358-K589/K590/K591 Large Basket Angled Module (V-Bagwell)

Kit Contents

Depending on the color variant of the Corner Bagwell, refer to the following sections for information about kit contents:

- [7358-K580 Corner Bagwell Module \(NCR Dark White\)](#) on the facing page.
- [7358-K583 Corner Bagwell Module \(Walmart Light Blue\)](#) on page 5.
- [7358-K584 Corner Bagwell Module \(Walmart Medium Gray\)](#) on page 7

Shipping Dimension and Weight

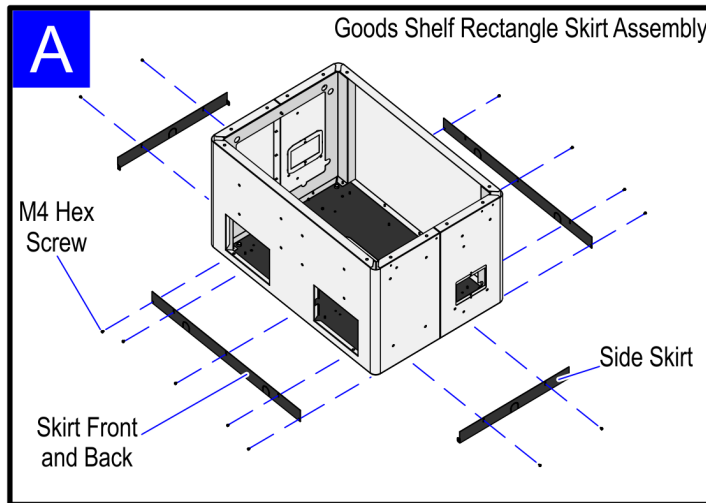
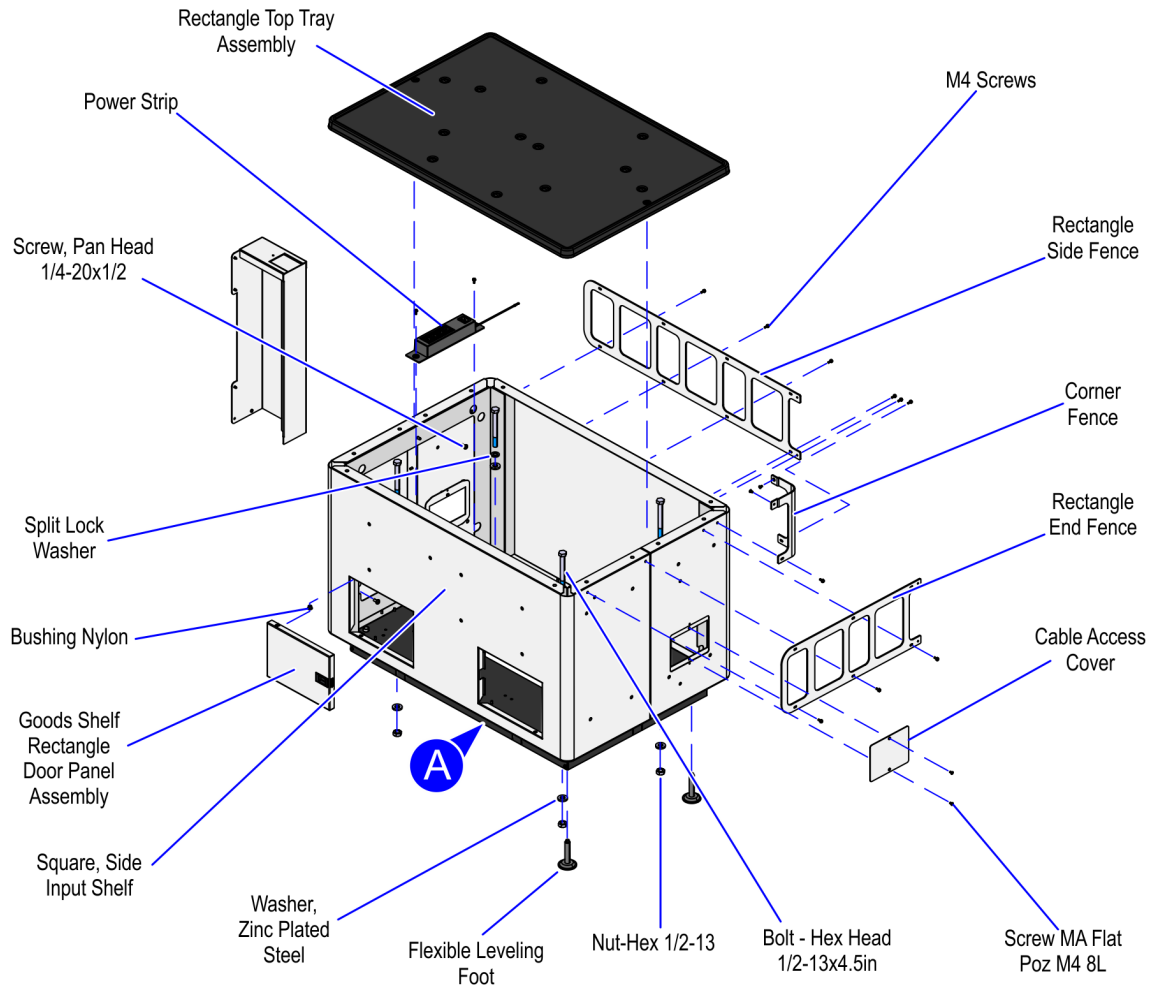
This section shows the approximate dimension and weight for the Corner Bagwell.



Note: These values are for reference only.

Shipping Dimension			Shipping Weight	
Height	Length	Width	Pounds (lbs)	Kilograms (kgs)
965.2 mm (38 in)	1219.2 mm (48 in)	1016 mm (40 in)	200 lbs	90.7 kgs

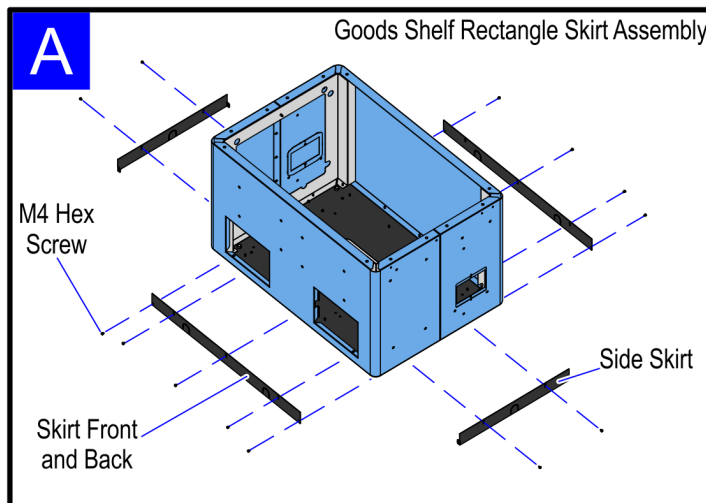
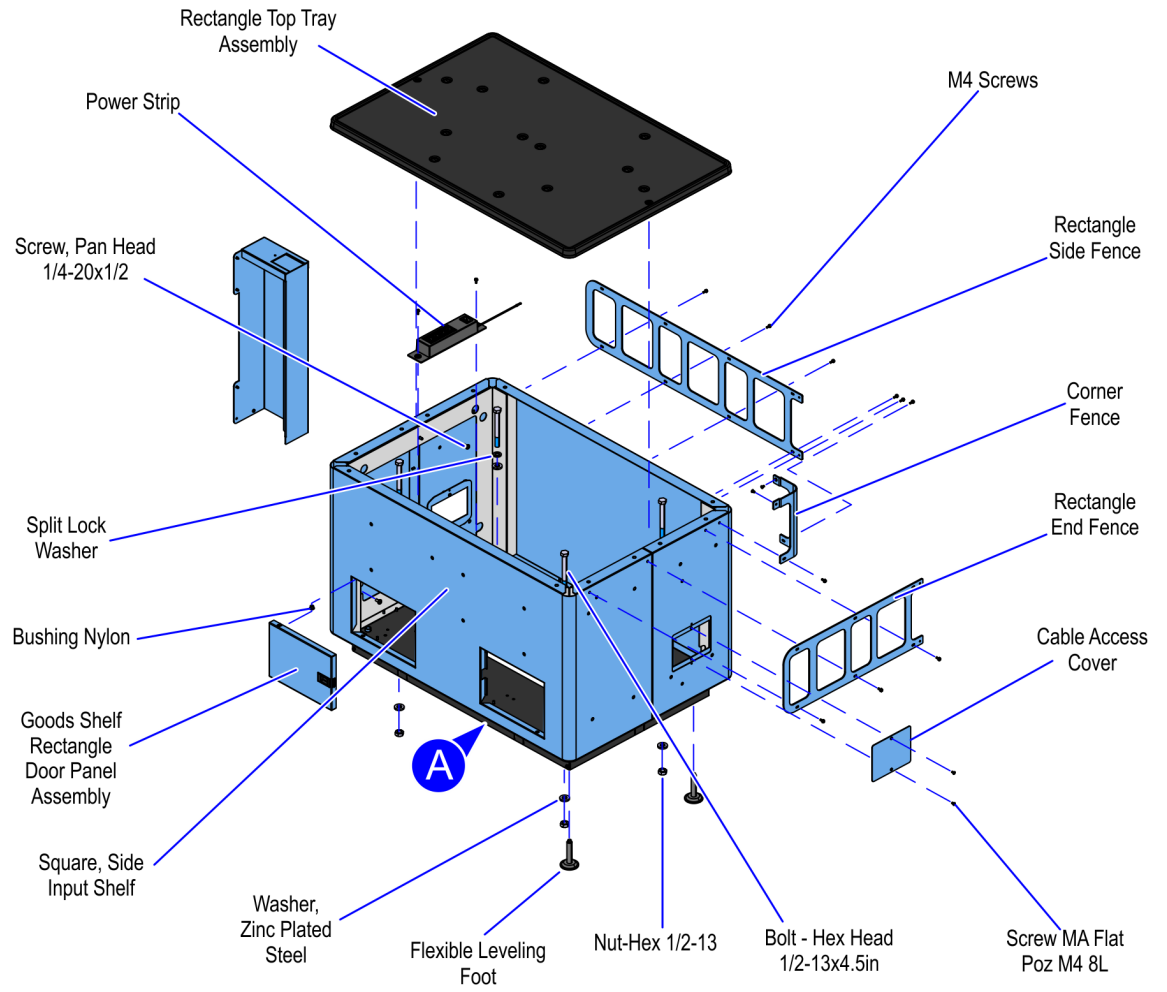
7358-K580 Corner Bagwell Module (NCR Dark White)



Part Numbers	Description
497-0527589	Kit - Large Basket Corner Module (NCR Dark White)
006-8627719	Split Lock Washer, Zinc-Plated Steel, ½ in Screw Size (4 pcs)
006-8611505	Bushing, Nylon
006-8627720	Washer, Zinc-Plated Steel, ½ in Screw Size (8 pcs)
006-8612443	Flexible Leveling Foot - 2 in Dia. (5/16 in Hex x 3.25 in Length) (2 pcs)
795-0279431	Assembly - Power Pole Cover (NCR Dark White)
007-7022121	Screw MA Flat Poz M4 8L (4 pcs)
006-8604541	Screw, ¼-20 x ½, Pan Head, Phillips (4 pcs)
009-0006593	Screws M4 x 10 (13 pcs)
009-0006593	Screws M4 x 10 (14 pcs)
006-8625423	Bolt - Hex Head, ½-13 x 4.50 in, With Nylon Patch (4 pcs)
497-0421485	Power Strip, 1ec 4-Pos, Plastic Case
795-0284831	Walmart, Goods Shelf, Rectangle Module (NCR Dark White)
497-0524419	Goods Shelf, Rectangle, Skirt Assy
795-0269931	Bagwell Cable Access Cover (NCR Dark White)
497-0524421	Skirt Front and Back (2 pcs)
795-0275231	Corner Fence (NCR Dark White)
497-0524422	Side Skirt (2 pcs)
795-0275331	Rectangle Side Fence (NCR Dark White)
795-0274731	Square, Side Input Shelf (NCR Dark White)
795-0275031	Goods Shelf, Rectangle, Door Panel Assy (NCR Dark White)
497-0527183	Rectangle, Top Tray Assembly
795-0275431	Rectangle End Fence (NCR Dark White)
795-0281601	Hole Cover Label - (NCR Dark White)
006-8611539	Nut- Hex, 1/2-13, .427-.448 Thick (4 pcs)
* 497-0423108	Instructions - Kit (Reference Sheet)

* Items marked with an asterisk are not called out on the image.

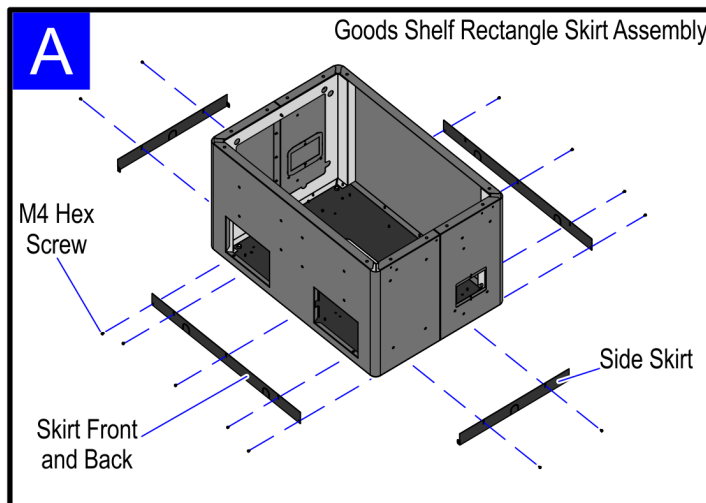
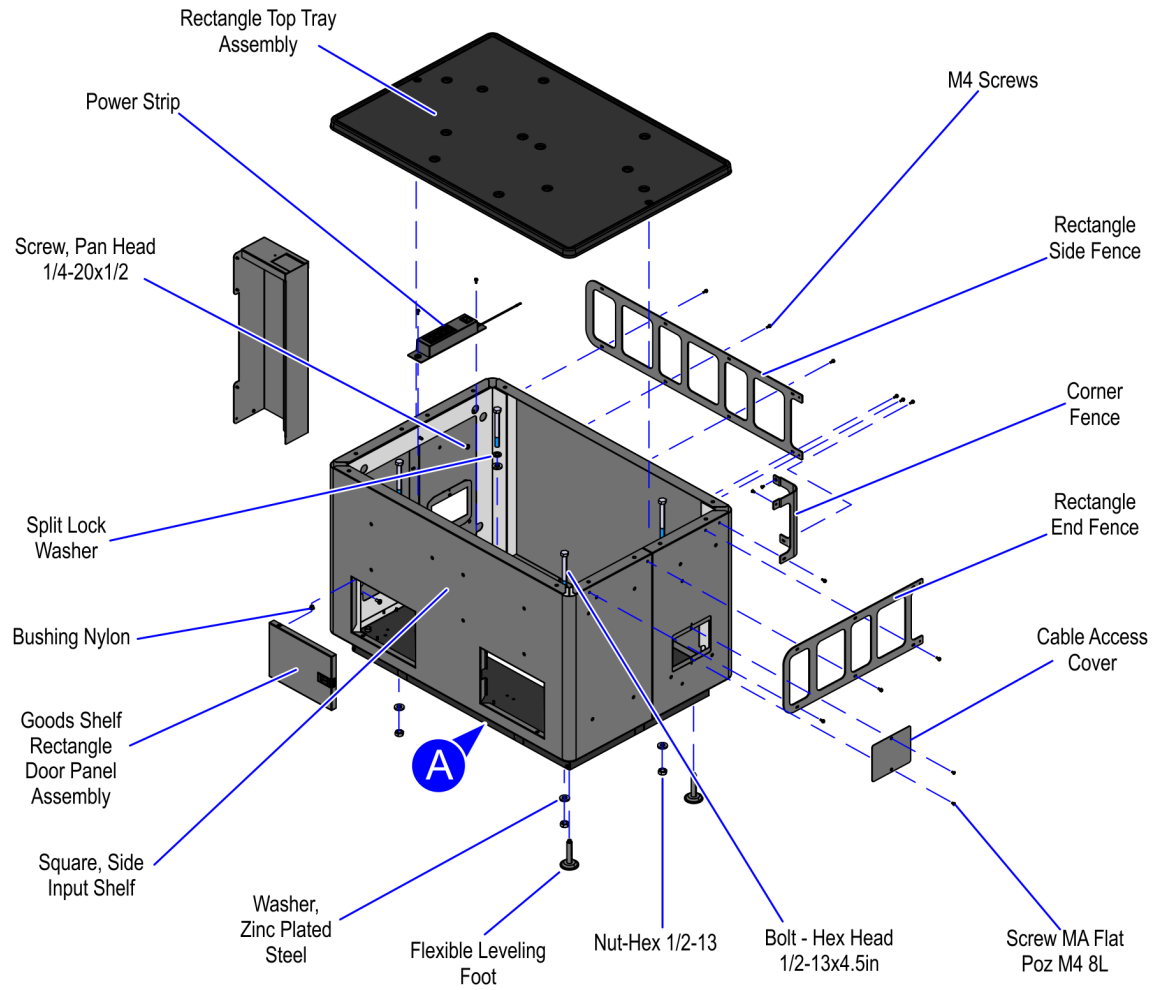
7358-K583 Corner Bagwell Module (Walmart Light Blue)



Part Number	Description
497-0527590	Kit - Large Basket Corner Module (Walmart Light Blue)
006-8627719	Split Lock Washer, Zinc-Plated Steel, ½ in Screw Size (4 pcs)
006-8627720	Washer, Zinc-Plated Steel, ½ in Screw Size (8 pcs)
006-8612443	Flexible Leveling Foot - 2 in Dia. (5/16 in Hex x 3.25 in Length) (2 pcs)
* 795-0281612	Hole Cover Label - (Walmart Light Blue)
795-0275412	Rectangle End Fence (Walmart Light Blue)
006-8604541	Screw, ¼-20 x ½, Pan Head, Phillips (4 pcs)
795-0275012	Goods Shelf, Rectangle, Door Panel Assy (Walmart Light Blue)
006-8625423	Bolt - Hex Head, ½-13 x 4.5 in, With Nylon Patch (4 pcs)
795-0275212	Corner Fence (Walmart Light Blue)
795-0284812	Walmart, Goods Shelf, Rectangle Module (Walmart Light Blue)
795-0274712	Square, Side Input Shelf (Walmart Light Blue)
795-0275312	Rectangle Side Fence (Walmart Light Blue)
795-0269912	Bagwell Cable Access Cover (Walmart Light Blue)
007-7022121	Screw MA Flat Poz M4 8L (4 pcs)
009-0006593	Screws M4 x 10 (13 pcs)
009-0006593	Screws M4 x 10 (14 pcs)
006-8611505	Bushing, Nylon
497-0421485	Power Strip, 1ec 4-Pos, Plastic Case
497-0524419	Goods Shelf, Rectangle, Skirt Assy
497-0524421	Skirt Front And Back (2 pcs)
497-0524422	Side Skirt (2 pcs)
497-0527183	Rectangle, Top Tray Assembly
795-0279412	Assembly - Power Pole Cover (Walmart Light Blue)
006-8611539	Nut- Hex, ½-13, 0.427 - 0.448 Thick (4 pcs)
* 497-0423108	Instructions - Kit (Reference Sheet)

* Items marked with an asterisk are not called out on the image.

7358-K584 Corner Bagwell Module (Walmart Medium Gray)



Part Number	Description
497-0527591	Kit - Large Basket Corner Module (Walmart Medium Gray)
006-8627719	Split Lock Washer, Zinc-Plated Steel, ½ in Screw Size (4 pcs)
006-8627720	Washer, Zinc-Plated Steel, ½ in Screw Size (8 pcs)
006-8612443	Flexible Leveling Foot - 2 in Dia. (5/16 in Hex x 3.25 in Length) (2 pcs)
795-0284828	Walmart, Goods Shelf, Rectangle Module (Walmart Medium Gray)
795-0275228	Corner Fence (Wm Medium Gray)
795-0275428	Rectangle End Fence (Walmart Medium Gray)
007-7022121	Screw MA Flat Poz M4 8L (4 pcs)
009-0006593	Screws M4 X 10 (13 Pcs)
009-0006593	Screws M4 x 10 (14 pcs)
006-8611505	Bushing, Nylon
795-0269928	Bagwell Cable Access Cover (Wm Medium Gray)
795-0274728	Square, Side Input Shelf (Walmart Medium Gray)
497-0527183	Rectangle, Top Tray Assembly
795-0275328	Rectangle Side Fence (Walmart Medium Gray)
795-0275028	Goods Shelf, Rectangle, Door Panel Assy (Walmart Medium Gray)
497-0421485	Power Strip, 1ec 4-Pos, Plastic Case
497-0524419	Goods Shelf, Rectangle, Skirt Assy
497-0524421	Skirt Front And Back (2 pcs)
497-0524422	Side Skirt (2 pcs)
006-8604541	Screw, ¼-20 x ½, Pan Head, Phillips (4 pcs)
795-0279428	Assembly - Power Pole Cover (Walmart Medium Gray)
795-0281628	Hole Cover Label - (Light Royal Gray)
006-8611539	Nut- Hex, ½-13, 0.427-0.448 Thick (4 pcs)
006-8625423	Bolt - Hex Head, ½-13 x 4.5 in, With Nylon Patch (4 pcs)
* 497-0423108	Instructions - Kit (Reference Sheet)

* Items marked with an asterisk are not called out on the image.

Installation Procedures

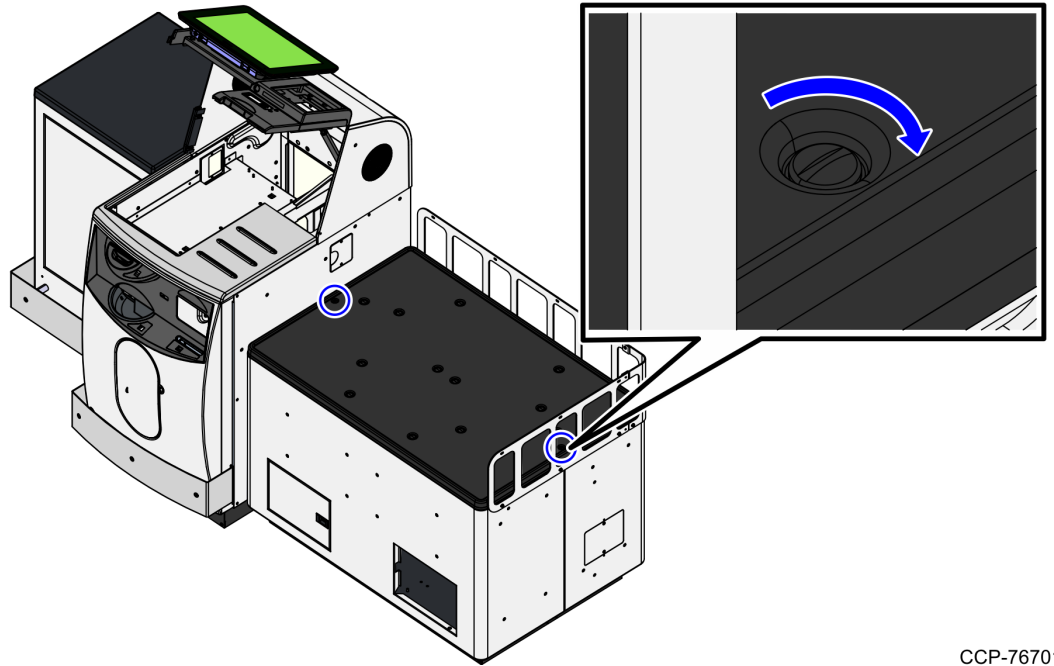
Installing the Corner Bagwell involves the following procedures:

1. Change the Corner Bagwell orientation, if necessary. For more information, refer to [Changing Corner Bagwell Orientation](#) on page 29.
2. Install the Skirt Panels. For more information, refer to [Installing Skirt Panels](#) on page 11.
3. Install the Corner Bagwell to the SelfServ Checkout unit. For more information, refer to [Installing Corner Bagwell](#) on page 13.
4. Install the Power Strip in the Corner Bagwell. For more information, refer to [Installing Power Strip in the Corner Bagwell](#) on page 17.
5. Do the following:
 - a. Route the cables to the Power Pole. For more information, refer to [Routing Cables to Power Pole](#) on page 18.
 - b. Install the Power Pole Cover Assembly, if necessary. For more information, refer to [Installing Power Pole Cover Assembly](#) on page 20.
6. Do all of the following in any order:
 - Install the Fences. For more information, refer to [Installing Fences](#) on page 22.
 - Install the Hole Label Covers on the Bagwells. For more information, refer to [Installing Hole Label Covers](#) on page 26.
 - Install the Bag Racks. For more information, refer to [Installing Bag Racks](#) on page 27.



Note: The Large Basket Corner Module can hold up to two (2) bag racks (497-0509740) that are ordered separately. To order bag racks, contact an NCR Customer Service Representative.

7. Do the following:
 - a. Install the top cover tray to close the Corner Bagwell.
 - b. Push and turn the Service screws clockwise to lock the top cover trays in place, as shown in the image below.



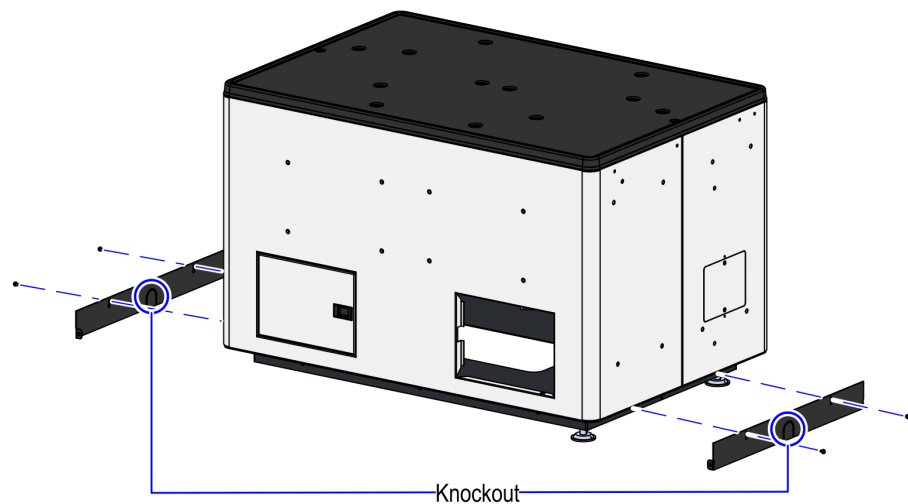
CCP-76701

8. Install the Large Basket Angled Module (V-Bagwell) to the Corner Bagwell. For more information, refer to *7358-K589/K590/K591: Large Basket Angled Module Kit Instructions*.

Installing Skirt Panels

To install the Corner Bagwell Skirt Panels, follow these steps:

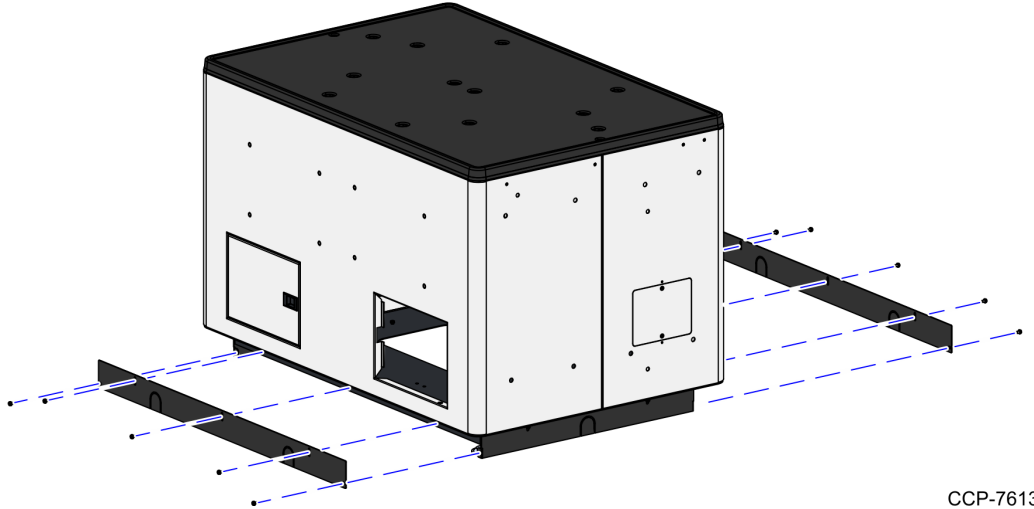
1. Install the side skirt panels by doing the following:
 - a. Each side skirt panel includes a knockout. This knockout should be removed for the cables to pass through from the Corner Bagwell to the SelfServ Checkout unit. Depending on the Bagwell orientation, remove the knockout from the side skirt panel that is to be installed to the core side of the Bagwell by using mechanical pliers.
 - b. Attach each skirt panel to the corresponding skirt brackets by aligning the open slots in the skirt panel with the screw holes in the skirt bracket.



CCP-76136

- c. Secure each skirt panel to the bracket using two (2) screws.
- d. Adjust the skirt panel so that it is flush with the floor.
- e. Tighten the screws to secure the skirt in place.

2. Install the front and back skirt panels by doing the following:
 - a. Attach the skirt panel to the skirt brackets by aligning the open slots in the skirt panel with the screw holes in the bracket.



CCP-76137

- b. Secure each skirt panel to the bracket using five (5) screws.
 - c. Adjust the skirt panel so that it is flush with the floor.
 - d. Tighten the screws to secure the Skirt Panel in place.

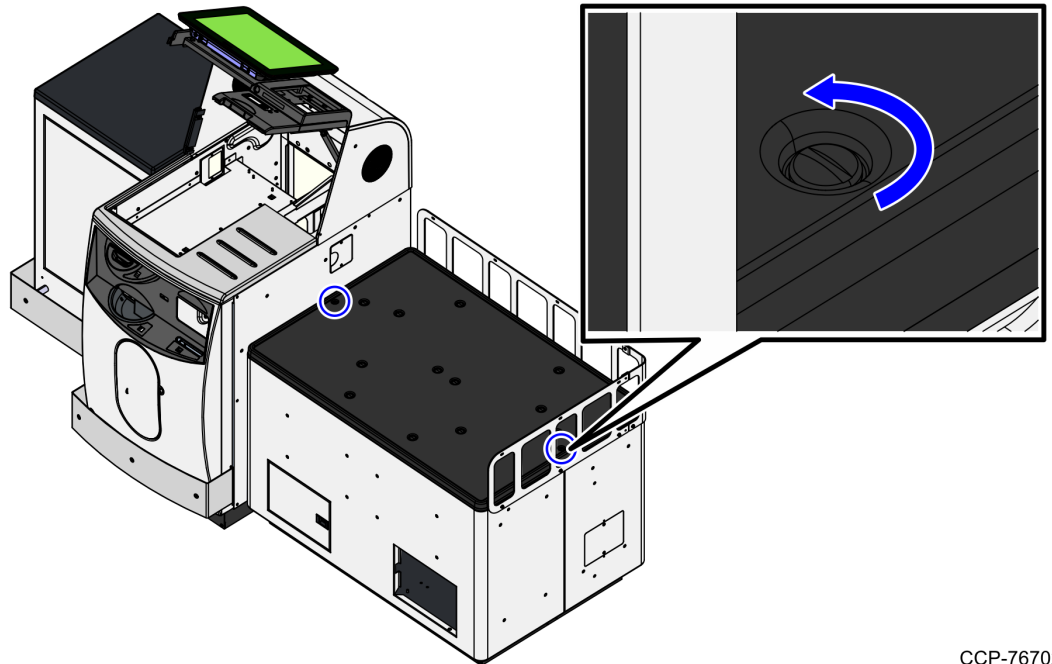
Installing Corner Bagwell

To install the Corner Bagwell, follow these steps:



Note: For the purpose of illustration only, this procedure shows images using Left-hand (LH) orientation.

1. Do the following:
 - a. On both sides of the top cover tray, turn the Service screw counterclockwise to unlock the tray from the Corner Bagwell.

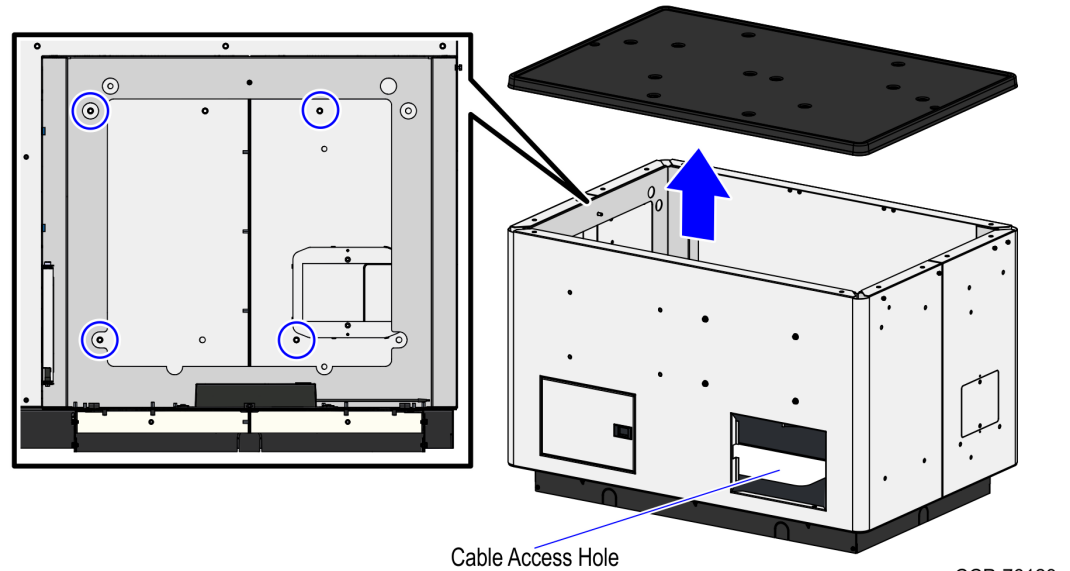


CCP-76702

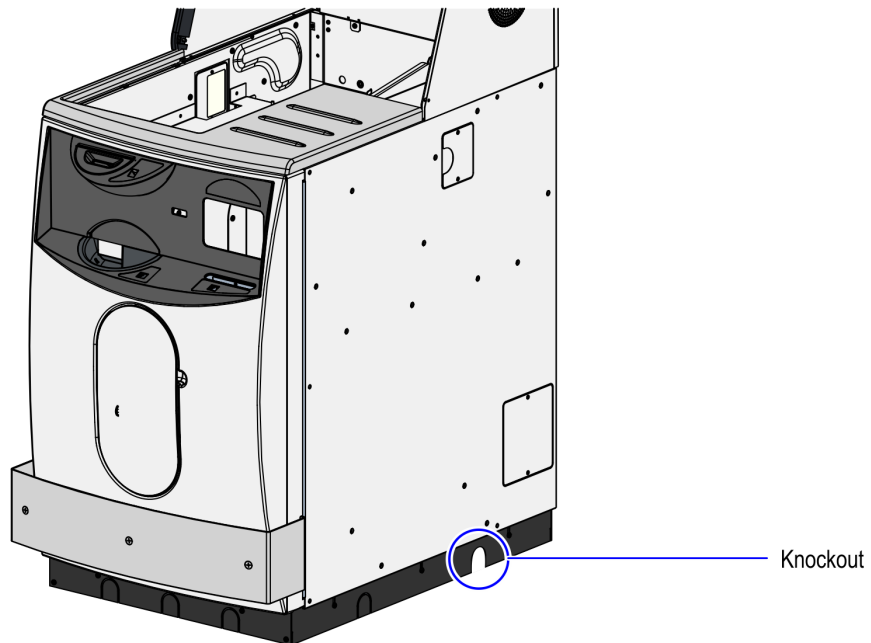
- b. Remove the top cover of the Corner Bagwell to access the mounting holes, as shown in the image below.



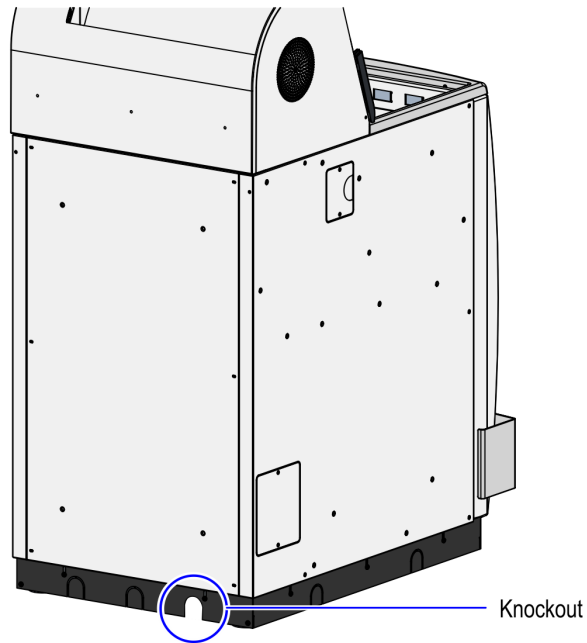
Note: Depending on the orientation of the SelfServ Checkout, one of the access doors and cable access holes are opened by default.



2. Depending on the orientation of the SelfServ Checkout, do the following:
 - a. Remove the side core skirt knockout.

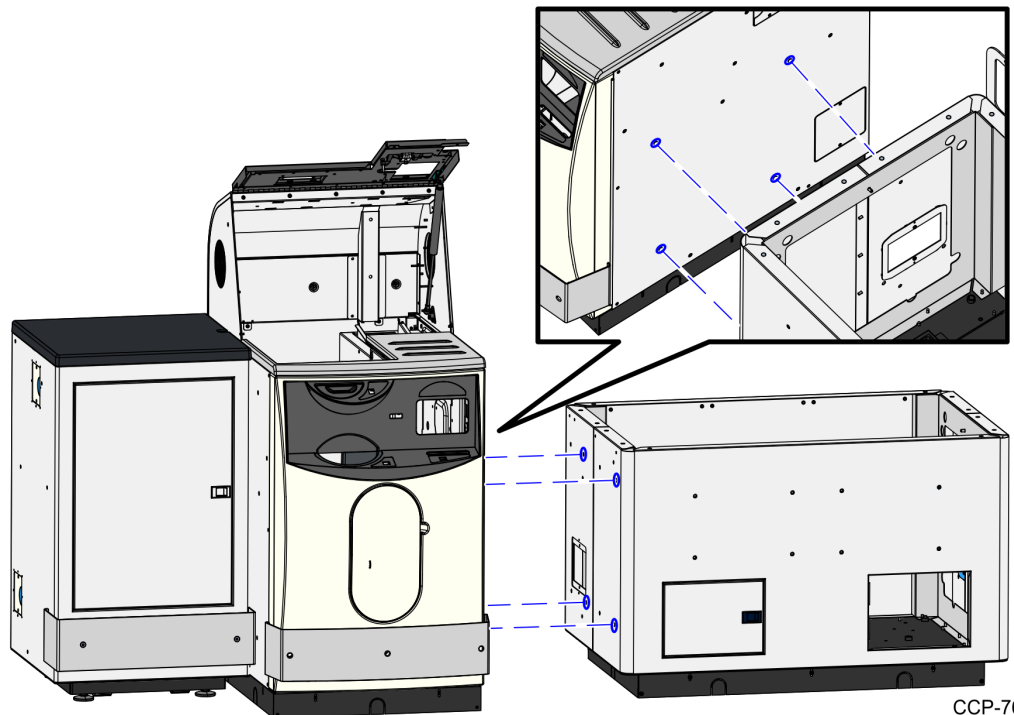


- b. Remove the back core skirt knockout near the Power Pole, as shown in the image below.



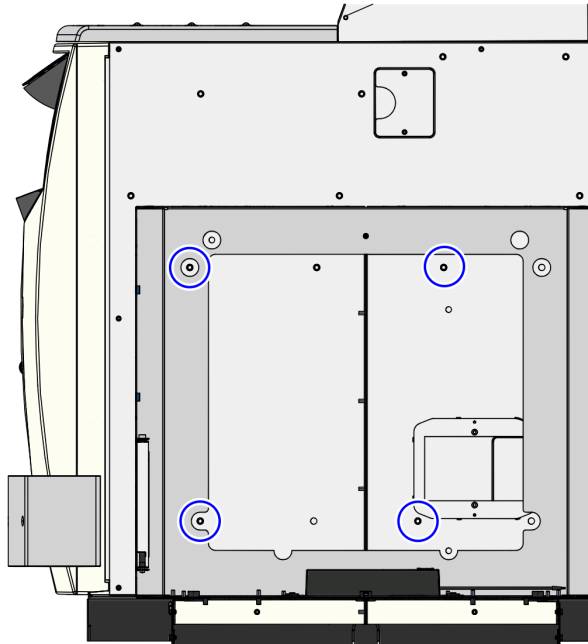
CCP-78064

- 3. Align the screw slots of the Corner Bagwell to the corresponding holes on the SelfServ Checkout unit.



CCP-76124

- Using four (4) Phillips pan head screws, secure the Corner Bagwell to the SelfServ Checkout Core Cabinet, as shown in the image below.



CCP-76125

To install the Power Strip on the Bagwell floor, refer to [Installing Power Strip in the Corner Bagwell](#) on the facing page.

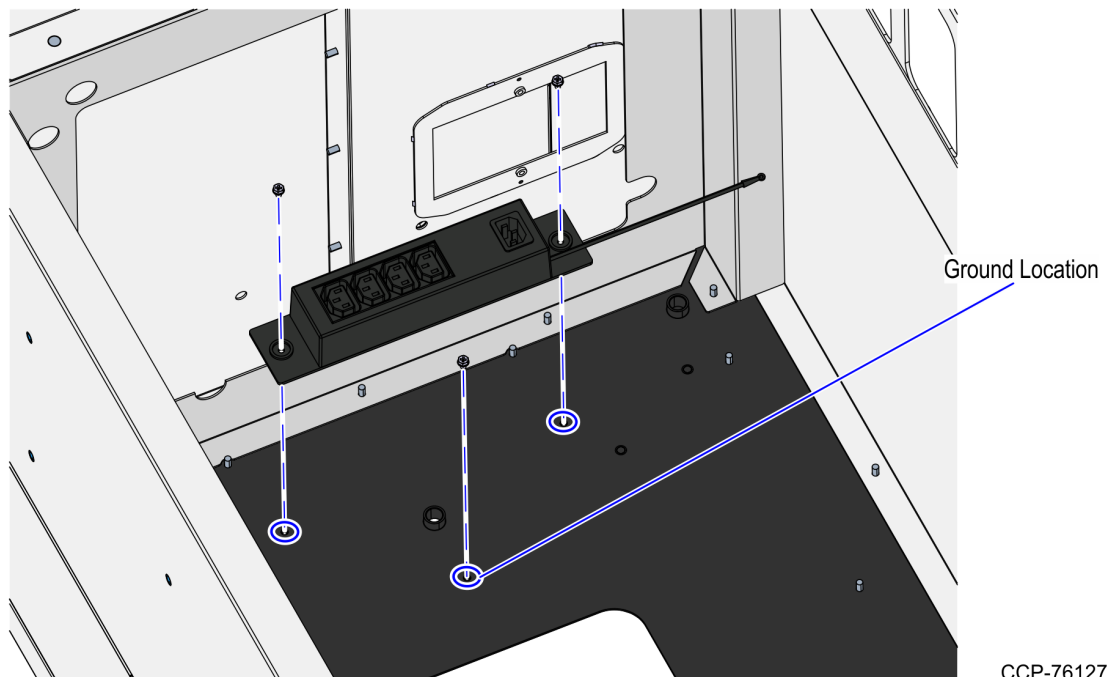
Installing Power Strip in the Corner Bagwell

To install the Power Strip inside the Corner Bagwell, follow these steps:

1. Remove the top cover tray of the Corner Bagwell, if necessary.
2. Position the Power Strip so that its mounting holes are aligned to the corresponding holes on the Bagwell floor, as shown in the image below.



Note: Both sides of the Bagwell have mounting holes. Depending on the orientation of the Bagwell, ensure that the Power Strip is positioned at the core side of the Bagwell.



3. Secure the Power Strip on the Bagwell floor using two (2) screws and one screw for the grounding cable.
4. Do the following:
 - a. From the SelfServ Checkout unit, route and plug the Power Cable to the Power Strip.
 - b. Plug the AC Power Cable to the Power Strip.

Routing Cables to Power Pole

To route cables from the Core Cabinet to the Power Pole, follow these steps:

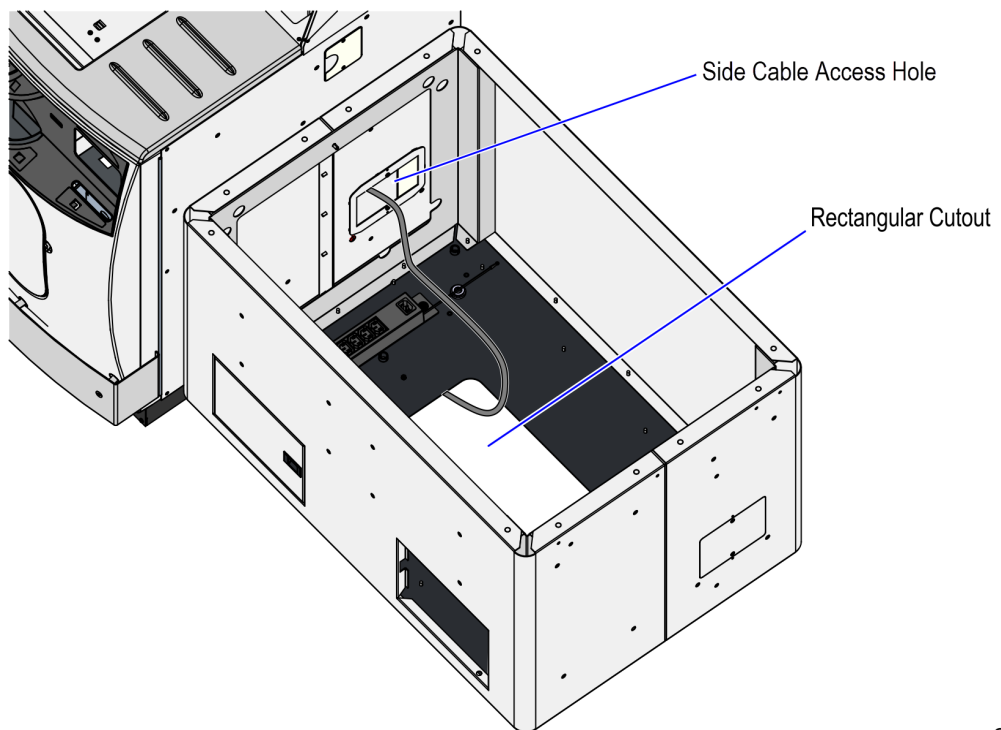


Note: For the purpose of illustration only, this procedure shows images using a Left-hand (LH) orientation unit.

1. Bundle all cables going to the Power Pole using cable ties.
2. Route the cables to the Corner Bagwell through the side cable access hole.
3. Route the cables down to the floor through the large rectangular cutout in the Corner Bagwell floor, as shown in the image below.



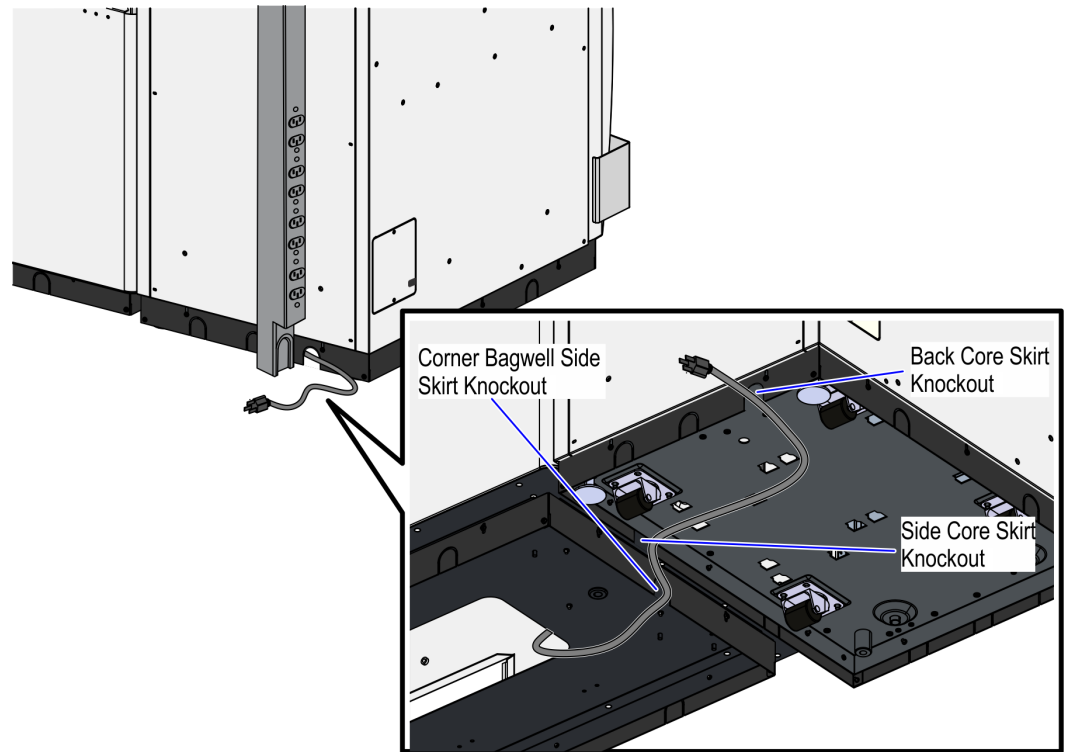
Note: For the purpose of illustration only, the image below shows one (1) cable only.



4. Do the following:
 - a. Route the cables through the Bagwell and Core Cabinet Side Skirt knockouts.
 - b. Route the cables out through the back core skirt knockout near the Power Pole, as shown in the image below.



Note: For the purpose of illustration only, the image below shows one (1) cable only.



CCP-78054

5. Connect the cables to the Power Pole.

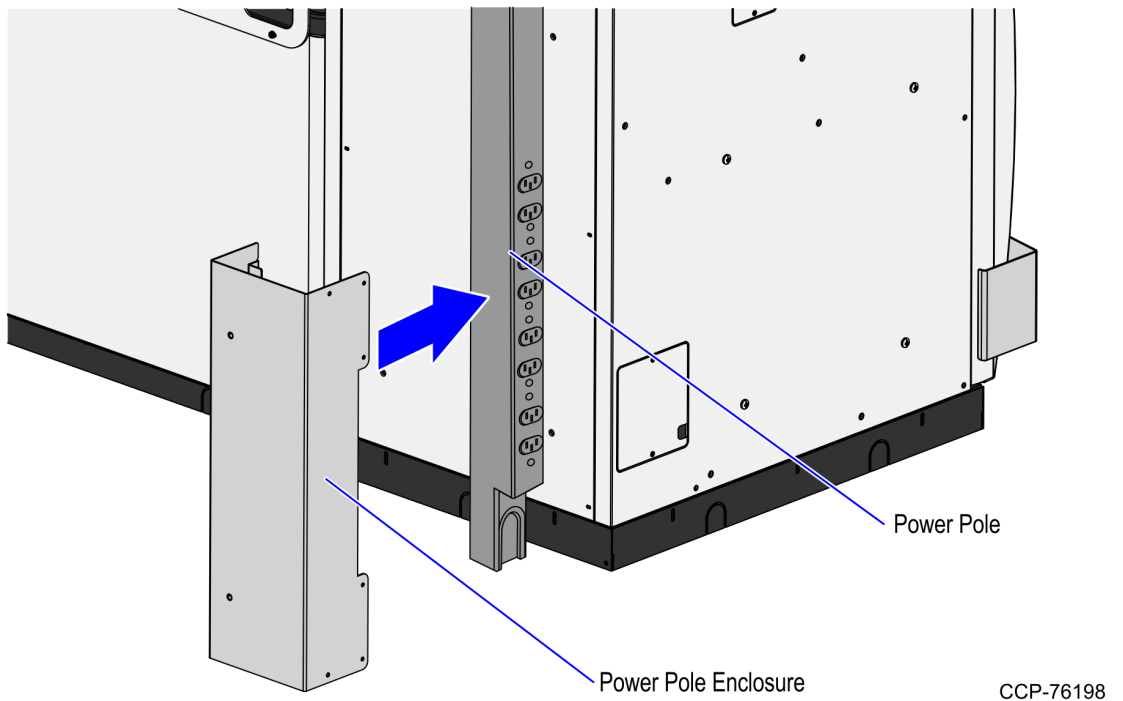
Installing Power Pole Cover Assembly

To install the Power Pole Cover Assembly, follow these steps:



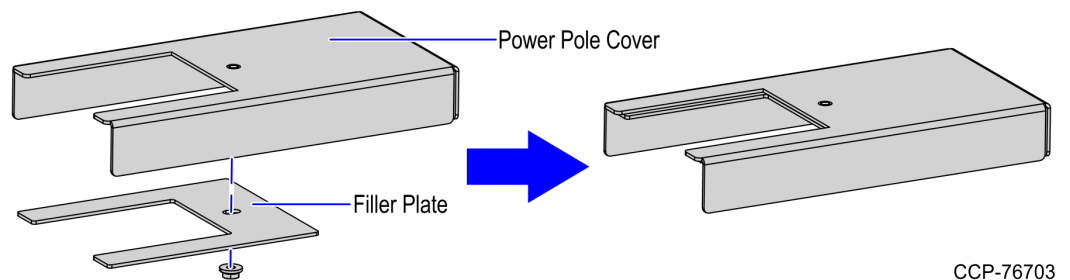
Note: For the purpose of illustration only, this procedure shows images using Left-hand (LH) orientation.

1. Position the Power Pole Enclosure at the back of the SelfServ Checkout unit, as shown in the image below.

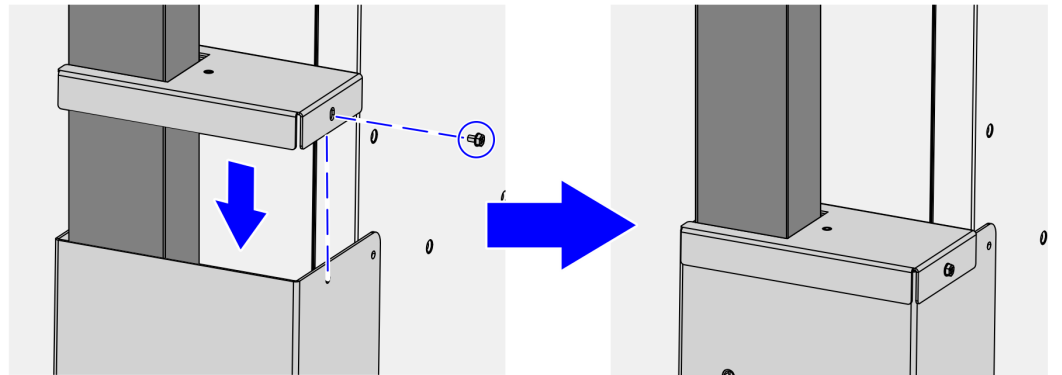


2. Do the following:

- a. Secure the filler plate to the Power Pole Cover using a nut.



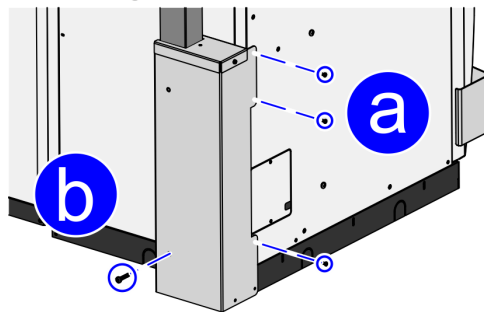
- b. Mount the Power Pole Cover on the Power Pole enclosure and then secure using a screw.



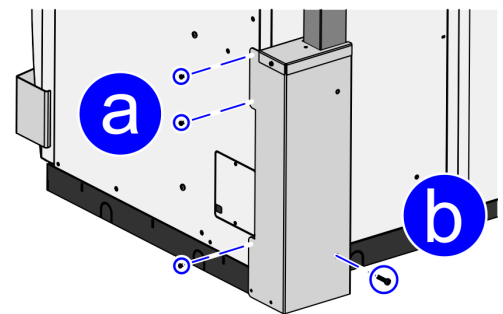
CCP-76704

3. Do the following:
 - a. Secure the Power Pole Enclosure on the SelfServ Checkout unit using three (3) self drilling screws.
 - b. Secure the Power Pole Enclosure to the Power Pole using a screw to hold the pole in place, as shown in the image below.

Left Configuration



Right Configuration

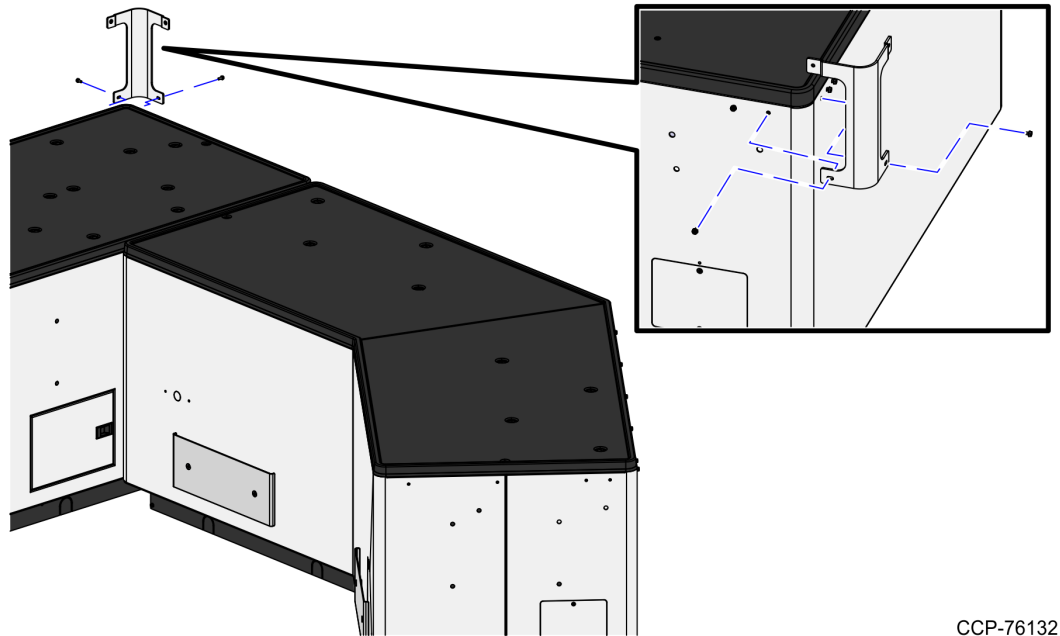


CCP-76706

Installing Fences

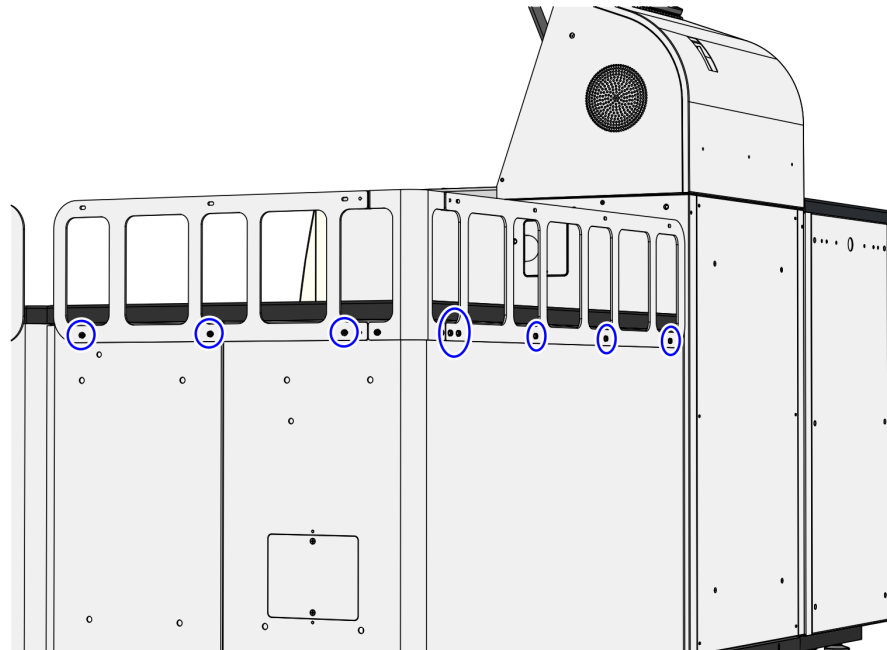
To install the fences, follow these steps:

1. Ensure that the Corner Bagwell and V-Bagwell are installed. For more information, refer to the following kit instructions:
2. Install the fences on the Corner Bagwell by doing the following:
 - a. Secure the corner fence on the Bagwell using two (2) screws, as shown in the image below.



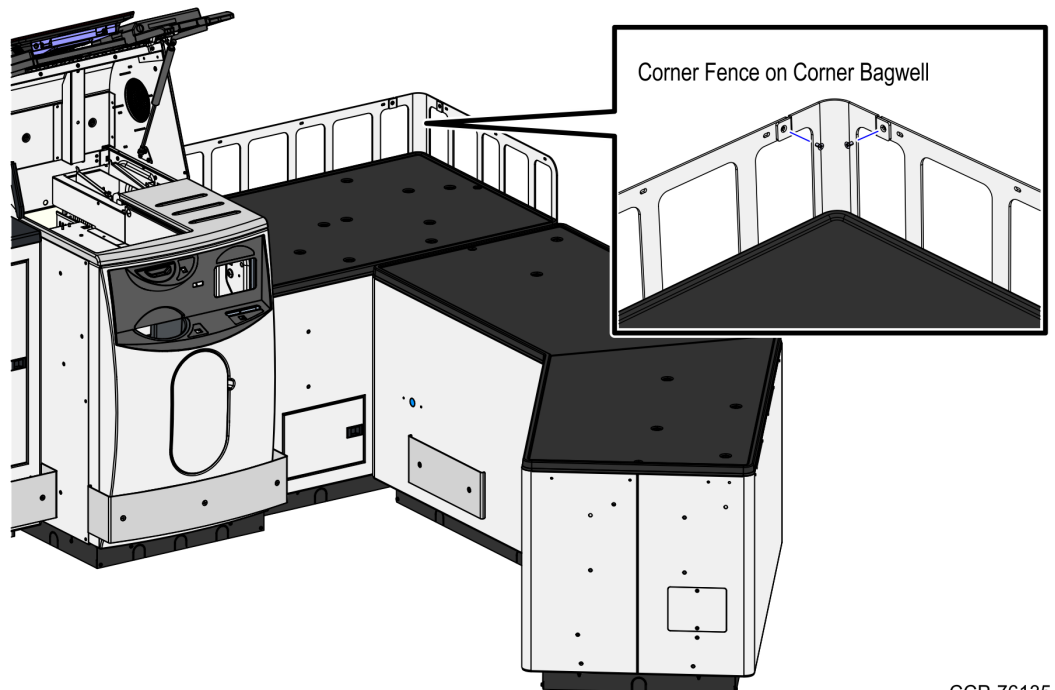
CCP-76132

- b. Secure the side fences on the Corner Bagwell using seven (7) screws, as shown in the image below.



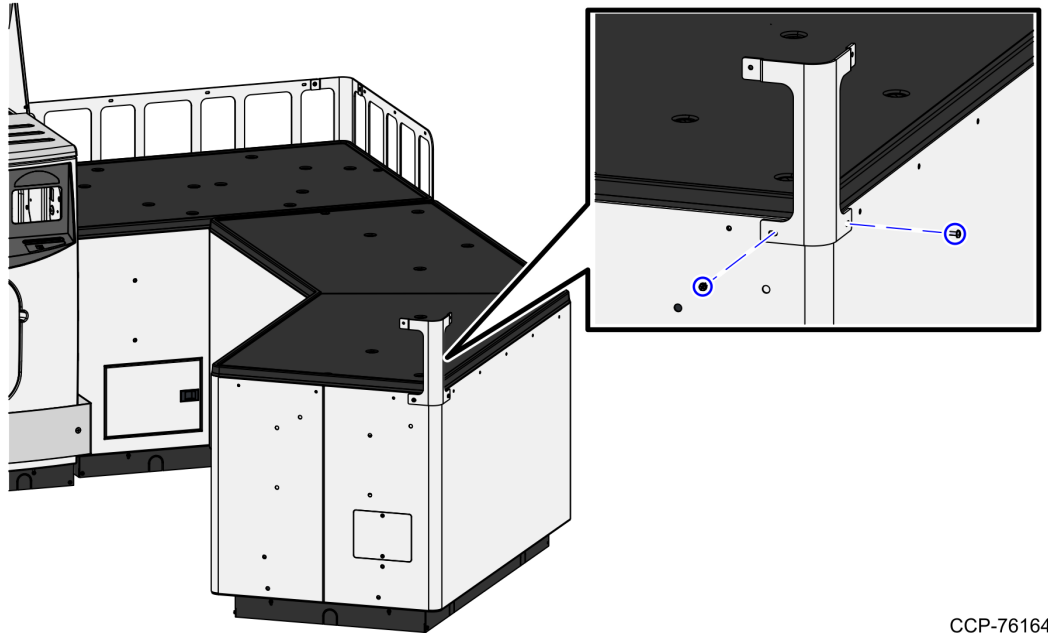
CCP-76133

- c. Secure each side fence to the corner fence, as shown in the image below.



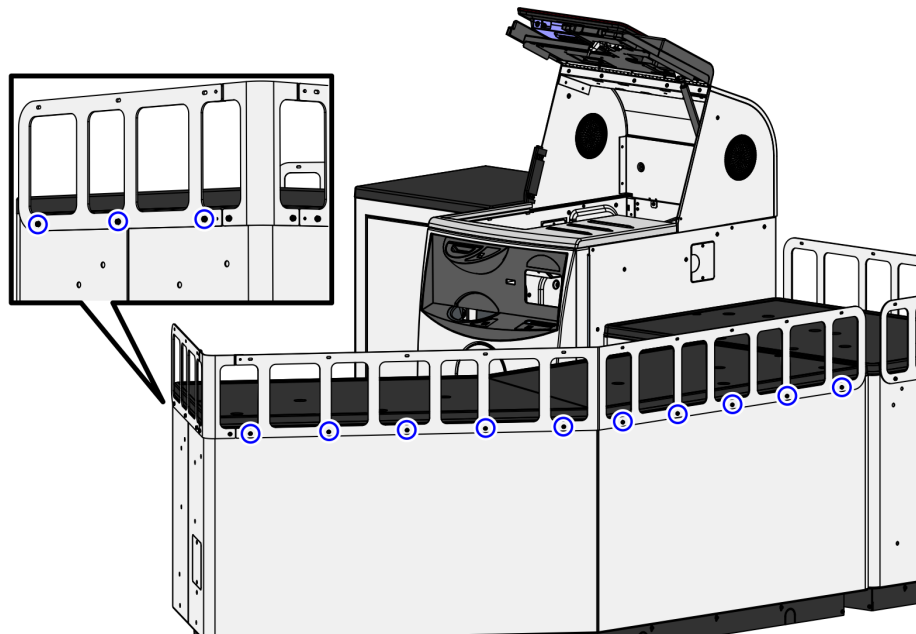
CCP-76135

3. Install the fences on the V-Bagwell by doing the following:
 - a. Secure the corner fence using two (2) screws, as shown in the image below.



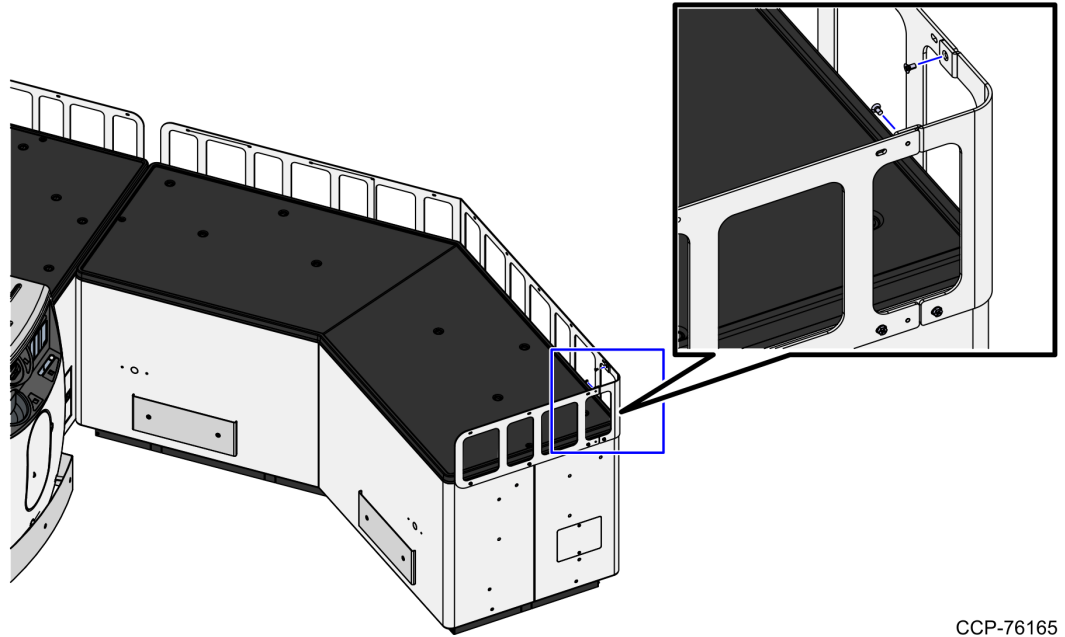
CCP-76164

- b. Secure the side fences on the V-Bagwell using screws, as shown in the image below.



CCP-76134

- c. Secure each side fence to the corner fence, as shown in the image below.



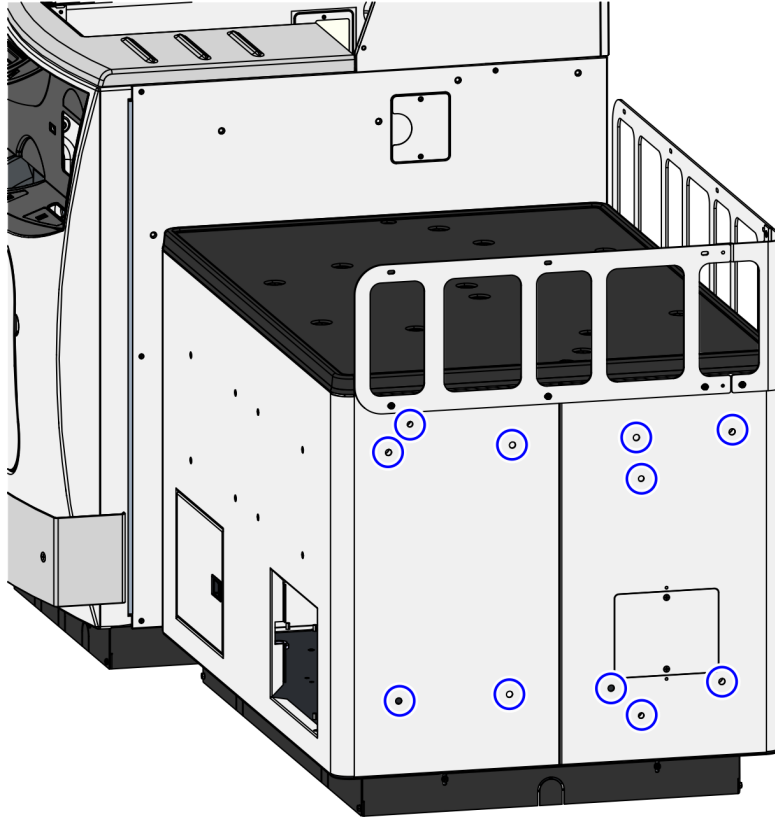
CCP-76165

Installing Hole Label Covers

Attach the hole label covers on the areas shown in the image below.



Note: For the purpose of illustration only, the image below shows a unit with Left-hand (LH) orientation.



CCP-76148

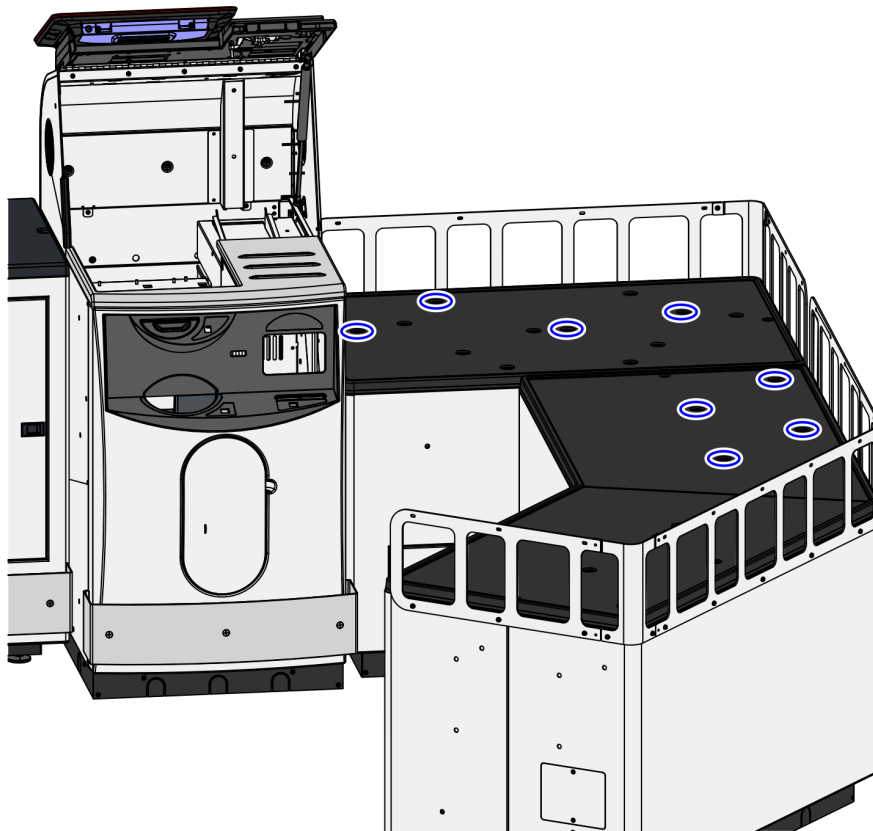
Installing Bag Racks

To install the bag racks on the Bagwells, follow these steps:



Note: The Large Basket (Basket) Module can hold up to four (4) bag racks (497-0509740) that are ordered separately. To order bag racks, contact an NCR Customer Service Representative.

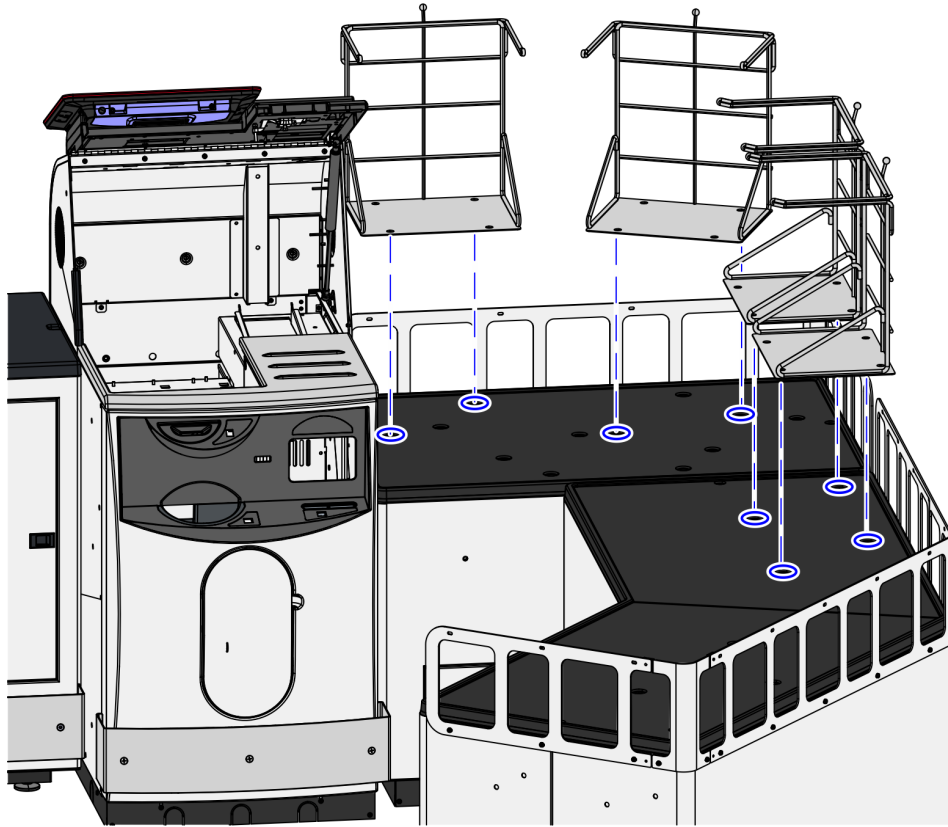
1. Ensure that the Corner Bagwell and V-Bagwell are installed. For more information, refer to the following:
2. Clean the top cover tray with alcohol or non-residue cleaner to remove any dust or dirt and then identify the specific location where to mount the bag racks.
3. Remove the hole plugs from the top cover tray.



- Secure each bag rack to the top cover tray using two (2) screws, as shown in the image below.



Note: Attach the screws on opposite corners.




CCP-76131

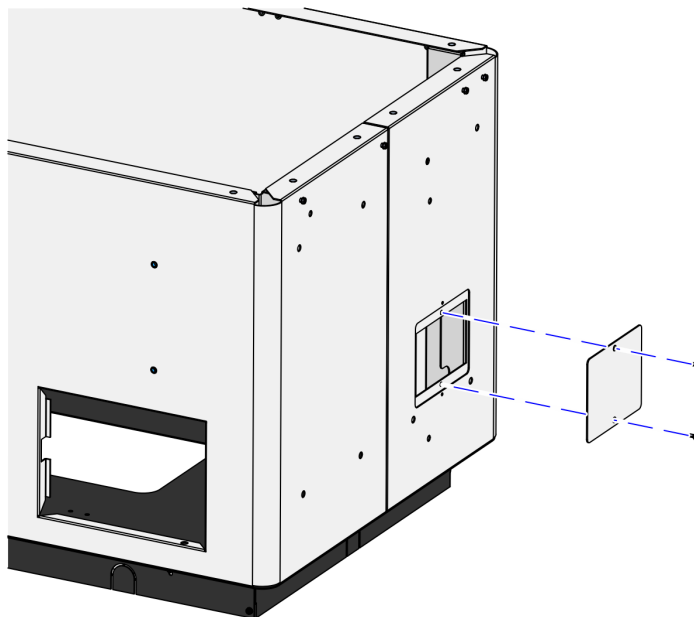
Changing Corner Bagwell Orientation

This procedure should be done before installing the Large Basket Corner Module (Corner Bagwell) to the SelfServ Checkout Core Cabinet. To change the orientation of the Corner Bagwell, follow these steps:

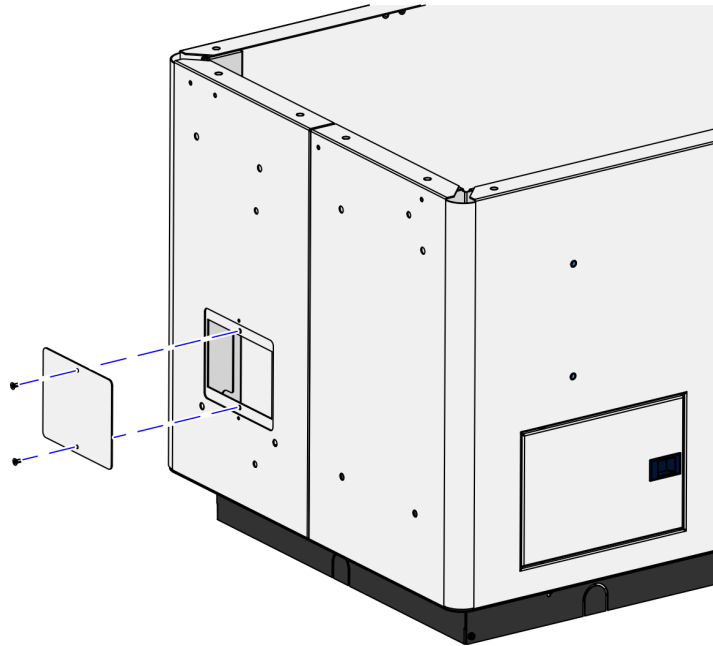


Note: For the purpose of illustration only, this procedure shows images using Left-hand (LH) orientation.

1. Do the following:
 - a. Remove the fences from the Large Basket (Basket) Module. For more information, refer to [Removing Fences](#) on page 33.
 - b. Remove the V-Bagwell. For more information, refer to *7358-K589/K590/K591 Large Basket Angled Module Kit Instructions* .
 -  **Note:** If the V-Bagwell is equipped with a Bottom-of-Basket (BoB) Camera, ensure that the camera cable is disconnected from the SelfServ Checkout unit. For more information about changing the orientation of the Bottom-of-Basket Camera, refer to *7358-K582 Bottom-of-Basket Camera Kit Instructions*.
 - c. Remove the Power Strip. For more information, refer to [Removing Power Strip from the Corner Bagwell](#) on page 37.
 - d. Remove the Corner Bagwell. For more information, refer to [Removing Corner Bagwell](#) on page 36.
2. Remove and install the blanking plate on the side cable access hole by doing the following:
 - a. Detach the blanking plate by removing two (2) screws.

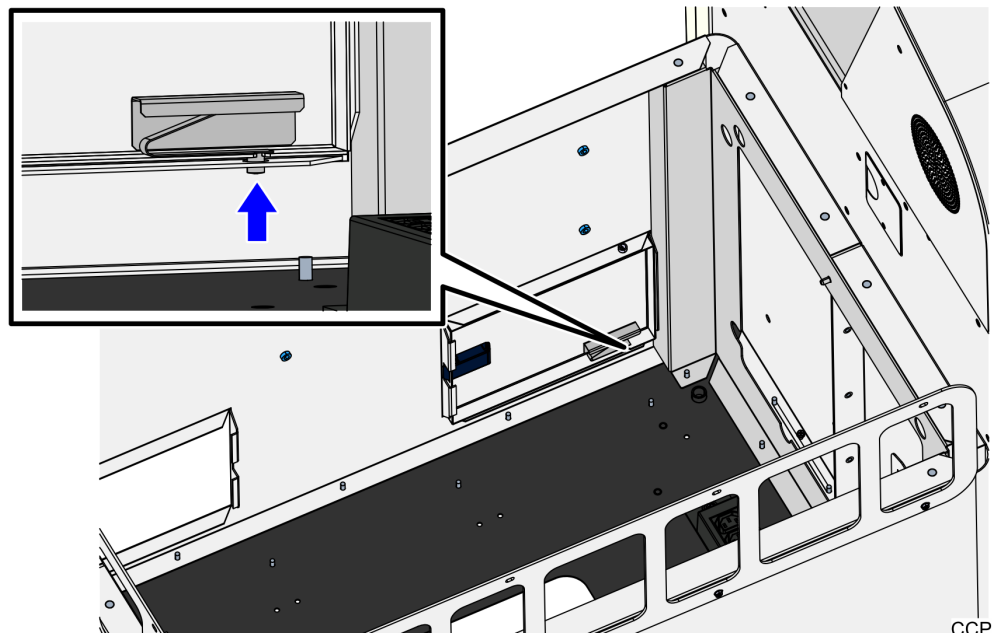


- b. Install the blanking plate to the side cable access hole on the opposite side of the Corner Bagwell using two (2) screws.



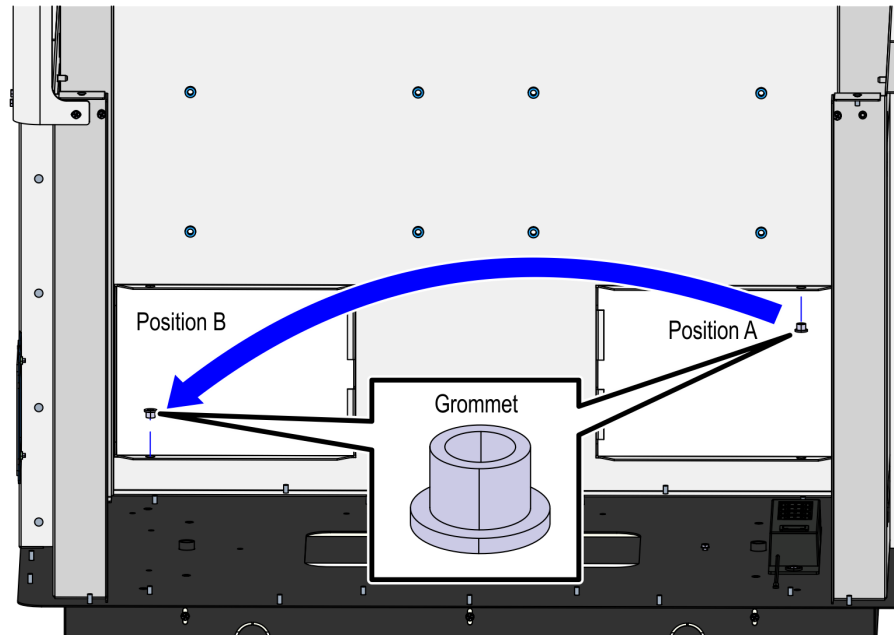
CCP-77282

3. Remove and install the access door panel on the Corner Bagwell by doing the following:
 - a. Press the spring hinge to remove the access door panel, as shown in the image below.



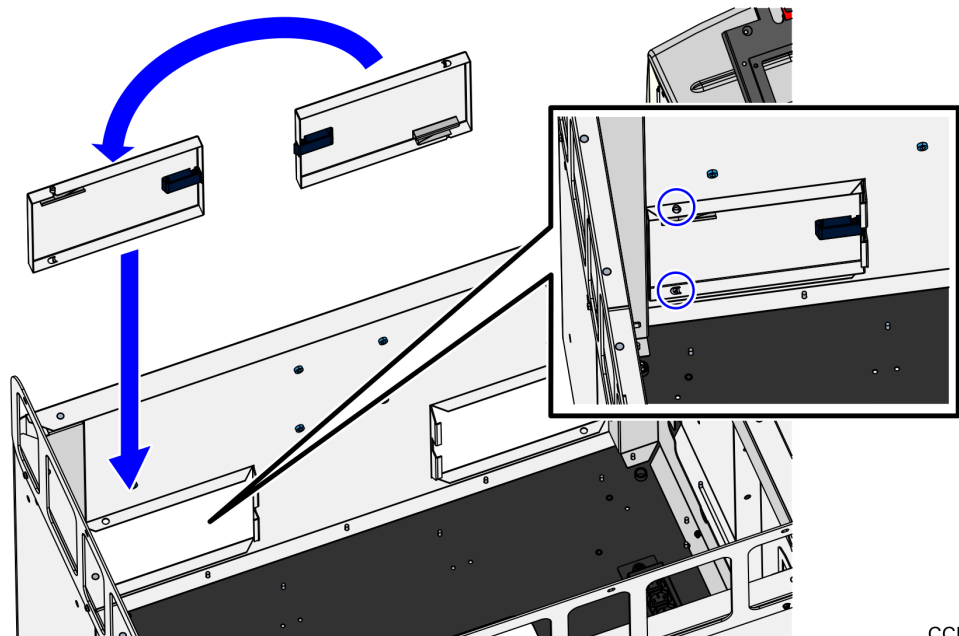
CCP-77283

- b. Remove the grommet from the access hole (A) and then insert it into the hinge slot of the adjacent access hole (B), as shown in the image below.




CCP-77284

- c. Rotate the access door panel sideways and then insert its hinges into the hinge slots, as shown in the image below.



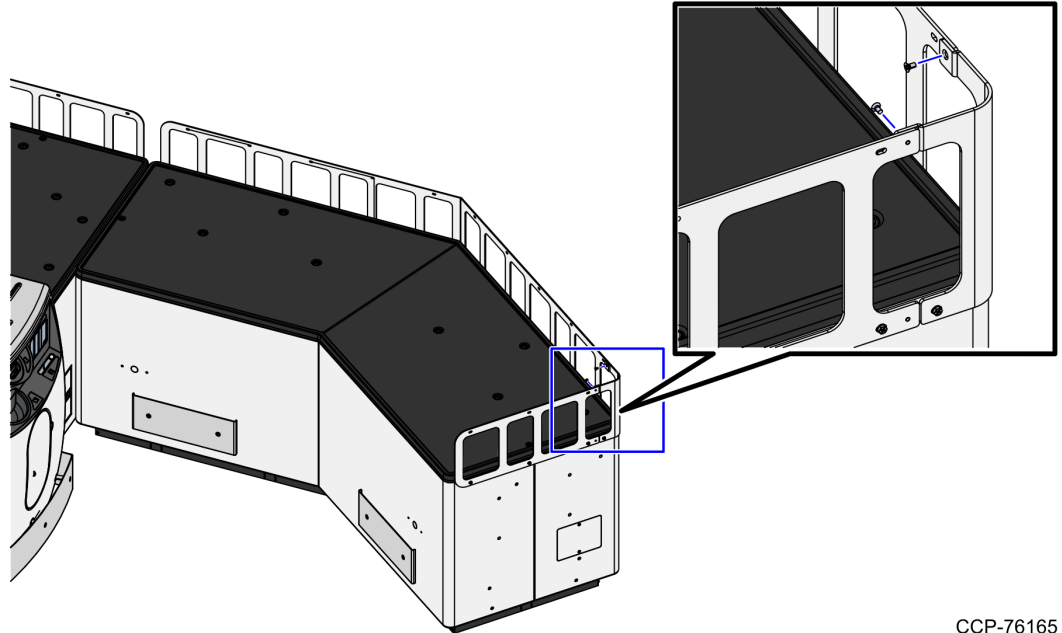
CCP-77285

4. Do the following:
 - a. Install the Corner Bagwell on the other side of the SelfServ Checkout unit. For more information, refer to [Installing Corner Bagwell](#) on page 13.
 - b. Install the Power Strip to the other side of the Bagwell floor. For more information, refer to [Installing Power Strip in the Corner Bagwell](#) on page 17.
 - c. Install the V-Bagwell. Ensure that the orientation of the V-Bagwell is in the same orientation of the Corner Bagwell. For more information, refer to *7358-K589/K590/K591 Large Basket Angled Module Kit Instructions*.
-  **Note:** If the V-Bagwell is equipped with a Bottom-of-Basket Camera, change the orientation of the camera. For more information, refer to *7358-K582 Bottom-of-Basket Camera Kit Instructions*.
5. Level the SelfServ Checkout and Large Basket (Basket) Module assembly. For more information, refer to the "Leveling SelfServ Checkout Unit" section of *NCR FastLane SelfServ™ Checkout (7358) R6L Plus Hardware Installation Guide (BCC5-0000-5263)*.

Removing Fences

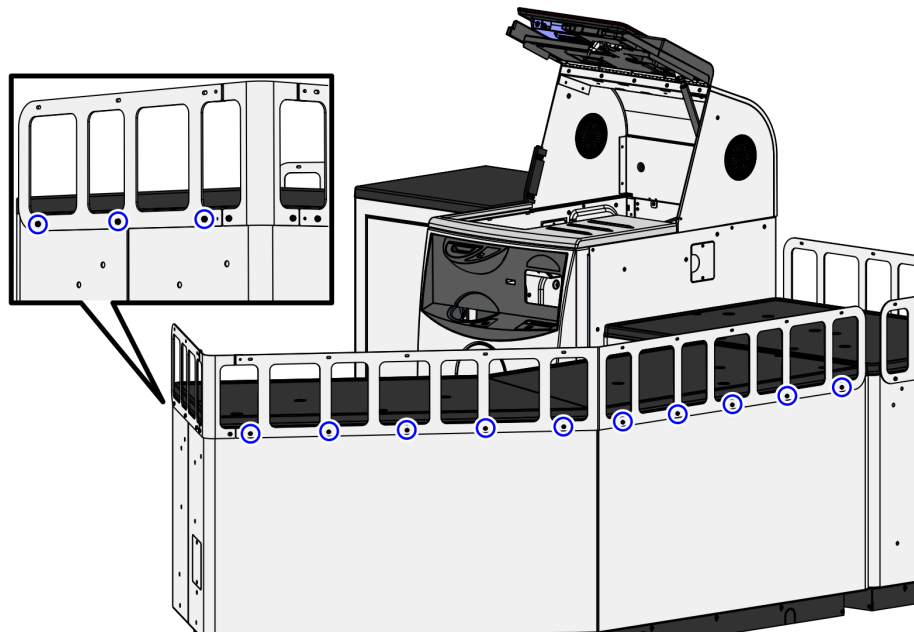
To remove the fences, follow these steps:

1. Remove the fences from the V-Bagwell by doing the following:
 - a. Remove the two (2) screws securing each side fence to the corner fence, as shown in the image below.



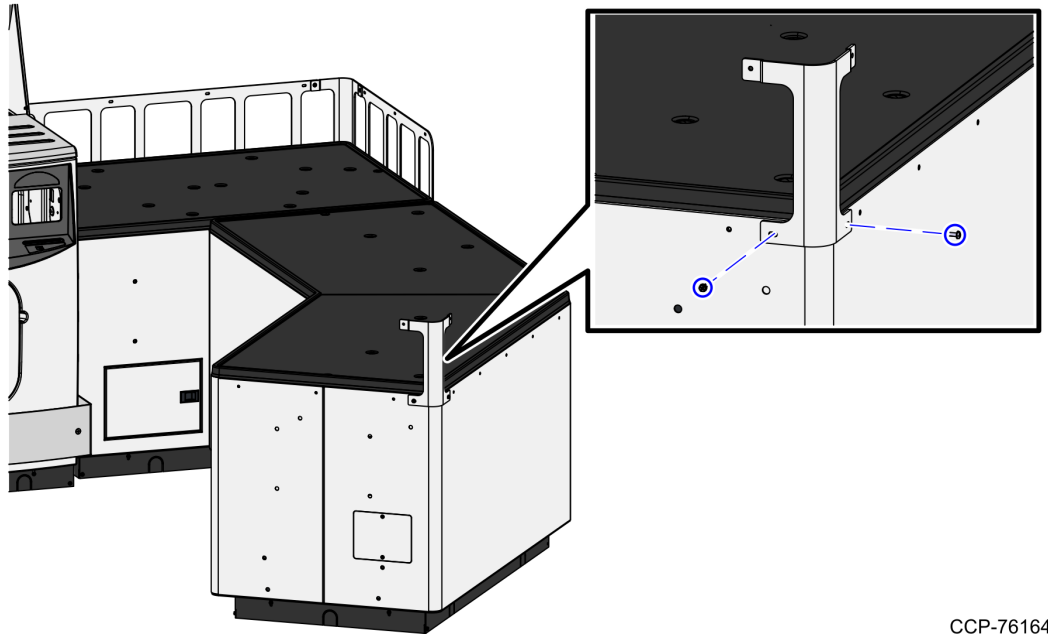
CCP-76165

- b. Remove the 13 screws securing the side fences on the V-Bagwell, as shown in the image below.



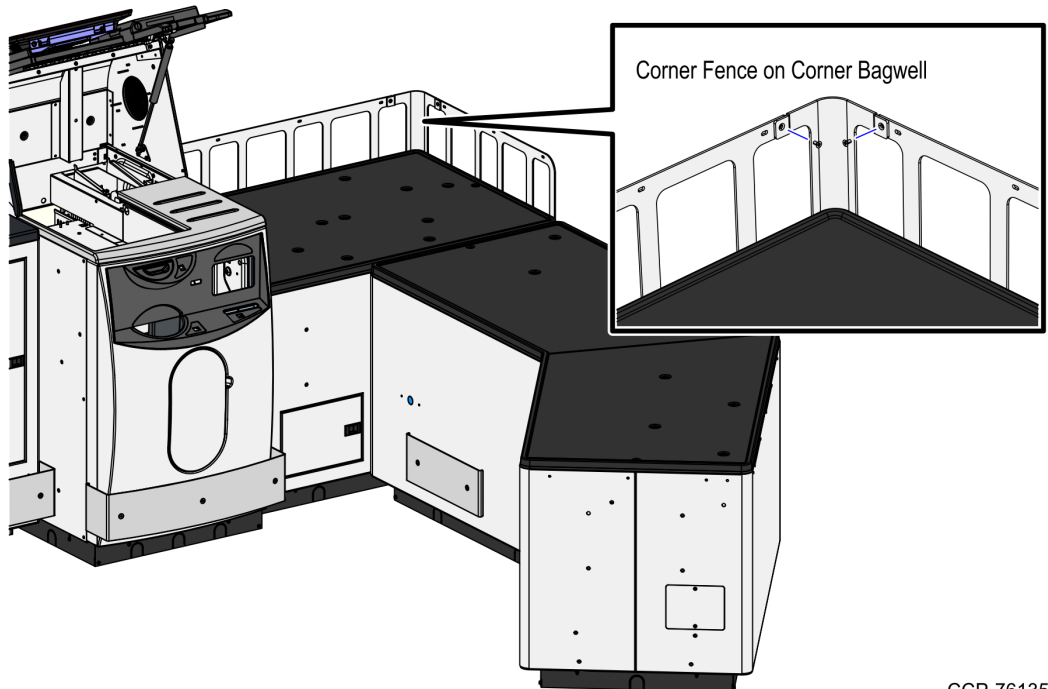
CCP-76134

- c. Remove the two (2) screws securing the corner fence on the V-Bagwell, as shown in the image below.



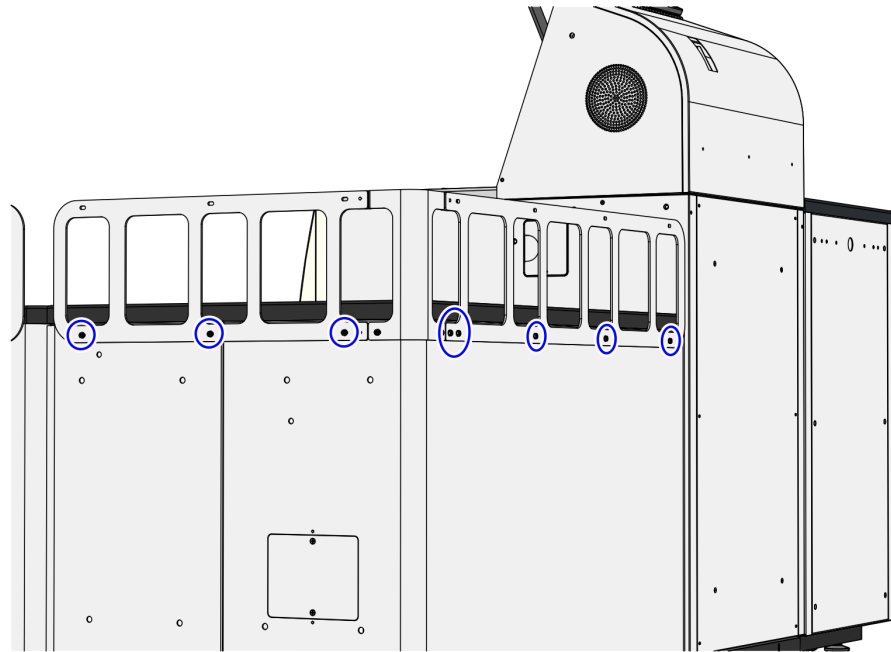
CCP-76164

2. Remove the fences from the Corner Bagwell by doing the following:
 - a. Remove the two (2) screws securing each side fence to the corner fence, as shown in the image below.



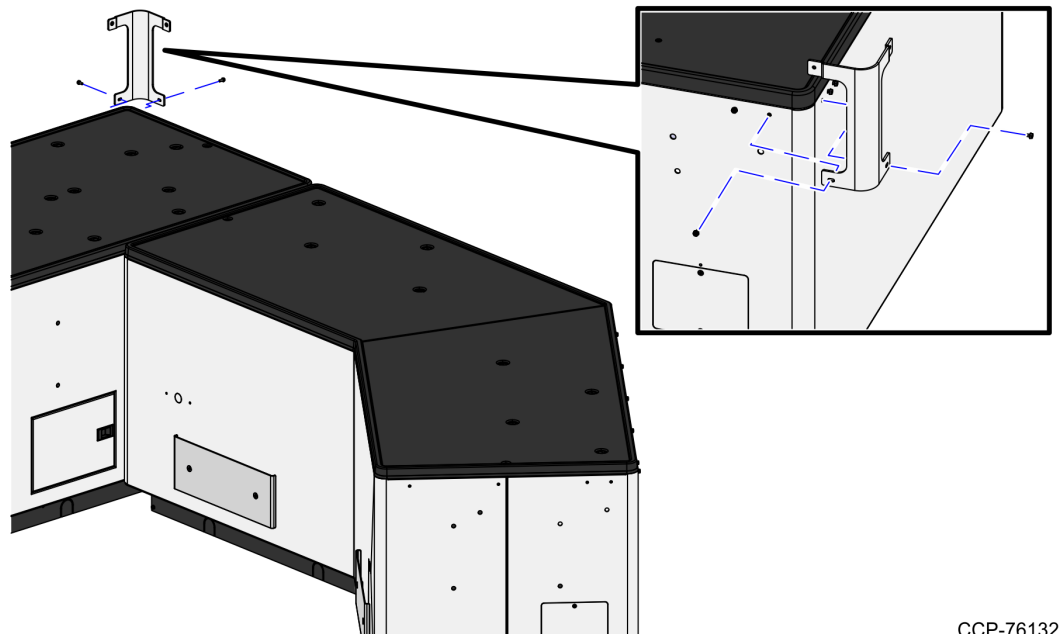
CCP-76135

- b. Remove the seven (7) screws securing the side fences on the Corner Bagwell, as shown in the image below.



CCP-76133

- c. Remove the two (2) screws securing the corner fence on the Bagwell using , as shown in the image below.



CCP-76132

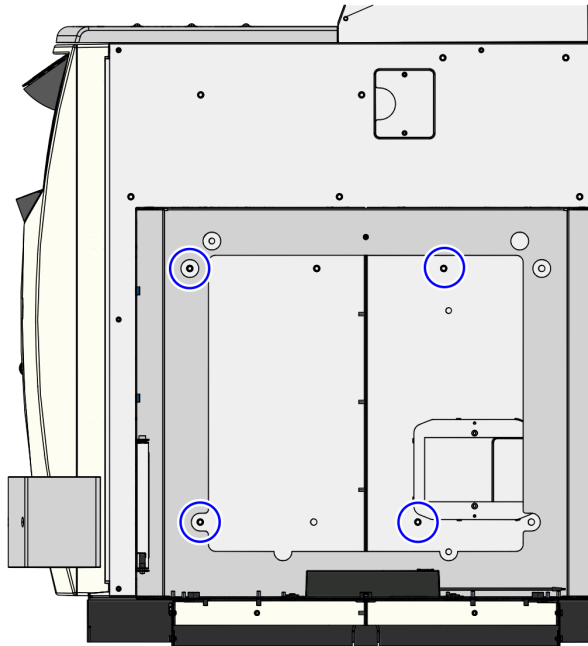
Removing Corner Bagwell

To remove the Corner Bagwell, follow these steps:



Note: For the purpose of illustration only, this procedure shows images using Left-hand (LH) orientation.

1. Remove the top cover tray of the Corner Bagwell, if necessary.
2. Remove the four (4) Phillips pan head screws securing the Corner Bagwell to the SelfServ Checkout Core Cabinet, as shown in the image below.

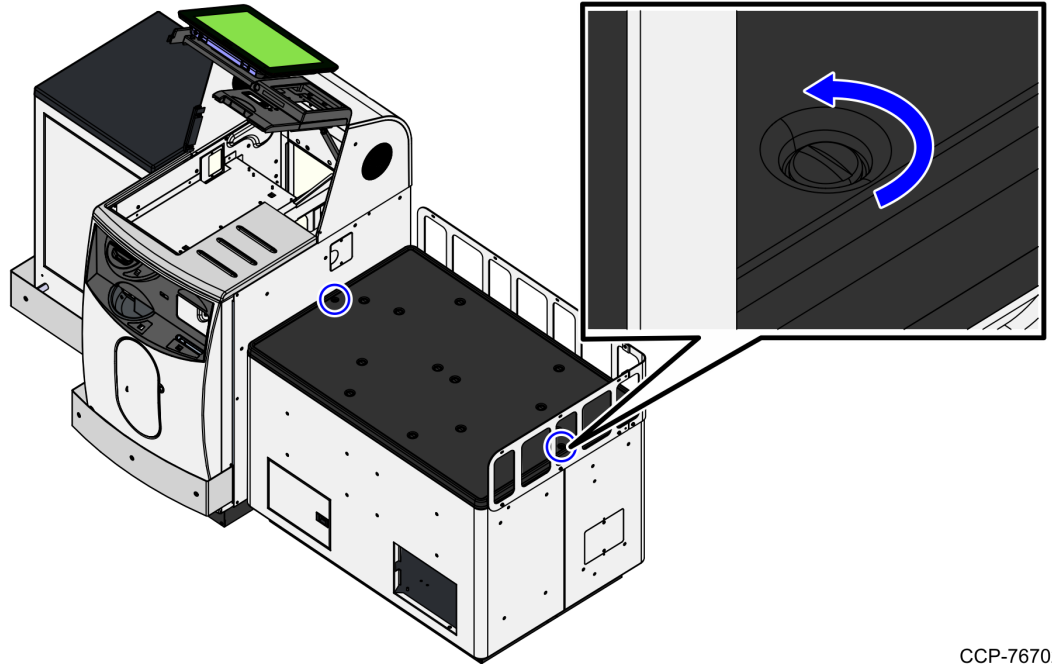


CCP-76125

Removing Power Strip from the Corner Bagwell

To remove the Power Strip from the Corner Bagwell, follow these steps:

1. Do the following:
 - a. On both sides of the top cover tray, turn the Service screw counterclockwise to unlock the tray from the Corner Bagwell.

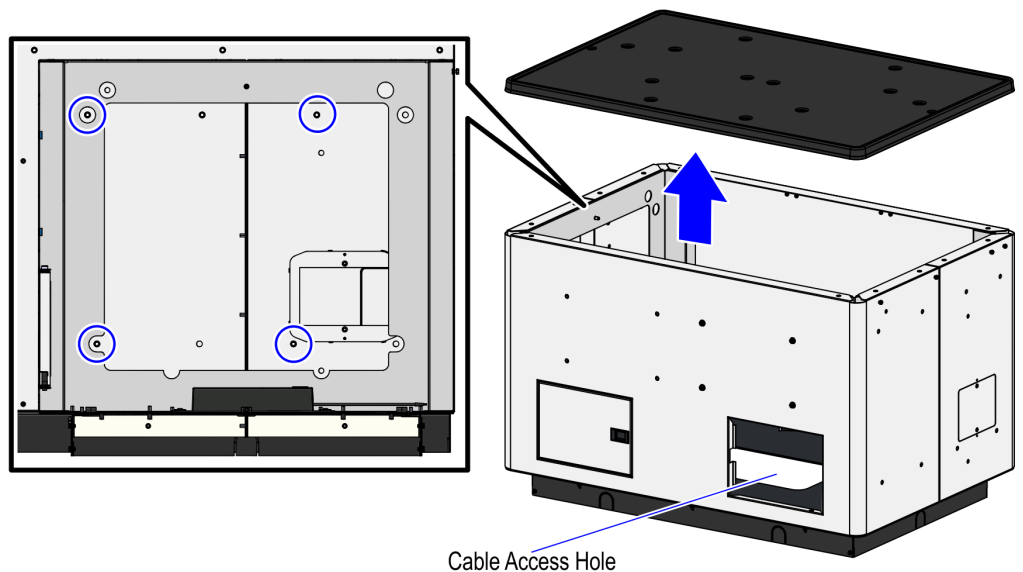


CCP-76702

- b. Remove the top cover of the Corner Bagwell to access the Power Strip, as shown in the image below.



Note: Depending on the orientation of the SelfServ Checkout, one of the access doors and cable access holes are opened by default.



Cable Access Hole

CCP-76123

2. Disconnect all cables plugged to the Power Strip.
3. Remove the two (2) screws securing the Power Strip on the Bagwell floor and the screw allocated for the grounding cable.

