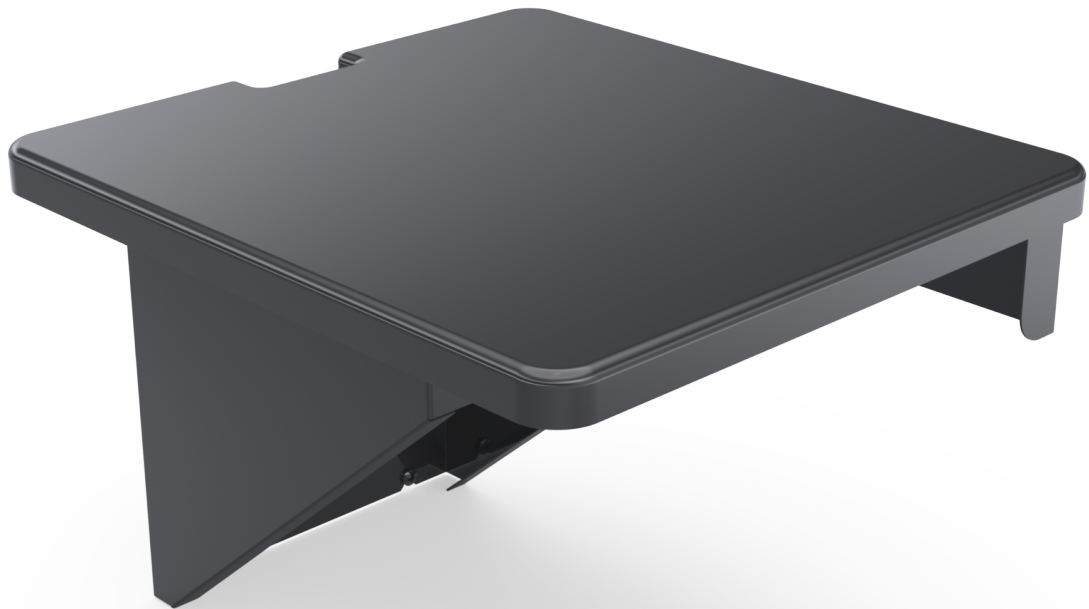


Kit Instructions

Basket Shelf (Walmart)



7358-K501
Issue A



The product described in this document is a licensed product of NCR Corporation.

NCR is a registered trademark of NCR Corporation. NCR FastLane SelfServ™ Checkout is a trademark of NCR Corporation in the United States and/or other countries. Other product names mentioned in this publication may be trademarks or registered trademarks of their respective companies and are hereby acknowledged.

The terms HDMI and HDMI High-Definition Multimedia Interface, and the HDMI Logo are trademarks or registered trademarks of HDMI Licensing LLC in the United States and other countries.

Where creation of derivative works, modifications or copies of this NCR copyrighted documentation is permitted under the terms and conditions of an agreement you have with NCR, NCR's copyright notice must be included.

It is the policy of NCR Corporation (NCR) to improve products as new technology, components, software, and firmware become available. NCR, therefore, reserves the right to change specifications without prior notice.

All features, functions, and operations described herein may not be marketed by NCR in all parts of the world. In some instances, photographs are of equipment prototypes. Therefore, before using this document, consult with your NCR representative or NCR office for information that is applicable and current.

To maintain the quality of our publications, we need your comments on the accuracy, clarity, organization, and value of this book. Please use the link below to send your comments.

Email: FD230036@ncr.com

Copyright © 2020
By NCR Corporation
Global Headquarters
864 Spring St. NW
Atlanta, GA 30308
United States
All Rights Reserved

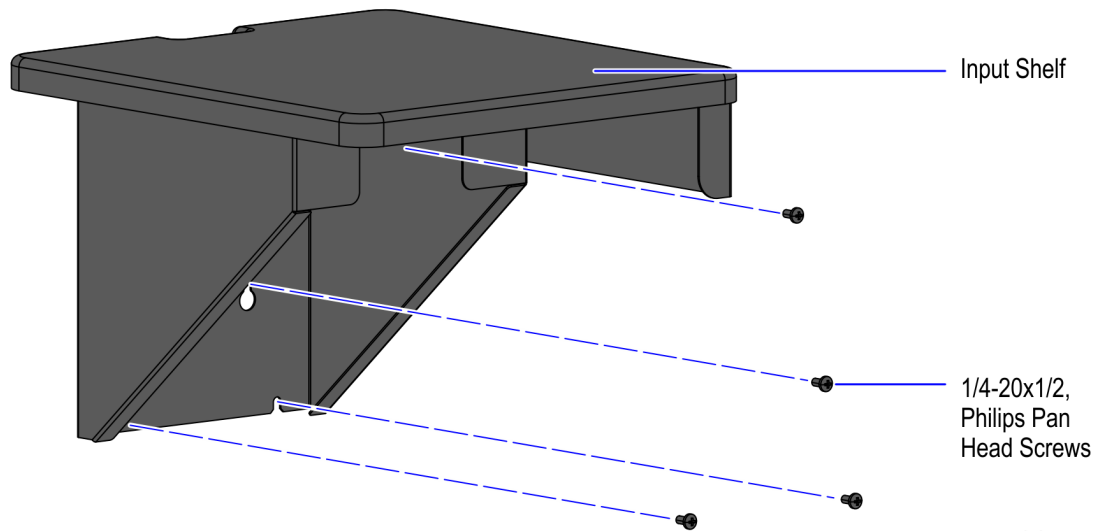
Revision Record

Issue	Date	Remarks
A	Nov 2020	First Issue

Basket Shelf (Walmart)

This publication provides procedures for installing a Basket Shelf to an NCR FastLane SelfServ™ Checkout (7358) R6L Plus unit.

Kit Contents

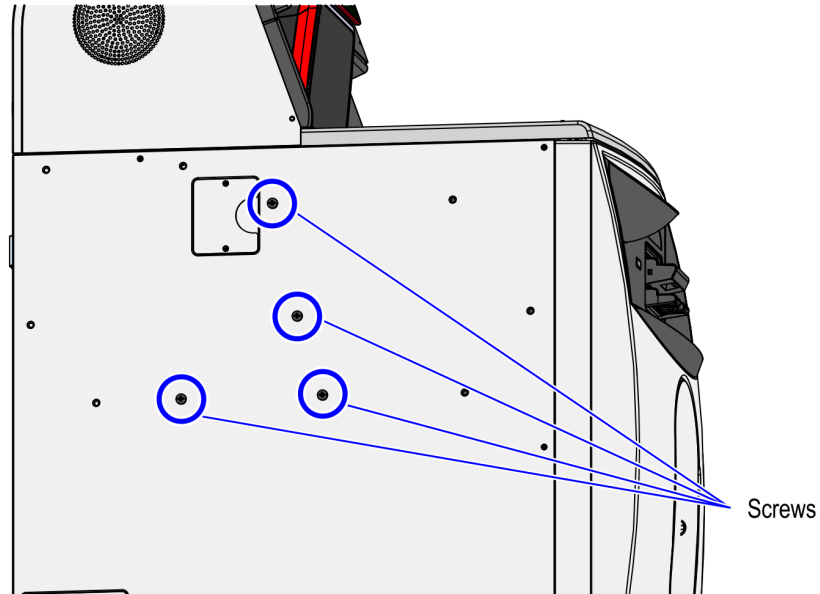


Part Number	Description
497-0528258	Kit - Walmart Input Shelf
006-8604541	Screw, 1/4-20x1/2, Pan Head, Phillips (4 pcs)
497-0529244	Input Shelf

Installation Procedures

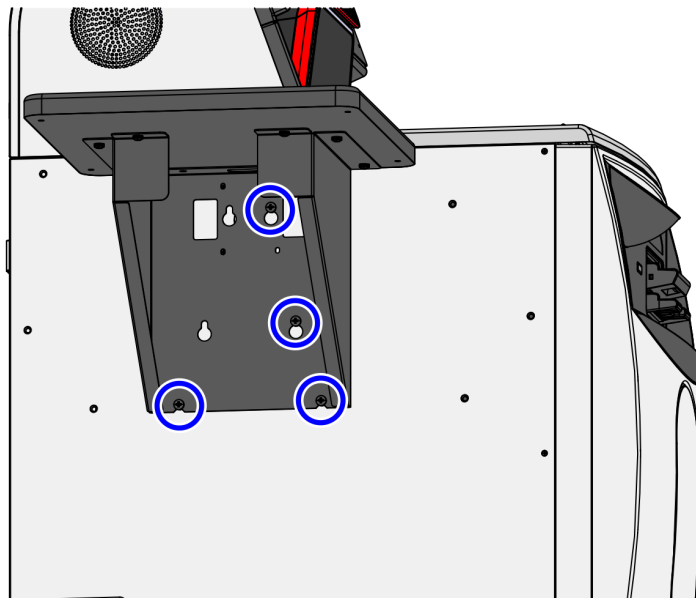
To install the Basket Shelf, follow these steps:

1. Insert four (4) screws into the side of the Core as an alignment guide. Leave at least 1/4 inch of the screw visible.



CCP-78398

2. Align the Basket Shelf over the alignment screws and then slide the Shelf down onto the screws.



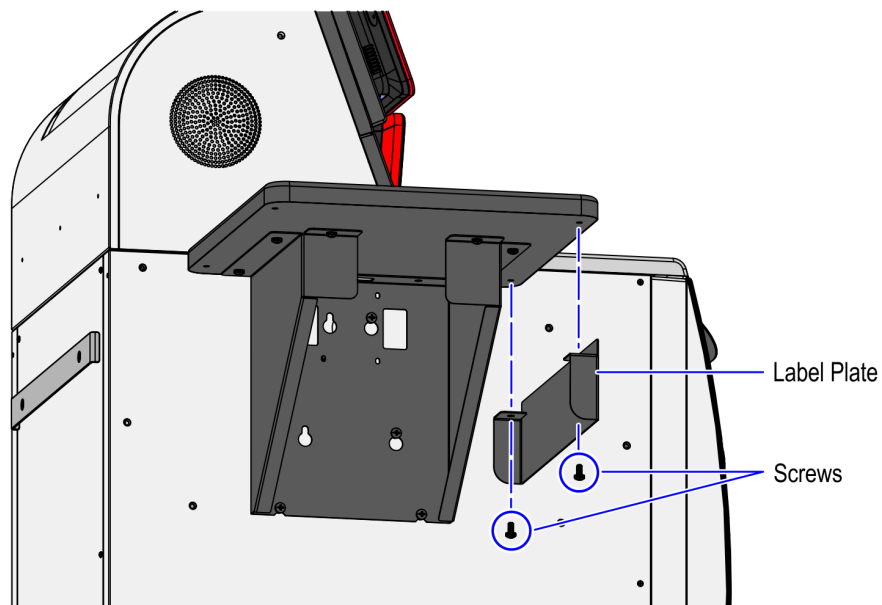
CCP-79704

3. Tighten all four (4) screws to secure the Basket Shelf to the unit.

4. Install the Label Plate to the front of the unit using two (2) screws, as shown in the image below.



Note: The Label Plate position depends on the orientation of the unit.



CCP-79702