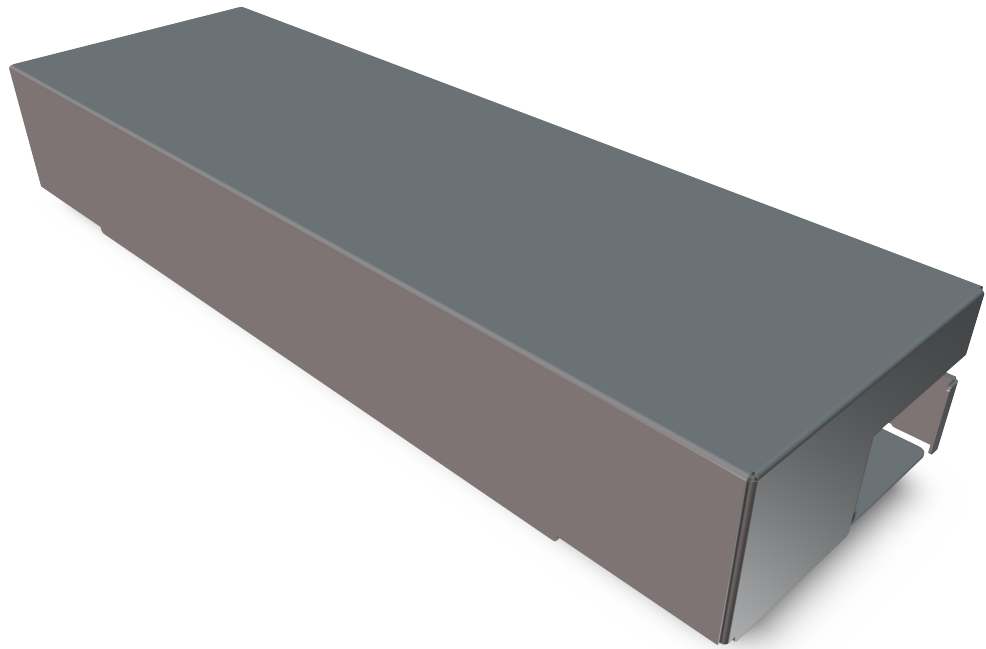


# Kit Instructions

## Power Pole Cover



7358-K480  
Issue A



The product described in this document is a licensed product of NCR Corporation.

NCR is a registered trademark of NCR Corporation. Tri-Light/Lane Light is a trademark of NCR Corporation in the United States and/or other countries. Other product names mentioned in this publication may be trademarks or registered trademarks of their respective companies and are hereby acknowledged.

The terms HDMI and HDMI High-Definition Multimedia Interface, and the HDMI Logo are trademarks or registered trademarks of HDMI Licensing LLC in the United States and other countries.

Where creation of derivative works, modifications or copies of this NCR copyrighted documentation is permitted under the terms and conditions of an agreement you have with NCR, NCR's copyright notice must be included.

It is the policy of NCR Corporation (NCR) to improve products as new technology, components, software, and firmware become available. NCR, therefore, reserves the right to change specifications without prior notice.

All features, functions, and operations described herein may not be marketed by NCR in all parts of the world. In some instances, photographs are of equipment prototypes. Therefore, before using this document, consult with your NCR representative or NCR office for information that is applicable and current.

To maintain the quality of our publications, we need your comments on the accuracy, clarity, organization, and value of this book. Please use the link below to send your comments.

Email: [FD230036@ncr.com](mailto:FD230036@ncr.com)

Copyright © 2021  
By NCR Corporation  
Global Headquarters  
864 Spring St. NW  
Atlanta, GA 30308  
United States  
All Rights Reserved

---

## Revision Record

Issue	Date	Remarks
A	Sept 2021	First Issue



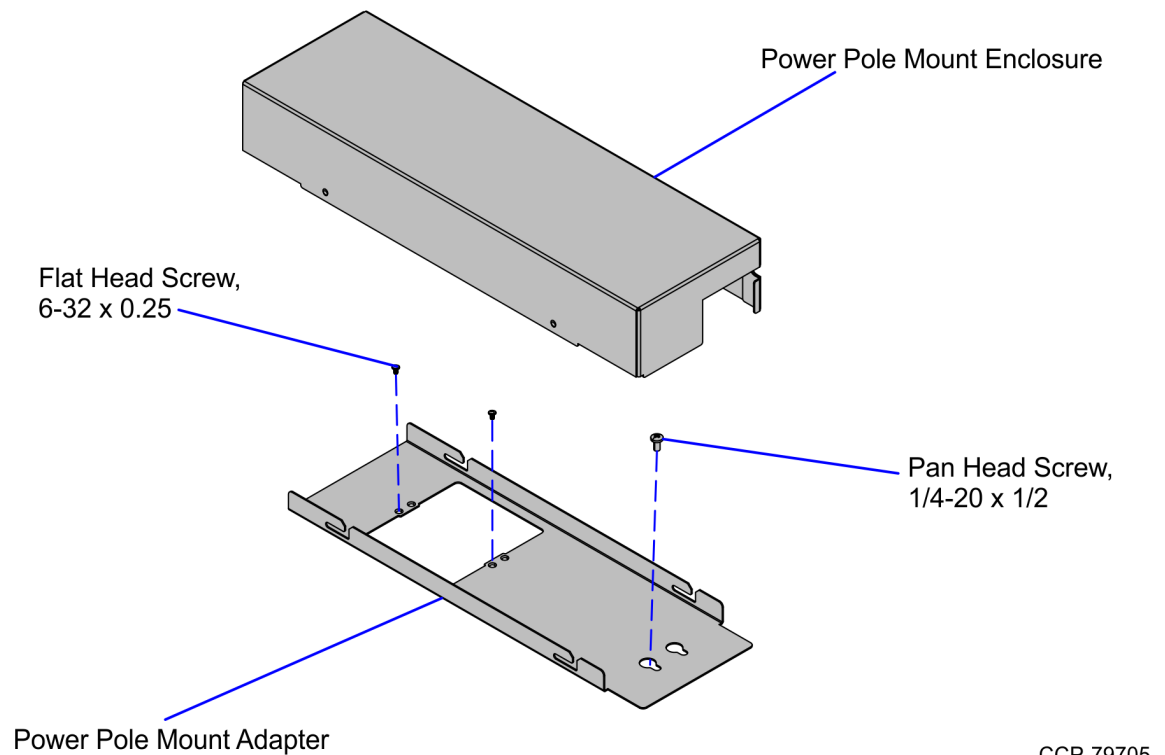
---

# Walmart Power Pole Cover

---

This publication provides procedures for installing a Walmart Power Pole Cover to an NCR FastLane SelfServ™ Checkout (7358) R6L Plus unit.

## Kit Contents

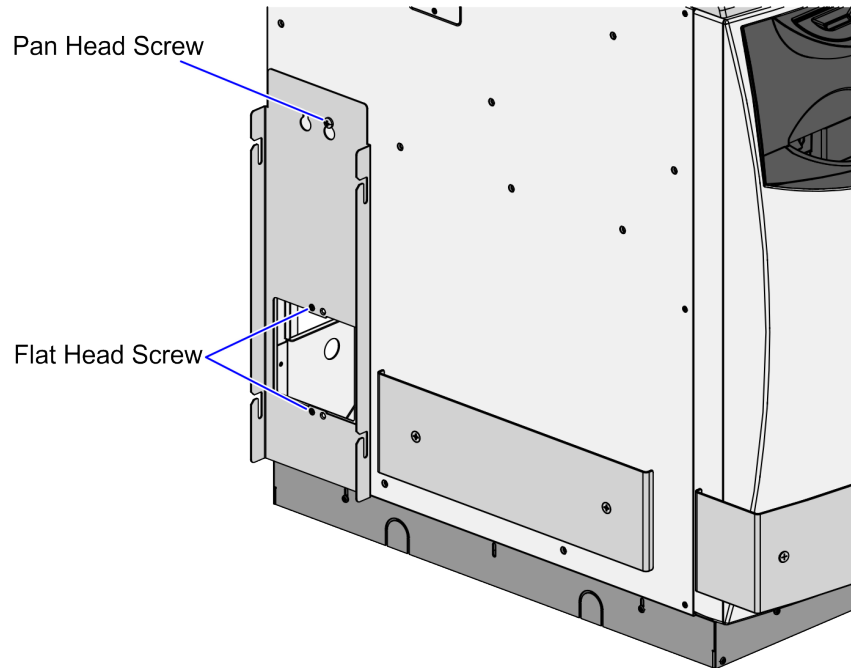


Part Number	Description
497-0528208	Walmart Power Pole Cover Kit
795-0288628	Power Pole Mount Enclosure (Walmart Medium Gray)
795-0288728	Power Pole Mount Adapter (Walmart Medium Gray)
006-8604541	Screw, 1/4-20x1/2, Pan Head, Phillips
006-8612955	Screw, 6-32 x 0.25" Phil Flat Head, Undercut, Thread-cutting Type F, Zinc-Plated Steel (2 pcs)
* 497-0423108	Kit Instructions (Reference Sheet)

# Installation Procedures

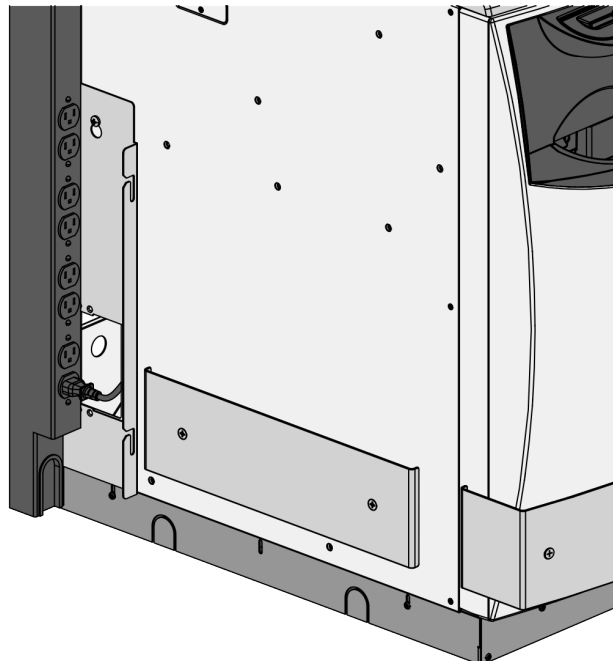
To install the Power Pole Cover, follow these steps:

1. Remove the cover at the side of the Core.
2. Attach the Power Pole Mount Adapter to the side of the core using one (1) pan head screw and two (2) flat head screws.



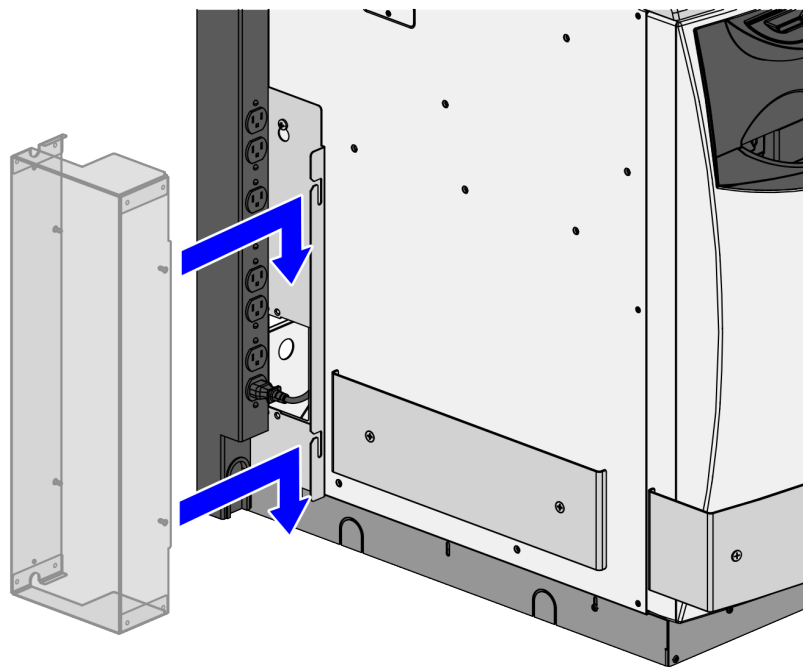
CCP-79706

3. Route the power cable to the outside of the core and plug it into the socket.



CCP-79707

4. Attach the Power Pole Mount Enclosure to the Power Pole Mount Adapter by aligning the pins to the slotted cutouts and sliding it down.



CCP-79708

