

Kit Instructions

Ingenico IPP320350 - SP1



7358-K403
Issue A



The product described in this document is a licensed product of NCR Corporation.

NCR is a registered trademark of NCR Corporation. NCR FastLane SelfServ™ Checkout is a trademark of NCR Corporation in the United States and/or other countries. Other product names mentioned in this publication may be trademarks or registered trademarks of their respective companies and are hereby acknowledged.

The terms HDMI and HDMI High-Definition Multimedia Interface, and the HDMI Logo are trademarks or registered trademarks of HDMI Licensing LLC in the United States and other countries.

Where creation of derivative works, modifications or copies of this NCR copyrighted documentation is permitted under the terms and conditions of an agreement you have with NCR, NCR's copyright notice must be included.

It is the policy of NCR Corporation (NCR) to improve products as new technology, components, software, and firmware become available. NCR, therefore, reserves the right to change specifications without prior notice.

All features, functions, and operations described herein may not be marketed by NCR in all parts of the world. In some instances, photographs are of equipment prototypes. Therefore, before using this document, consult with your NCR representative or NCR office for information that is applicable and current.

Copyright © 2021
By NCR Corporation
Global Headquarters
864 Spring St. NW
Atlanta, GA 30308
United States
All Rights Reserved

Revision Record

Issue	Date	Remarks
A	Dec 2021	First Issue

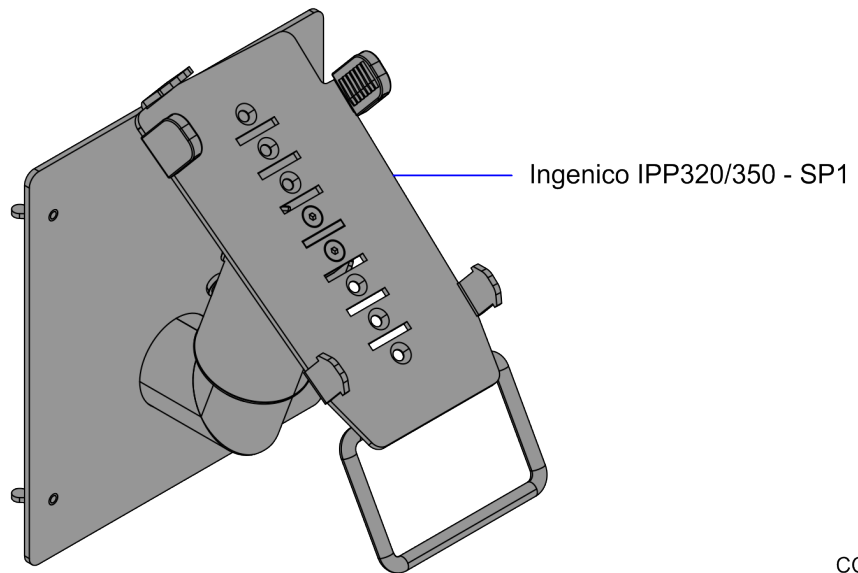
Ingenico IPP320350 - SP1

This publication provides procedure for installing the 7358-K403 Ingenico IPP320350 - SP1 to the NCR FastLane SelfServ™ Checkout (7358) R6L Plus.



Note: The PIN Pad device is not included in the 7358-K403 *Ingenico IPP320350 - SP1 Kit*. For more information, contact and NCR Customer Service Representative.

Kit Contents



Part Number	Description
497-0530243	Ingenico IPP320/350 - SP1
* 497-0423108	Instructions Kit (Reference Sheet)

* Items marked with an asterisk are not called out on the image.

Required Tools

The following tools are required for removing and installing the 7358-K403 Ingenico IPP320350 - SP1.

- Phillips Screwdriver #2
- #8-32 Nut Driver

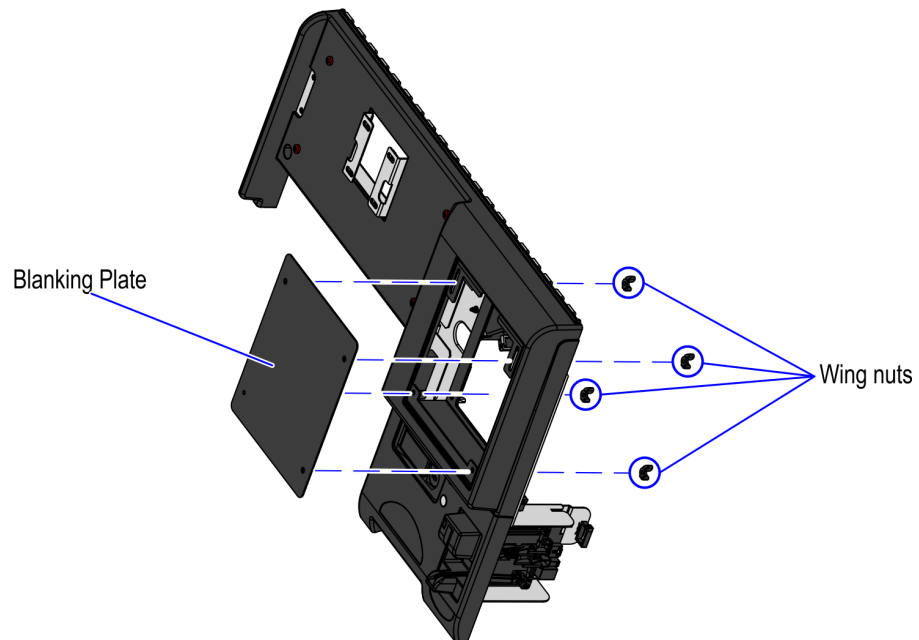


Note: Use a magnetized screwdriver to easily handle the screws.

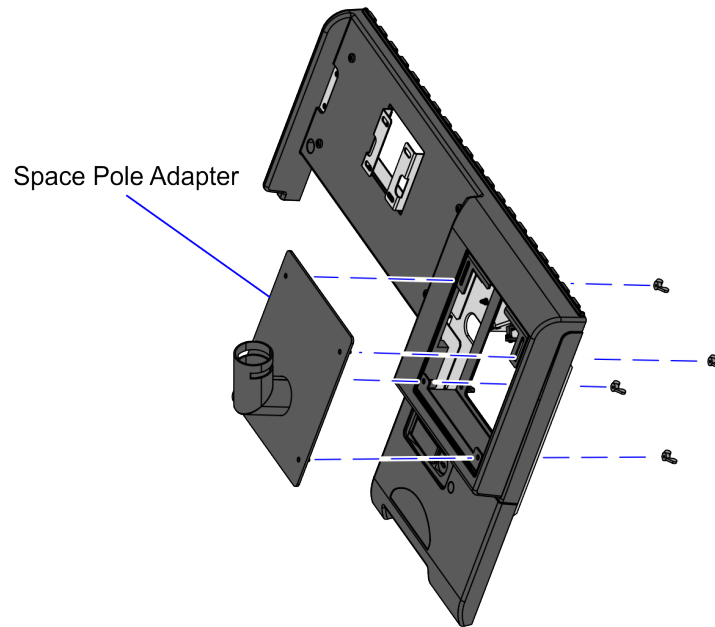
Installation Procedures

To install the 7358-K403 Ingenico IPP320350 - SP1 to the NCR FastLane SelfServ™ Checkout (7358) R6L Plus unit, follow these steps:

1. Turn off the NCR SelfServ Checkout software and hardware systems.
2. Open the Upper Cabinet Door. For more information, refer to [Opening Tower Cabinet](#) on page 6.
3. Do either of the following:
 - Remove the existing PIN Pad Mount assembly. For more information, refer to [Removing Existing PIN Pad Mount Assembly](#) on page 8.
 - Remove four (4) wing nuts to detach the PIN Pad Blanking Plate to the Upper Cabinet Door.

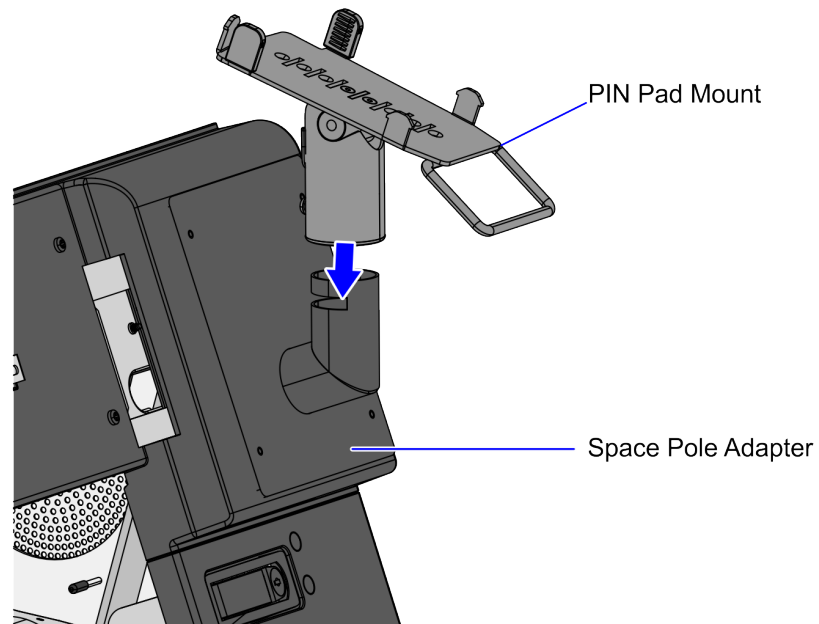


- Align the Space Pole Adapter to the PIN Pad slot on the Upper Cabinet Door and then secure using four (4) wing nuts. Ensure that the orientation of the Space Pole Adapter is the same with the image shown below.



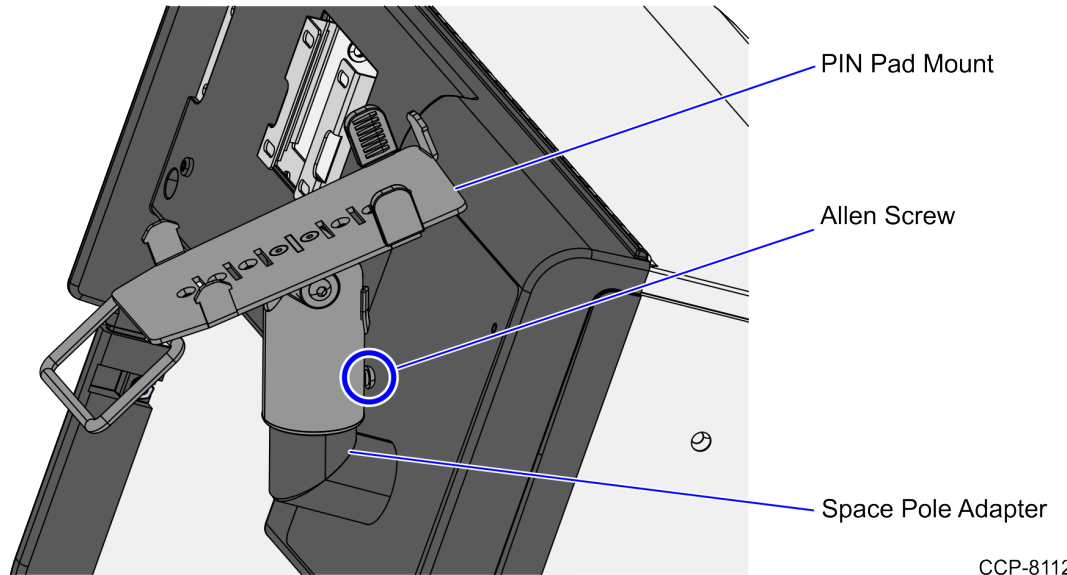
CCP-81115

- Attach the PIN Pad mount to the Space Pole Adapter.



CCP-81119

- Secure the PIN Pad mount using one (1) Allen screw, as shown in the image below.

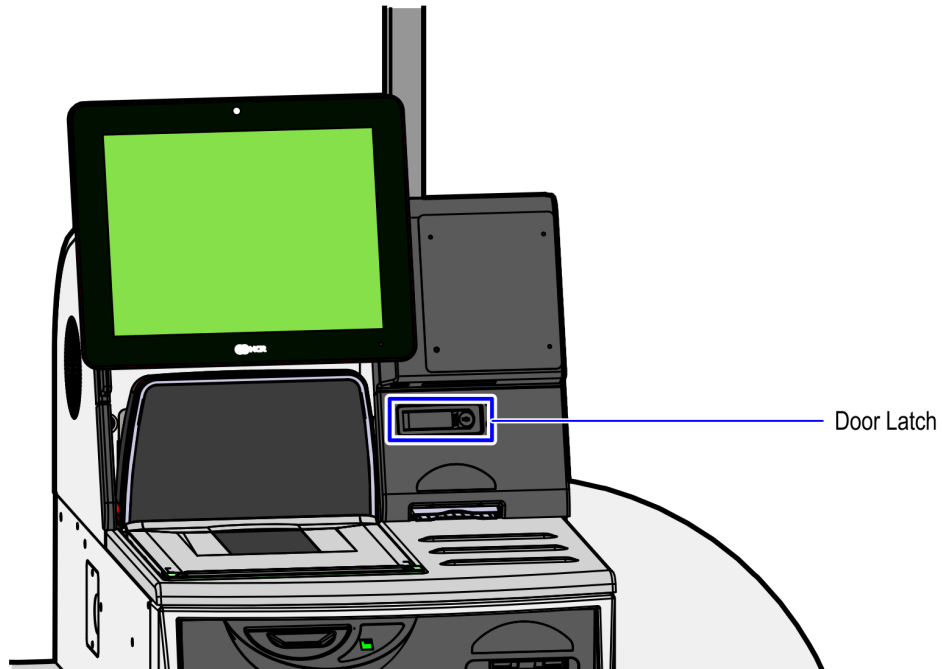


CCP-81122

Opening Tower Cabinet

To open the Tower Cabinet, follow these steps:

1. Insert the key into the door latch lock and turn key counterclockwise.

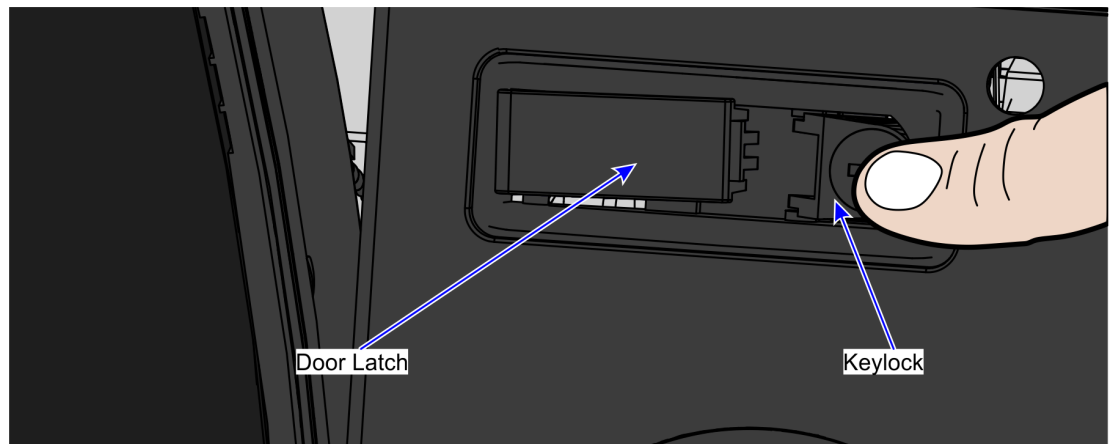


CCP-74762

2. Remove the key and then press the keylock to unlatch the door.

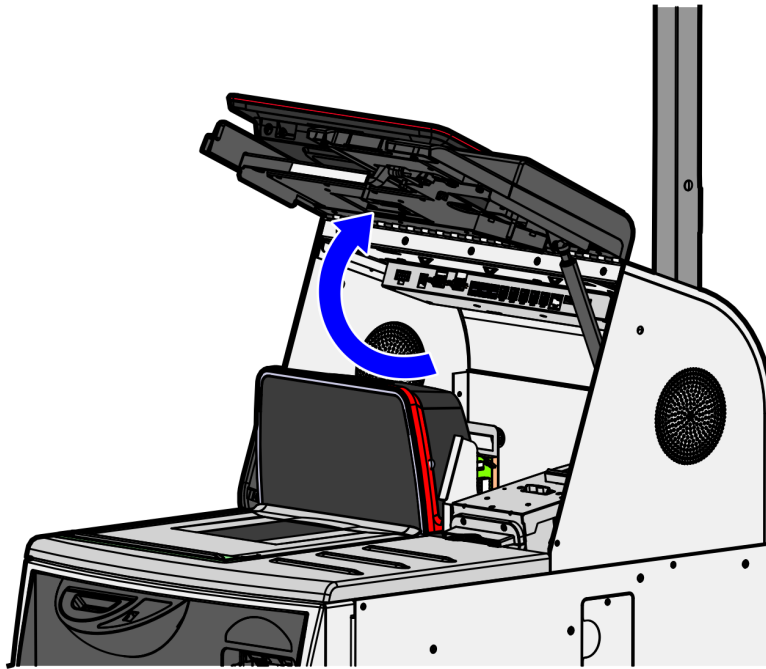


Caution: Ensure that the door is pushed down while lock is pressed because the door will automatically open.



CCP-72718

3. Raise the Tower Cabinet door.

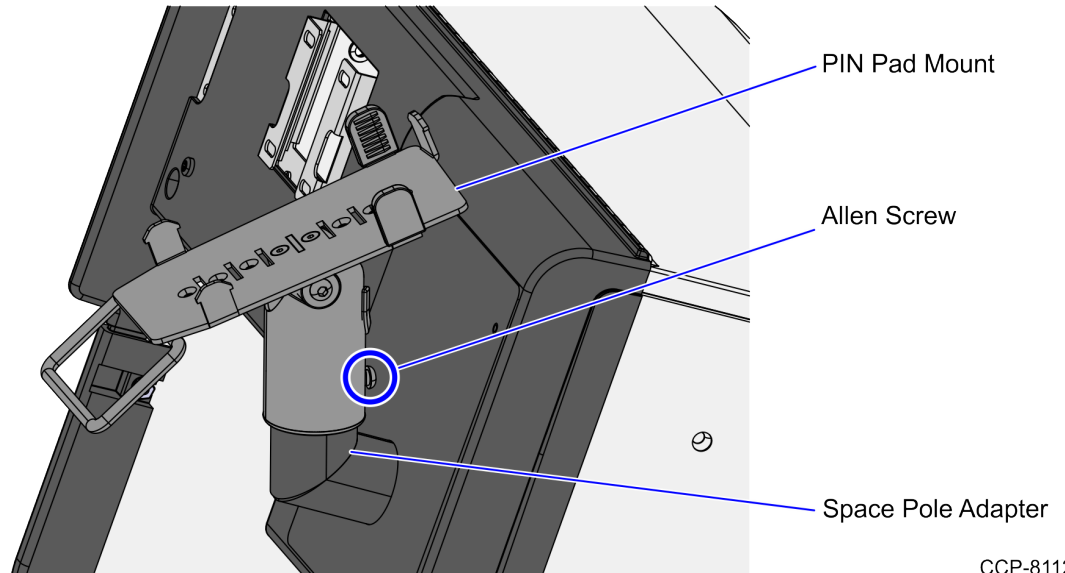


CCP-74776

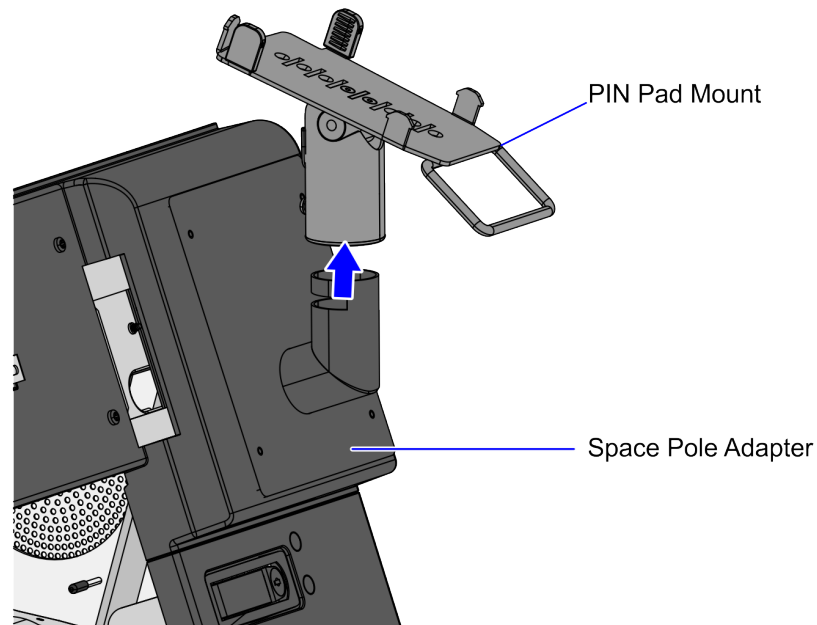
Removing Existing PIN Pad Mount Assembly

To remove the existing 7358-K403 Ingenico IPP320350 - SP1 from the NCR FastLane SelfServ™ Checkout (7358) R6L Plus unit, follow these steps:

1. Turn off the NCR SelfServ Checkout software and hardware systems.
2. Remove the Allen key securing the PIN Pad Mount to the Space Pole Adapter.



3. Lift the PIN Pad Mount from the Space Pole Adapter as shown in the image below.



4. If necessary, do the following:
 - a. Open the Upper Cabinet Door. For more information, refer to [Opening Tower Cabinet](#) on page 6.
 - b. Detach the Space Pole Adapter from the Upper Cabinet Door by removing four (4) wing nuts.

