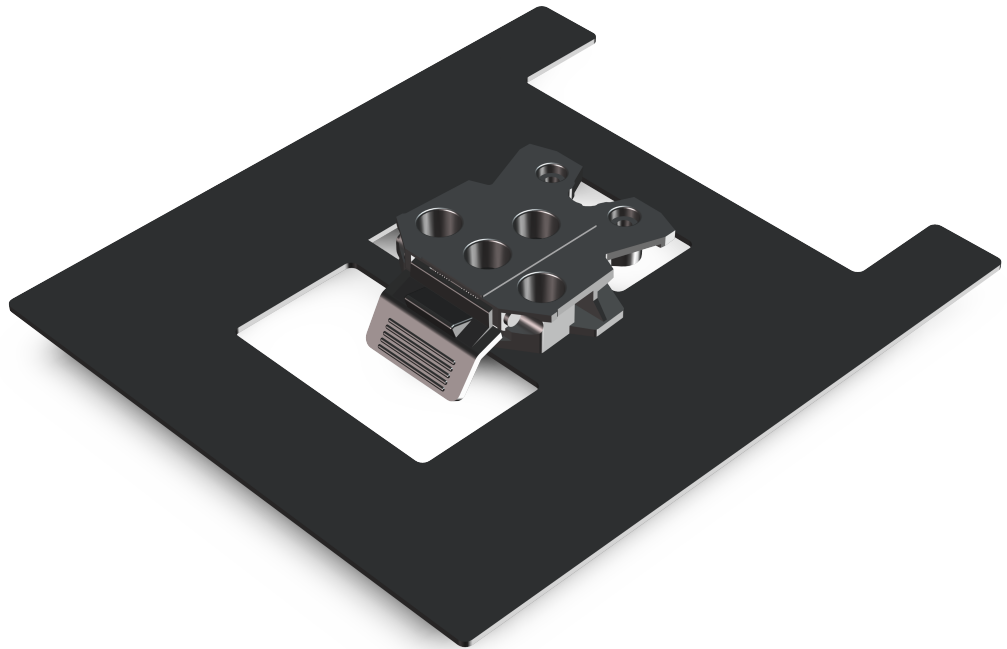


Kit Instructions

PIN Pad Mount (Ingenico Lane 7000)



7358-K401
Issue A



The product described in this document is a licensed product of NCR Corporation.

NCR is a registered trademark of NCR Corporation. NCR FastLane SelfServ™ Checkout is a trademark of NCR Corporation in the United States and/or other countries. Other product names mentioned in this publication may be trademarks or registered trademarks of their respective companies and are hereby acknowledged.

The terms HDMI and HDMI High-Definition Multimedia Interface, and the HDMI Logo are trademarks or registered trademarks of HDMI Licensing LLC in the United States and other countries.

Where creation of derivative works, modifications or copies of this NCR copyrighted documentation is permitted under the terms and conditions of an agreement you have with NCR, NCR's copyright notice must be included.

It is the policy of NCR Corporation (NCR) to improve products as new technology, components, software, and firmware become available. NCR, therefore, reserves the right to change specifications without prior notice.

All features, functions, and operations described herein may not be marketed by NCR in all parts of the world. In some instances, photographs are of equipment prototypes. Therefore, before using this document, consult with your NCR representative or NCR office for information that is applicable and current.

To maintain the quality of our publications, we need your comments on the accuracy, clarity, organization, and value of this book. Please use the link below to send your comments.

Email: FD230036@ncr.com

Copyright © 2021
By NCR Corporation
Global Headquarters
864 Spring St. NW
Atlanta, GA 30308
United States
All Rights Reserved

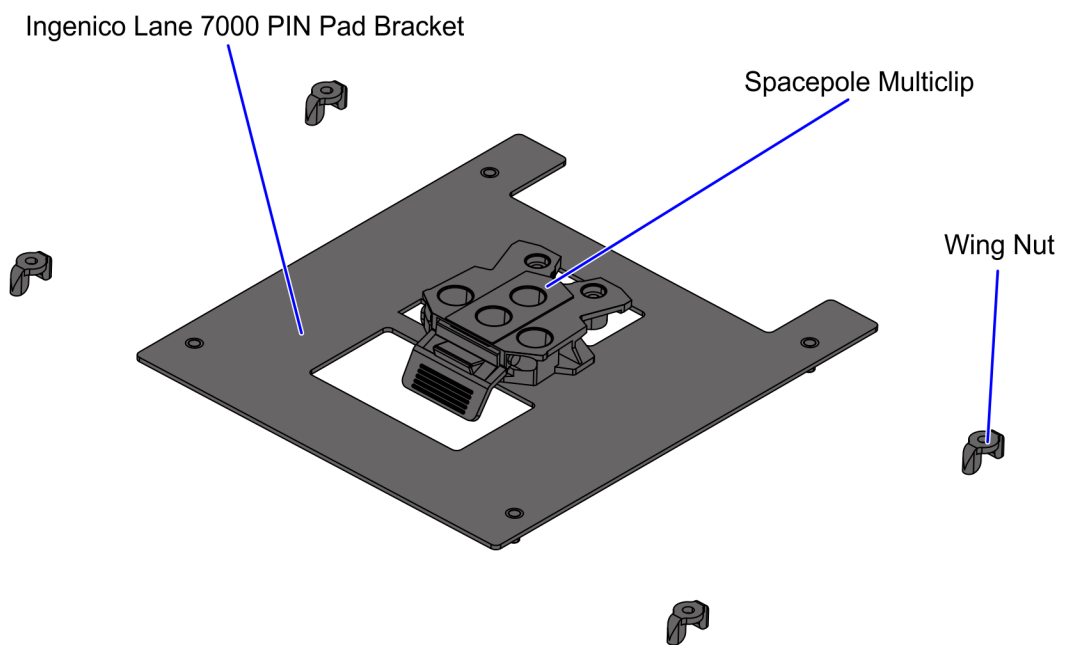
Revision Record

Issue	Date	Remarks
A	Sept 2021	First Issue

PIN Pad Mount (Ingenico Lane 7000)

This publication provides procedures for installing a K401 PIN Pad Mount (Igenico Lane 7000) to the NCR FastLane SelfServ™ Checkout (7358) R6L Plus.

Kit Contents



CCP-80314

Part Number	Description
497-0530329	7358-K401 PIN Pad Mount Bracket (Ingenico 7000)
007-4581603	Wing Nut, 6-32 Zinc Plated Steel (4 pcs)
497-0530543	Igenico Lane 7000 PIN Pad Bracket
497-0530613	Spacepole Multiclip
* 497-0423108	Kit Instructions (Reference Sheet)

* Items marked with an asterisk are not called out on the image.

Installation Procedures

Installing the PIN Pad Mount involves the following procedures:

1. [*Removing Existing PIN Pad or Blanking Plate*](#) on the facing page.
2. [*Installing the PIN Pad Mount*](#) on page 5.
3. [*Installing Ingenico Lane 7000 PIN Pad*](#) on page 8.

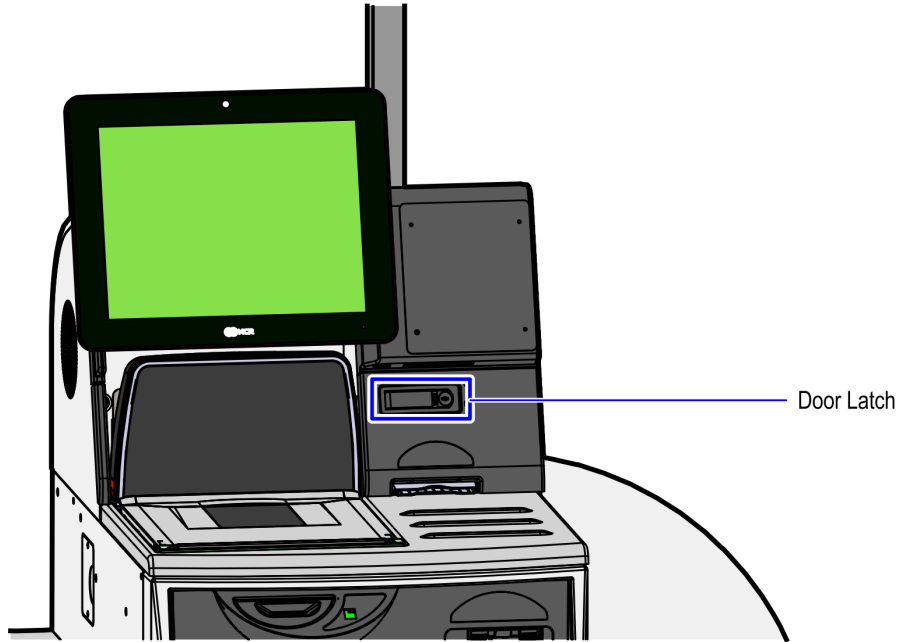


Note: The Ingenico Lane 7000 PIN Pad is not included in the 7358-K401 PIN Pad Kit. For more information, contact your NCR Customer Service Representative.

Removing Existing PIN Pad or Blanking Plate

To remove the existing PIN Pad Mount or PIN Pad Blanking Plate, follow these steps:

1. Open the Tower Cabinet and follow these steps:
 - a. Insert the key into the door latch lock and turn key counterclockwise.

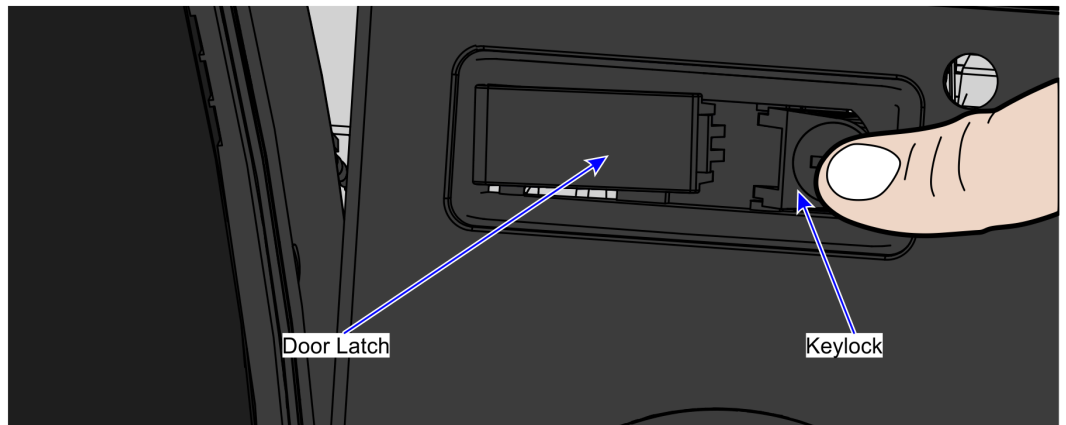


CCP-74762

- b. Remove the key and then press the keylock to unlatch the door.

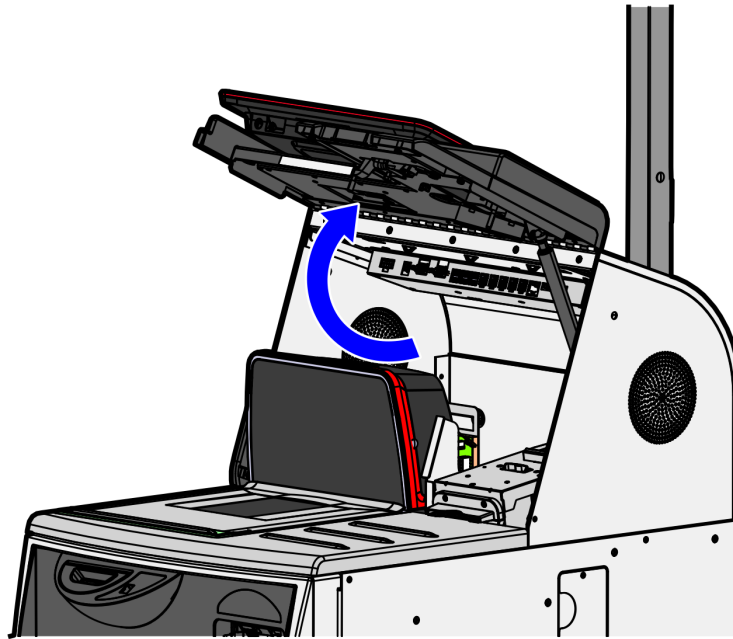


Caution: The door will automatically open. Make sure to push the door down while pressing on the keylock.



CCP-72718

- c. Raise the Tower Cabinet door.



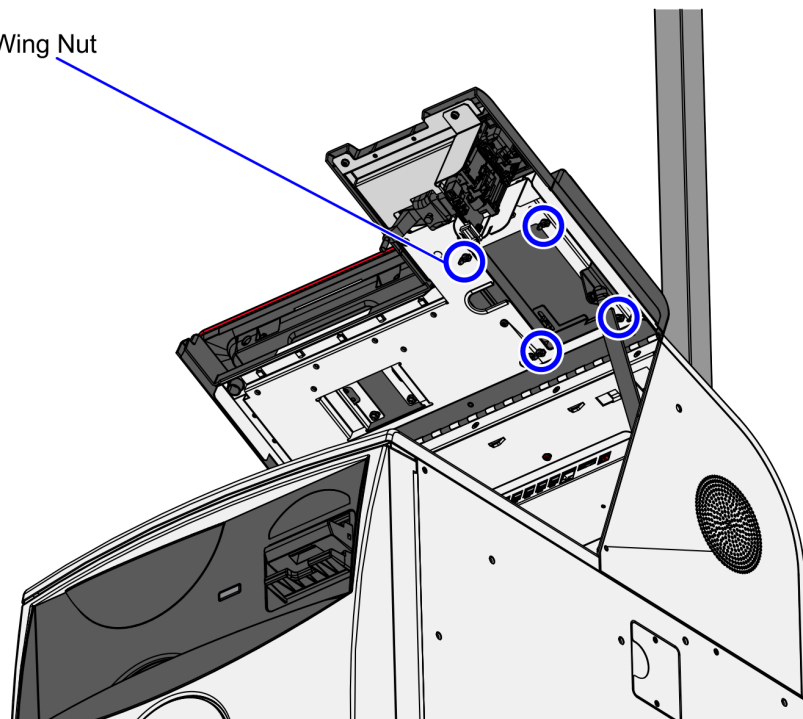
CCP-74776

2. Remove existing PIN Pad or PIN Pad Blanking Plate by removing four (4) wing nuts.



Note: Set aside the four (4) wing nuts and reuse in installing the PIN Pad Mount assembly.

Wing Nut

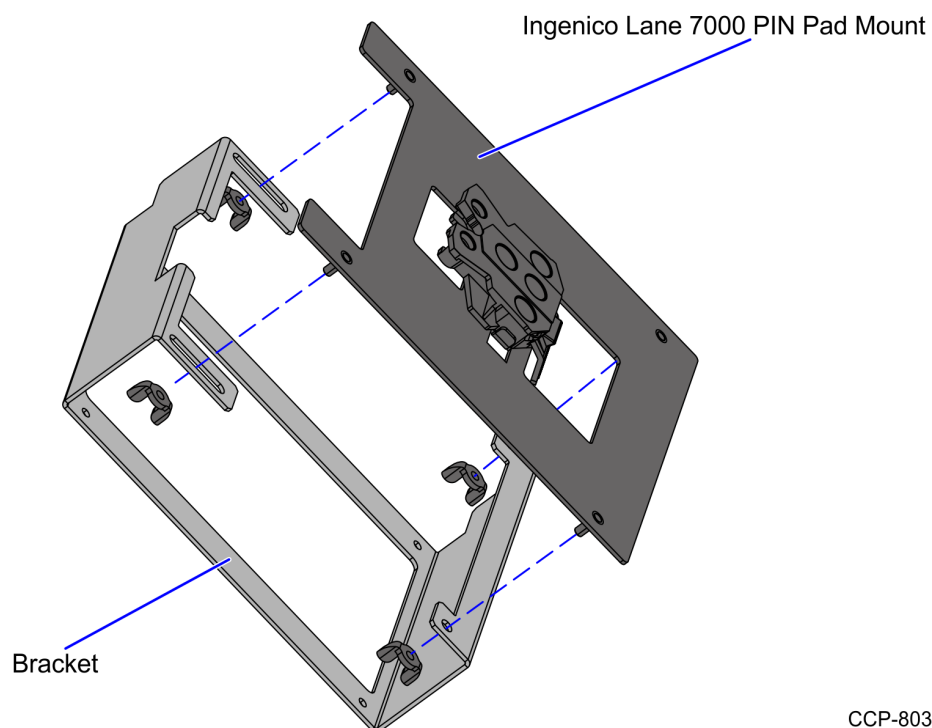


CCP-80315

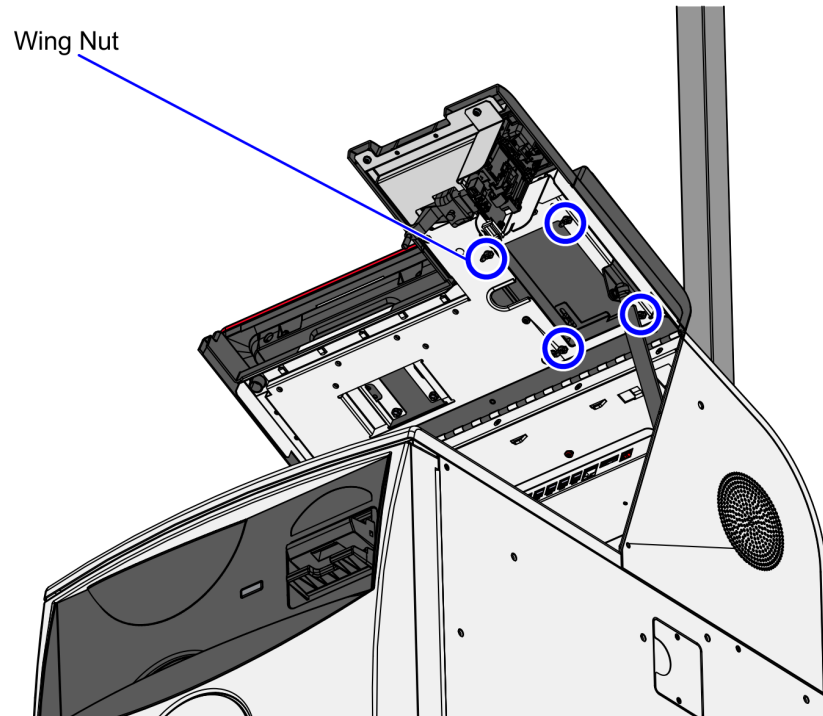
Installing the PIN Pad Mount

To install the PIN Pad Mount, follow these steps:

1. Ensure that the existing PIN Pad or PIN Pad Blanking Plate. Refer to [Removing Existing PIN Pad or Blanking Plate](#) on page 3.
2. Attach the PIN Pad Mount (Ingenico 7000) to the bracket using four (4) wing nuts.

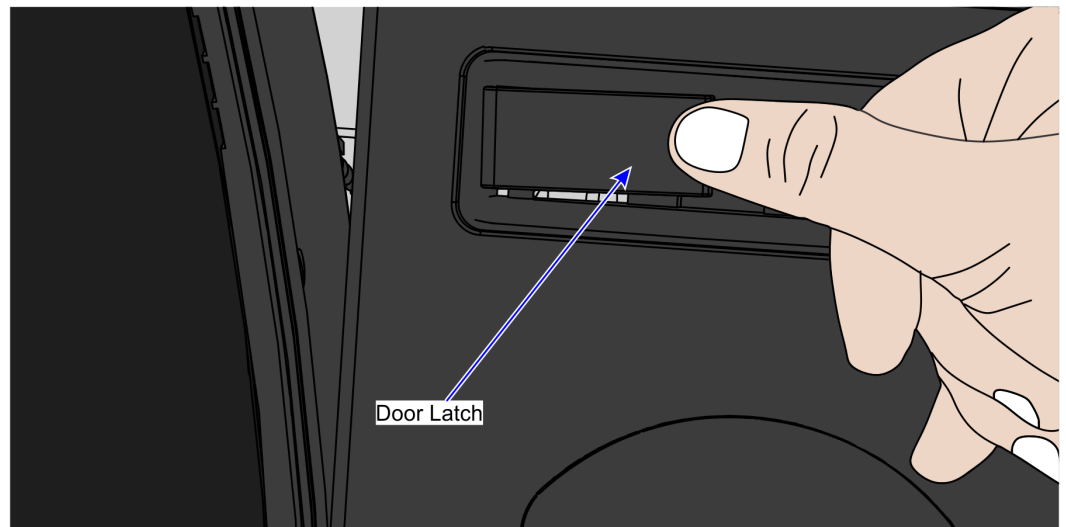


3. Install the PIN Pad Mount assembly to the Tower Cabinet using four (4) wing nuts.



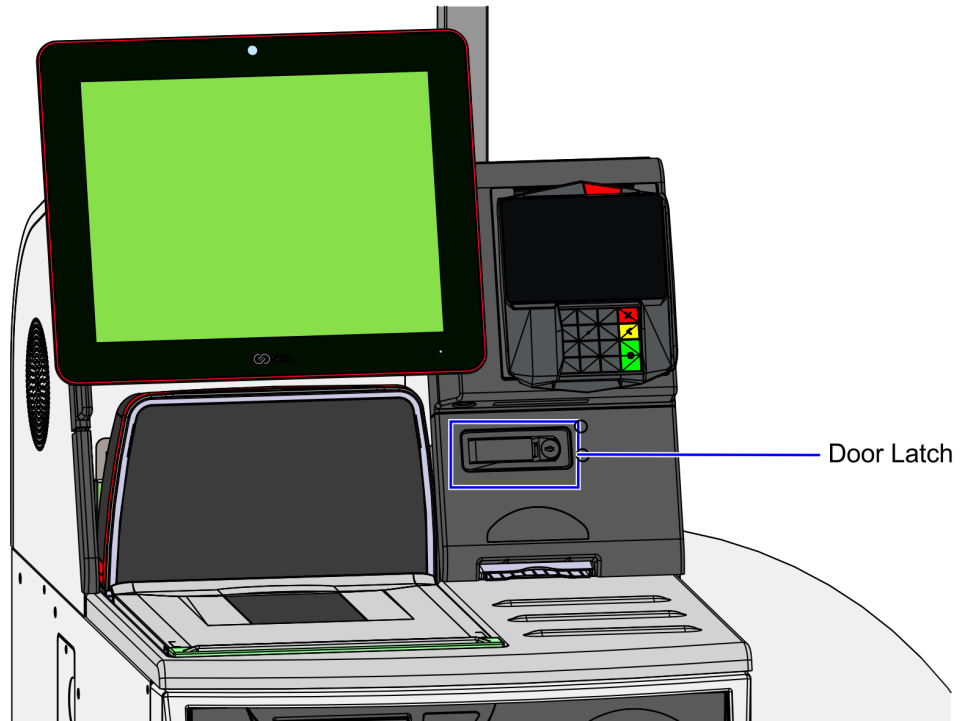
CCP-80315

4. Close the Tower Cabinet by doing the following:
 - a. Push down the door and then push the door latch until it closes. The Tower Cabinet is closed.



CCP-72719

- b. Insert key in the door latch lock and then turn it clockwise to lock the door.



CCP-80319

- c. Remove keys.

Installing Ingenico Lane 7000 PIN Pad

The Ingenico Lane 7000 PIN Pad is not included in the 7358-K401 PIN Pad Kit. For more information, contact your NCR Customer Service Representative.

1. Connect the PIN Pad cable to the RS232/A port of the Primary Terminal Display.
2. Route the cable out of the PIN Pad Mount.
3. Connect the cable to the PIN Pad port.
4. Mount the PIN Pad by attaching it to the PIN Pad Mount and sliding it down, as shown in the image below.

