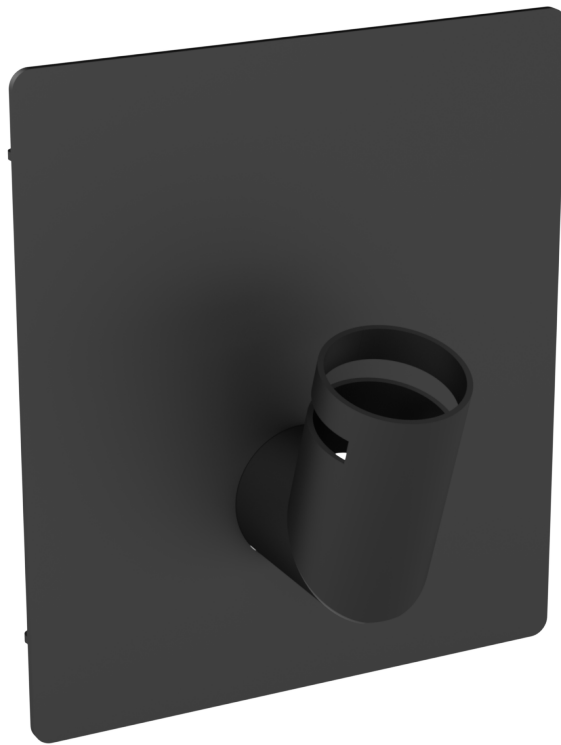


# Kit Instructions

Space Pole Adapter - SP1



7358-K400  
Issue A



The product described in this document is a licensed product of NCR Corporation.

NCR is a registered trademark of NCR Corporation. NCR FastLane SelfServ™ Checkout is a trademark of NCR Corporation in the United States and/or other countries. Other product names mentioned in this publication may be trademarks or registered trademarks of their respective companies and are hereby acknowledged.

The terms HDMI and HDMI High-Definition Multimedia Interface, and the HDMI Logo are trademarks or registered trademarks of HDMI Licensing LLC in the United States and other countries.

Where creation of derivative works, modifications or copies of this NCR copyrighted documentation is permitted under the terms and conditions of an agreement you have with NCR, NCR's copyright notice must be included.

It is the policy of NCR Corporation (NCR) to improve products as new technology, components, software, and firmware become available. NCR, therefore, reserves the right to change specifications without prior notice.

All features, functions, and operations described herein may not be marketed by NCR in all parts of the world. In some instances, photographs are of equipment prototypes. Therefore, before using this document, consult with your NCR representative or NCR office for information that is applicable and current.

Copyright © 2021  
By NCR Corporation  
Global Headquarters  
864 Spring St. NW  
Atlanta, GA 30308  
United States  
All Rights Reserved

---

## Revision Record

| Issue | Date     | Remarks     |
|-------|----------|-------------|
| A     | Dec 2021 | First Issue |
|       |          |             |
|       |          |             |



---

# Space Pole Adapter - SP1

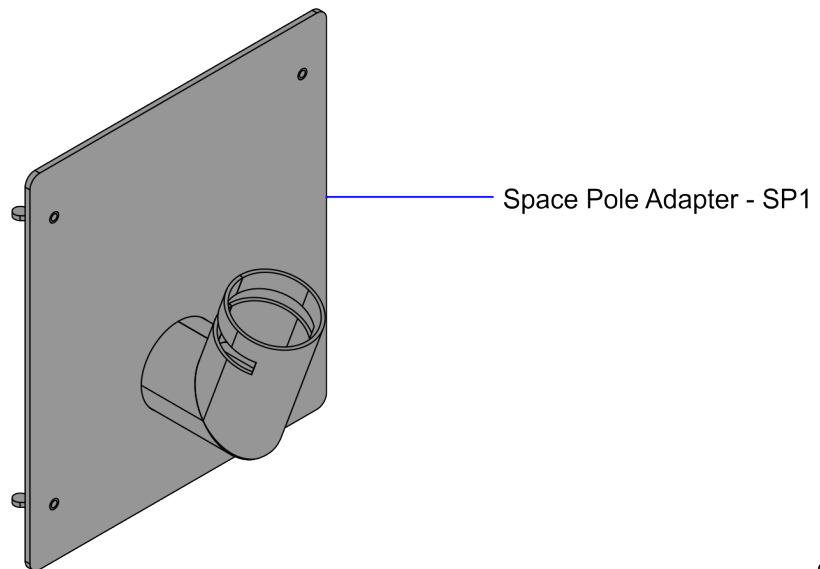
---

This publication provides procedures for installing the 7358-K400 Space Pole Adapter - SP1 to the NCR FastLane SelfServ™ Checkout (7358) R6L Plus unit.



**Note:** The PIN Pad Mount and PIN Pad device are not included in the 7358-K400 *Space Pole Adapter - SP1 Kit*. For more information, contact an NCR Customer Service Representative.

## Kit Contents



CCP-81105

| Part Number   | Description                        |
|---------------|------------------------------------|
| 497-0530241   | Space Pole Adapter (SP1)           |
| * 497-0423108 | Instructions Kit (Reference Sheet) |

\* Items marked with an asterisk are not called out on the image.

## Required Tools

The following tools are required for removing and installing the 7358-K400 Space Pole Adapter - SP1.

- Phillips Screwdriver #2
- #8-32 Nut Driver



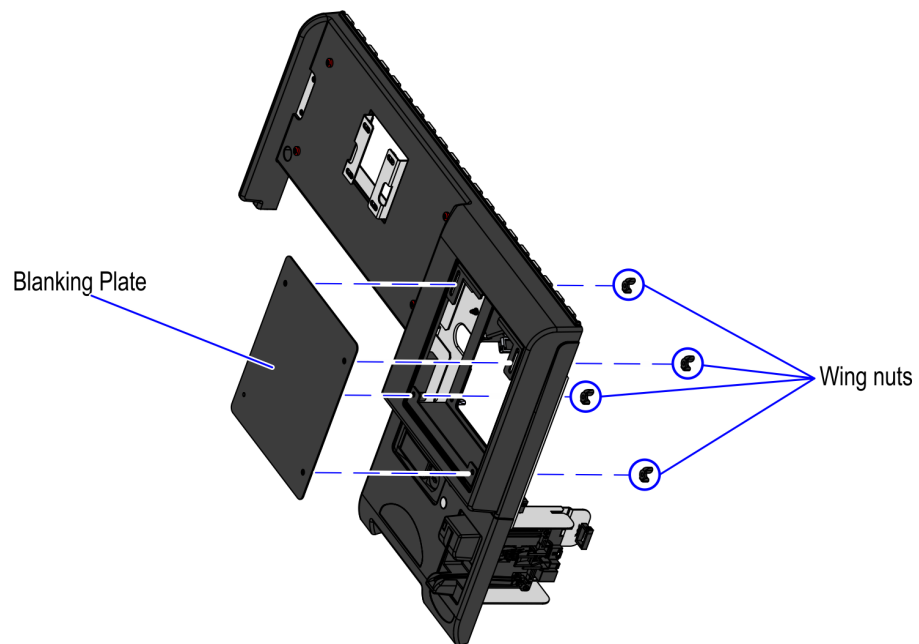
**Note:** Use a magnetized screwdriver to easily handle the screws.

# Installation Procedures

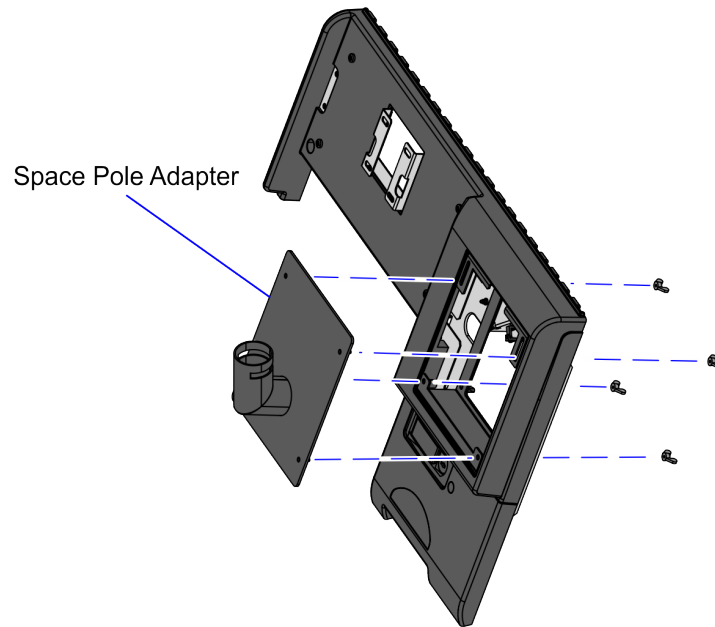
To install the 7358-K400 Space Pole Adapter - SP1 to the NCR FastLane SelfServ™ Checkout (7358) R6L Plus unit, follow these steps:

1. Turn off the NCR SelfServ Checkout software and hardware systems.
2. Open the Upper Cabinet Door. For more information, refer to [Opening Tower Cabinet](#) on page 5.
3. Remove four (4) wing nuts to detach the PIN Pad Blanking Plate or the existing Space Pole Adapter from the Upper Cabinet Door.

**Example:** The image below shows the PIN Pad Blanking Plate being removed.



- Align the Space Pole Adapter to the PIN Pad slot on the Upper Cabinet Door and then secure using four (4) wing nuts. Ensure that the orientation of the Space Pole Adapter is the same with the image shown below.



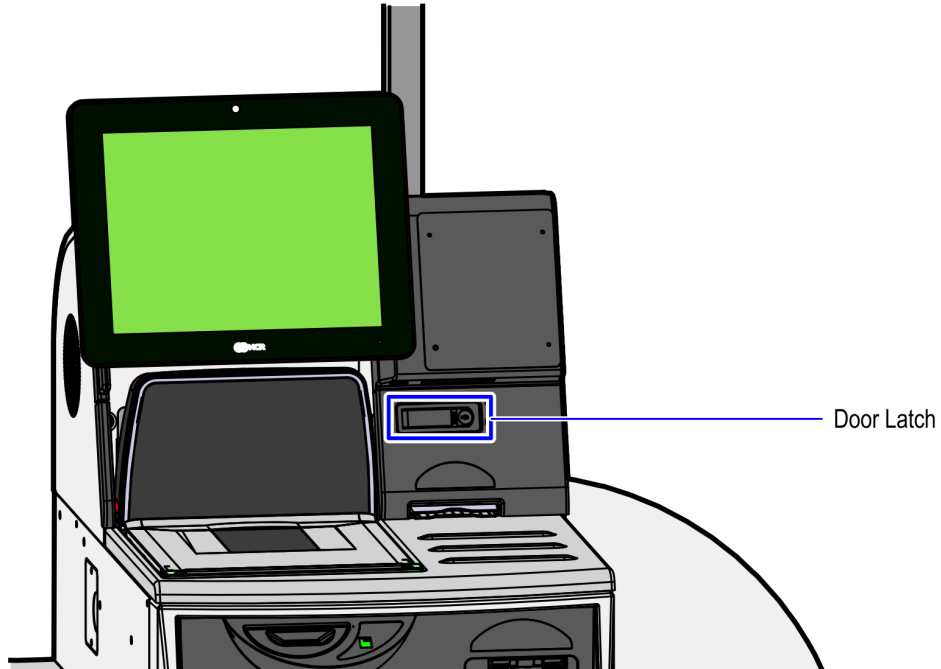
CCP-81115



## Opening Tower Cabinet


To open the Tower Cabinet, follow these steps:

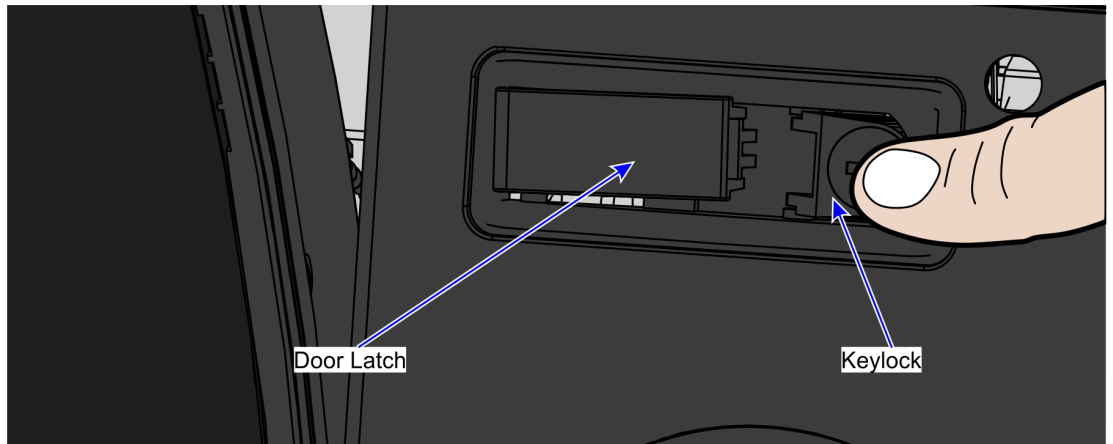
1. Insert the key into the door latch lock and turn key counterclockwise.



CCP-74762

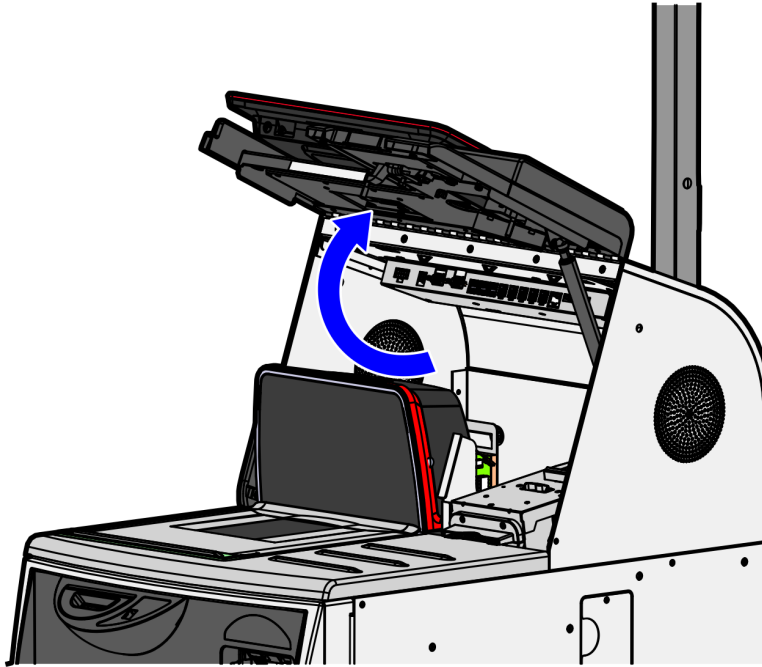
2. Remove the key and then press the keylock to unlatch the door.

 **Caution:** Ensure that the door is pushed down while lock is pressed because the door will automatically open.



CCP-72718

3. Raise the Tower Cabinet door.



CCP-74776