

Kit Instructions

Green Tri-Light/Lane Light Assembly with Cable



7358-K164
Issue A



The product described in this document is a licensed product of NCR Corporation.

NCR is a registered trademark of NCR Corporation. NCR FastLane SelfServ™ Checkout is a trademark of NCR Corporation in the United States and/or other countries. Other product names mentioned in this publication may be trademarks or registered trademarks of their respective companies and are hereby acknowledged.

The terms HDMI and HDMI High-Definition Multimedia Interface, and the HDMI Logo are trademarks or registered trademarks of HDMI Licensing LLC in the United States and other countries.

Where creation of derivative works, modifications or copies of this NCR copyrighted documentation is permitted under the terms and conditions of an agreement you have with NCR, NCR's copyright notice must be included.

It is the policy of NCR Corporation (NCR) to improve products as new technology, components, software, and firmware become available. NCR, therefore, reserves the right to change specifications without prior notice.

All features, functions, and operations described herein may not be marketed by NCR in all parts of the world. In some instances, photographs are of equipment prototypes. Therefore, before using this document, consult with your NCR representative or NCR office for information that is applicable and current.

To maintain the quality of our publications, we need your comments on the accuracy, clarity, organization, and value of this book. Please use the link below to send your comments.

Email: FD230036@ncr.com

Copyright © 2020
By NCR Corporation
Global Headquarters
864 Spring St. NW
Atlanta, GA 30308
United States
All Rights Reserved

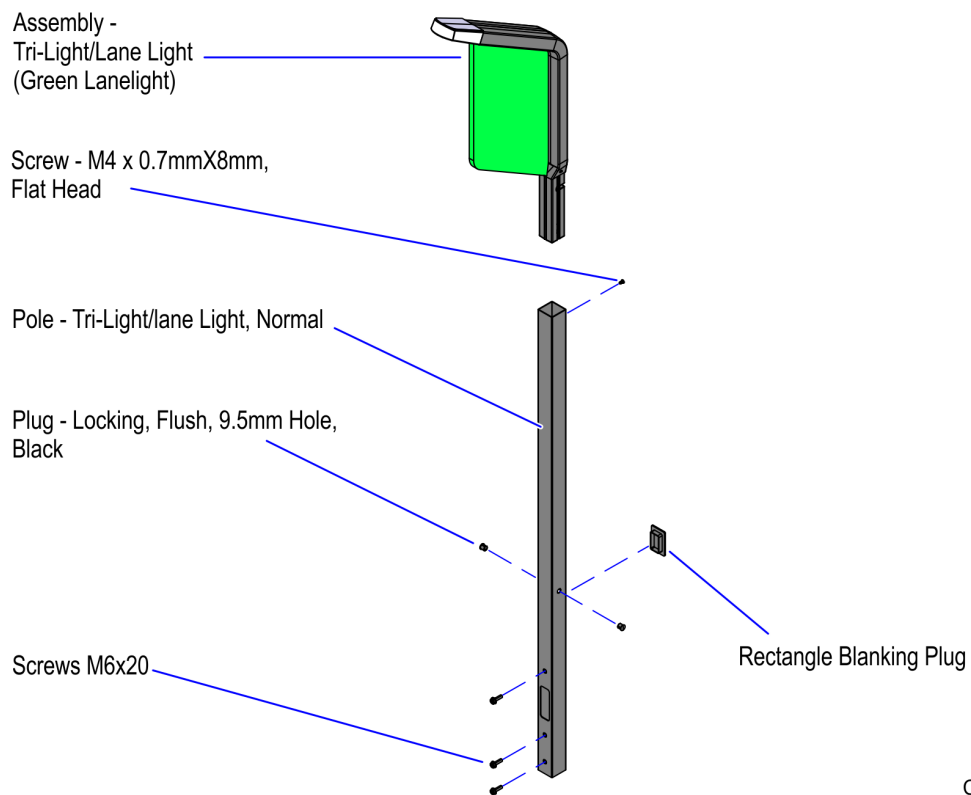
Revision Record

Issue	Date	Remarks
A	Feb 2020	First Issue

Green Tri-Light/Lane Light Assembly with Cable

This publication provides procedures for installing a Green Tri-Light/Lane Light Assembly with Cable to an NCR FastLane SelfServ™ Checkout (7358) R6L Plus unit.

Kit Contents



CCP-78072

Part Number	Description
497-0527817	Kit - Green Tri-Light with Pole and Cable
497-0527736	Assembly - Tri-Light/Lane Light (Green Lane Light)
* 497-0523835	Cable - Tri-Light/Lane Light Extender
006-8623599	Plug - Locking, Flush, 9.5 mm Hole, Black (2 pcs)
006-8624305	Rectangle Blanking Plug (42 x 23.8 mm)

Part Number	Description
006-8624498	Screw - M4 x 0.7 x 8 mm, Flat Head, Stainless
009-0006598	Screws M6 x 20 (2 pcs)
497-0521360	Tri-Light Pole - R6L Plus
* 497-0423108	Instructions-Kit (Reference Sheet)

* Items marked with an asterisk are not called out on the image.

Installation Procedures

Installing the Green Tri-Light/Lane Light Assembly involves the following procedures:

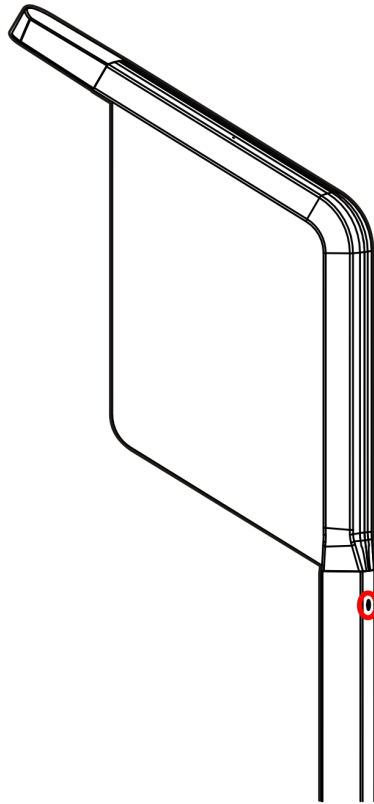
- [Removing Tri-Light/Lane Light Assembly](#) on the next page.
- [Removing Tri-Light/Lane Light Pole](#) on page 8.
- [Installing Tri-Light/Lane Light Pole](#) on page 9.
- [Installing Tri-Light/Lane Light Assembly](#) on page 11.

Removing Tri-Light/Lane Light Assembly

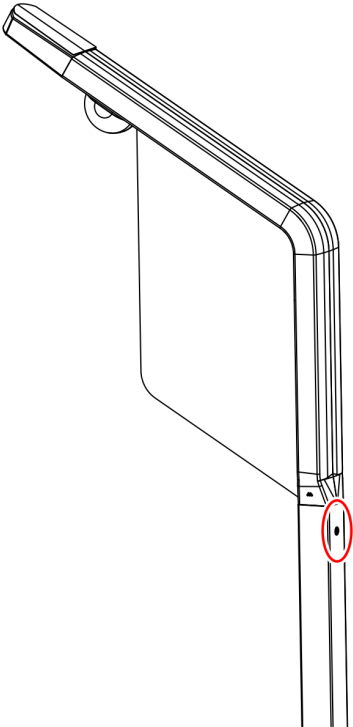
To remove the Tri-Light/Lane Light assembly (with or without Camera), follow these steps:

1. Turn off the R6L Plus software and hardware systems. For more information, refer to *NCR FastLane SelfServ™ Checkout (7358) Hardware Service Guide (BCC5-0000-5265)*.
2. Remove the screw securing the Tri-Light/Lane Light Assembly to the Tri-Light/Lane Light pole.

Tri-Light/Lane Light Assembly

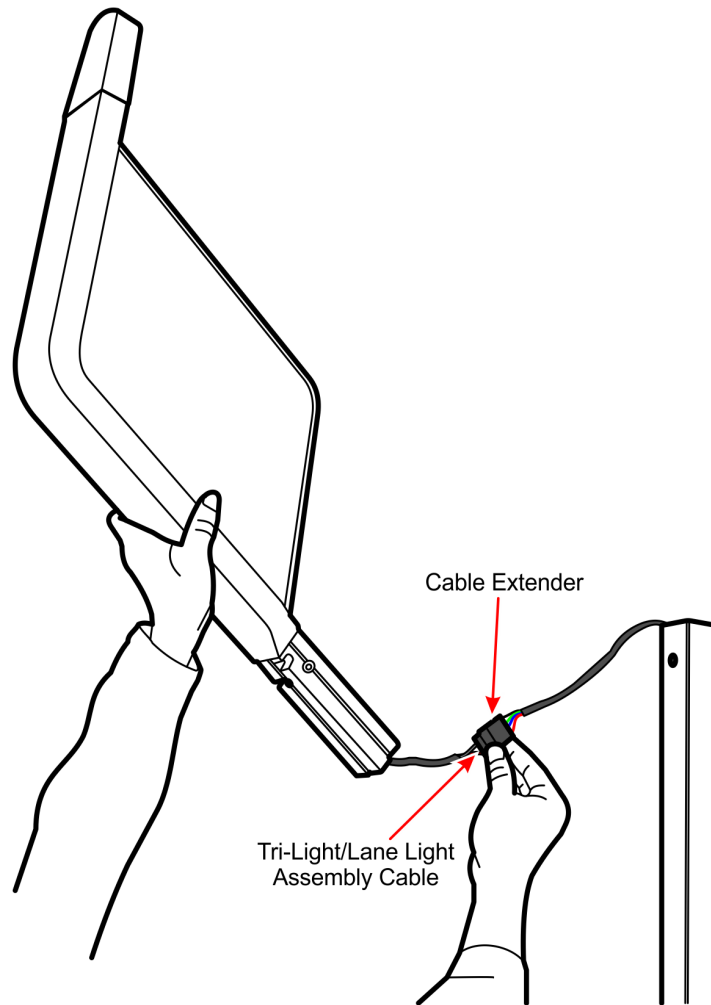


Tri-Light/Lane Light with Camera Assembly



3. Lift the Tri-Light/Lane Light Assembly and then disconnect the cables.

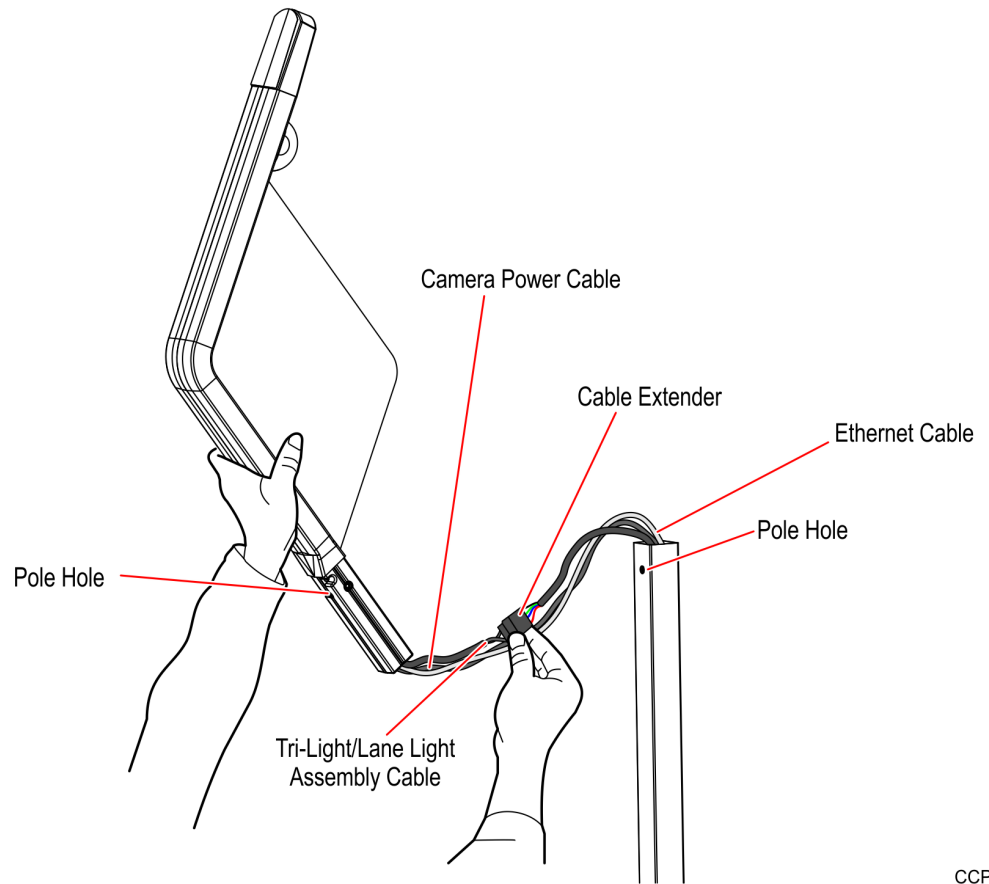
Tri-Light/Lane Light Assembly



Tri-Light/Lane Light with Camera Assembly



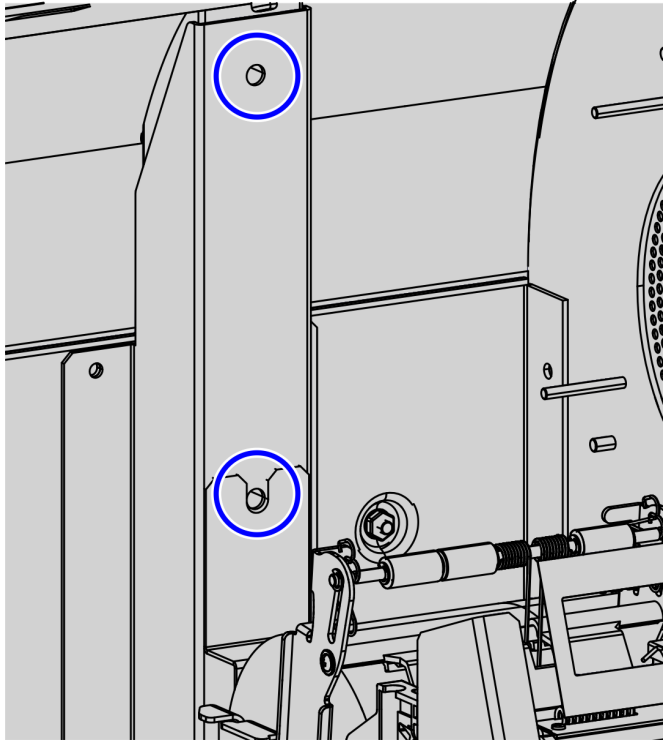
Note: The assembly has cable ties that provide strain relief for the connectors. Cut these cable ties before disconnecting the connectors.



Removing Tri-Light/Lane Light Pole

To remove the Tri-Light/Lane Light pole, follow these steps:

1. Remove the existing Tri-Light/Lane Light assembly, if necessary. For more information, refer to [Removing Tri-Light/Lane Light Assembly](#) on page 4.
2. Remove two screws securing the pole to the unit.



CCP-72722

3. Disconnect the Tri-Light/Lane Light cable from the I/O Box.
4. Carefully lift the pole out of the unit.

Installing Tri-Light/Lane Light Pole

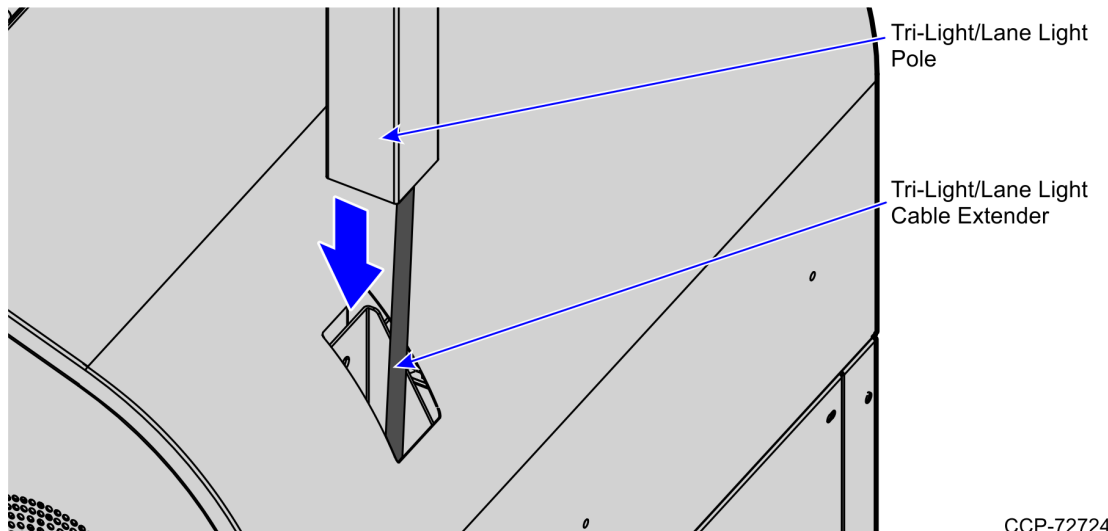
To install the Tri-Light/Lane Light pole, follow these steps:

1. Insert the Tri-Light/Lane Light cable extender through the Tri-Light/Lane Light pole.



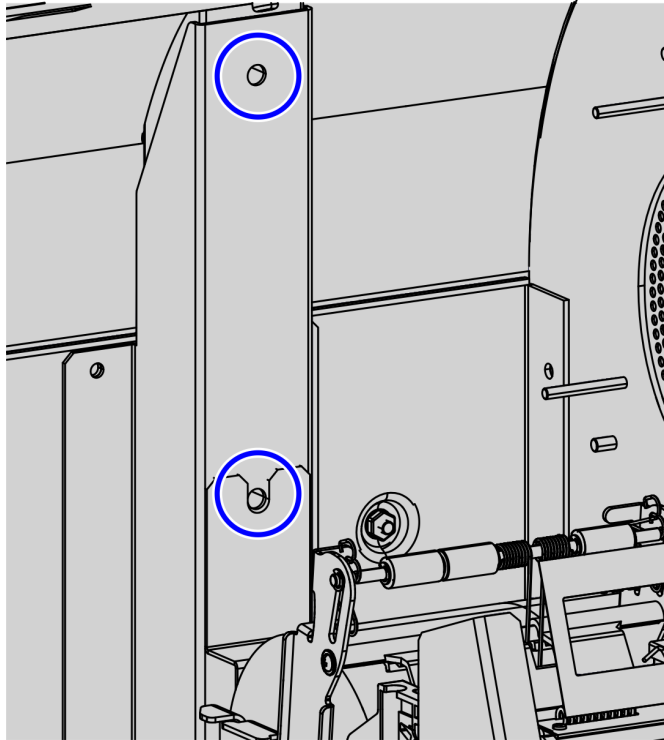
Tip: To make routing the cable extender through the pole easier, first attach a weight (for example, a large bolt) to a long piece of string and drop the weighted end of the string through the Tri-Light/Lane Light pole (starting at the top-end). Once the string is threaded through the pole, tie the non-weighted end of the string around the cable connector and then pull the cable extender through the pole.

2. Carefully insert the pole into the Upper Cabinet.



CCP-72724

3. Secure the pole to the Upper Cabinet using two screws.



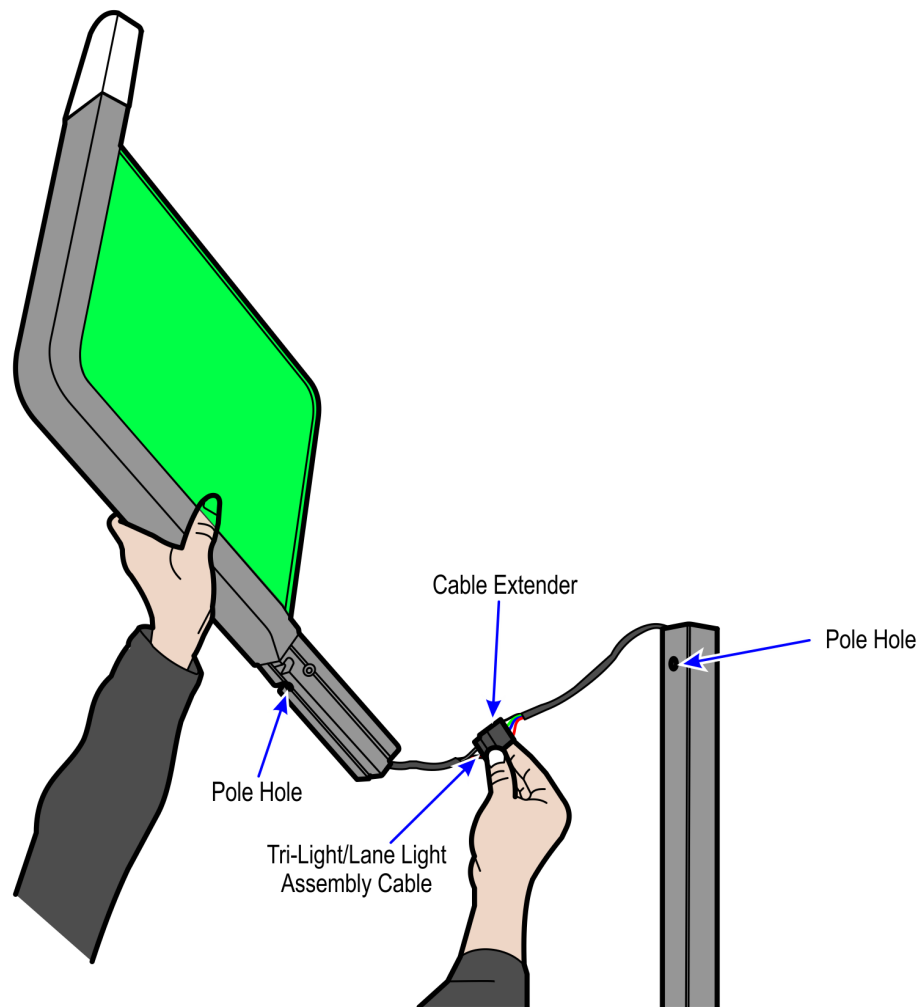
CCP-72722

4. Install the Tri-Light/Lane Light assembly.

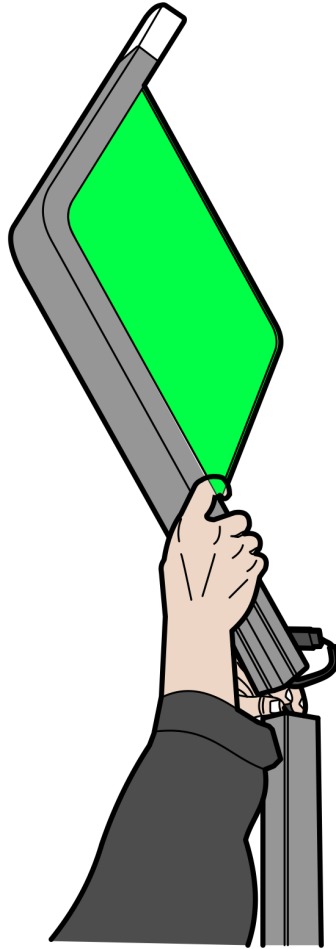
Installing Tri-Light/Lane Light Assembly

To install the Tri-Light/Lane Light assembly, follow these steps:

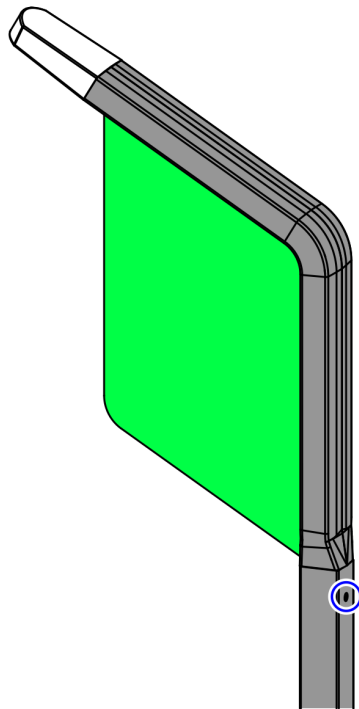
1. Install the Tri-Light/Lane Light pole. For more information, refer to [Installing Tri-Light/Lane Light Pole](#) on page 9.
2. Connect the Tri-Light/Lane Light assembly cable with the cable extender in the pole.



3. Orient the Trilight/Lane Light assembly so that the Lane Light faces the front of the unit.
4. Insert the Tri-Light/Lane Light assembly into the Tri-Light/Lane Light pole. Ensure that the pole holes are aligned.



5. Secure the Tri-Light/Lane Light assembly to the pole with a screw.



CCP-78075

6. Run the ADD utility to ensure device is updated with the latest firmware.