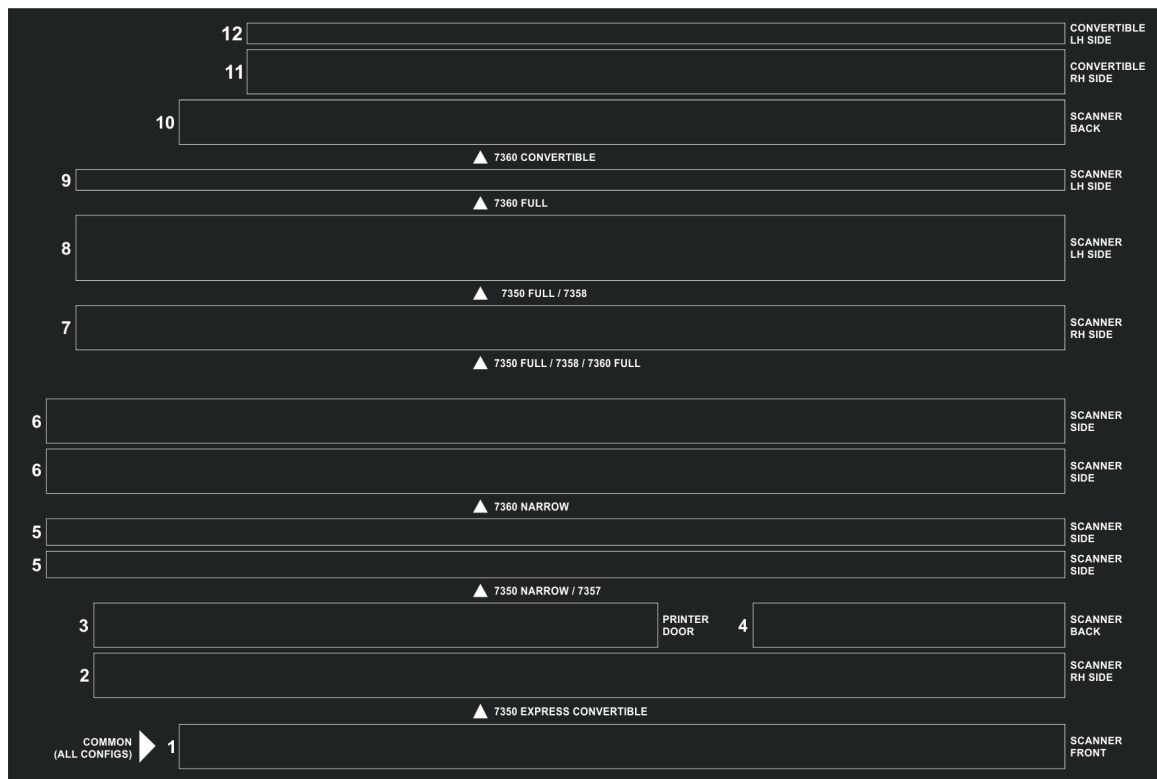


# Kit Instructions

## Scanner/Scale Demarcation Labels



7358-K100  
Issue A



---

The product described in this document is a licensed product of NCR Corporation.

NCR is a registered trademark of NCR Corporation. NCR FastLane SelfServ™ Checkout is a trademark of NCR Corporation in the United States and/or other countries. Other product names mentioned in this publication may be trademarks or registered trademarks of their respective companies and are hereby acknowledged.

The terms HDMI and HDMI High-Definition Multimedia Interface, and the HDMI Logo are trademarks or registered trademarks of HDMI Licensing LLC in the United States and other countries.

Where creation of derivative works, modifications or copies of this NCR copyrighted documentation is permitted under the terms and conditions of an agreement you have with NCR, NCR's copyright notice must be included.

It is the policy of NCR Corporation (NCR) to improve products as new technology, components, software, and firmware become available. NCR, therefore, reserves the right to change specifications without prior notice.

All features, functions, and operations described herein may not be marketed by NCR in all parts of the world. In some instances, photographs are of equipment prototypes. Therefore, before using this document, consult with your NCR representative or NCR office for information that is applicable and current.

To maintain the quality of our publications, we need your comments on the accuracy, clarity, organization, and value of this book. Please use the link below to send your comments.

Email: [FD230036@ncr.com](mailto:FD230036@ncr.com)

Copyright © 2020  
By NCR Corporation  
Global Headquarters  
864 Spring St. NW  
Atlanta, GA 30308  
United States  
All Rights Reserved

## Revision Record

Issue	Date	Remarks
A	May 2020	First Issue

---

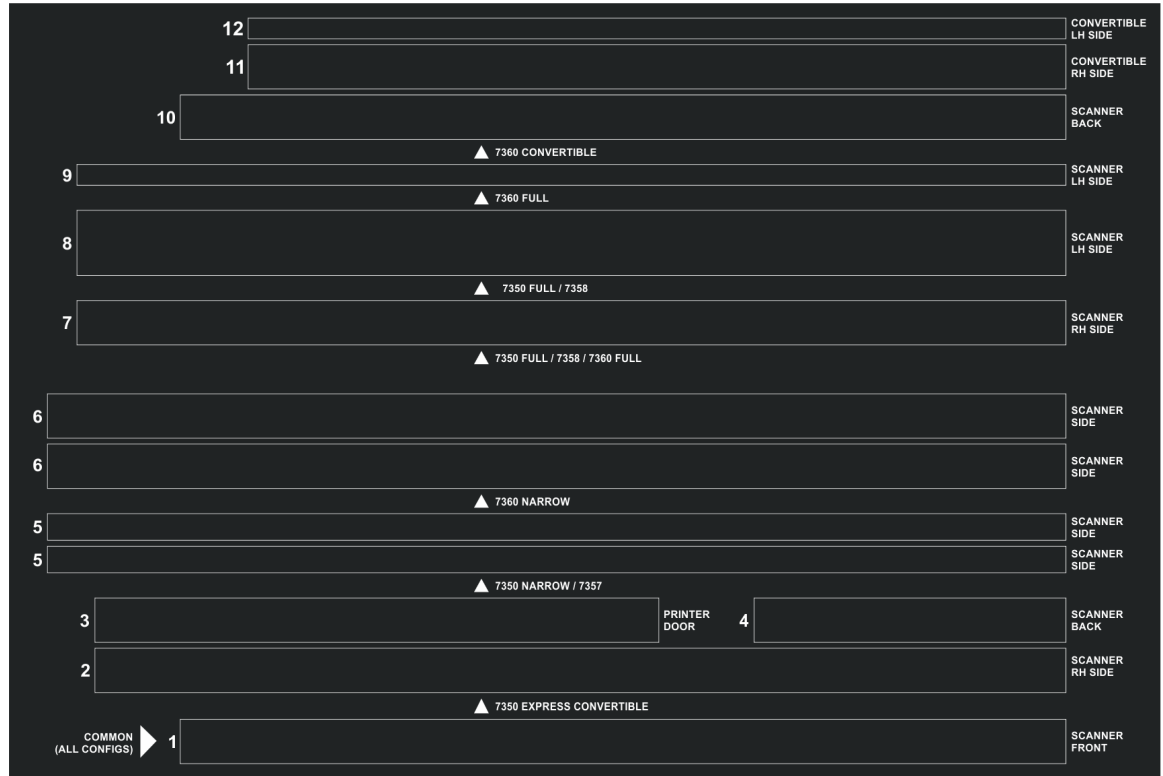
# Scanner/Scale Demarcation Label

---

This publication provides procedures for installing Scanner/Scale Demarcation Labels on any of the following SelfServ Checkout units:

SelfServ Checkout Unit	Configuration		
	Standard	Narrow Core	Convertible
NCR SelfServ™ Checkout (7350)	Yes	Yes	Yes
NCR FastLane SelfServ™ Checkout (7357)	No	Yes	No
NCR FastLane SelfServ™ Checkout (7358)	Yes	No	No
NCR FastLane SelfServ™ Checkout (7360)	Yes	Yes	Yes

# Kit Contents



Part Number	Description
497-0527999	7358-K100 Kit, Scanner/Scale Demarcation Label
497-0527804	Label Set - Scanner/Scale Demarcation, UK, SSCO (25 pcs)
* 497-0423108	Kit Instructions (Reference Sheet)

\* Items marked with an asterisk are not called out on the image.

# Installation Procedures

To attach the Scanner/Scale Demarcation Labels, follow these steps:

1. Identify which label set is needed for the SelfServ Checkout unit. Refer to the group of label numbers listed on the table below.



**Note:** Each label is numbered on the left side of the label sheet.

SelfServ Checkout Unit	Configuration	Required Label Numbers	Prerequisites
NCR SelfServ™ Checkout (7350)	Standard	1, 7, 8	none
	Narrow Core	1, 5, 5	none
	Convertible	1, 2, 3, 4	none
NCR FastLane SelfServ™ Checkout (7357)	Narrow Core	1, 5, 5	none
NCR FastLane SelfServ™ Checkout (7358)	Standard	1, 7, 8	none
NCR FastLane SelfServ™ Checkout (7360)	Standard	1, 7, 9	none
	Narrow Core	1, 6, 6	none
	Convertible	10, 11, 12	1, 7, 9

2. Attach the selected label set around the Scanner/Scale. Refer to any of the following procedures:

- [Installing Scanner/Scale Demarcation Labels on Standard Configuration](#) on page 5.



**Note:** This procedure is only applicable for NCR SelfServ™ Checkout (7350), NCR FastLane SelfServ™ Checkout (7358) and NCR FastLane SelfServ™ Checkout (7360) units.

- [Installing Scanner/Scale Demarcation Labels on Narrow Core Configuration](#) on page 11.



**Note:** This procedure is only applicable for NCR SelfServ™ Checkout (7350), NCR FastLane SelfServ™ Checkout (7357) and NCR FastLane SelfServ™ Checkout (7360) units.

- [Installing Scanner/Scale Demarcation Labels on Convertible Configuration](#) on page 17.



**Note:** This procedure is only applicable for NCR SelfServ™ Checkout (7350) and NCR FastLane SelfServ™ Checkout (7360) units .

## Installing Scanner/Scale Demarcation Labels on Standard Configuration

To attach the Scanner/Scale Demarcation Labels on a Standard SelfServ Checkout unit, follow these steps:



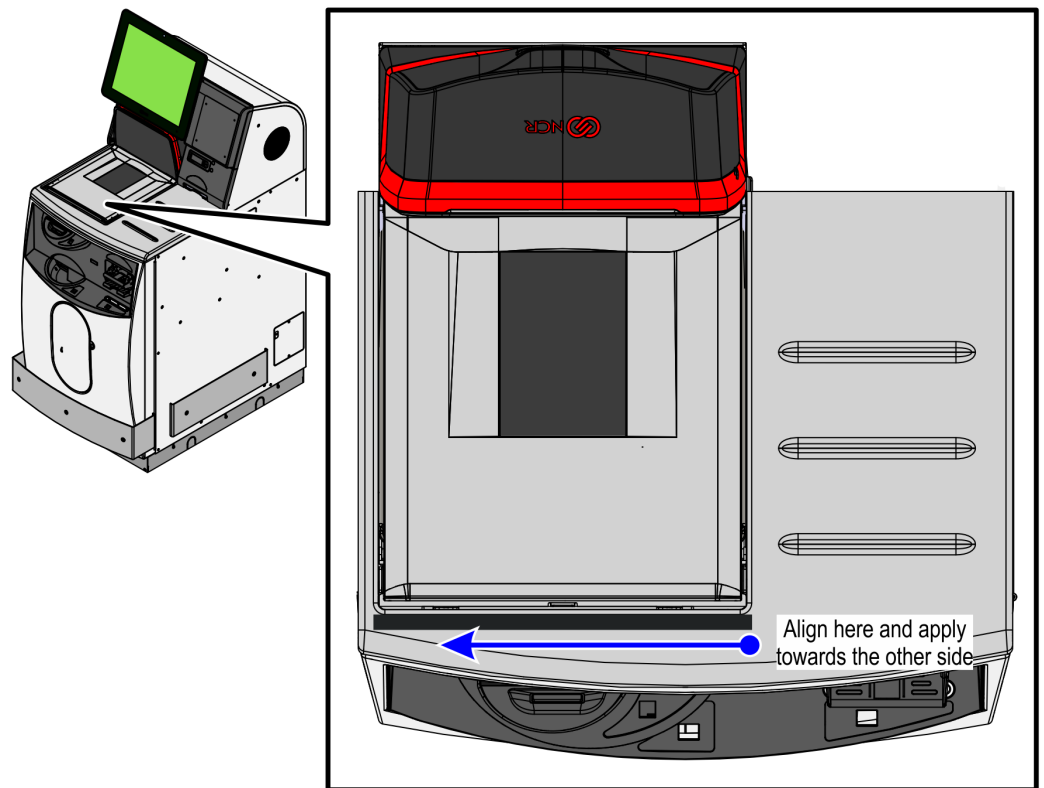
**Note:** This procedure is only applicable for NCR SelfServ™ Checkout (7350), NCR FastLane SelfServ™ Checkout (7358) and NCR FastLane SelfServ™ Checkout (7360) units.

1. Attach the "Scanner Front" label by doing the following:
  - a. Remove the "Scanner Front" label from the label sheet.

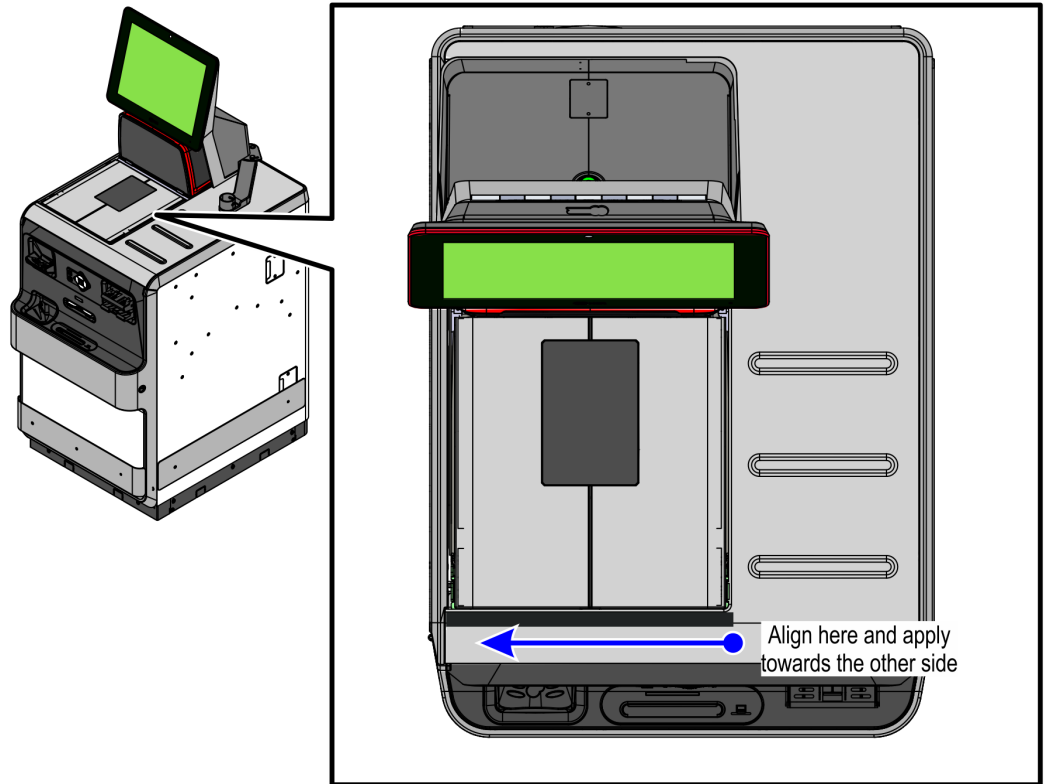


- b. Position and attach the "Scanner Front" label starting from the right edge of the Scanner/Scale towards the other side of the Scanner/Scale, as shown in the image below.

### ***7350 and R6L Plus (7358) SelfServ Checkout Units***



### 7360 SelfServ Checkout Unit



CCP-78681

- 2. Attach the side labels by doing the following:
  - a. Remove the labels from the label sheet.



CCP-78664

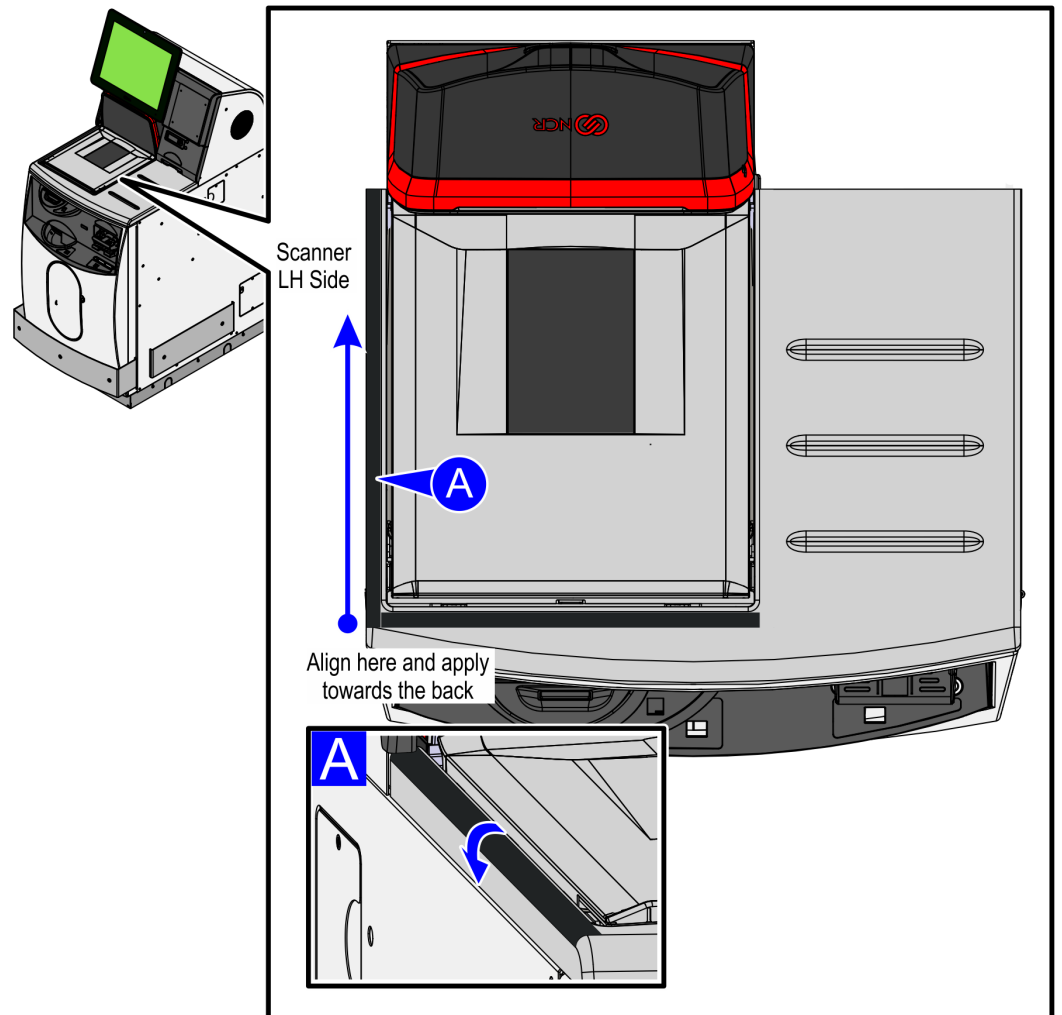


- b. Position and attach the "Scanner LH Side" label starting from the outer left side of the "Scanner Front" label towards the back of the Scanner/Scales, as shown in the image below.

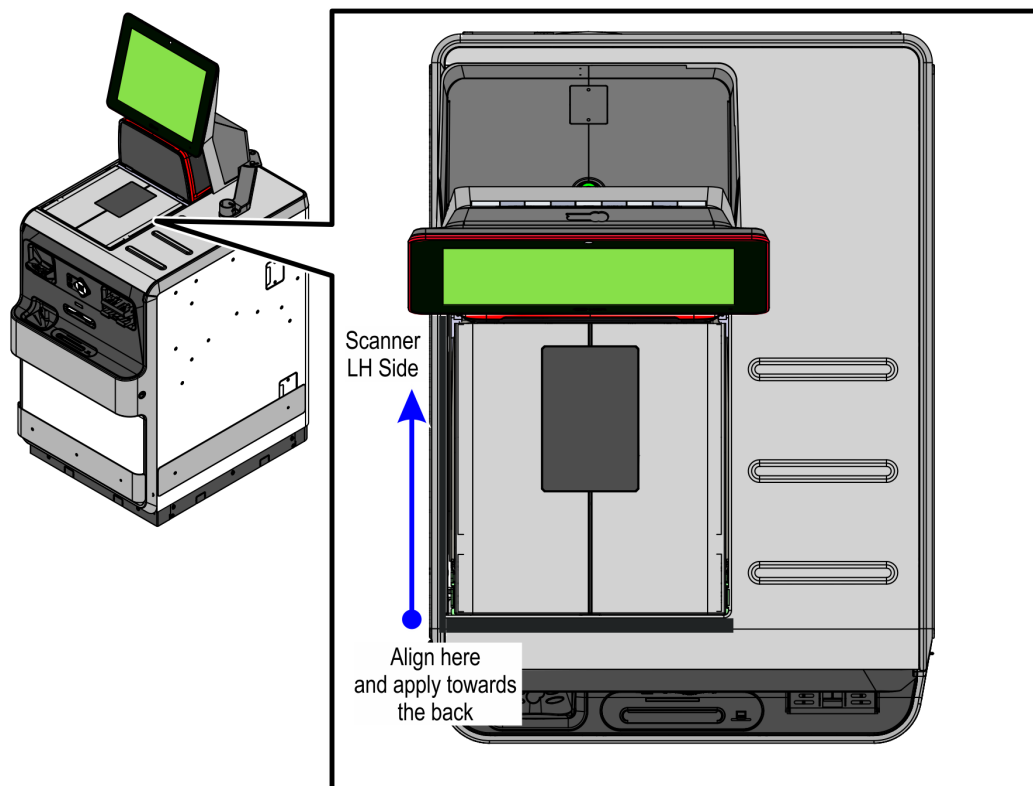
### **7350 and R6L Plus (7358) SelfServ Checkout Units**



**Note:** For 7350 and R6L Plus SelfServ Checkout units, the "Scanner LH Side" label also covers the curved edge of the Top Plate.

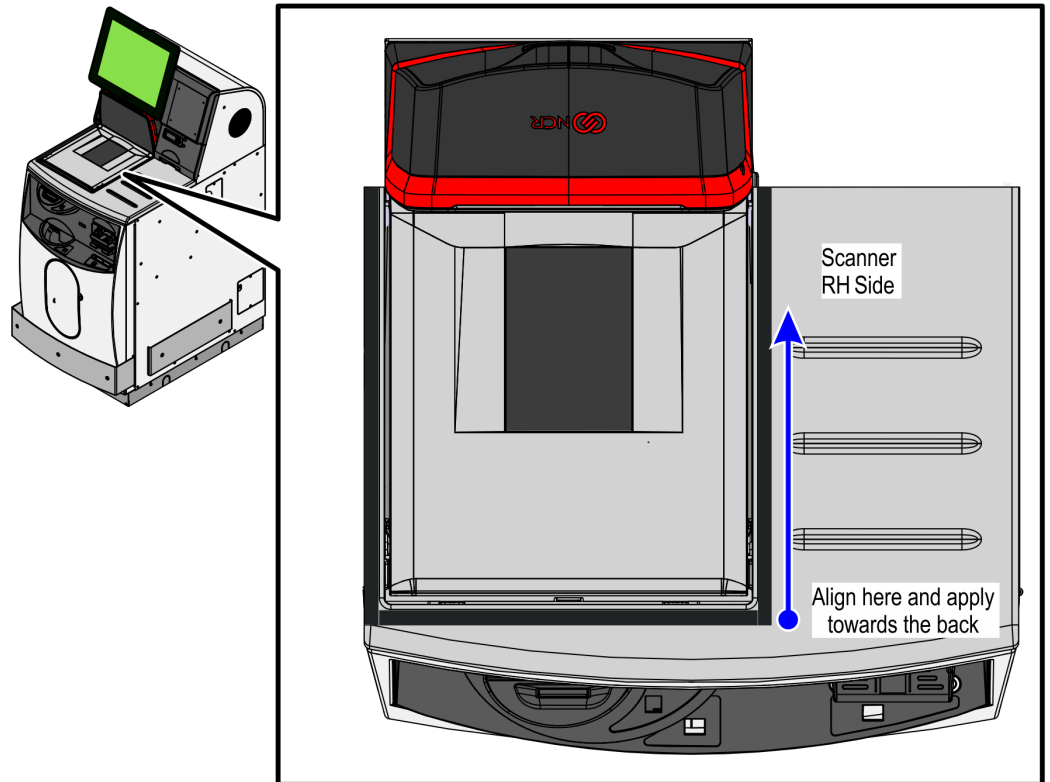


### 7360 SelfServ Checkout Unit



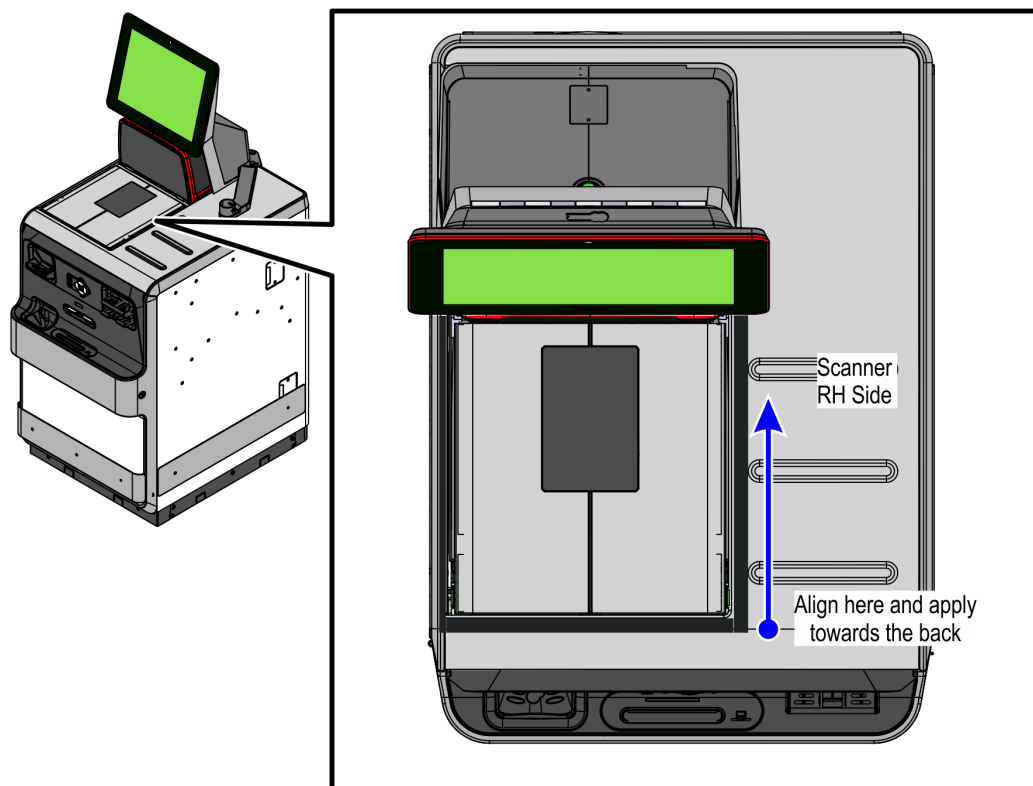
- c. Position and attach the "Scanner RH Side" label starting from the outer right side of the "Scanner Front" label towards the back of the Scanner/Scale, as shown in the image below.

**7350 and R6L Plus (7358) SelfServ Checkout Units**



CCP-78666

### 7360 SelfServ Checkout Unit



## Installing Scanner/Scale Demarcation Labels on Narrow Core Configuration

To attach the Scanner/Scale Demarcation Labels on a Narrow Core SelfServ Checkout unit, follow these steps:



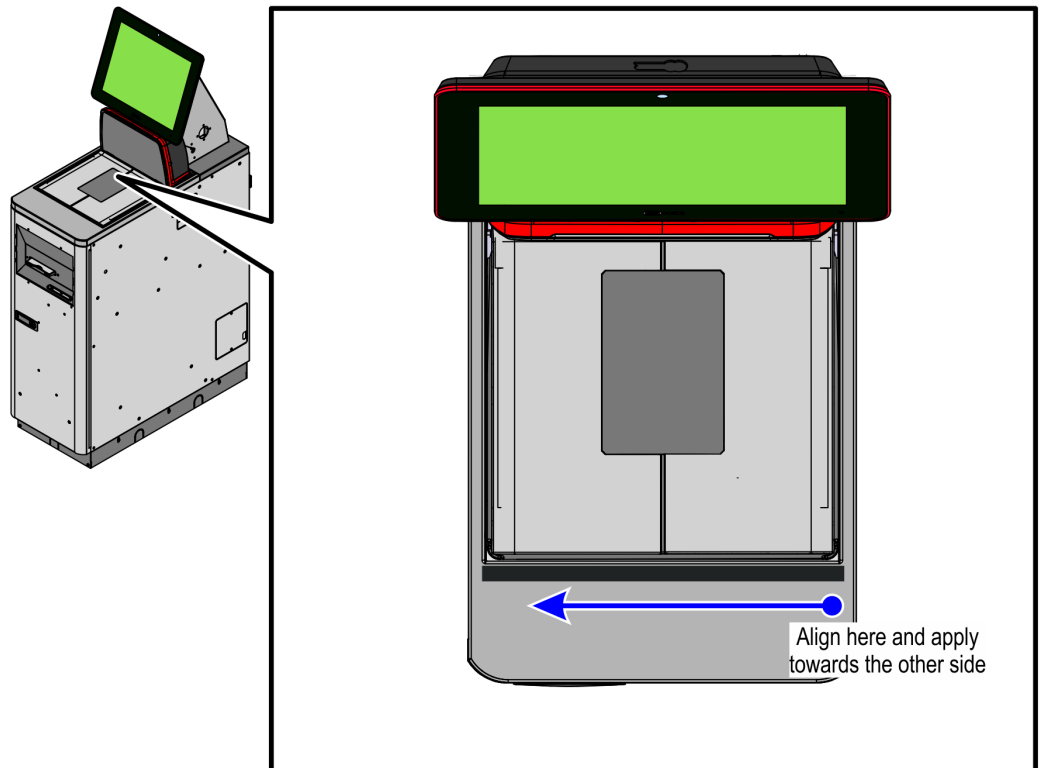
**Note:** This procedure is only applicable for NCR SelfServ™ Checkout (7350), NCR FastLane SelfServ™ Checkout (7357) and NCR FastLane SelfServ™ Checkout (7360) units.

1. Attach the "Scanner Front" label by doing the following:
  - a. Remove the "Scanner Front" label from the label sheet.

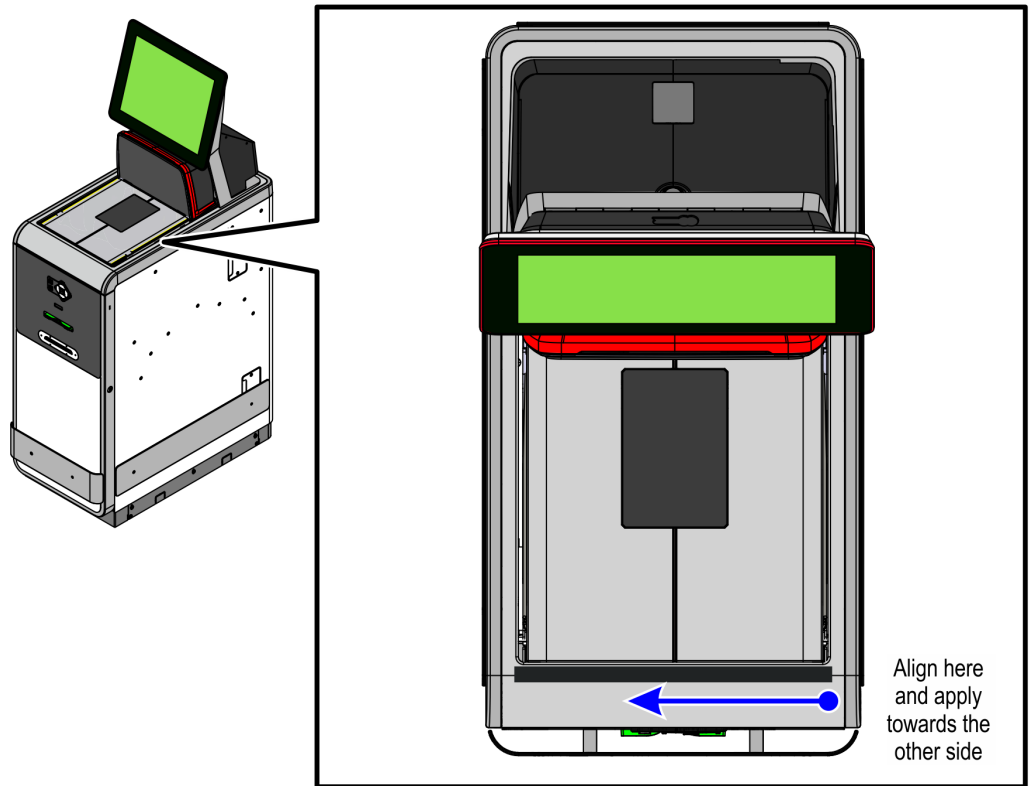


- b. Position and attach the "Scanner Front" label starting from the right edge of the Scanner/Scale towards the other side of the Scanner/Scale, as shown in the image below.

### ***7350 and 7357 SelfServ Checkout Units***



### 7360 SelfServ Checkout Units



CCP-78684

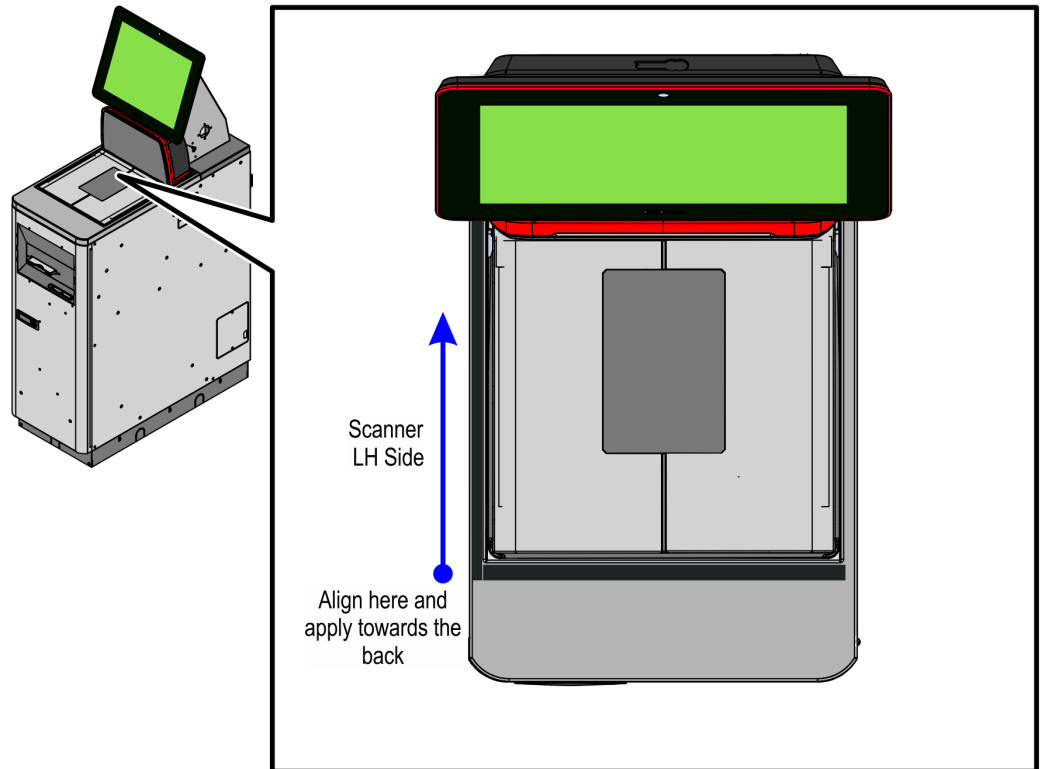
2. Attach the "Scanner LH Side" label by doing the following:
  - a. Remove the labels from the label sheet.



CCP-78668

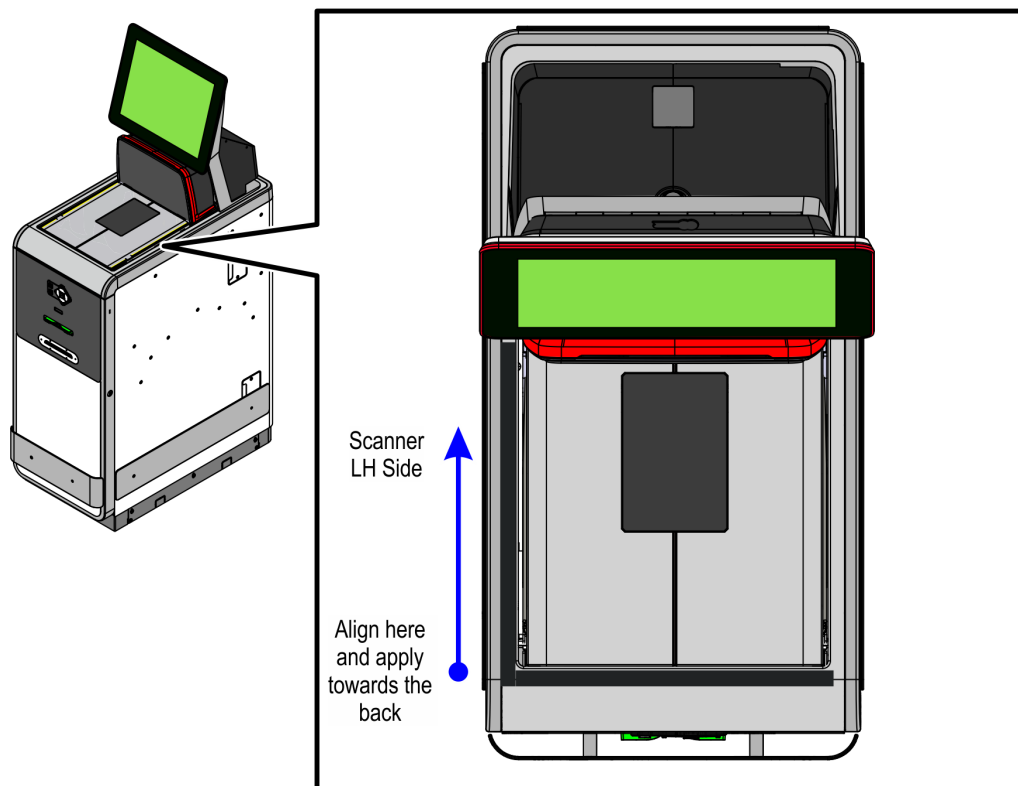
- b. Position and attach the "Scanner LH Side" label starting from the outer left side of the "Scanner Front" label towards the back of the Scanner/Scale, as shown in the image below.

**7350 and 7357 SelfServ Checkout Units**



CCP-78669

### 7360 SelfServ Checkout Unit

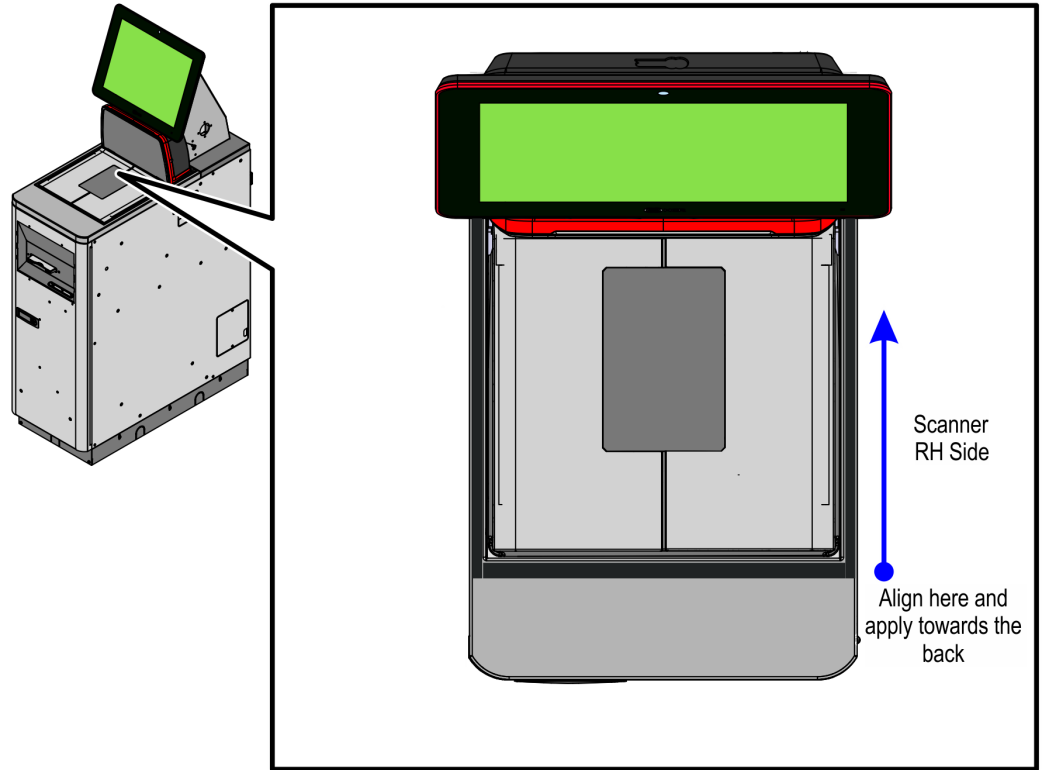


CCP-78685



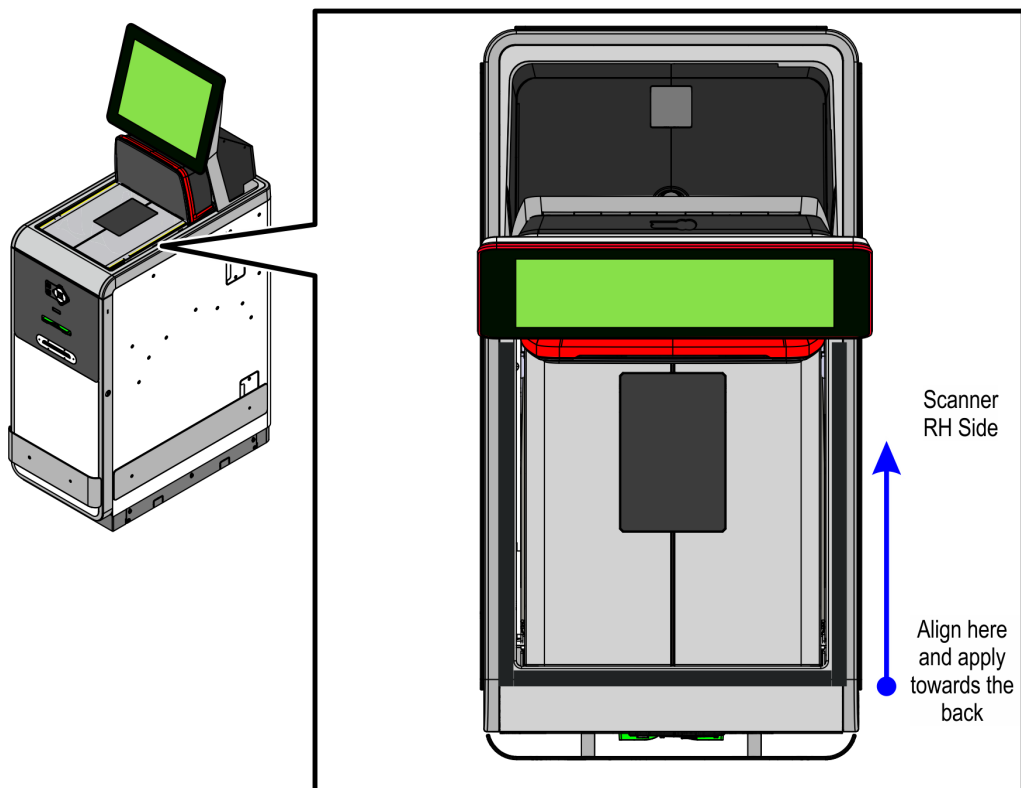
- c. Position and attach the "Scanner RH Side" label starting from the outer right side of the "Scanner Front" label towards the back of the Scanner/Scale, as shown in the image below.

**7350 and 7357 SelfServ Checkout Units**



CCP-78670

### 7360 SelfServ Checkout Unit



CCP-78686

## Installing Scanner/Scale Demarcation Labels on Convertible Configuration

Depending on the SelfServ Checkout unit, refer to the following procedures:

- [Installing Scanner/Scale Demarcation Labels on 7350 Convertible Units](#) on the next page.
- [Installing Scanner/Scale Demarcation Labels on 7360 Convertible Units](#) on page 22.

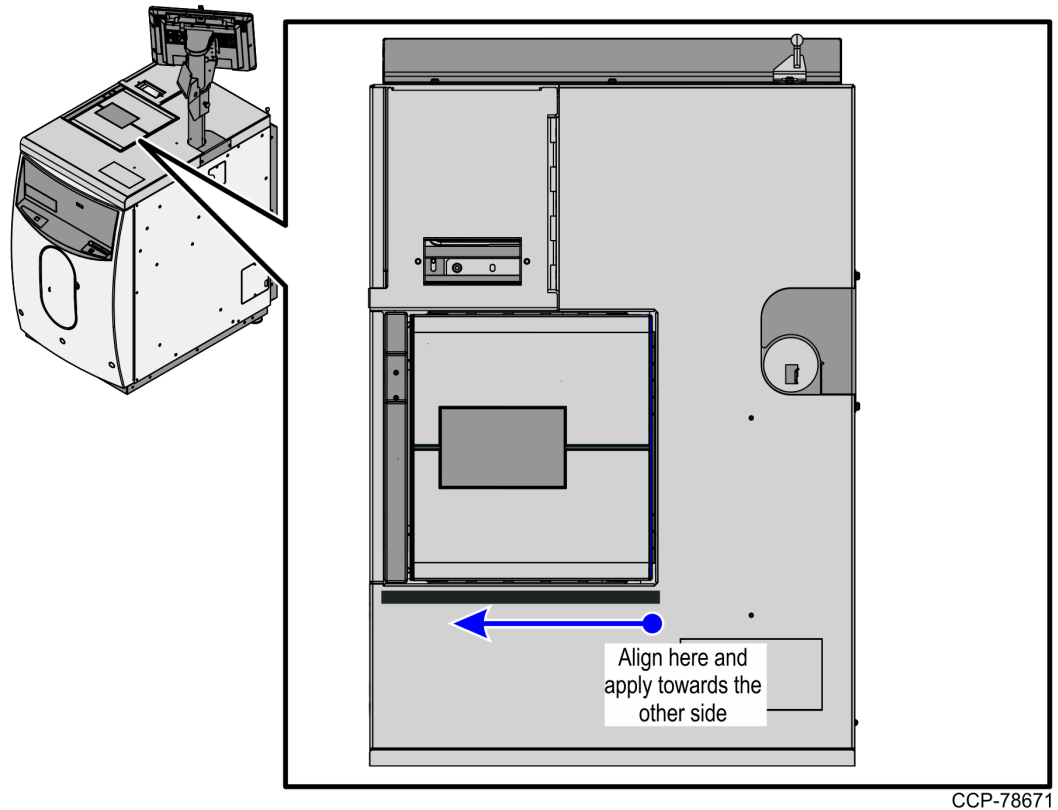
## Installing Scanner/Scale Demarcation Labels on 7350 Convertible Units

To attach the Scanner/Scale Demarcation Labels on a Convertible SelfServ Checkout unit, follow these steps:

1. Attach the "Scanner Front" label by doing the following:
  - a. Remove the "Scanner Front" label from the label sheet.



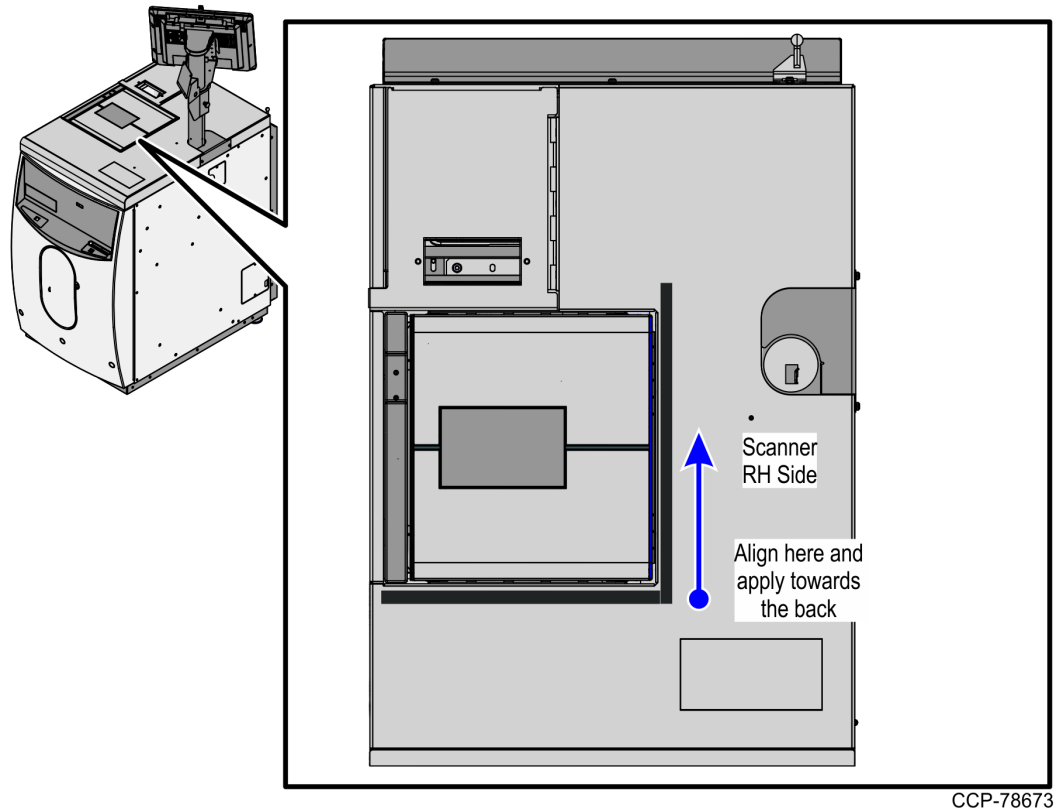
- b. Position and attach the "Scanner Front" label starting from the right edge of the Scanner/Scale towards the other side of the Scanner/Scale, as shown in the image below.



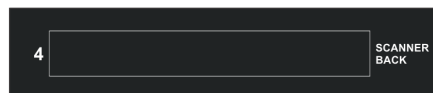
2. Attach the "Scanner RH Side" label by doing the following:
  - a. Remove the "Scanner RH Side" label from the label sheet.



- b. Position and attach the "Scanner RH Side" label starting from the right side of the outer edge of the "Scanner Front" label towards the back of the Scanner/Scale, as shown in the image below.

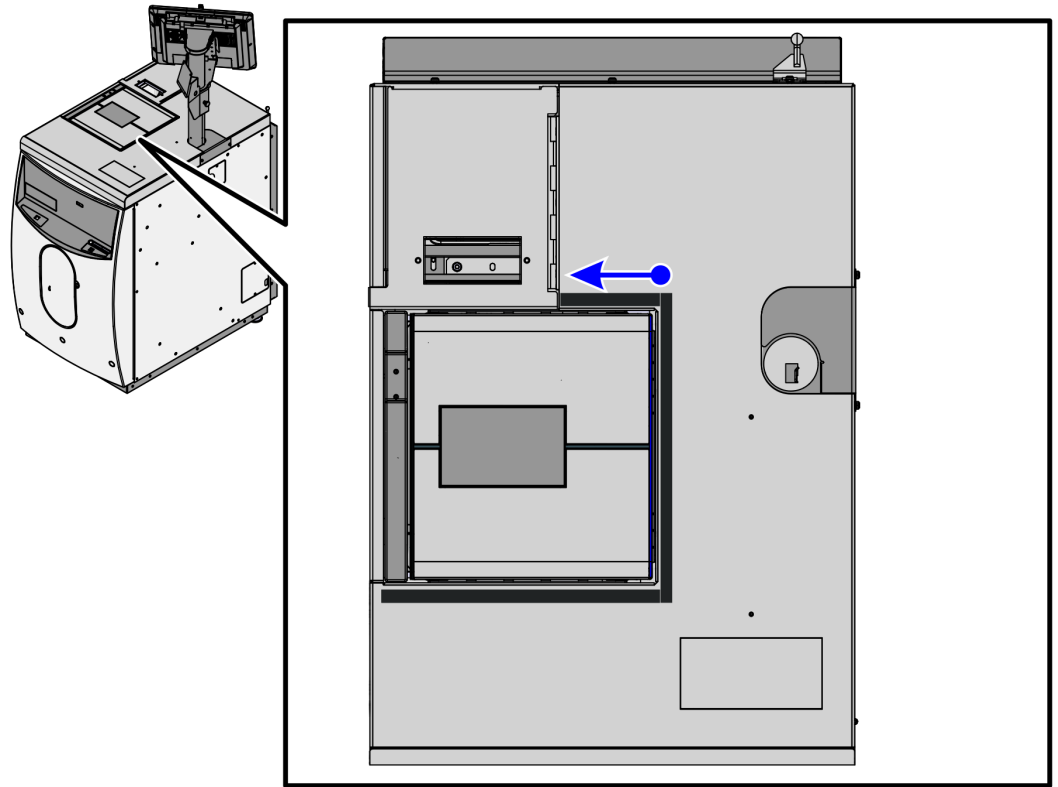


3. Attach the "Scanner Back" label by doing the following:
  - a. Remove the "Scanner Back" label from the label sheet.



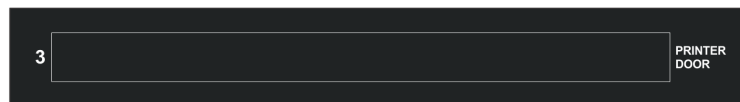
CCP-78674

- b. Position and attach the "Scanner Back" label starting from the left side of the outer edge of the "Scanner RH Side" label, as shown in the image below.



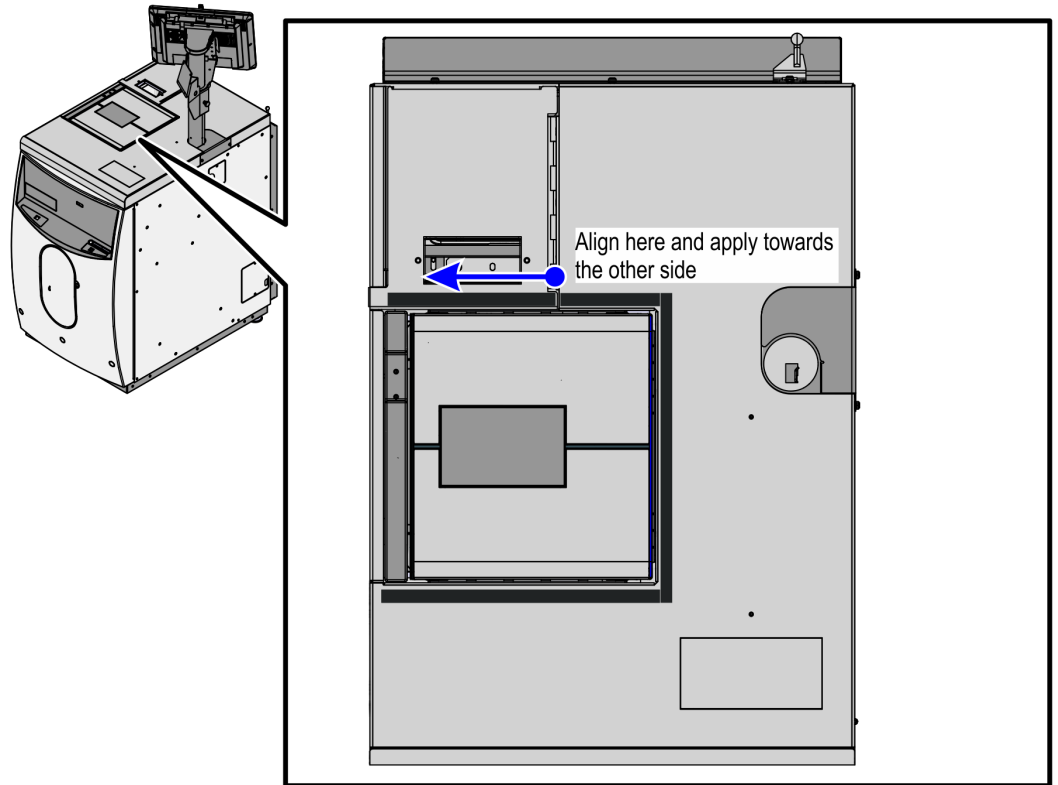
CCP-78675

4. Attach the "Printer Door" label by doing the following:
- a. Remove the "Printer Door" label from the label sheet.



CCP-78676

- b. Position and attach the "Printer Door" label starting from the end of the "Scanner Back" label towards the other side of the Scanner/Scale, as shown in the image below.



CCP-78677

## Installing Scanner/Scale Demarcation Labels on 7360 Convertible Units

To attach the Scanner/Scale Demarcation Labels on a Convertible SelfServ Checkout unit, follow these steps:



**Note:** Ensure that the Scanner/Scale Demarcation Labels for NCR FastLane SelfServ™ Checkout (7360) Standard Configuration is already applied before proceeding with this procedure. For more information, refer to [Installing Scanner/Scale Demarcation Labels on Standard Configuration](#) on page 5.

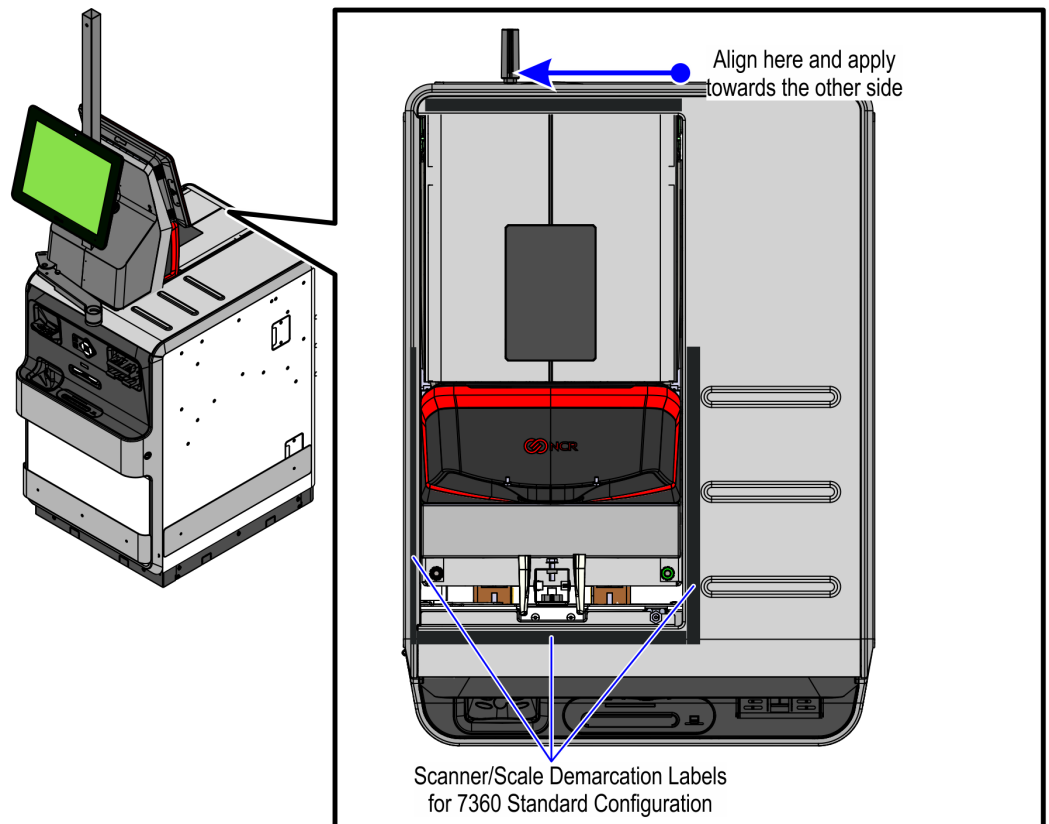
1. Attach the "Scanner Back" label by doing the following:
  - a. Remove the "Scanner Back" label from the label sheet.



- b. Position and attach the "Scanner Back" label starting from the left edge of the Scanner/Scale towards the other side of the Scanner/Scale, as shown in the image below.



**Note:** The NCR FastLane SelfServ™ Checkout (7360) Convertible unit is in assisted mode with the Scanner/Scale positioned at the back of the core.





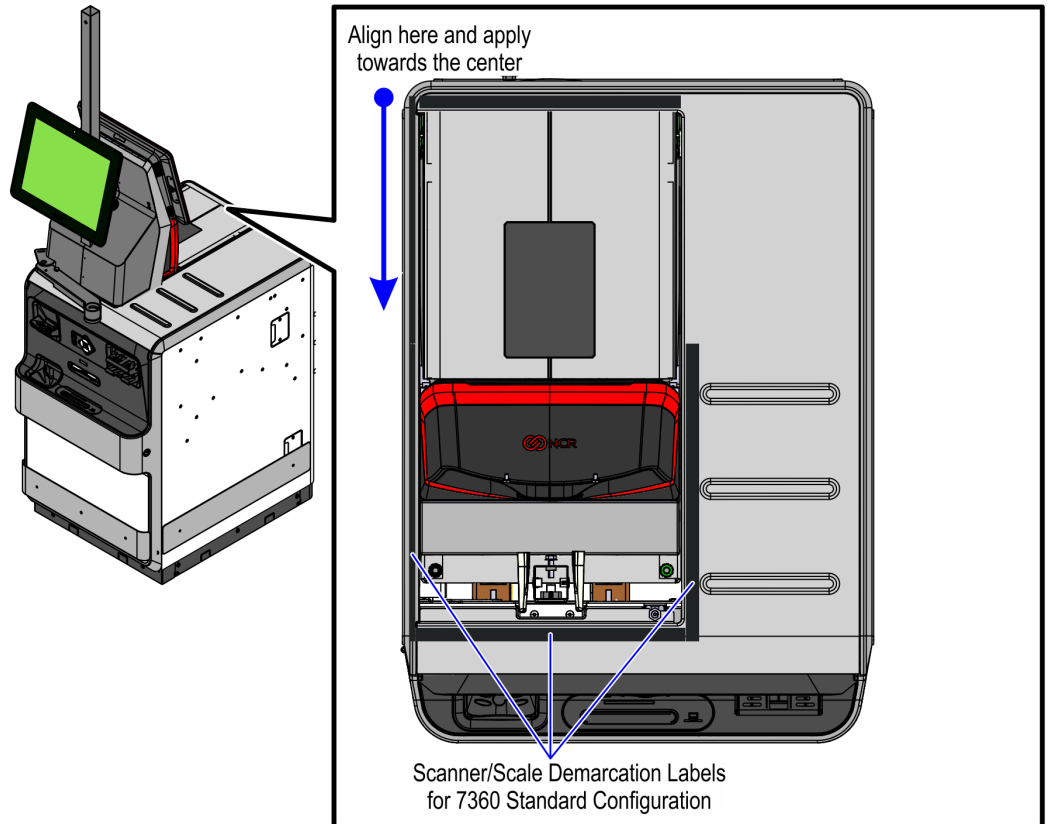
2. Attach the "Convertible LH Side" label by doing the following:
  - a. Remove the "Convertible LH Side" label from the label sheet.

12

CONVERTIBLE  
LH SIDE

CCP-78689

- b. Position and attach the "Convertible LH Side" label starting from the left outer side of the "Scanner Back" label towards the center, as shown in the image below.



CCP-78690

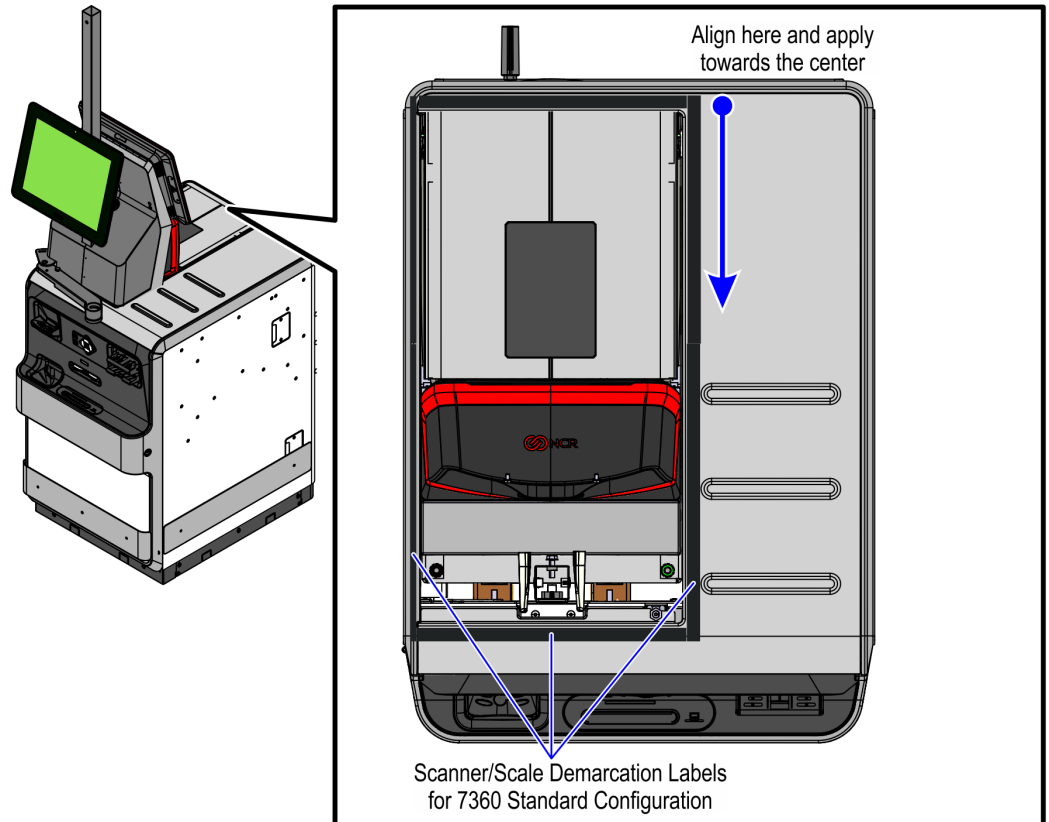
3. Attach the "Convertible RH Side" label by doing the following:
  - a. Remove the "Convertible RH Side" label from the label sheet.

11

CONVERTIBLE  
RH SIDE

CCP-78691

- b. Position and attach the "Convertible RH Side" label starting from the right outer side of the "Scanner Back" label towards the center, as shown in the image below.



CCP-78692

