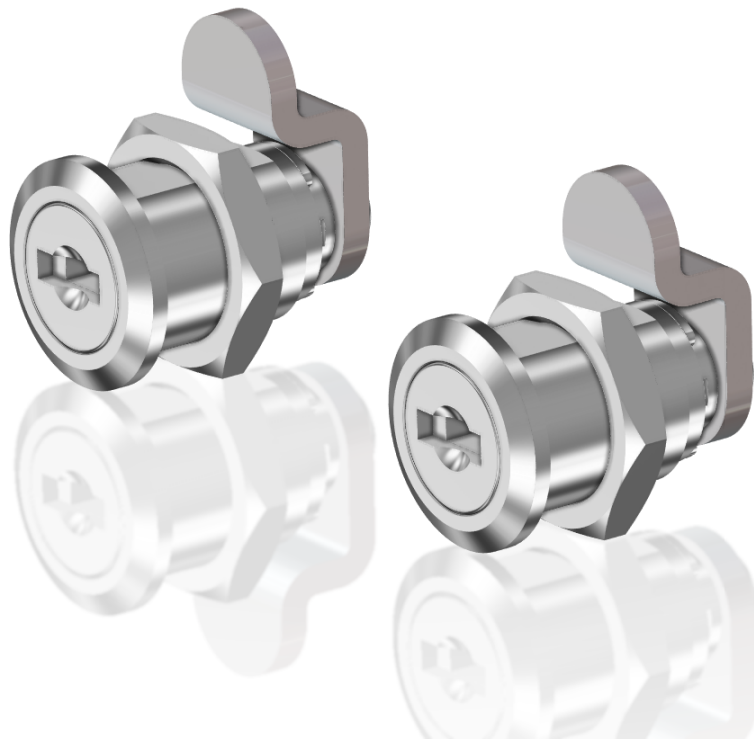


Kit Instructions

GSR50 Recycler Stacker Lock (Walmart)



7358-K099
Issue A



The product described in this document is a licensed product of NCR Corporation.

NCR is a registered trademark of NCR Corporation. NCR FastLane SelfServ™ Checkout is a trademark of NCR Corporation in the United States and/or other countries. Other product names mentioned in this publication may be trademarks or registered trademarks of their respective companies and are hereby acknowledged.

The terms HDMI and HDMI High-Definition Multimedia Interface, and the HDMI Logo are trademarks or registered trademarks of HDMI Licensing LLC in the United States and other countries.

Where creation of derivative works, modifications or copies of this NCR copyrighted documentation is permitted under the terms and conditions of an agreement you have with NCR, NCR's copyright notice must be included.

It is the policy of NCR Corporation (NCR) to improve products as new technology, components, software, and firmware become available. NCR, therefore, reserves the right to change specifications without prior notice.

All features, functions, and operations described herein may not be marketed by NCR in all parts of the world. In some instances, photographs are of equipment prototypes. Therefore, before using this document, consult with your NCR representative or NCR office for information that is applicable and current.

To maintain the quality of our publications, we need your comments on the accuracy, clarity, organization, and value of this book. Please use the link below to send your comments.

EMail: FD230036@ncr.com

Copyright © 2020
By NCR Corporation
Global Headquarters
864 Spring St. NW
Atlanta, GA 30308
United States
All Rights Reserved

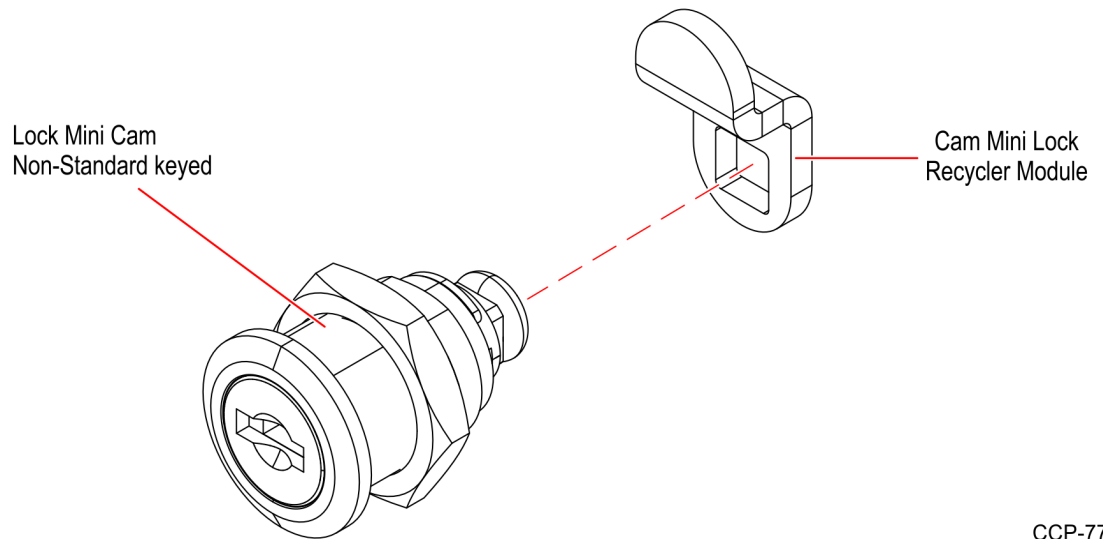
Revision Record

| Issue | Date | Remarks |
|-------|----------|-------------|
| A | Oct 2019 | First Issue |
| | | |
| | | |

GSR50 Recycler Stacker Lock (Walmart)

This publication provides procedures for installing a lock on a GSR50 Recycler Stacker.

Kit Contents



CCP-77299

| Part Number | Description |
|---------------|---|
| 497-0524862 | Kit - GSR50 Recycler Stacker Lock (Walmart) |
| 006-8627322 | Lock Mini Cam Non-Standard keyed (2 pcs) |
| 497-0522393 | Cam Mini Lock Recycler Module (2 pcs) |
| * 497-0423108 | Instructions-Kit (Reference Sheet) |

* Items marked with an asterisk are not called out on the image.

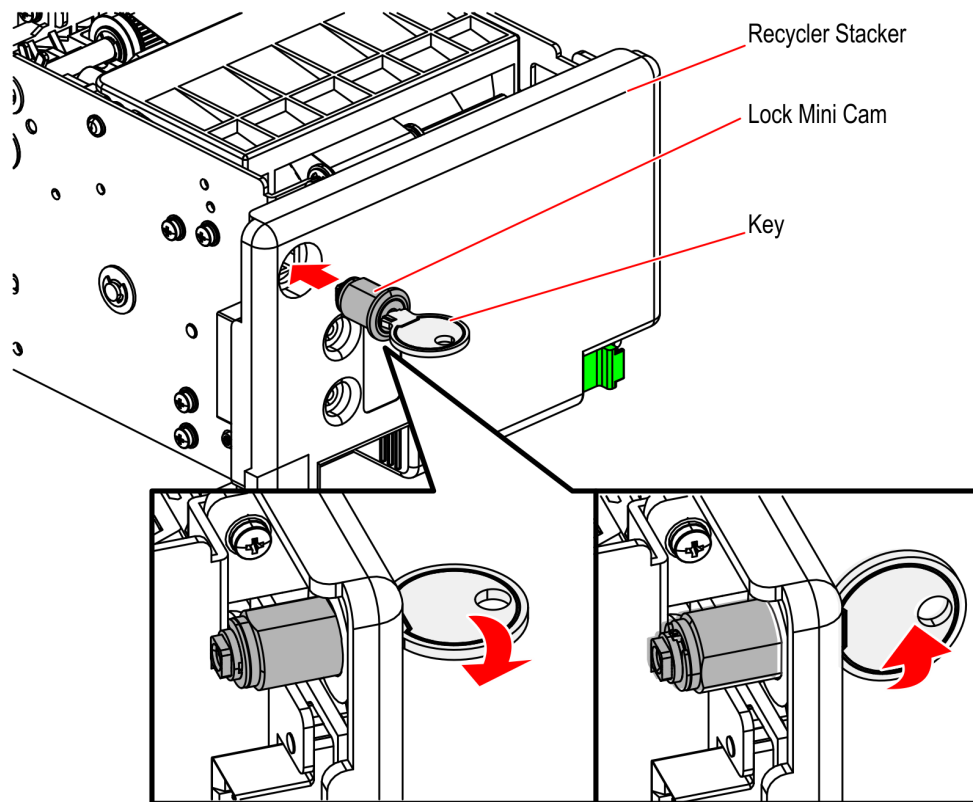
Installation Procedures

To install the GSR50 Recycler Stacker lock, follow these steps:

1. Access the GSR50 Note Recycler.
2. Insert the Lock Mini Cam with Key in a horizontal position into the corresponding hole on the front of the Stacker, as shown in the image.

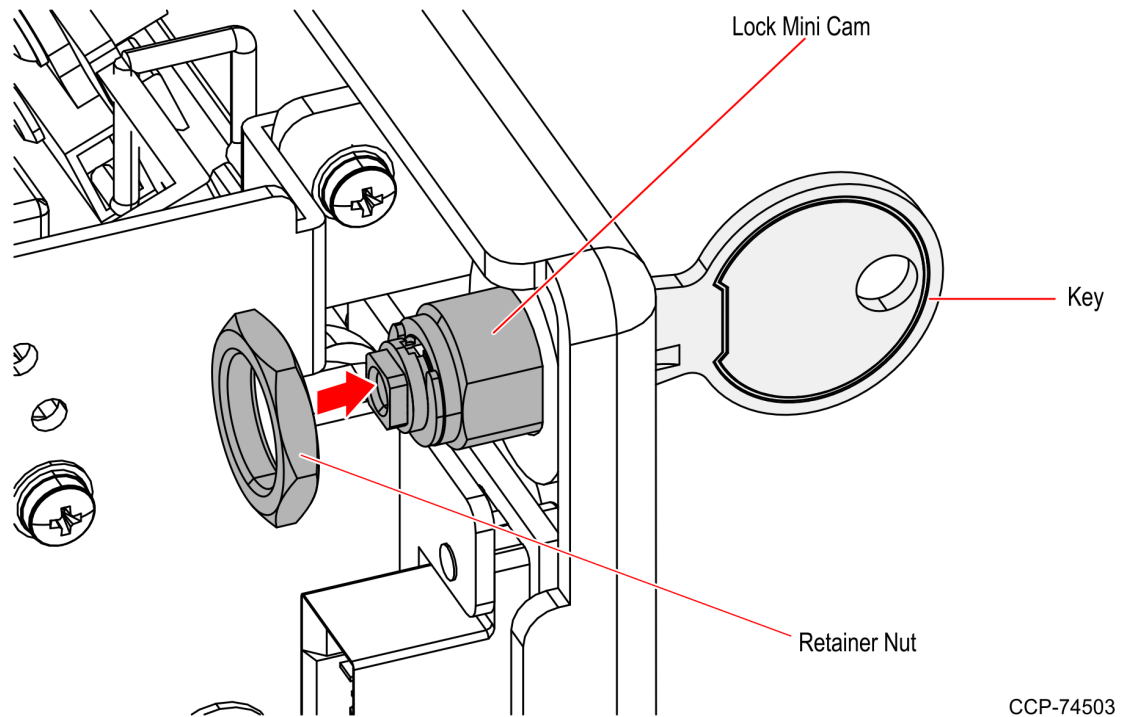


Note: Ensure that the key can rotate to 1/4 turn counterclockwise.



CCP-74502

3. Secure the Lock Mini Cam using a retainer nut and then torque the nut to 4 Nm or 35 in/lbs.

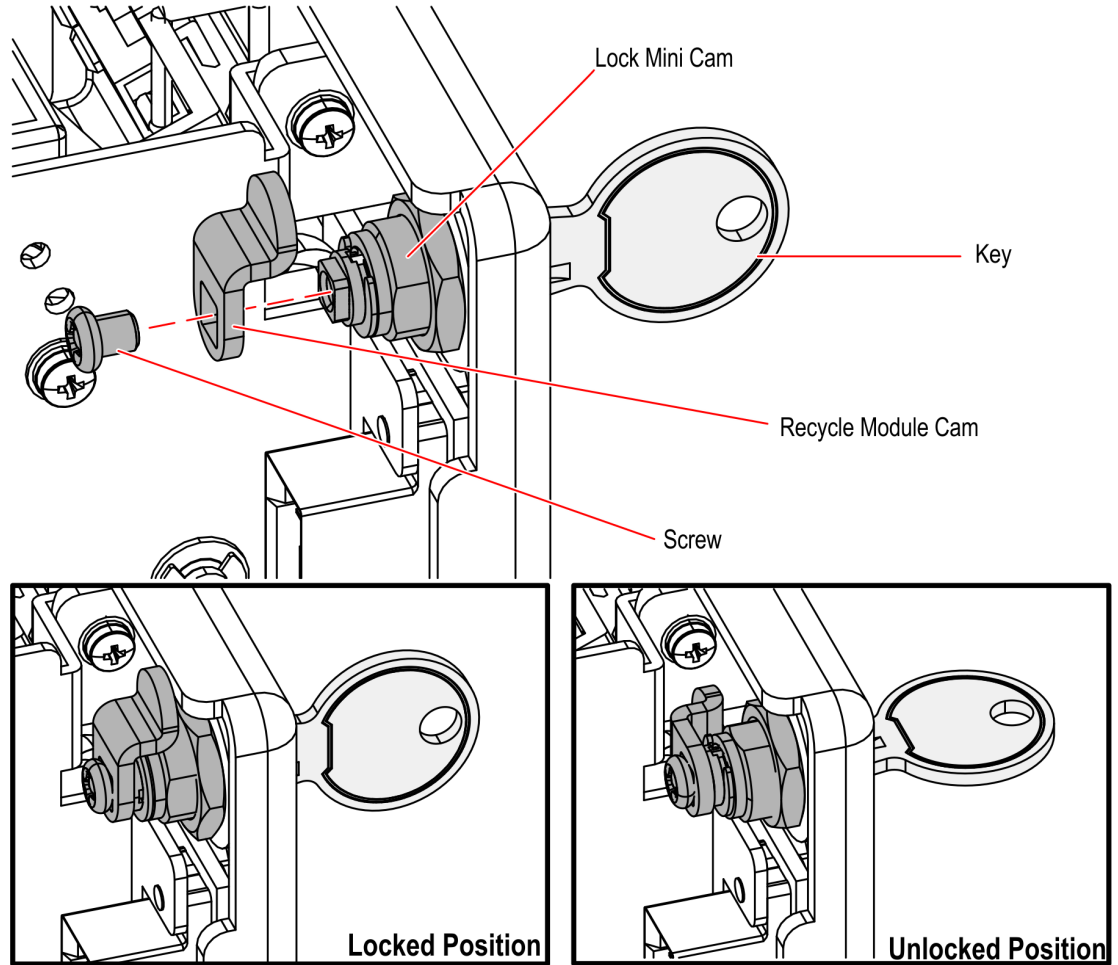


CCP-74503

4. Attach the Recycler Module Cam to the Lock Mini Cam in a vertical position using a screw and then torque the screw to 4 Nm or 35 in/lbs.



Note: Note the orientation of the cam in relation to the key position, as shown in the image below. This would be the locked position of the key when in use.



CCP-74504

5. Apply an adhesive (Loctite #242) to the cam screw to secure the cam in place.