

# Kit Instructions

GSR50 Note Recycler Locks (Walmart)



7358-K098  
Issue A



---

The product described in this document is a licensed product of NCR Corporation.

NCR is a registered trademark of NCR Corporation. NCR FastLane SelfServ™ Checkout is a trademark of NCR Corporation in the United States and/or other countries. Other product names mentioned in this publication may be trademarks or registered trademarks of their respective companies and are hereby acknowledged.

The terms HDMI and HDMI High-Definition Multimedia Interface, and the HDMI Logo are trademarks or registered trademarks of HDMI Licensing LLC in the United States and other countries.

Where creation of derivative works, modifications or copies of this NCR copyrighted documentation is permitted under the terms and conditions of an agreement you have with NCR, NCR's copyright notice must be included.

It is the policy of NCR Corporation (NCR) to improve products as new technology, components, software, and firmware become available. NCR, therefore, reserves the right to change specifications without prior notice.

All features, functions, and operations described herein may not be marketed by NCR in all parts of the world. In some instances, photographs are of equipment prototypes. Therefore, before using this document, consult with your NCR representative or NCR office for information that is applicable and current.

To maintain the quality of our publications, we need your comments on the accuracy, clarity, organization, and value of this book. Please use the link below to send your comments.

*EMail:* [FD230036@ncr.com](mailto:FD230036@ncr.com)

Copyright © 2020  
By NCR Corporation  
Global Headquarters  
864 Spring St. NW  
Atlanta, GA 30308  
United States  
All Rights Reserved

## Revision Record

Issue	Date	Remarks
A	Oct 2018	First issue.
B	Oct 2019	<ul style="list-style-type: none"><li>• Updated Notebox (Cashbox) Security Door Assembly.</li><li>• Updated <a href="#">Installing GSR50 Recycler Stacker Lock</a> on page 3.</li></ul>

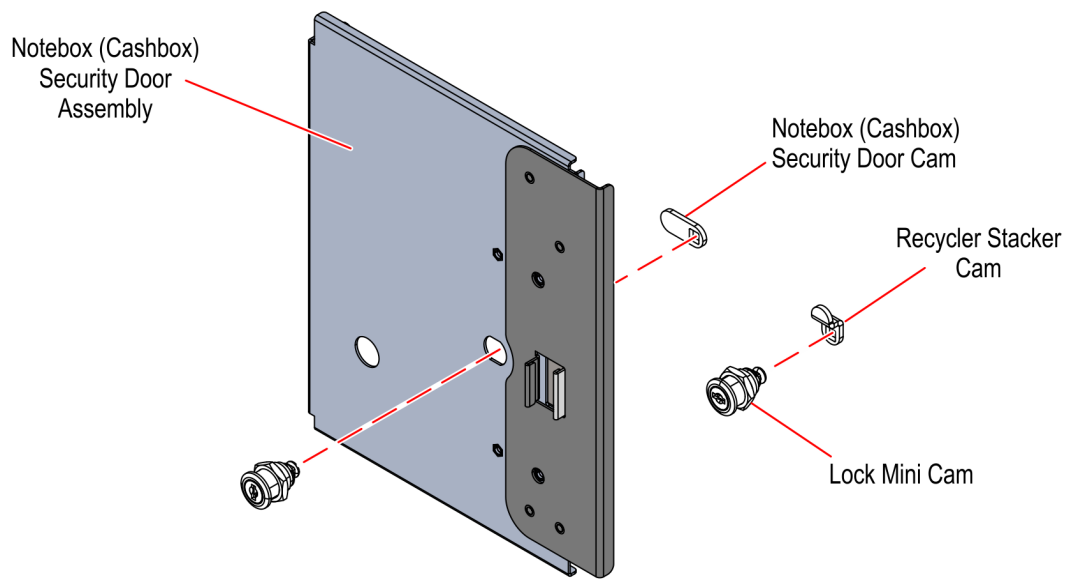
---

# 7358-K098 GSR50 Note Recycler Locks (Walmart)

---

This publication provides procedures for installing locks on the GSR50 Recycler Stacker and Notebox (Cashbox) modules.

## Kit Contents



CCP-74544

Part Number	Description
497-0523488	7358-K098 GSR50 Note Recycler Locks (Walmart)
497-0521410	Notebox (Cashbox) Security Door Cam
497-0522393	Recycler Stacker Cam
006-8627322	Lock Mini Cam Standard Keyed
497-0524869	Notebox (Cashbox) Security Door Assembly
* 497-0423108	Instructions - Kit (Reference Sheet)

\* Items marked with an asterisk are not called out on the image.

## Installation Procedure

Installing the locks on the GSR50 Recycler Stacker and Notebox (Cashbox) modules involves the following procedures in any order:



**Note:** It is highly recommended to use screw and nut drivers with torque limiter.

- [Installing GSR50 Recycler Stacker Lock](#) on the facing page
- [Installing GSR50 Notebox \(Cashbox\) Security Door](#) on page 6.

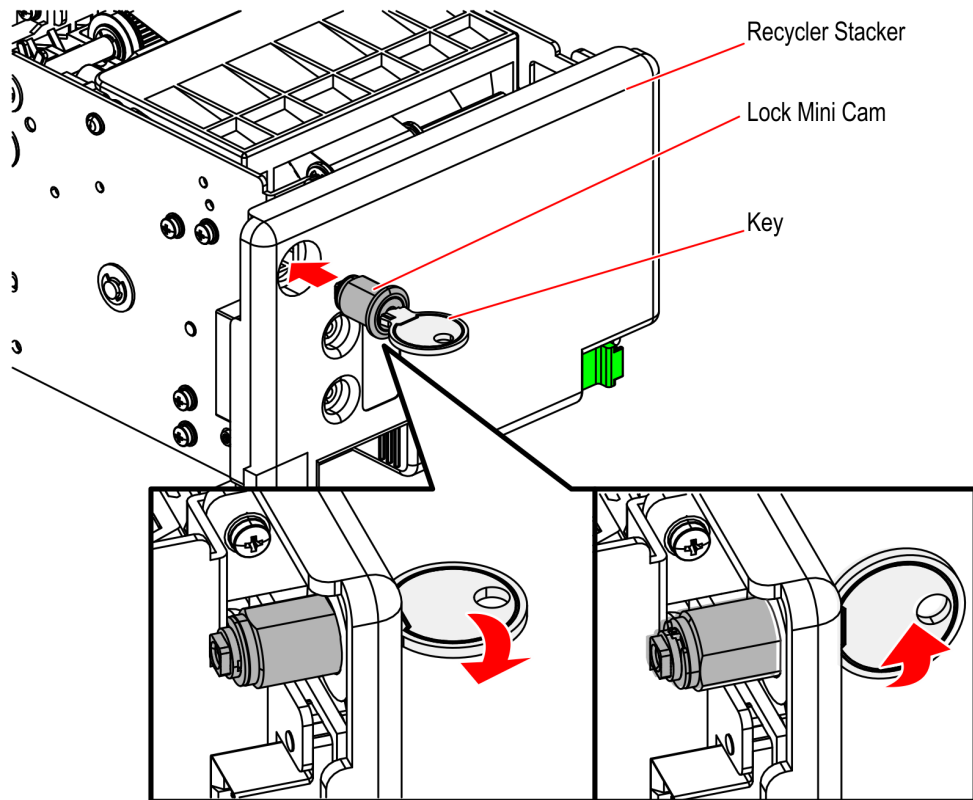
## Installing GSR50 Recycler Stacker Lock

To install the GSR50 Recycler Stacker lock, follow these steps:

1. Access the GSR50 Note Recycler.
2. Insert the Lock Mini Cam with Key in a horizontal position into the corresponding hole on the front of the Stacker, as shown in the image below.

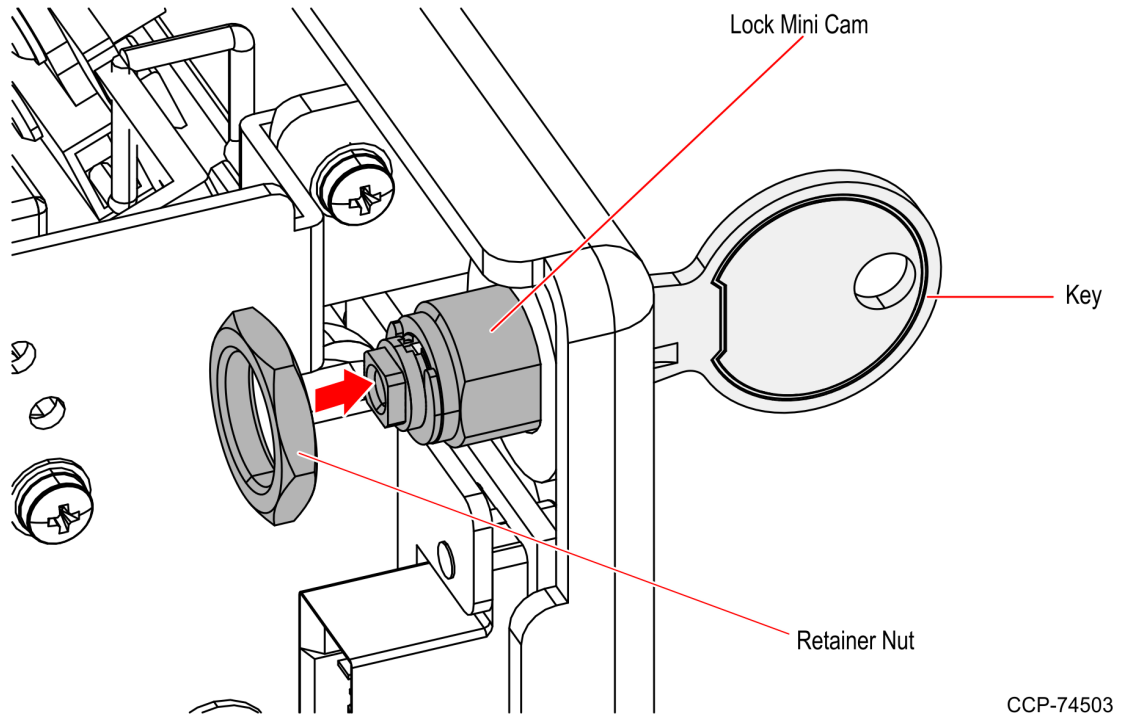


**Note:** Ensure that the key can rotate to 1/4 turn counterclockwise.



CCP-74502

3. Secure the Lock Mini Cam using a retainer nut and then torque the nut to 4 Nm or 35 in/lbs.

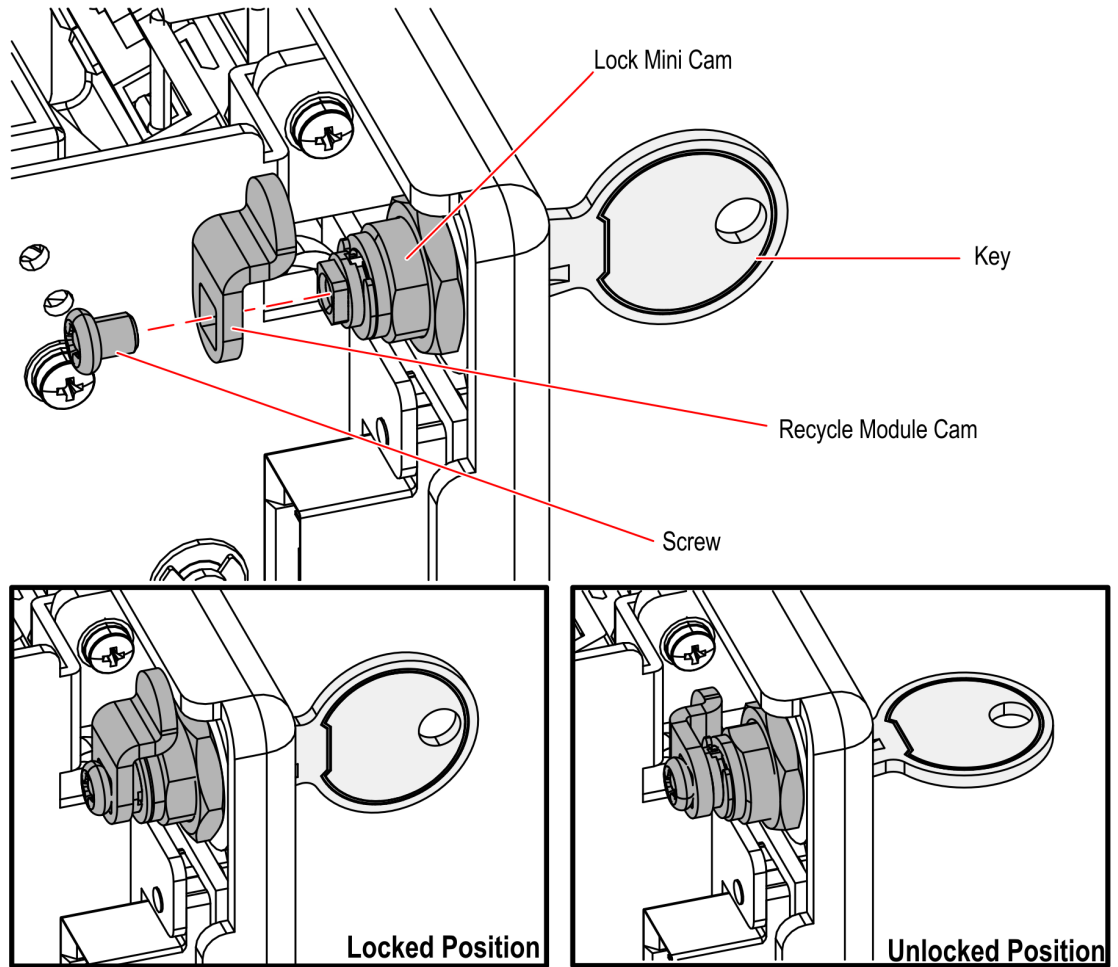


CCP-74503

4. Attach the Recycler Module Cam to the Lock Mini Cam in a vertical position using a screw and then torque the screw to 4 Nm or 35 in/lbs.



**Note:** Note the orientation of the cam in relation to the key position, as shown in the image below. This would be the locked position of the key when in use.



CCP-74504

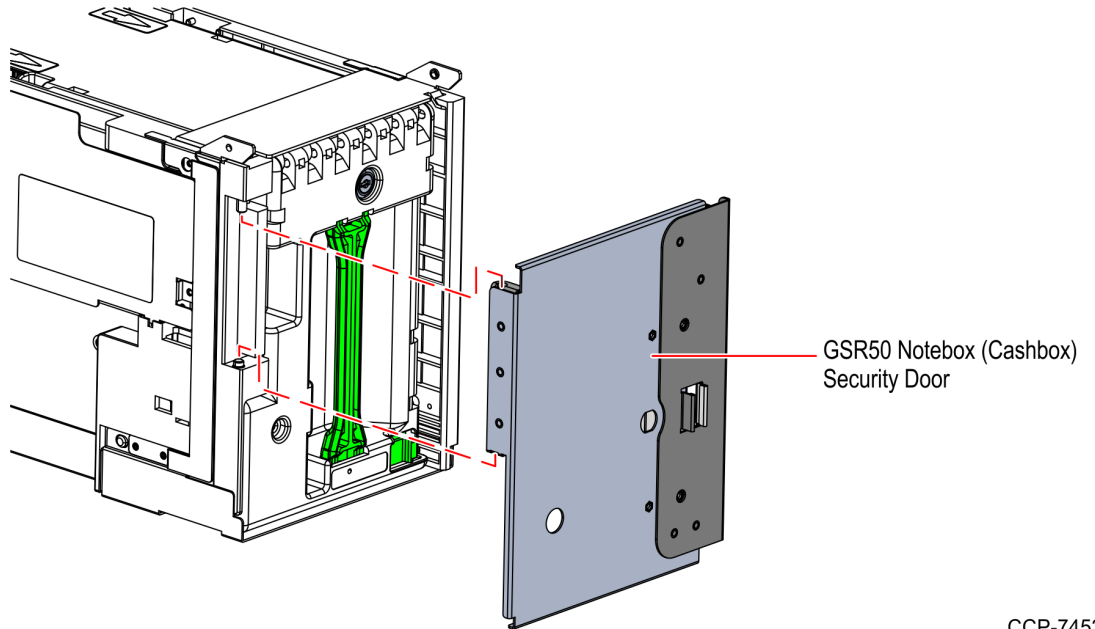
5. Apply an adhesive (Loctite #242) to the cam screw to secure the cam in place. To install the Notebox (Cashbox) Security Door, refer to [Installing GSR50 Notebox \(Cashbox\) Security Door](#) on the next page.



## Installing GSR50 Notebox (Cashbox) Security Door

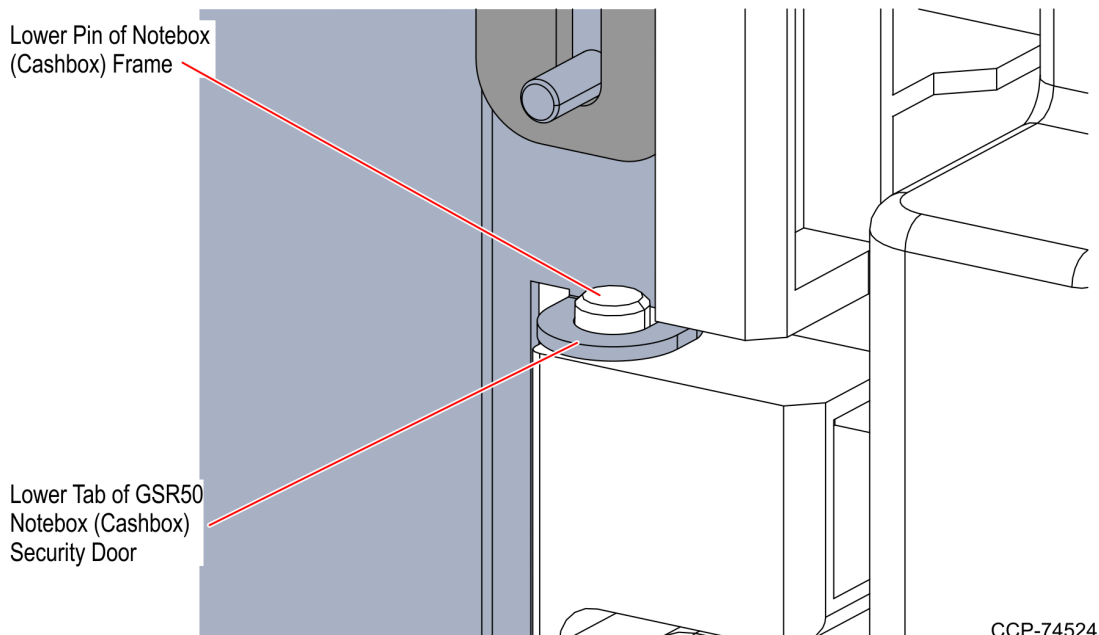
To install the GSR50 Notebox (Cashbox) Security Door, follow these steps:

1. Align the GSR50 Notebox (Cashbox) Security Door to the front of the Notebox (Cashbox) frame as shown in the image below.



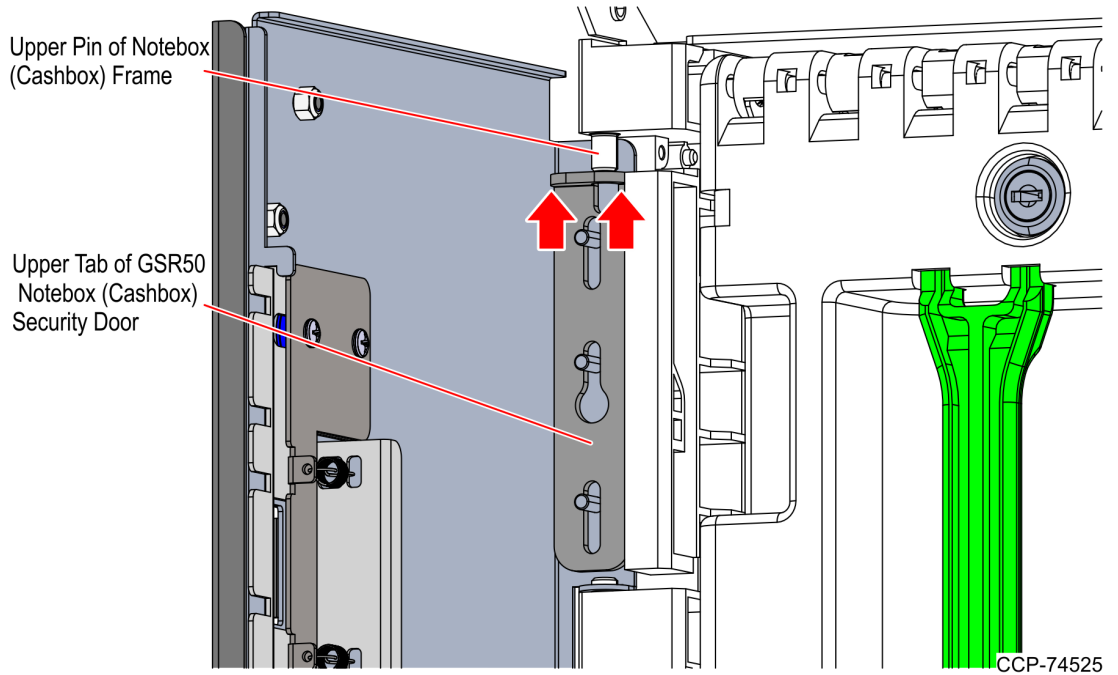
CCP-74523

2. Place the lower tab of the GSR50 Notebox (Cashbox) Security Door over the lower pin of Notebox (Cashbox) frame.

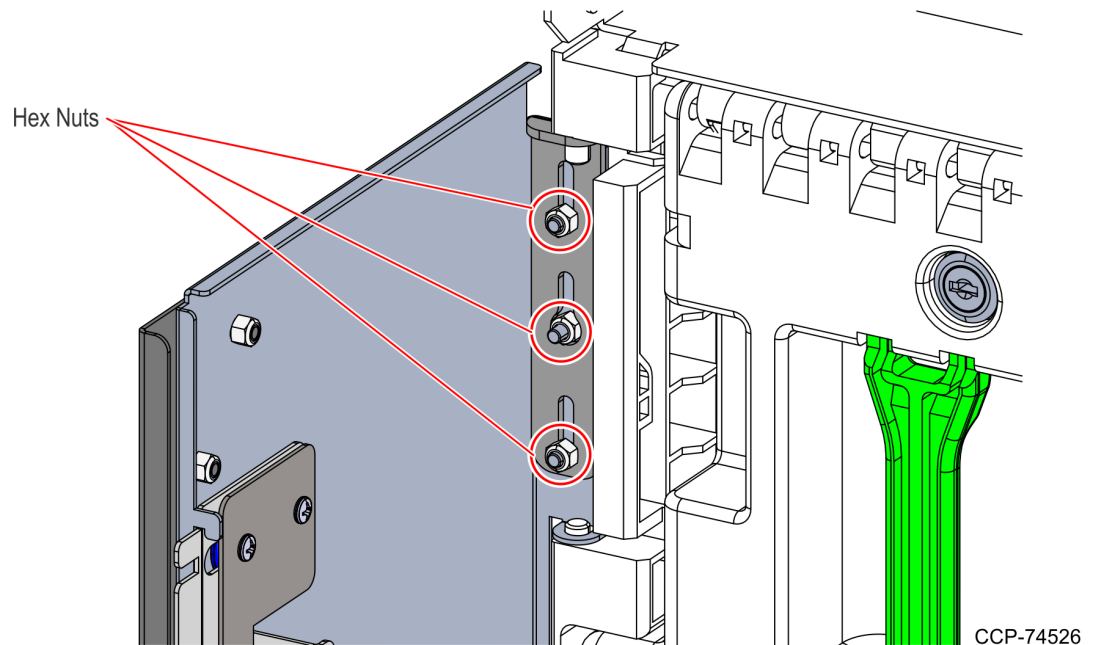


CCP-74524

3. Slide the upper tab of the Security Door upward to capture the upper pin of the Notebox (Cashbox) frame.



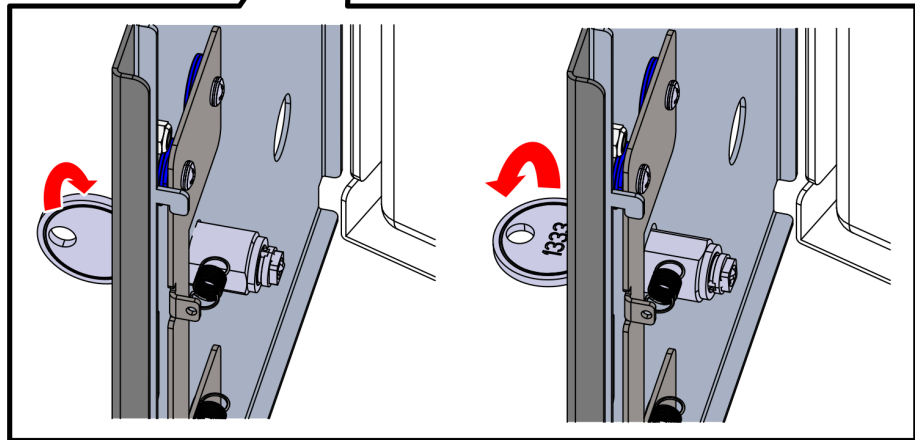
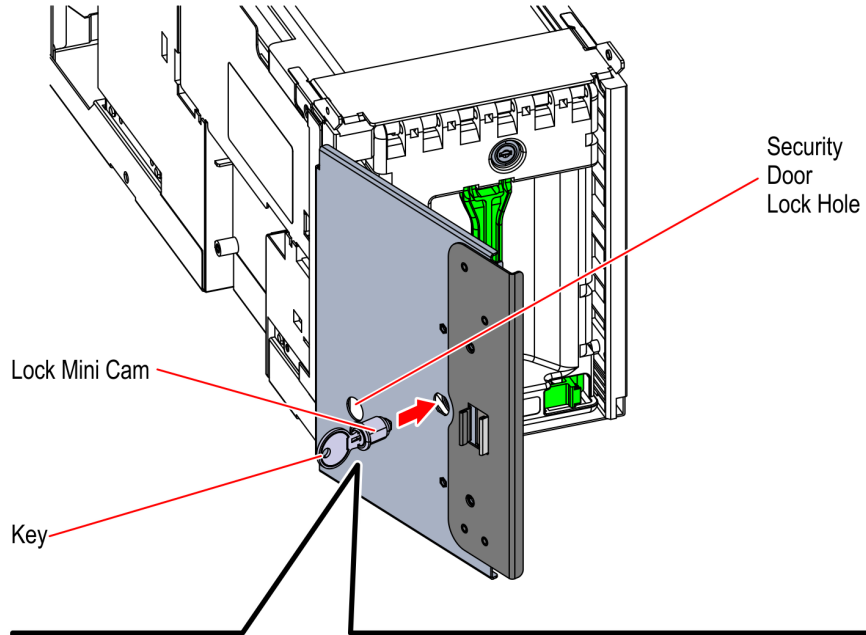
4. Secure the upper tab of the Security Door using three (3) hex nuts and then torque the nuts to 4 Nm or 35 in/lbs.



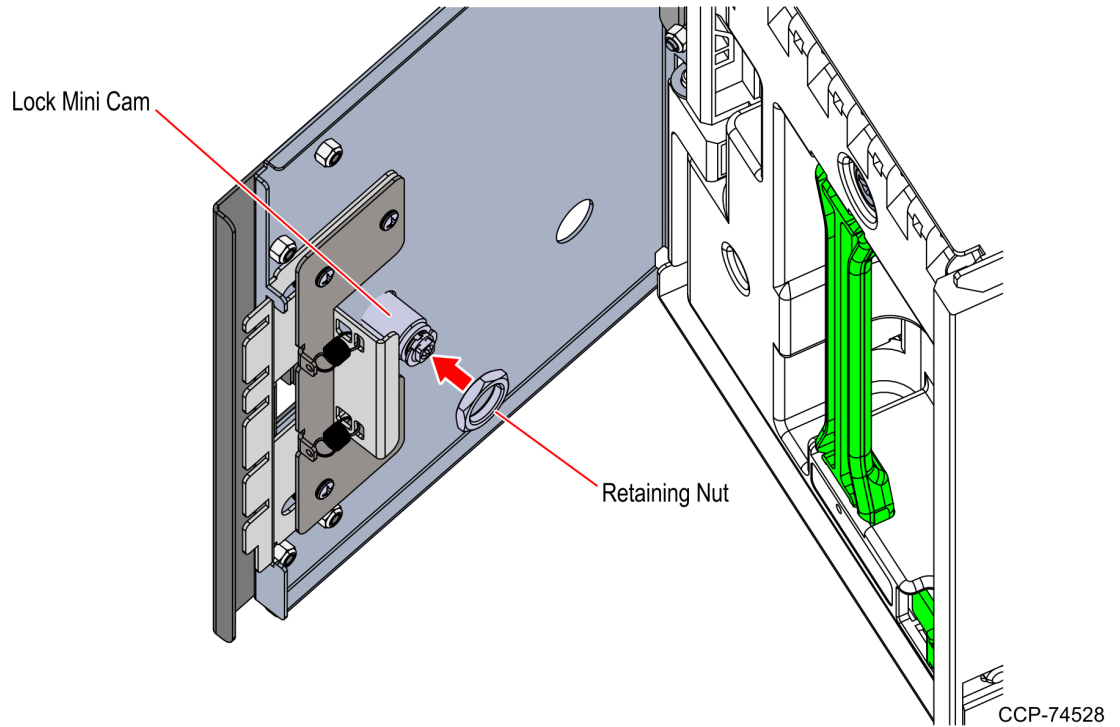
5. Install the Lock Mini Cam to the Security Door lock hole using a key in a vertical position as shown in the image below.



**Note:** Ensure that the key can rotate to 1/4 turn counterclockwise.



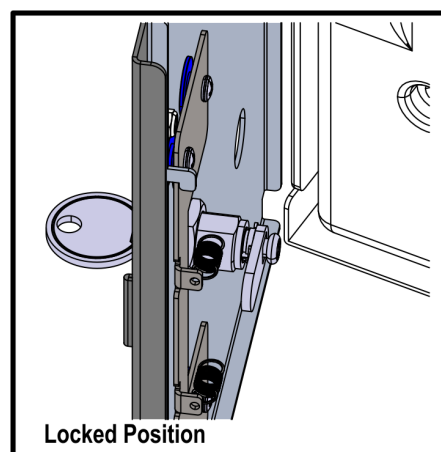
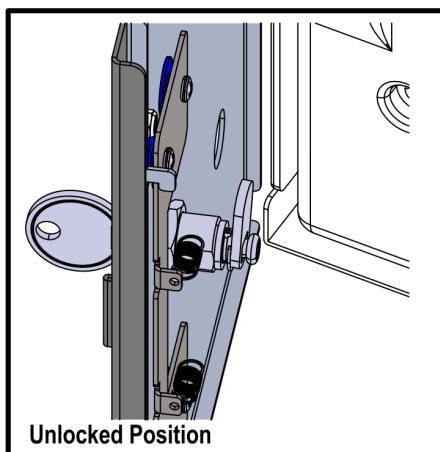
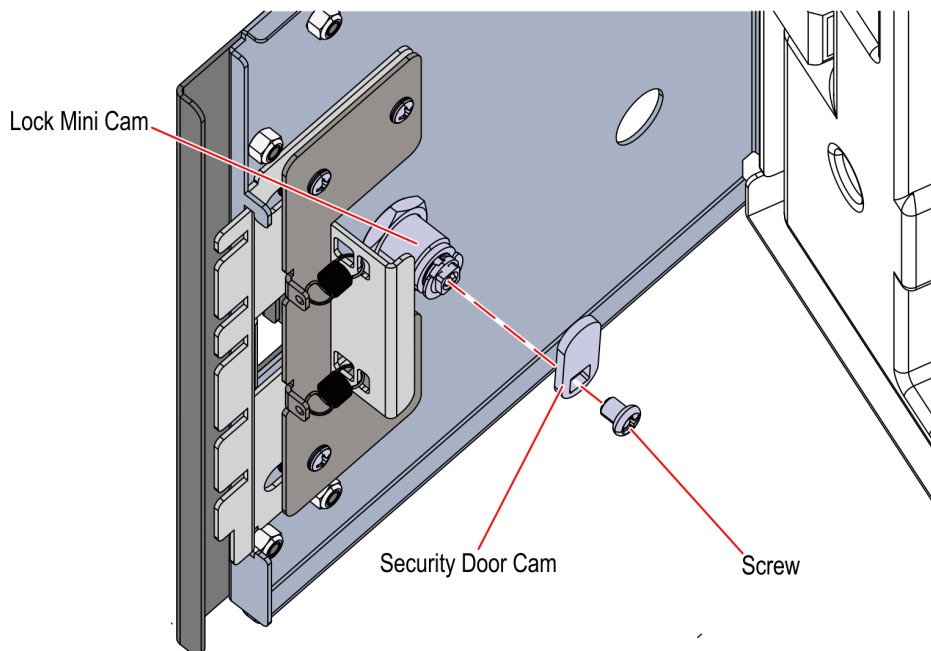
6. Secure the Lock Mini Cam to the Security Door using a retainer nut and torque the nut to 4 Nm or 35 in/lbs.



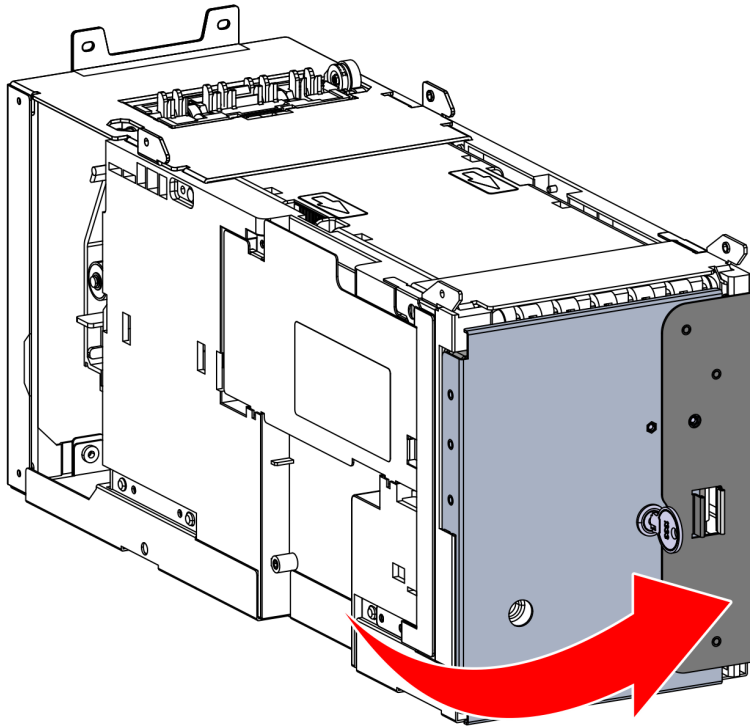
- Attach the Security Door Cam to the Lock Mini Cam in a vertical position using a screw and torque the screw to 4 Nm or 35 in/lbs. Ensure that the key can rotate to 1/4 turn clockwise.



**Note:** The Lock Mini Cam is a key retaining lock. In a locked position, the key can be removed. In an unlocked position, the key cannot be removed.



8. Close the Notebox (Cashbox) Security Door.



CCP-74530

9. Install the Recycler Stacker Lock if necessary. For more information, refer to [Installing GSR50 Recycler Stacker Lock](#) on page 3.