

Kit Instructions

R6L Plus Tri-Light/Lane Light with Camera Assembly



7358-K068
Issue A



The product described in this document is a licensed product of NCR Corporation.

NCR is a registered trademark of NCR Corporation. NCR FastLane SelfServ™ Checkout is a trademark of NCR Corporation in the United States and/or other countries. Other product names mentioned in this publication may be trademarks or registered trademarks of their respective companies and are hereby acknowledged.

The terms HDMI and HDMI High-Definition Multimedia Interface, and the HDMI Logo are trademarks or registered trademarks of HDMI Licensing LLC in the United States and other countries.

Where creation of derivative works, modifications or copies of this NCR copyrighted documentation is permitted under the terms and conditions of an agreement you have with NCR, NCR's copyright notice must be included.

It is the policy of NCR Corporation (NCR) to improve products as new technology, components, software, and firmware become available. NCR, therefore, reserves the right to change specifications without prior notice.

All features, functions, and operations described herein may not be marketed by NCR in all parts of the world. In some instances, photographs are of equipment prototypes. Therefore, before using this document, consult with your NCR representative or NCR office for information that is applicable and current.

To maintain the quality of our publications, we need your comments on the accuracy, clarity, organization, and value of this book. Please use the link below to send your comments.

EMail: FD230036@ncr.com

Copyright © 2020
By NCR Corporation
Global Headquarters
864 Spring St. NW
Atlanta, GA 30308
United States
All Rights Reserved

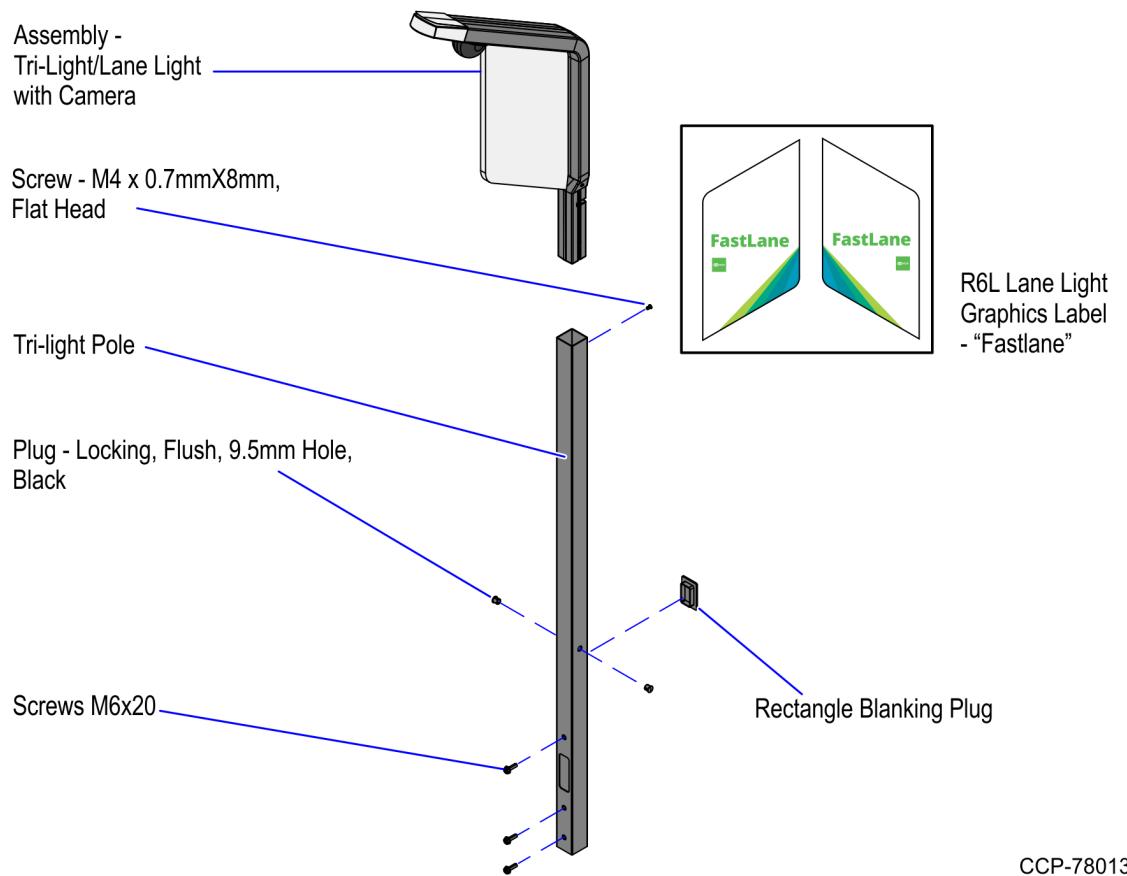
Revision Record

Issue	Date	Remarks
A	Dec 2019	First Issue

Tri-Light/Lane Light with Camera Assembly

This publication provides procedures for installing a Tri-Light/Lane Light with Camera Assembly to an NCR FastLane SelfServ™ Checkout (7358) R6L Plus unit.

Kit Contents



Part Number	Description
497-0527398	7358-K068 Kit, R6L+ Trilight with IP Camera
006-8624305	Rectangle Blanking Plug (42 x 23.8 mm)
497-0524107	Assembly - Tri-Light/Lane Light with Camera
006-8624498	Screw - M4 x 0.7 x 08 mm, Flat head, stainless
* 497-0525458	Cable -12V PWR IP Cam + Input Belt DC PWR, 2.794 m
497-0521720	R6L Lane Light Graphics Label - "Fastlane"

Part Number	Description
006-8623599	Plug - Locking, Flush, 9.5 mm Hole, Black (2 pcs)
* 497-0523835	Cable - Tri-Light and Lane Light Extender
497-0521360	Tri-Light Pole - R6L Plus
009-0006598	Screws M6 x 20 (2 pcs)
* 497-0506953	Cable - Ethernet, 10/100/1000 MBaseT, 8-wire, putty color 5000 mm.
* 497-0423108	Instructions - Kit (Reference Sheet)

* Items marked with an asterisk are not called out on the image.

Installation Procedures

To install the Tri-Light/Lane Light with Camera assembly, follow these steps:



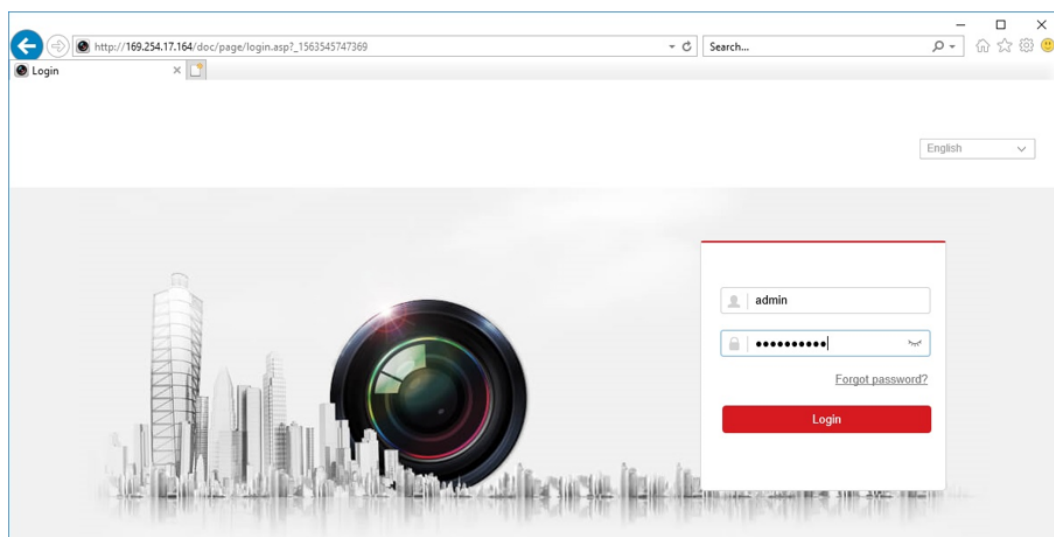
Note: Ensure that the NCR Customer Helpdesk is informed when the Tri-Light/Lane Light with Camera is installed in the store.

1. Do the following:
 - Remove the existing Tri-Light/Lane Light Assembly. For more information, refer to [Removing Tri-Light/Lane Light Assembly](#) on page 6.
 - Remove the existing Tri-Light/Lane Light Pole. For more information, refer to [Removing Tri-Light/Lane Light Pole](#) on page 10.
2. Install the Lane Light Label to the new Tri-Light/Lane Light assembly. For more information, refer to [Installing Lane Light Label](#) on page 11.
3. Install the Tri-Light/Lane Light Pole. For more information, refer to [Installing Tri-Light/Lane Light Pole](#) on page 14.
4. Install the new Tri-Light with Camera Assembly. For more information, refer to [Installing Tri-Light/Lane Light with Camera Assembly](#) on page 16.
5. Configure the Camera Settings refer to [Configuring Camera Settings](#) on page 21.



Note: For more information about setting up the camera, refer to [Hikvision Network Camera User Manual](#).

6. Access the camera view by doing the following:
 - a. Open a web browser.
 - b. Enter the IP Address of the network camera in the address bar and press **Enter** to access login interface.

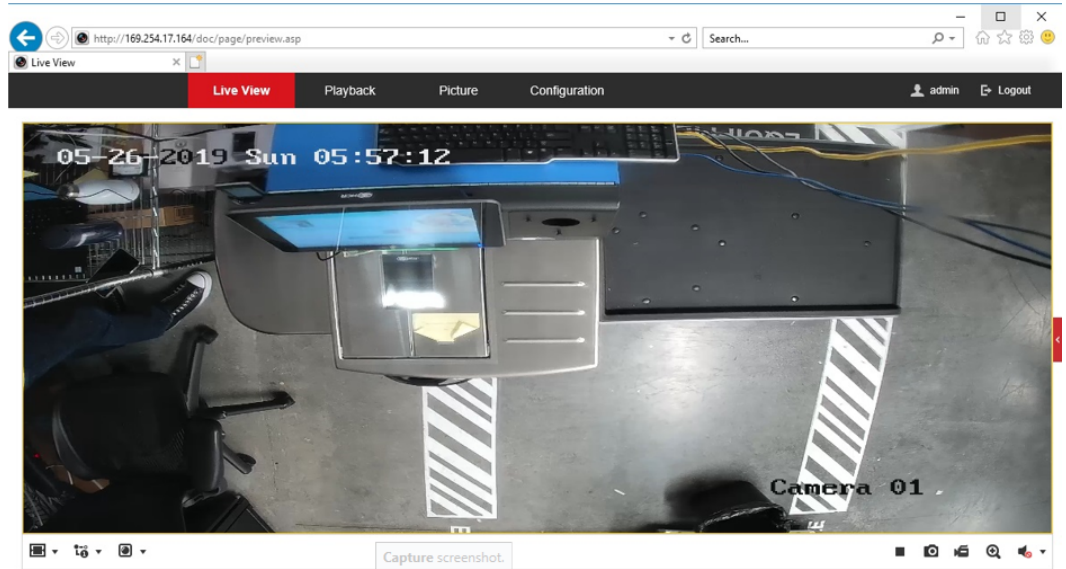


- c. Enter the following default login credentials:

Username: **Admin**

Password: **HikVision1**

The browser opens a live feed of the camera, as shown in the image below.

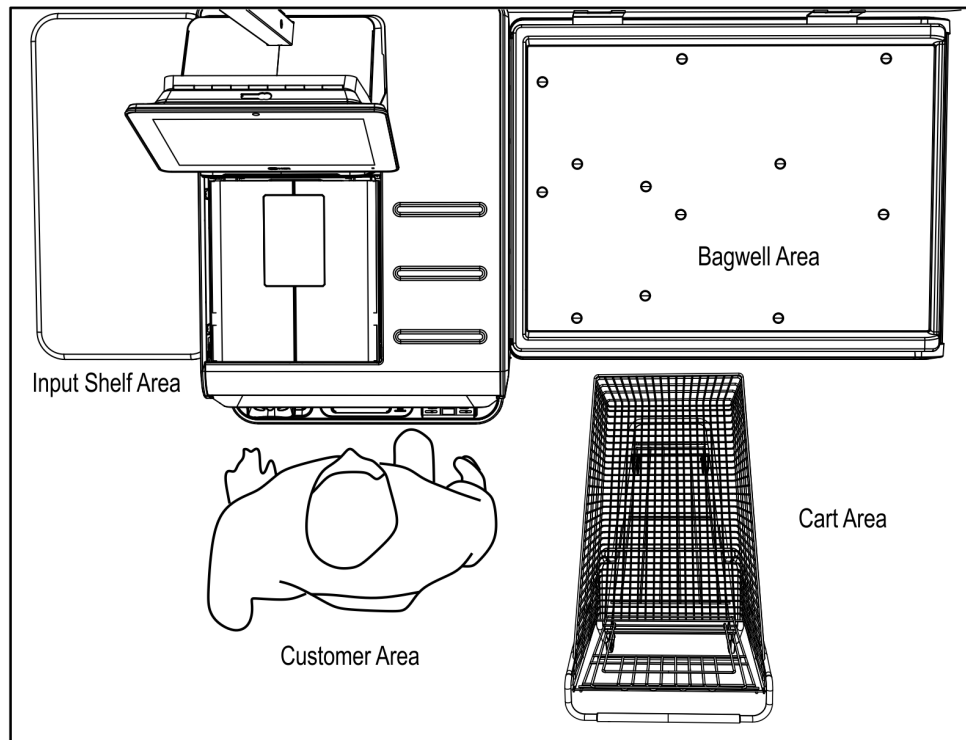


7. Adjust the view of the camera to ensure that the following conditions are met:

- Customer's normal reach to Input and Bagwell areas are visible.
- Customer area is visible.
- Cart area is visible.



Note: Refer to the image below for an example of an ideal camera view. For the purpose of illustration only, the image below shows a Right-hand (RH) orientation. For more information on setting the camera parameters, refer to [Hikvision Network Camera User Manual](#).



CCP-76737



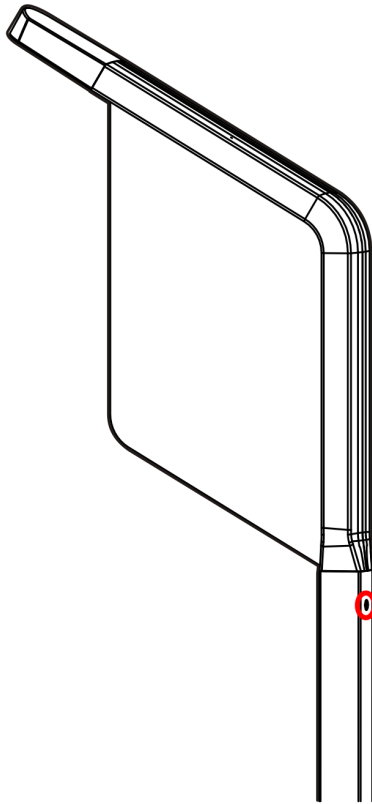
Note: Ensure that the NCR Customer Helpdesk is informed when the Tri-Light/Lane Light with Camera is installed in the store.

Removing Tri-Light/Lane Light Assembly

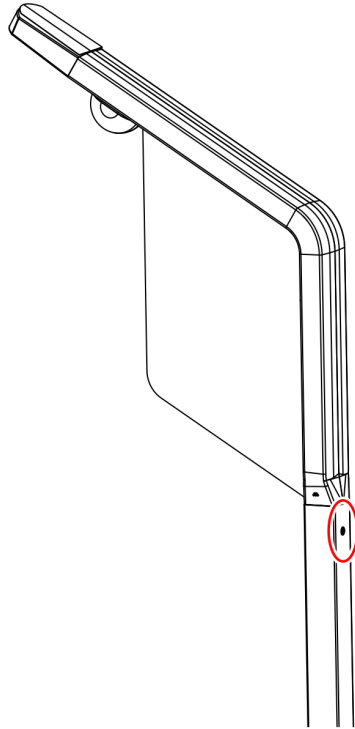
To remove the Tri-Light/Lane Light assembly (with or without Camera), follow these steps:

1. Turn off the R6L Plus software and hardware systems. For more information, refer to *NCR FastLane SelfServ™ Checkout (7358) Hardware Service Guide (BCC5-0000-5265)*.
2. Remove the screw securing the Tri-Light/Lane Light Assembly to the Tri-Light/Lane Light pole.

Tri-Light/Lane Light Assembly

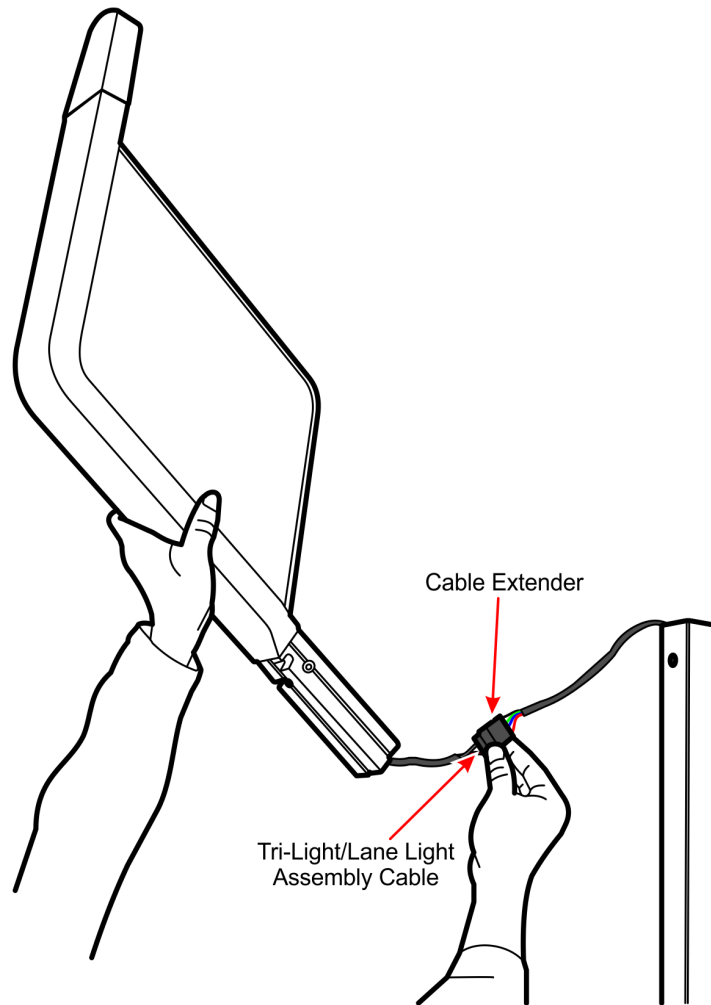


Tri-Light/Lane Light with Camera Assembly



3. Lift the Tri-Light/Lane Light Assembly and then disconnect the cables.

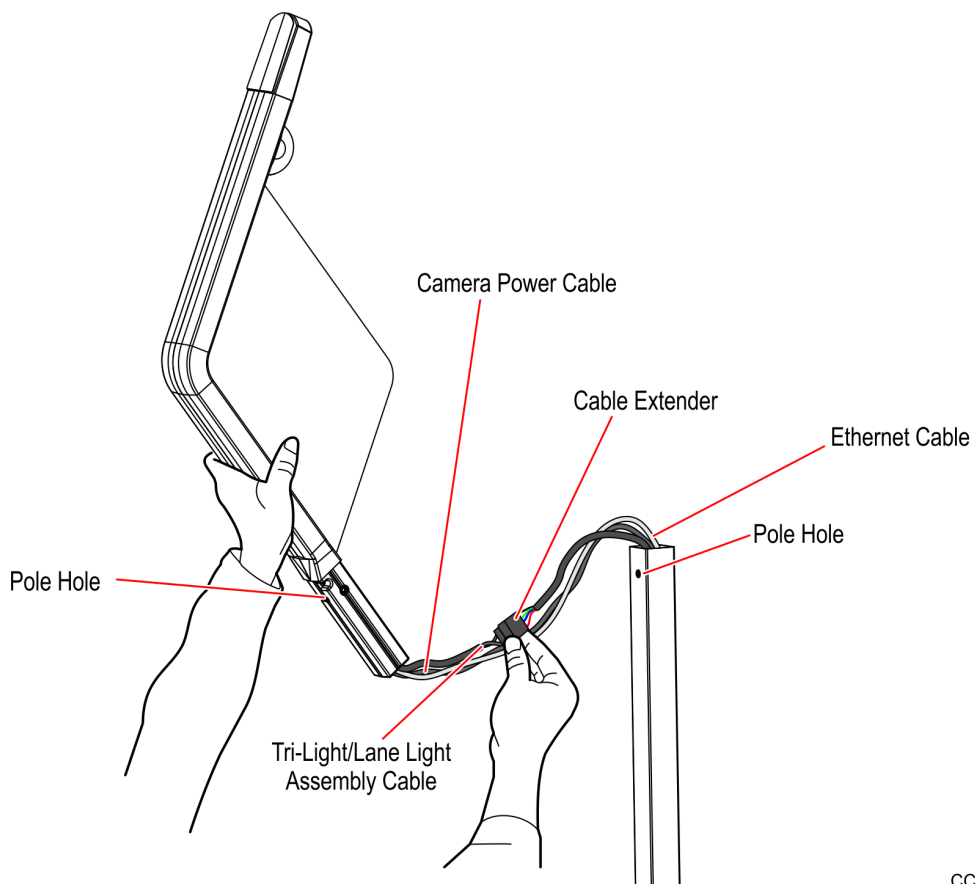
Tri-Light/Lane Light Assembly





Tri-Light/Lane Light with Camera Assembly

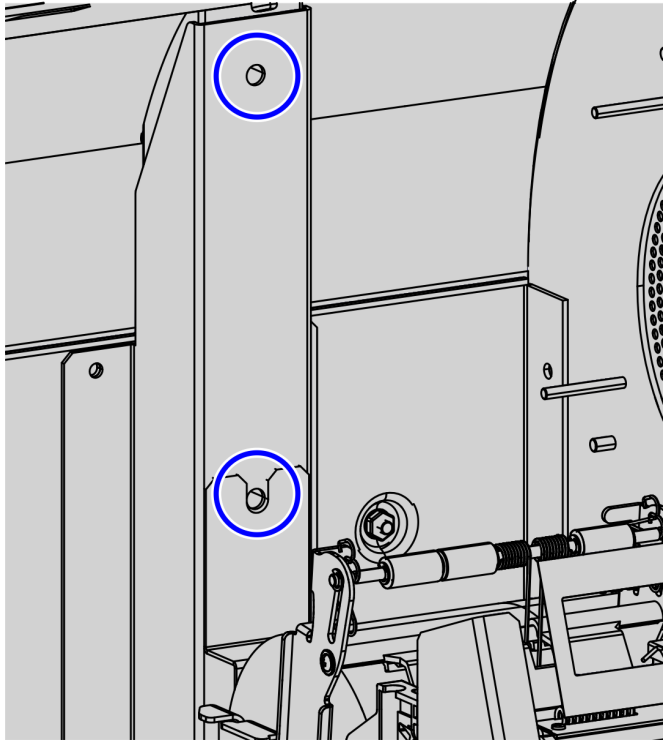
Note: The assembly has cable ties that provide strain relief for the connectors. Cut these cable ties before disconnecting the connectors.



Removing Tri-Light/Lane Light Pole

To remove the Tri-Light/Lane Light pole, follow these steps:

1. Remove the existing Tri-Light/Lane Light assembly, if necessary.
2. Remove two screws securing the pole to the unit.



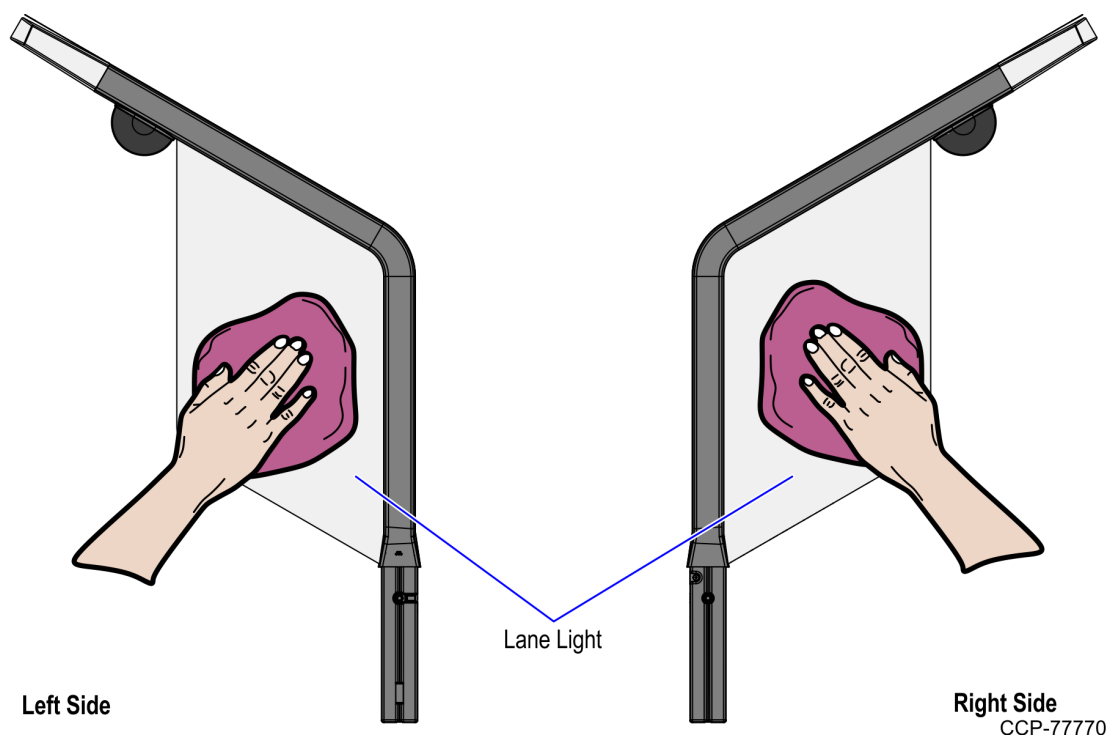
CCP-72722

3. Disconnect the Tri-Light/Lane Light cable from the I/O Box.
4. Carefully lift the pole out of the unit.

Installing Lane Light Label

To install the label on each side of the Lane Light, follow these steps:

1. Remove the Tri-Light/Lane Light assembly, if necessary.
2. Wipe any dust or dirt on the surface of both sides of the Lane Light.

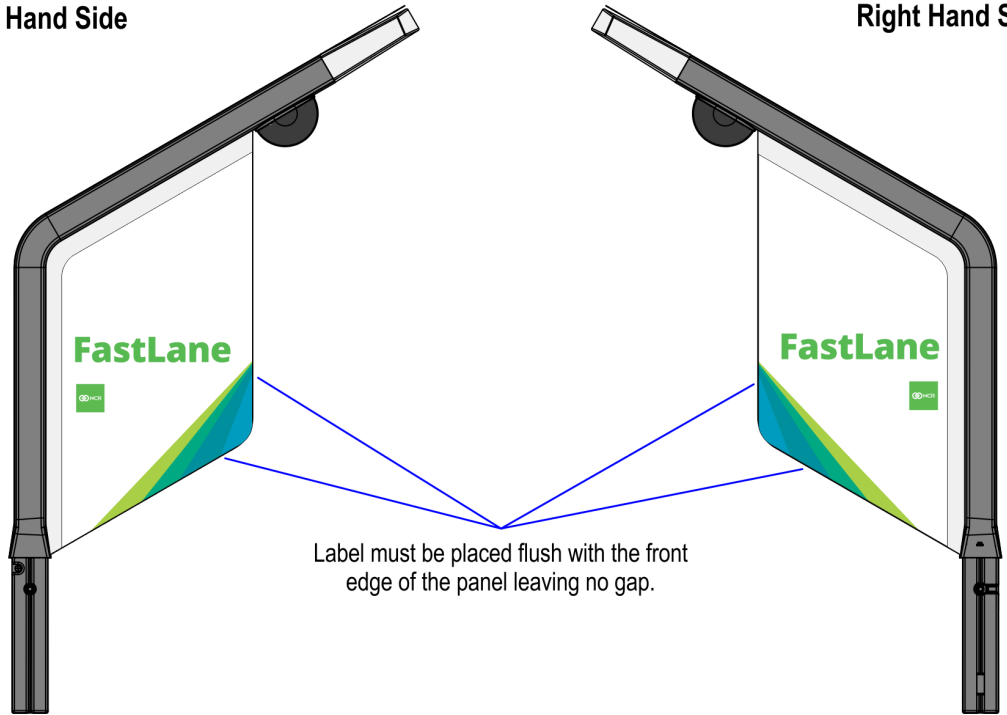


3. Set the Lane Light on a flat surface.

4. Position the label on the Lane Light. Ensure that the label is flush with the front edge of the Lane Light, as shown in the image below.

Left Hand Side

Right Hand Side

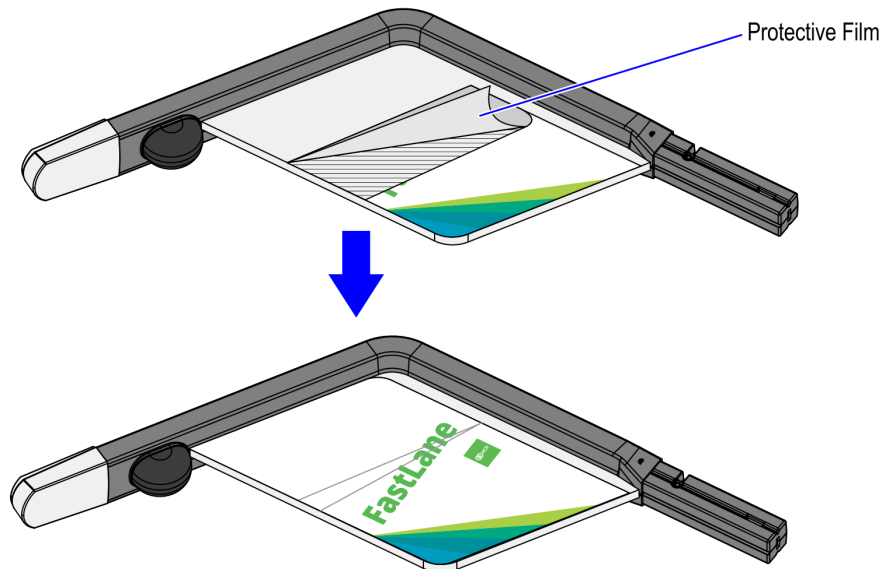


CCP-77764

5. Hold half of the label in place while peeling off the protective film from the other half of the label and then attach the label on the Lane Light, as shown in the image below.



Note: For the purpose of illustration only, the image below shows a Lane Light (FastLane) label.

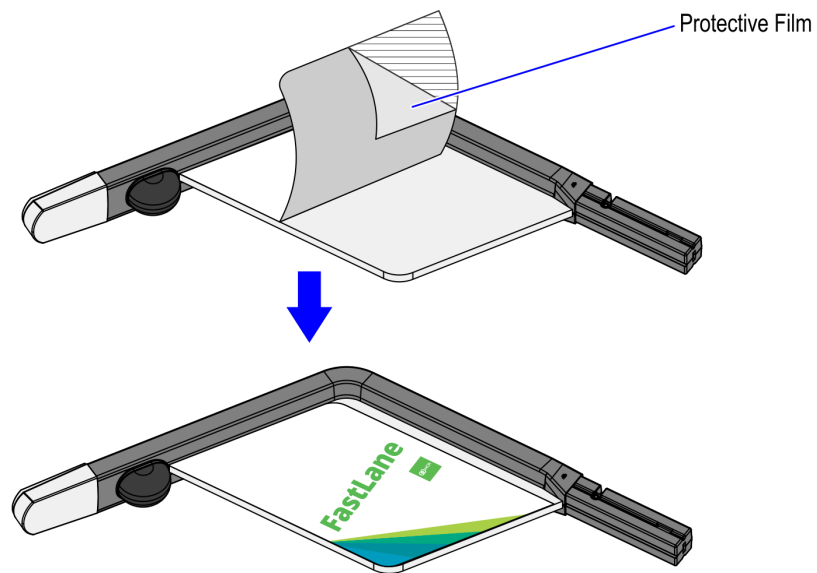


CCP-77765

6. Peel off the adhesive tape from the other half of the label and then attach the label to the Lane Light.



Note: For the purpose of illustration only, the image below shows a Lane Light (FastLane) label.



CCP-77766

7. Smooth out any air bubbles.

Installing Tri-Light/Lane Light Pole

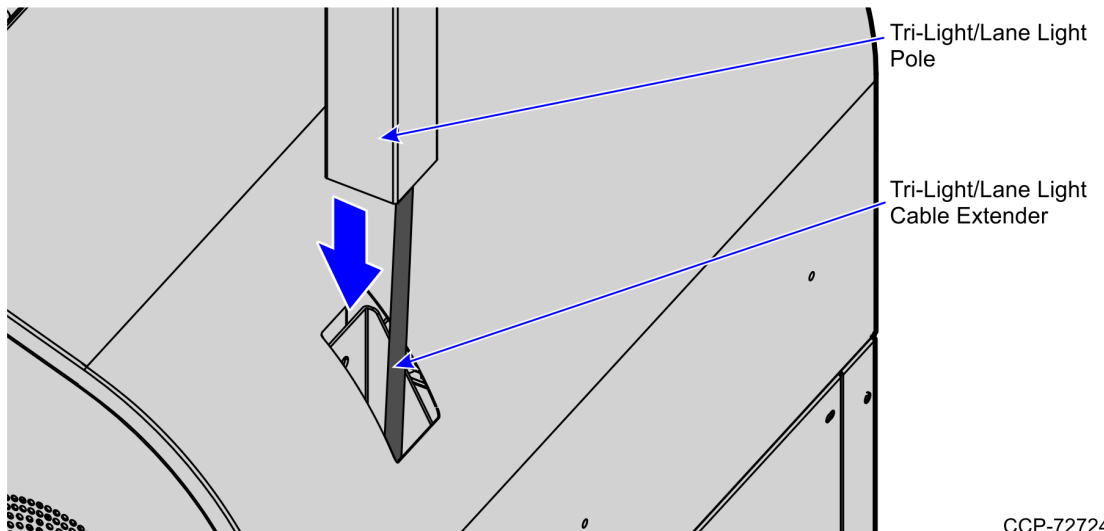
To install the Tri-Light/Lane Light pole, follow these steps:

1. Insert the Tri-Light/Lane Light cable extender through the Tri-Light/Lane Light pole.



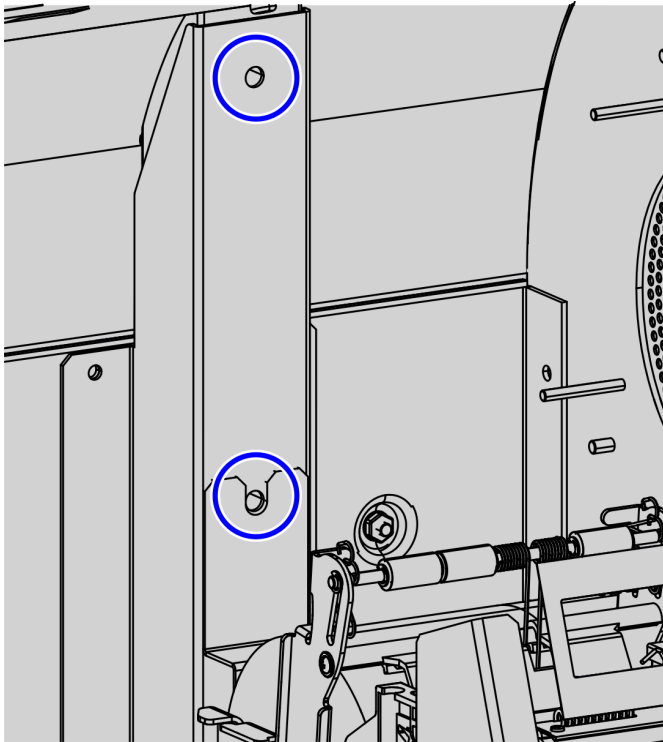
Tip: To make routing the cable extender through the pole easier, first attach a weight (for example, a large bolt) to a long piece of string and drop the weighted end of the string through the Tri-Light/Lane Light pole (starting at the top-end). Once the string is threaded through the pole, tie the non-weighted end of the string around the cable connector and then pull the cable extender through the pole.

2. Carefully insert the pole into the Upper Cabinet.



CCP-72724

3. Secure the pole to the Upper Cabinet using two screws.



CCP-72722

4. Install the Tri-Light/Lane Light assembly.

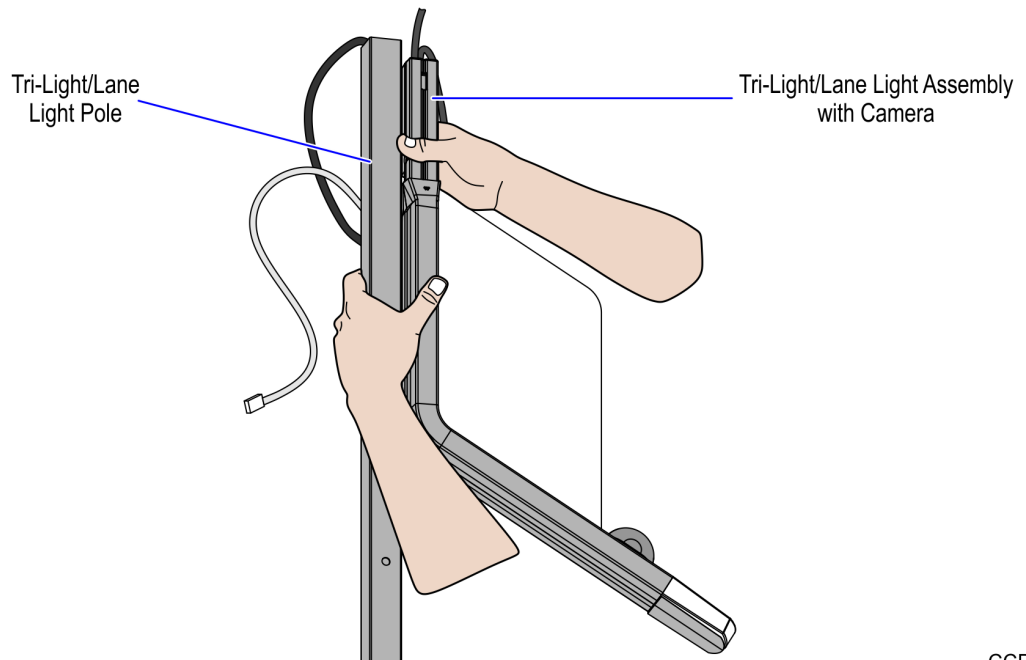
Installing Tri-Light/Lane Light with Camera Assembly

To install the Tri-Light/Lane Light assembly, follow these steps:



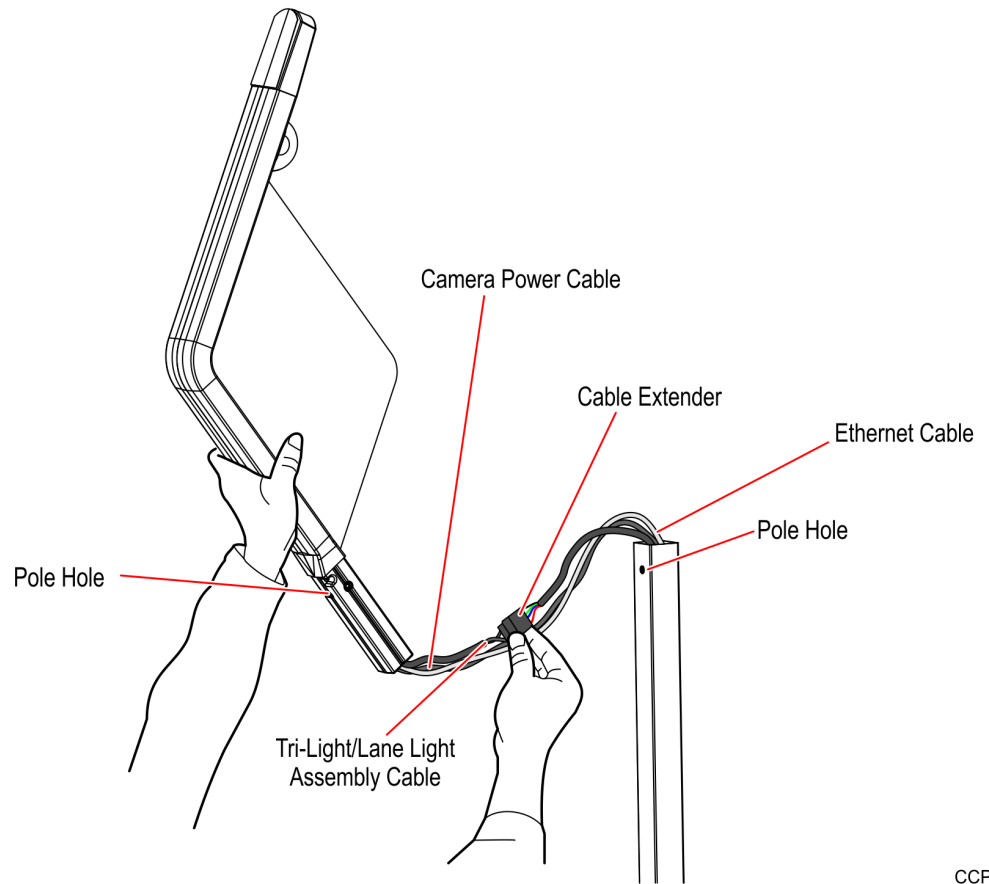
Note: Ensure that the NCR Customer Helpdesk is informed when the Tri-Light/Lane Light with Camera is installed in the store.

1. Remove the existing Tri-Light/Lane Light assembly, if necessary. For more information, refer to [Removing Tri-Light/Lane Light Assembly](#) on page 6.
2. Tie the Tri-Light/Lane Light assembly to the Tri-Light/Lane Light pole using a cable tie, as shown in the image below.

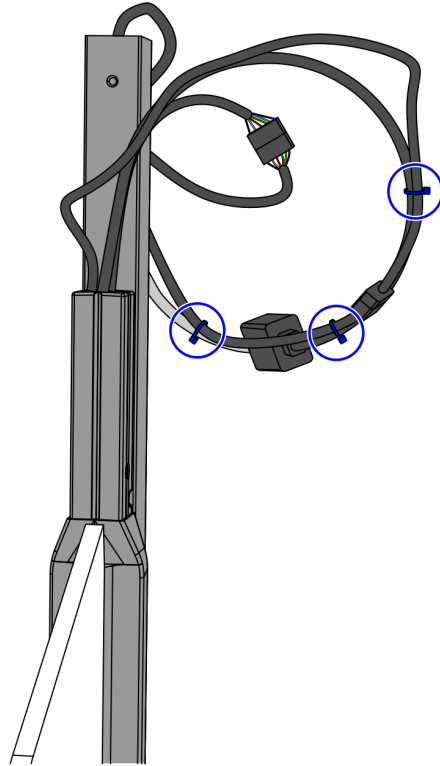


CCP-76837

3. Connect the Tri-Light/Lane Light with Camera Assembly cables.



4. Install three (3) cable ties on each side of the power connector and on the Ethernet cable to provide strain relief as shown in the image below.



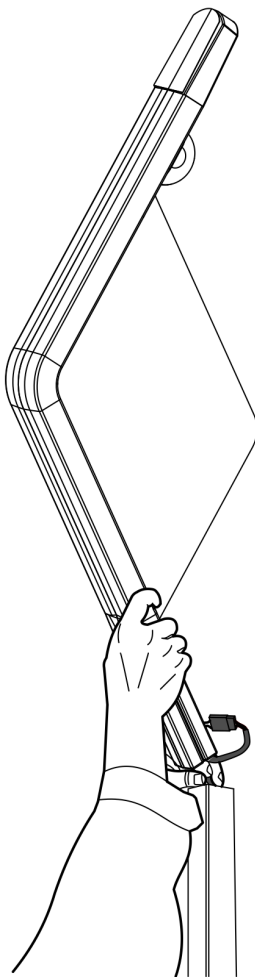
CCP-77705

5. Orient the Tri-Light/Lane Light assembly so that the Lane Light faces the front of the unit.

6. Insert the Tri-Light/Lane Light assembly into the Tri-Light/Lane Light pole. Ensure that the pole holes are aligned.



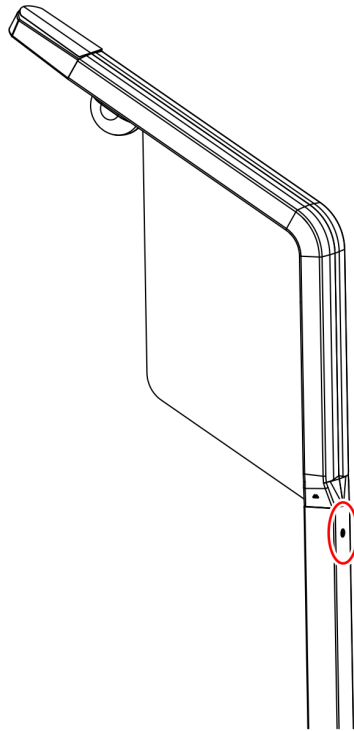
Tip: To easily insert the cables with connectors through the pole, insert first the LAN cable followed by the Power cable, and then the Tri-Light/Lane Light Assembly cable. Once the extenders are through the pole, slowly push the Tri-Light/Lane Light assembly into pole.



7. Connect the Tri-Light/Lane Light and Power cables to the corresponding I/O Box port destinations:

Tri-Light	Destination Connection (Location)
Tri-Light/Lane Light cable extender	I/O Box (Tri-Light/Lane Light port)
Ethernet (LAN) cable extender	Ethernet (LAN)
I/O Box (Power) cable extender	I/O Box (Input Belt)

8. Secure the Tri-Light/Lane Light assembly to the pole with a screw.



CCP-76738

9. Run the ADD utility to ensure device is updated with the latest firmware.

Configuring Camera Settings

Before configuring the camera settings, do the following:

- A. Obtain the IP address settings of the removed camera. This will be used to set the IP address of the new Camera. For more information, contact an NCR Representative or the Retailer's Help Desk.



Note: For new camera installation, IP Addresses are pre-allocated by the Retailer's IT Team.

- B. Install the Tri-Light/Lane Light with Camera assembly, if necessary. For more information, refer to [Installing Tri-Light/Lane Light with Camera Assembly](#) on page 16.
- C. Install the HikVision Search Active Devices Protocol (SADP) tool, if necessary. For more information, refer to [Installing SADP Tool](#) on page 23.

To configure the Camera Settings, follow these steps:



Note: Ensure that the Camera and the device (DVA, lane, computer or laptop) used for configuration are connected to the same network.

1. Select the SADP tool icon from desktop to open the application.



The SADP interface appears and displays active devices with corresponding IP addresses, as shown in the image below.

ID	Device Type	Status	IPv4 Address	Port	Software Version	IPv4 Gateway	HTTP Port	Device Serial No.	Subnet Mask	MAC Address	Encoding Ch
001	DS-2CD2D21G0-D/NF	Active	169.254.41.164	8000	V5.5.92build 190...	0.0.0.0	80	DS-2CD2D21G0-D/NF20190407AA...	255.255.0.0	98-8b-0a-52-9f-6d	0
002	DS-2CD2D21G0-D/NF	Active	169.254.17.164	8000	V5.5.92build 190...	0.0.0.0	80	DS-2CD2D21G0-D/NF20190407AA...	255.255.0.0	98-8b-0a-52-9f-7d	0
003	DS-2CD2D21G0-D/NF	Active	153.73.132.43	8000	V5.5.92build 190...	153.73.132.33	80	DS-2CD2D21G0-D/NF20190407AA...	255.255.255...	98-8b-0a-52-9f-76	0
004	HD-IPCAMERA	Active	192.168.1.88	8000	V4.0.3build 1210...	192.168.1.1	N/A	HD-IPCAMERA0120121218BBRR80...	255.255.255.0	00-5a-20-a9-95...	1

2. Select **Refresh** to update the devices listed and their corresponding information.



Total number of online devices: 4

ID	Device Type	Status	IPv4 Address	Port	Software Version	IPv4 Gateway	HTTP Port	Device Serial No.	Subnet Mask	MAC Address	Encoding Ch
001	DS-2CD2D21G0-D/NF	Active	169.254.41.164	8000	V5.5.92build 190...	0.0.0.0	80	DS-2CD2D21G0-D/NF20190407AA...	255.255.0.0	98-8b-0a-52-9f-6d	0
002	DS-2CD2D21G0-D/NF	Active	169.254.17.164	8000	V5.5.92build 190...	0.0.0.0	80	DS-2CD2D21G0-D/NF20190407AA...	255.255.0.0	98-8b-0a-52-9f-7d	0
003	DS-2CD2D21G0-D/NF	Active	153.73.132.43	8000	V5.5.92build 190...	153.73.132.33	80	DS-2CD2D21G0-D/NF20190407AA...	255.255.255...	98-8b-0a-52-9f-76	0
004	HD-IPCAMERA	Active	192.168.1.88	8000	V4.0.3build 1210...	192.168.1.1	N/A	HD-IPCAMERA01201218BBRR80...	255.255.255.0	00-5a-20-a9-95...	1

3. Modify the network parameters by the doing the following, if necessary:
 - a. Select the camera to modify by checking the check box.
 - a. Select the arrow on the right side of the interface.



Total number of online devices: 4

ID	Device Type	Status	IPv4 Address	Port	Software Version	IPv4 Gateway	HTTP Port	Device Serial No.	Subnet Mask	MAC Address	Encoding Ch
001	DS-2CD2D21G0-D/NF	Active	169.254.41.164	8000	V5.5.92build 190...	0.0.0.0	80	DS-2CD2D21G0-D/NF20190407AA...	255.255.0.0	98-8b-0a-52-9f-6d	0
002	DS-2CD2D21G0-D/NF	Active	169.254.17.164	8000	V5.5.92build 190...	0.0.0.0	80	DS-2CD2D21G0-D/NF20190407AA...	255.255.0.0	98-8b-0a-52-9f-7d	0
003	DS-2CD2D21G0-D/NF	Active	153.73.132.43	8000	V5.5.92build 190...	153.73.132.33	80	DS-2CD2D21G0-D/NF20190407AA...	255.255.255...	98-8b-0a-52-9f-76	0
004	HD-IPCAMERA	Active	192.168.1.88	8000	V4.0.3build 1210...	192.168.1.1	N/A	HD-IPCAMERA01201218BBRR80...	255.255.255.0	00-5a-20-a9-95...	1

The side panel opens and displays settings of the selected camera.



Modify Network Parameters

Enable DHCP

Device Serial No.:

IP Address:

Port:

Subnet Mask:

Gateway:

IPv6 Address:

IPv6 Gateway:

IPv6 Prefix Length:

HTTP Port:

Security Verification:

Admin Password:

- b. Update the IP Address of the camera.
- c. Select **Modify** to save the changes.

Installing SADP Tool

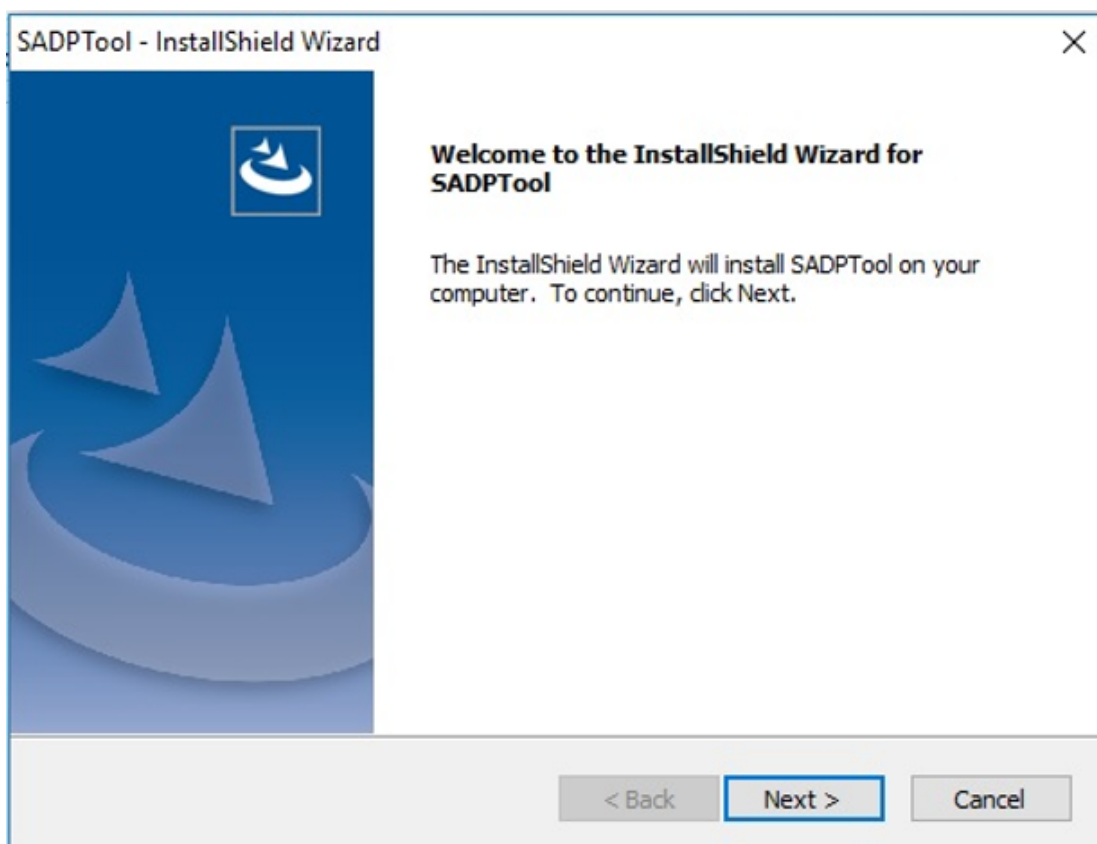
The Search Active Devices Protocol (SADP) is an online device search tool that allows users to search and to modify network information of online devices. For more information about SADP Tool, refer to [HikVision Tools Download](#).



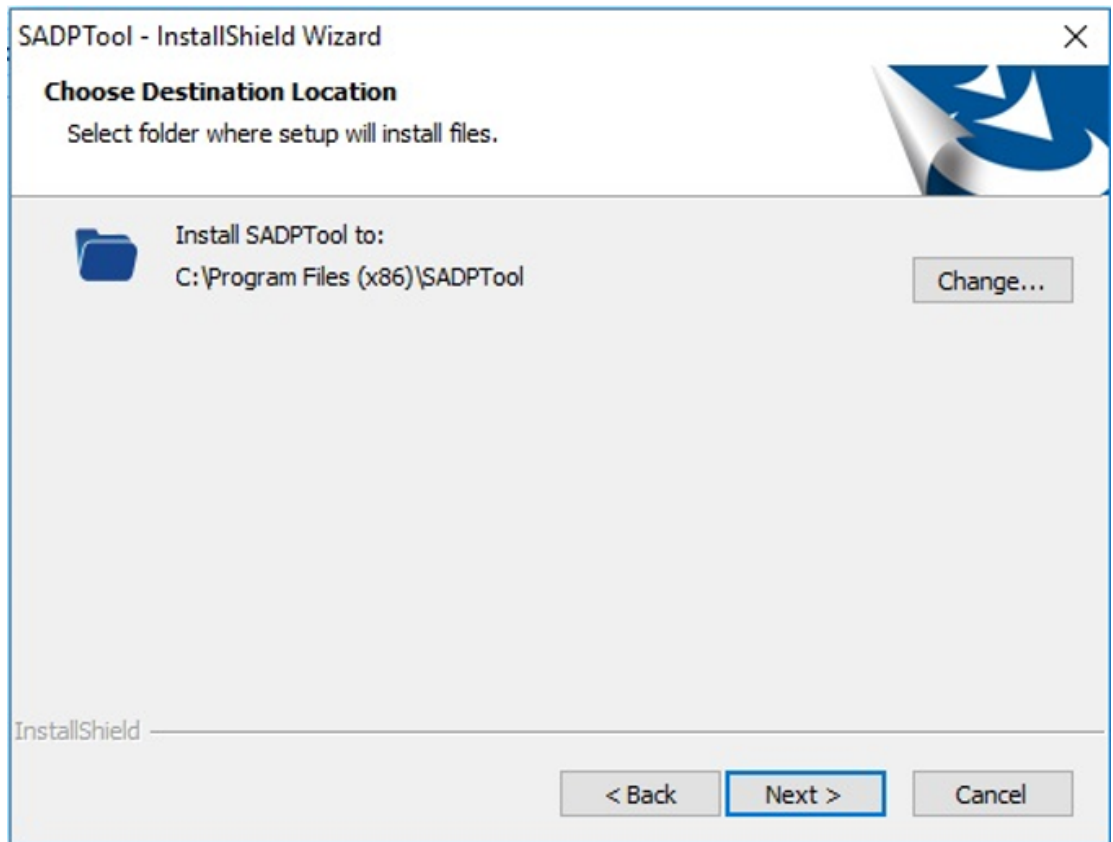
Note: Ensure that the camera and the device (DVA, lane, computer or laptop) used for configuration are connected to the same network.

To install the HikVision SADP Tool, follow these steps:

1. Unzip the installation package to the DVA or lane.
2. Open the directory where the executable file is located.
3. Run the `SADPTool.exe` file. The SADP Tool setup window appears.

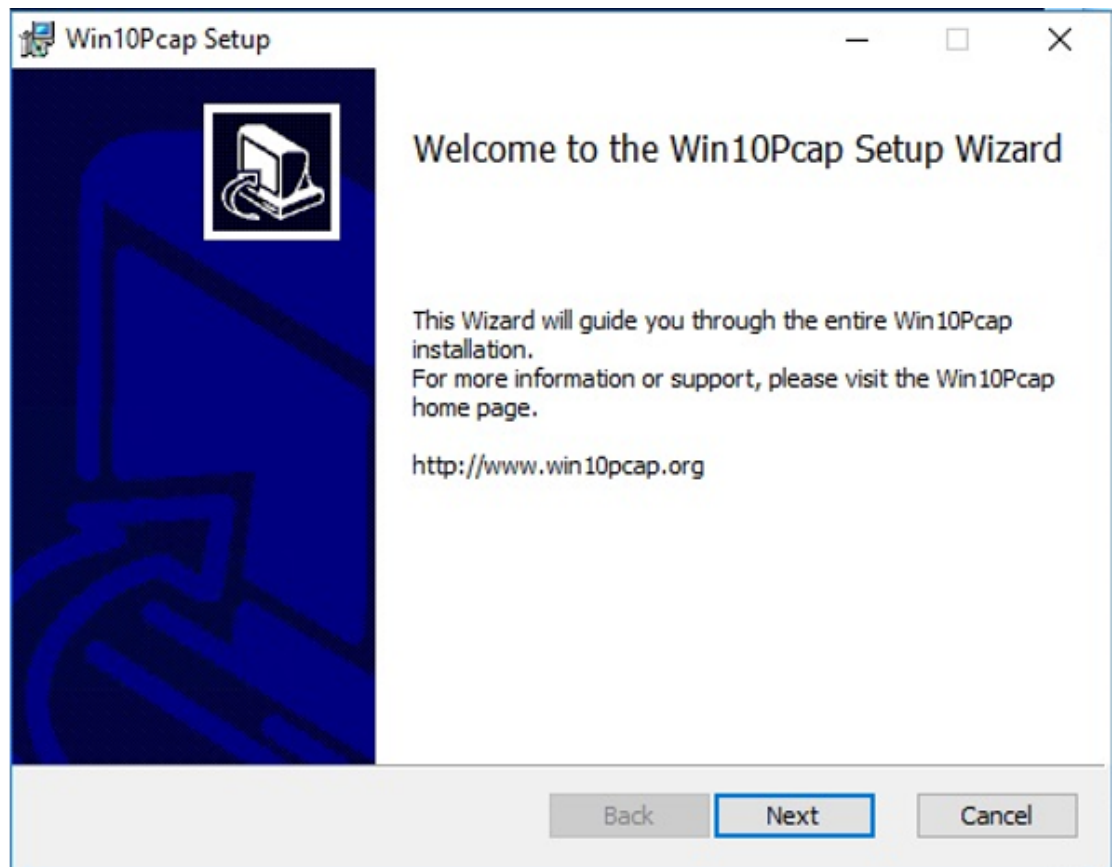


4. Select **Next**. The installation window shows the default destination folder.

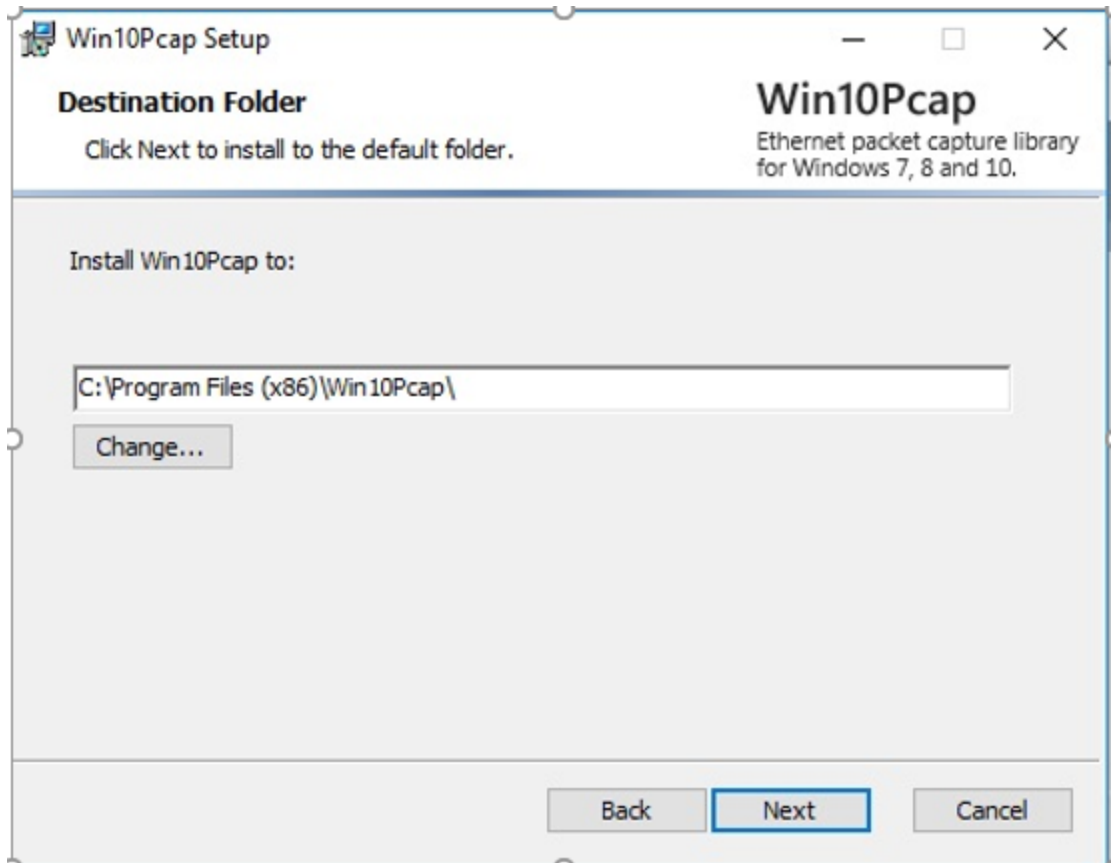


5. Select **Change** to enter a different destination from the default destination folder, if necessary.

6. Select **Next** throughout the process to choose all default settings until the window notifies that installation is complete. A setup window for Win10Pcap appears once SADP installation is completed.

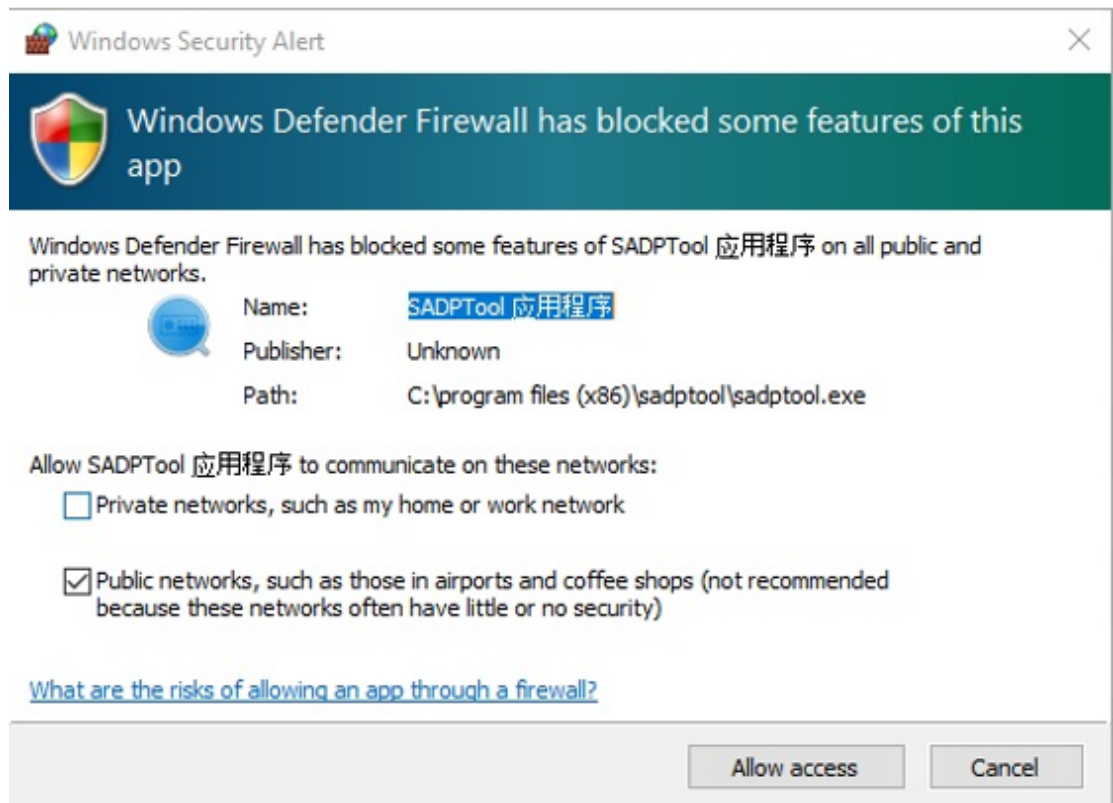


7. Select **Next**. The installation window shows the default destination folder.



8. Select **Change** to enter a different destination from the default destination location, if necessary.

9. Select **Next** to continue. The Windows Security Alert appears.



10. Select **Next** to proceed with the installation. The SADP Tool icon appears on the desktop once installation is completed.