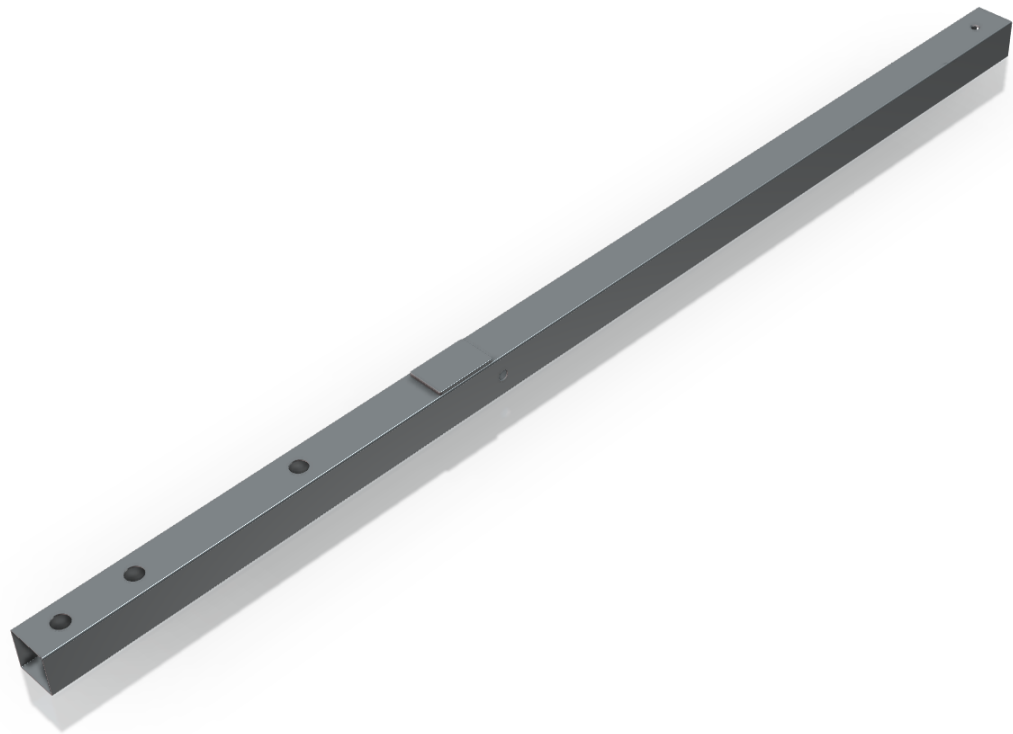


Kit Instructions

R6L Plus Tri-Light/Lane Light Pole with Cable



7358-K067
Issue A



The product described in this document is a licensed product of NCR Corporation.

NCR is a registered trademark of NCR Corporation. NCR FastLane SelfServ™ Checkout is a trademark of NCR Corporation in the United States and/or other countries. Other product names mentioned in this publication may be trademarks or registered trademarks of their respective companies and are hereby acknowledged.

The terms HDMI and HDMI High-Definition Multimedia Interface, and the HDMI Logo are trademarks or registered trademarks of HDMI Licensing LLC in the United States and other countries.

Where creation of derivative works, modifications or copies of this NCR copyrighted documentation is permitted under the terms and conditions of an agreement you have with NCR, NCR's copyright notice must be included.

It is the policy of NCR Corporation (NCR) to improve products as new technology, components, software, and firmware become available. NCR, therefore, reserves the right to change specifications without prior notice.

All features, functions, and operations described herein may not be marketed by NCR in all parts of the world. In some instances, photographs are of equipment prototypes. Therefore, before using this document, consult with your NCR representative or NCR office for information that is applicable and current.

To maintain the quality of our publications, we need your comments on the accuracy, clarity, organization, and value of this book. Please use the link below to send your comments.

EMail: FD230036@ncr.com

Copyright © 2020
By NCR Corporation
Global Headquarters
864 Spring St. NW
Atlanta, GA 30308
United States
All Rights Reserved

Revision Record

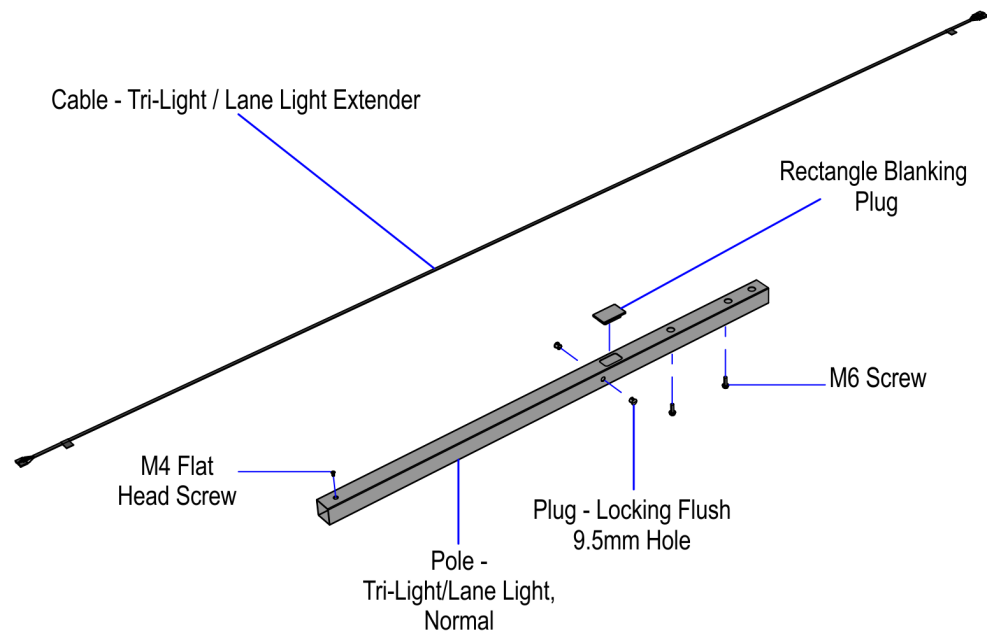
Issue	Date	Remarks
A	Sep 2019	First Issue

R6L Plus Tri-Light/Lane Light Pole with Cable

This publication provides procedures for installing an R6L Plus Tri-Light/Lane Light Pole to any of the following SelfServ Checkout units:

- NCR SelfServ™ Checkout (7350)
- NCR SelfServ™ Checkout (7350) R6 Lite
- NCR FastLane SelfServ™ Checkout (7358)

Kit Contents



CCP-77265

Part Number	Description
497-0525418	KIT-R6L Tri-Light Pole, Standard Length with cable
497-0521360	Tri-Light Pole - R6L Plus
006-8623599	Plug - Locking, Flush, 9.5 mm hole, Black (2 pcs)
006-8624305	Rectangle Blanking Plug (42 x 23.8 mm)
006-8624498	Screw - M4x.7x8mm, flat head, stainless
009-0006598	Screws M6 x 20 (2 pcs)

Part Number	Description
497-0510676	Cable - Tri-Light/Lane Light Extender, STD POLE, 110"
* 497-0423108	Instructions-Kit (Reference Sheet)

* Items marked with an asterisk are not called out on the image.

Installation Procedures

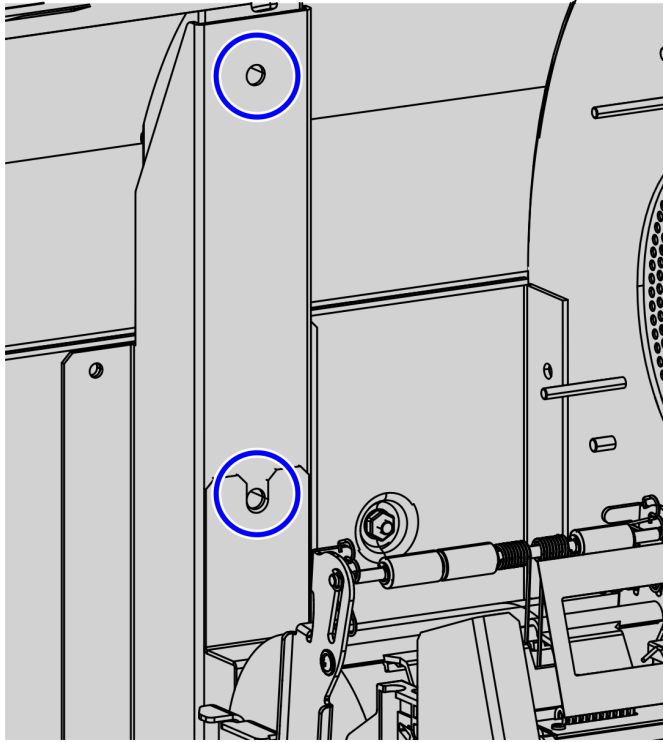
Installing the R6L Plus Tri-Light/Lane Light Pole involves the following procedures:

- [Removing Tri-Light/Lane Light Pole](#) on the next page.
- [Installing Tri-Light/Lane Light Pole](#) on page 5.

Removing Tri-Light/Lane Light Pole

To remove the Tri-Light/Lane Light pole, follow these steps:

1. Remove the existing Tri-Light/Lane Light assembly, if necessary.
2. Remove two screws securing the pole to the unit.



CCP-72722

3. Disconnect the Tri-Light/Lane Light cable from the I/O Box.
4. Carefully lift the pole out of the unit.

Installing Tri-Light/Lane Light Pole

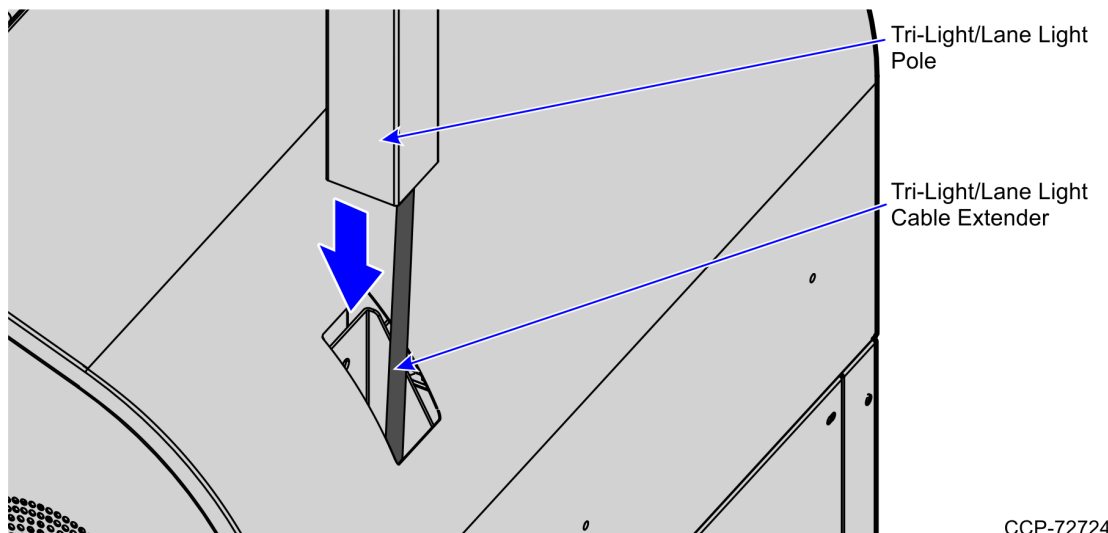
To install the Tri-Light/Lane Light pole, follow these steps:

1. Insert the Tri-Light/Lane Light cable extender through the Tri-Light/Lane Light pole.

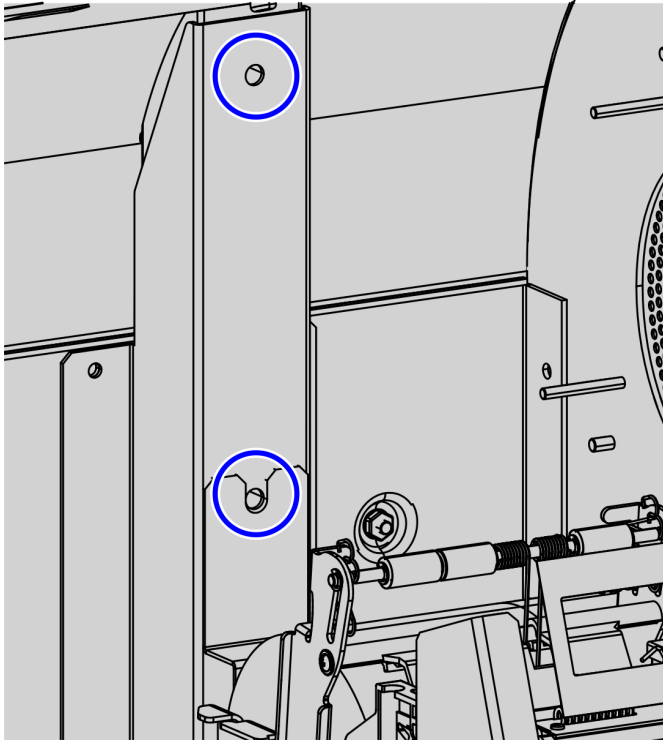


Tip: To make routing the cable extender through the pole easier, first attach a weight (for example, a large bolt) to a long piece of string and drop the weighted end of the string through the Tri-Light/Lane Light pole (starting at the top-end). Once the string is threaded through the pole, tie the non-weighted end of the string around the cable connector and then pull the cable extender through the pole.

2. Carefully insert the pole into the Upper Cabinet.



3. Secure the pole to the Upper Cabinet using two screws.



CCP-72722

4. Install the Tri-Light/Lane Light assembly.