

Kit Instructions

Security Door Electronic Lock (La Gard)



7358-K055
Issue A



The product described in this document is a licensed product of NCR Corporation.

NCR is a registered trademark of NCR Corporation. NCR FastLane SelfServ™ Checkout is a trademark of NCR Corporation in the United States and/or other countries. Other product names mentioned in this publication may be trademarks or registered trademarks of their respective companies and are hereby acknowledged.

The terms HDMI and HDMI High-Definition Multimedia Interface, and the HDMI Logo are trademarks or registered trademarks of HDMI Licensing LLC in the United States and other countries.

Where creation of derivative works, modifications or copies of this NCR copyrighted documentation is permitted under the terms and conditions of an agreement you have with NCR, NCR's copyright notice must be included.

It is the policy of NCR Corporation (NCR) to improve products as new technology, components, software, and firmware become available. NCR, therefore, reserves the right to change specifications without prior notice.

All features, functions, and operations described herein may not be marketed by NCR in all parts of the world. In some instances, photographs are of equipment prototypes. Therefore, before using this document, consult with your NCR representative or NCR office for information that is applicable and current.

Copyright © 2024
By NCR Corporation
Global Headquarters
864 Spring St. NW
Atlanta, GA 30308
United States
All Rights Reserved

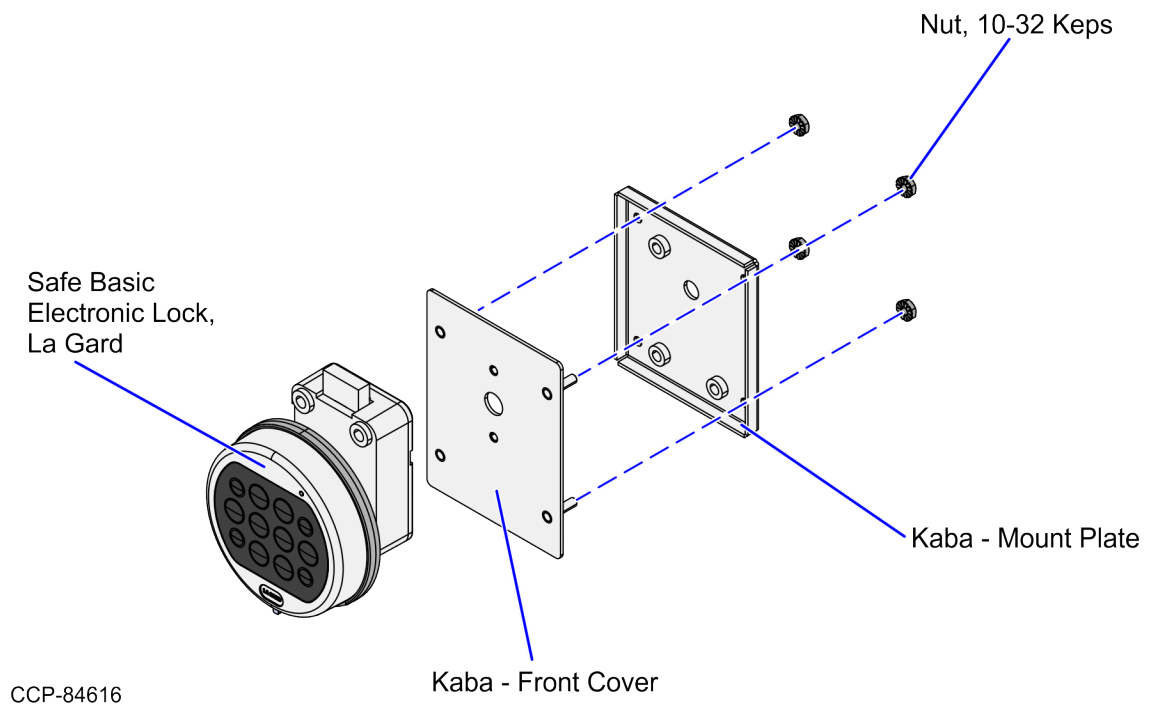
Revision Record

Issue	Date	Remarks
A	Jun 2024	First Issue

Security Door Electronic Lock (La Gard)

This publication provides procedures for installing an SecElectronic Lock (La Gard) on the Security Door of an NCR FastLane SelfServ™ Checkout (7358) R6L Plus unit.

Kit Contents



Part Number	Description
497-0534653	7358-K055 Electronic Lock Kit
006-8627089	Safe Basic Electronic Lock, La Gard
497-0521424	Kaba - Front Cover
497-0527655	Kaba - Mount Plate
006-8604515	Nut, 10-32 Keps (4 Pcs)
* 497-0423108	Instructions – Kit (Reference Sheet)

* Items marked with an asterisk are not called out on the image.

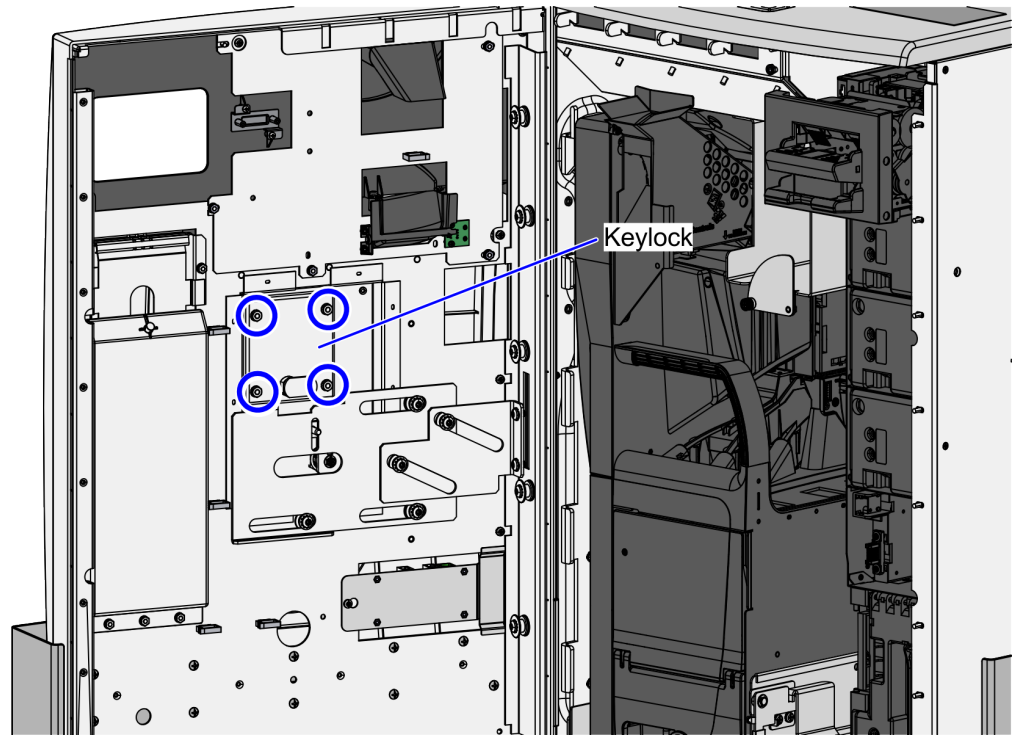
Installation Procedures

To install the Electronic Lock (La Gard), follow these steps:

1. Open the Core Door. For more information, refer to [Opening the Core Door](#) on page 4.
2. Detach the Keylock by removing four (4) nuts from the back of the Core Door.

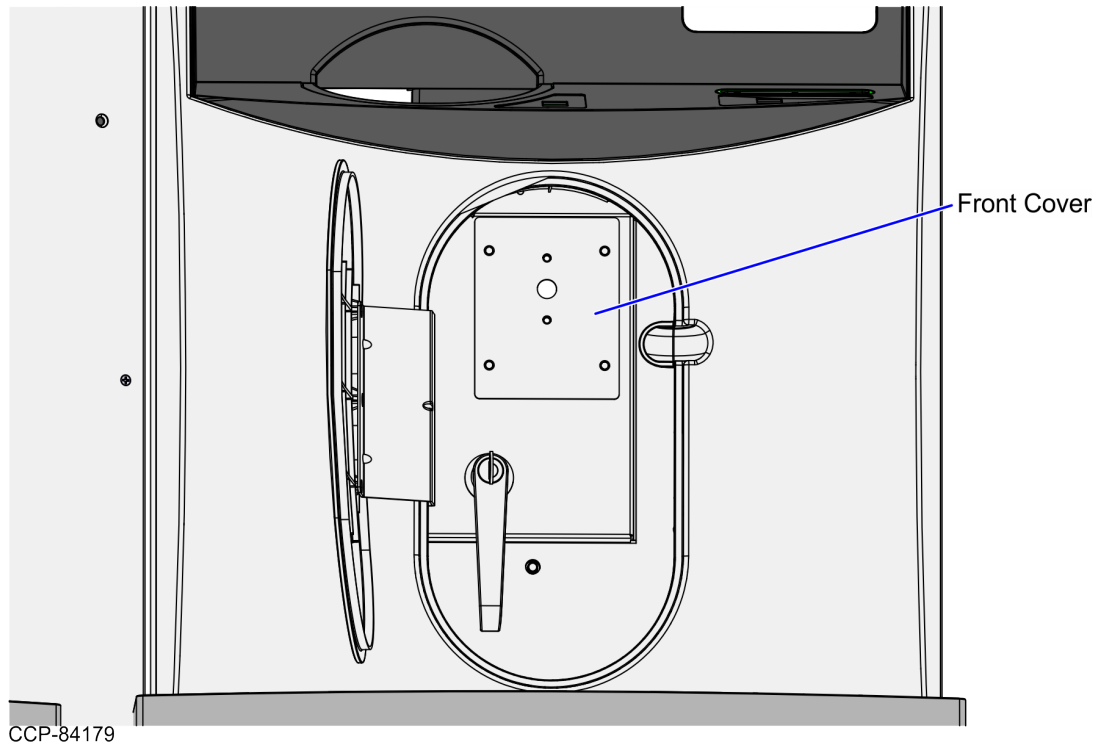


Note: For units with an existing Electronic Lock, refer to [Removing the Electronic Lock](#) on page 8.

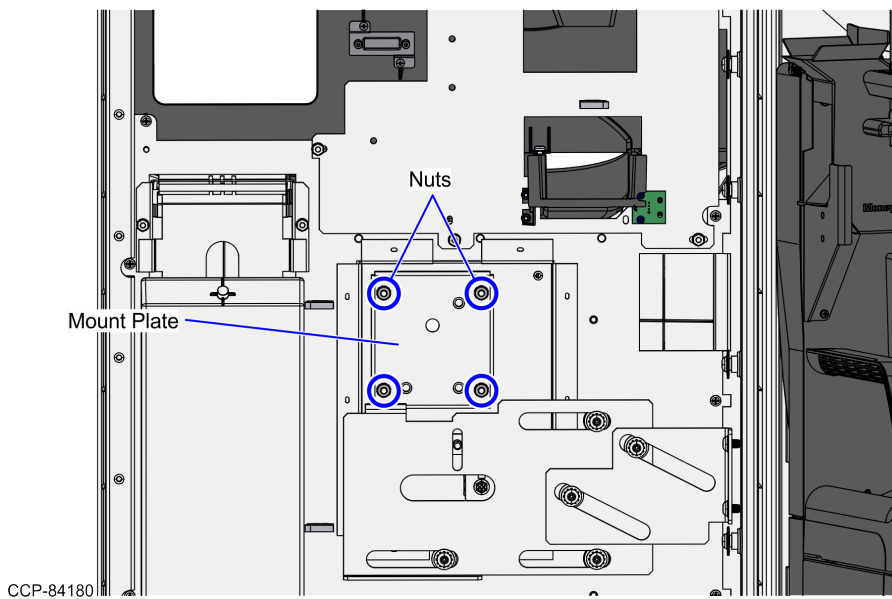


CCP-84176

3. Install the Front Cover on the front of the Core Door.



4. Install the Mount Plate and secure it with four (4) nuts at the back of the Core Door, as shown in the image below.



5. Install the Electronic Lock (La Gard). For more information, refer to [Installing the Electronic Lock](#) on page 11.

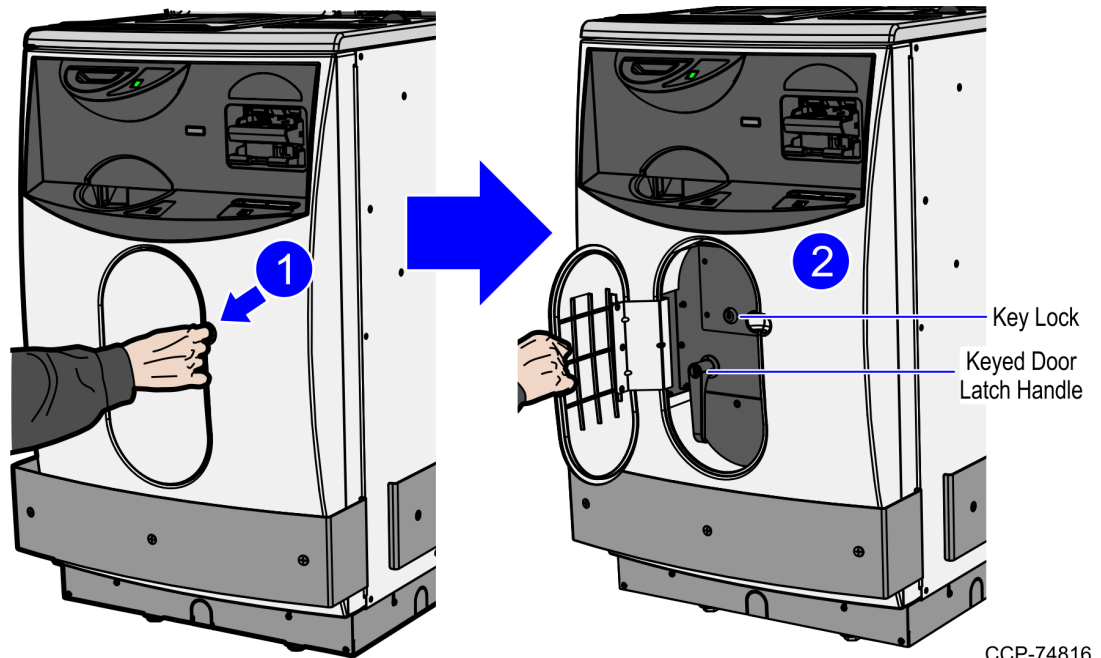
Opening the Core Door

To open the Core Door, follow these steps:



Note: For units with Electronic Locks, refer [Opening the Electronic Lock](#) on page 6.

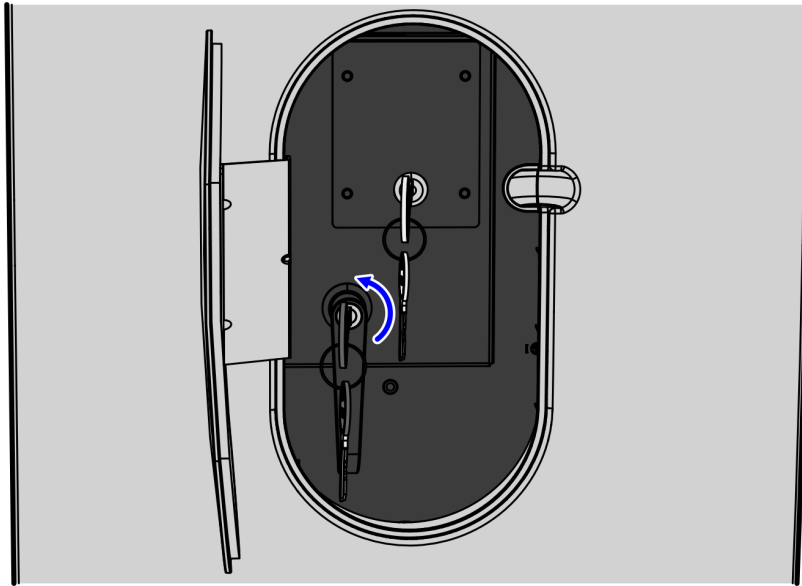
1. Use the finger access on the small door to access the door locks, as shown below:



CCP-74816

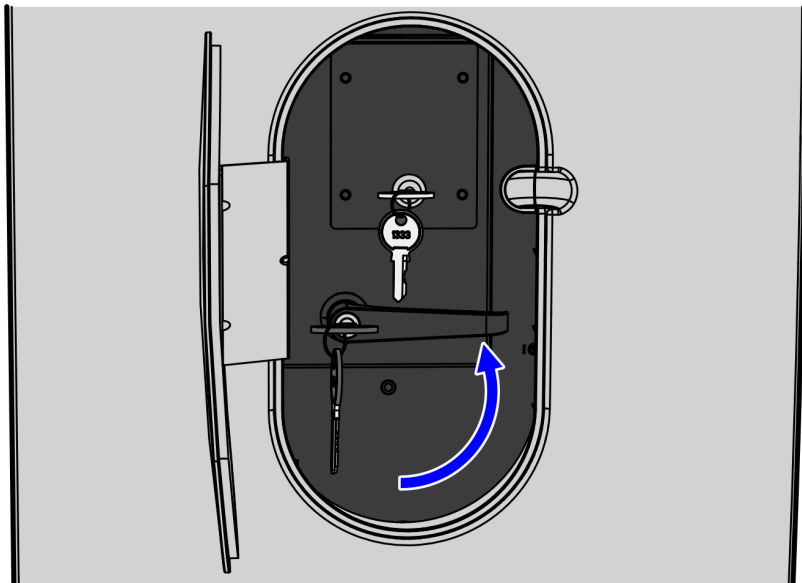
2. In the middle keyhole, insert a key.

3. In the Door Latch Handle keyhole, insert a key and then turn it counterclockwise.



CCP-72701

4. Turn the Door Latch Handle upward and then pull to open the Core Door.

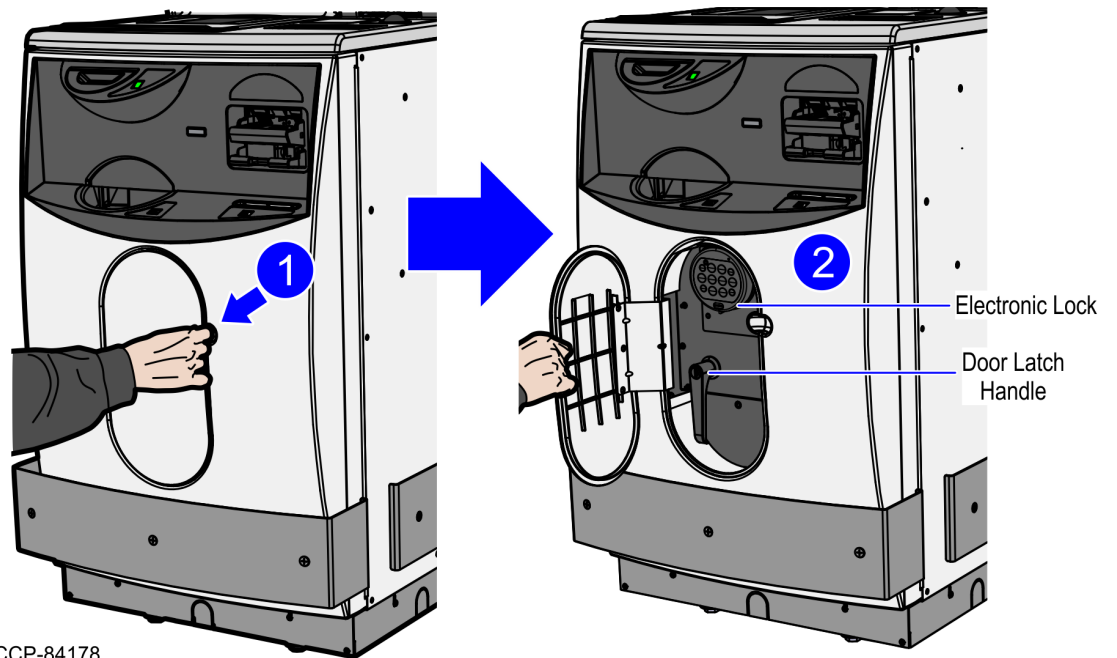


CCP-72702

Opening the Electronic Lock

To open the Electronic Lock, follow these steps:

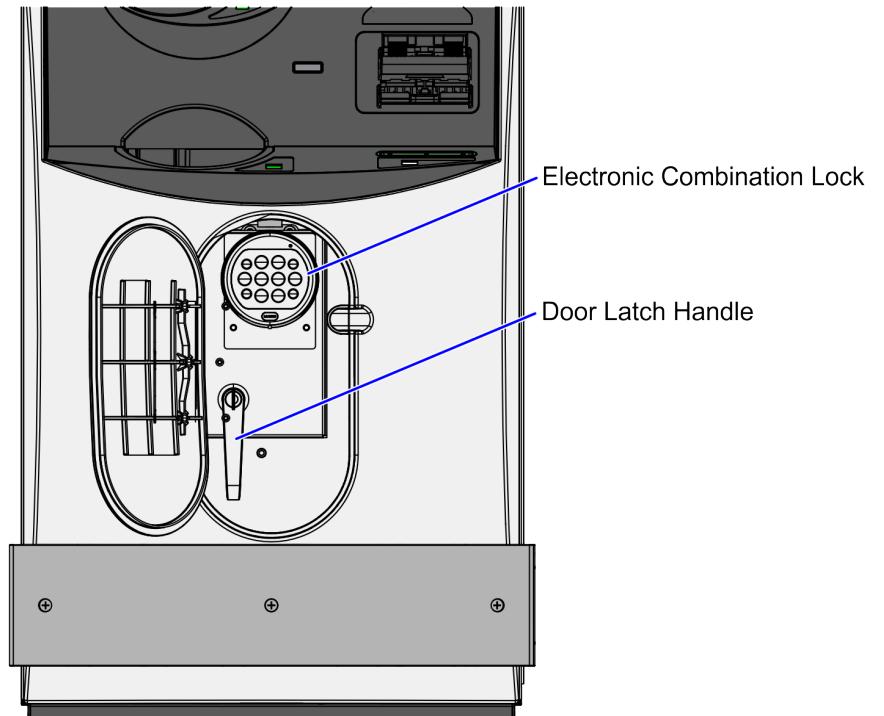
1. Use the finger access on the small door to access the door locks, as shown below.



2. Enter a valid combination in the Electronic Combination Lock. Once a valid combination is entered, the LED flashes two times and beeps two times.



Note: If the combination is invalid, the Electronic Combination Lock LED flashes three times and beeps three times. Entering four consecutive invalid combinations starts a five-minute delay period, during which the Lock LED flashes red at ten-second intervals. The five-minute delay period restarts after two more consecutive invalid combination entries.



3. Within four seconds, turn the Door Latch Handle and the Electronic Combination Lock to the open position and open the Core Door.

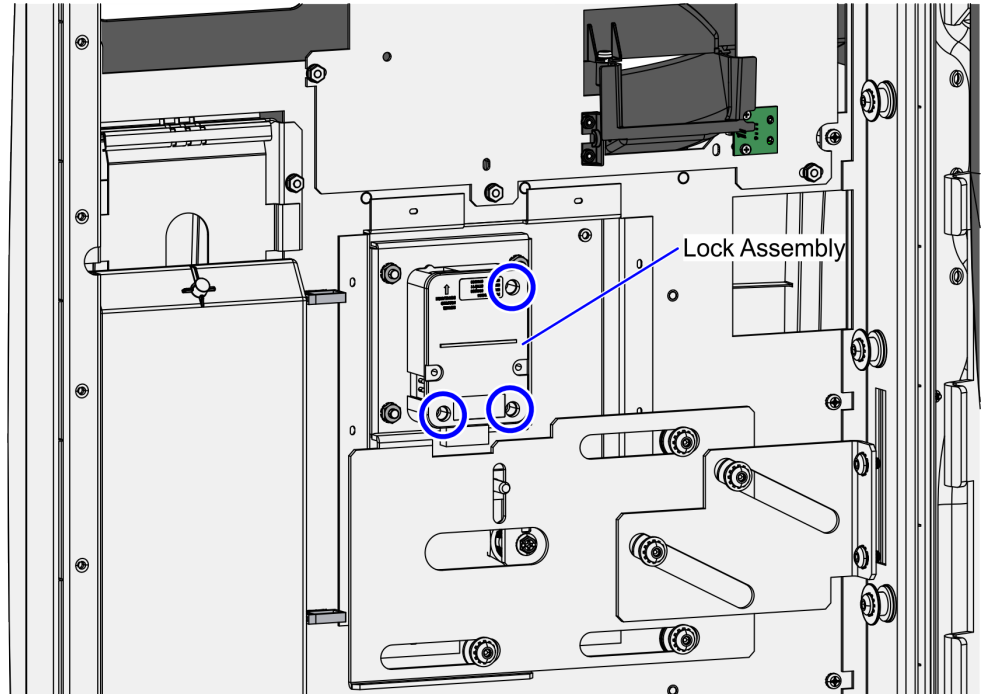


Note: To change the combination number, refer to [Changing the Combination of the Electronic Lock](#) on page 22.

Removing the Electronic Lock

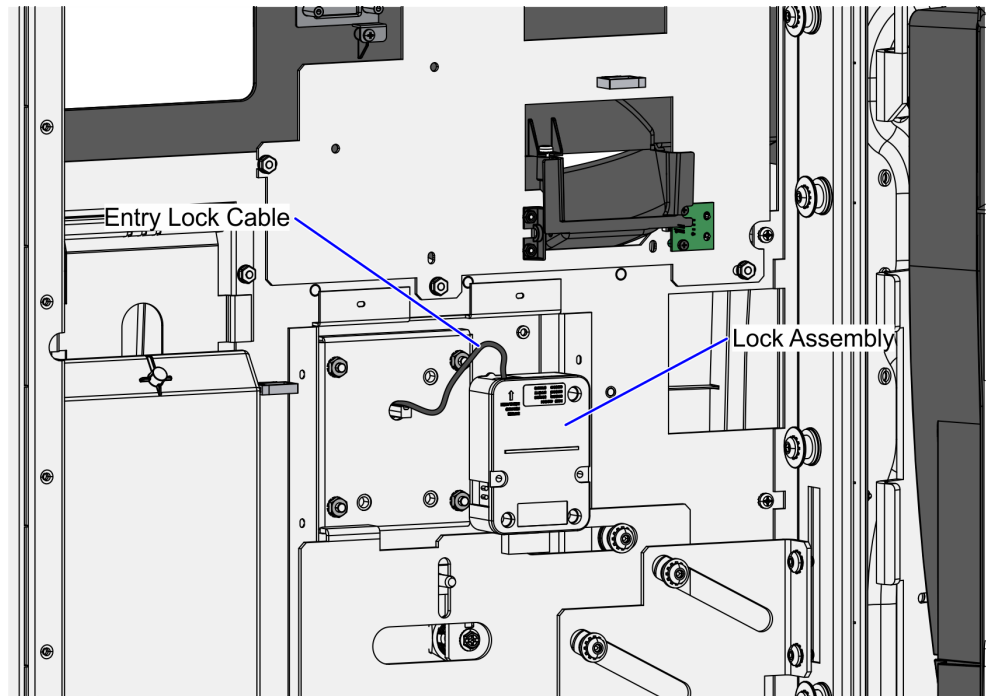
To remove the Electronic Lock, follow these steps:

1. Open the Electronic Lock. For more information, refer to [Opening the Electronic Lock](#) on page 6.
2. Remove the Lock Assembly by doing the following:
 - a. Detach the Lock Assembly from the Security Door by removing three (3) bolts, as shown in the image below.



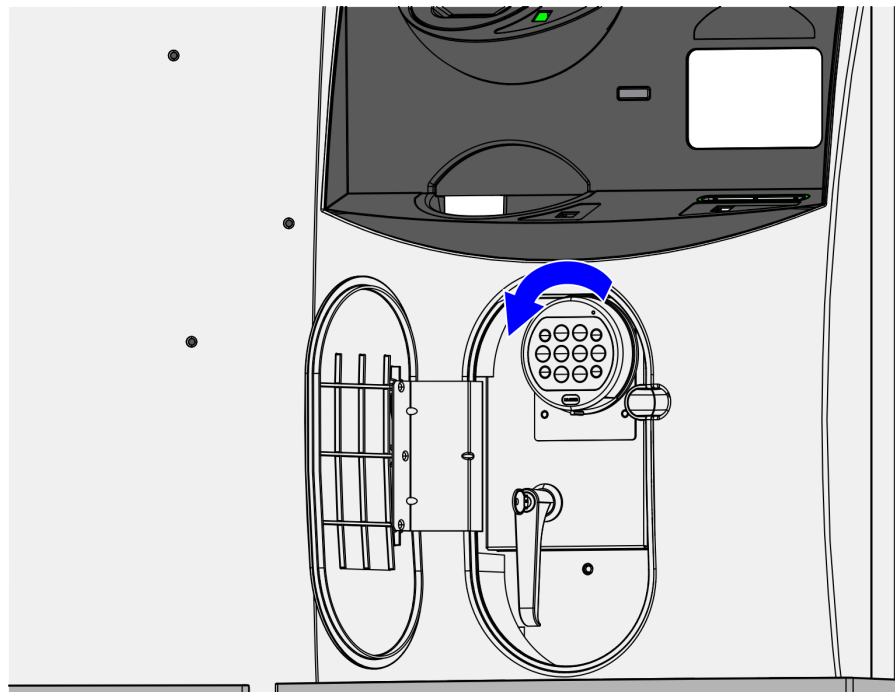
CCP-84185

- b. Disconnect the Entry Lock Cable from the connector port of the Lock Assembly, as shown in the image below.



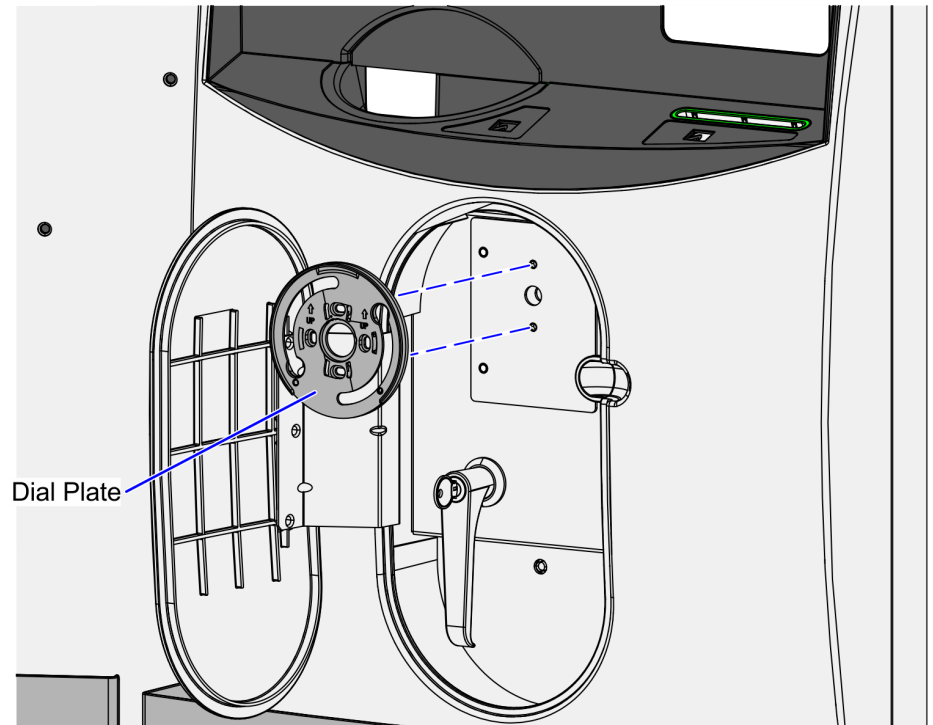
CCP-84186

3. Rotate the Entry Device Assembly at approximately 30° counterclockwise to disengage it from the Dial Plate, as shown in the image below.



CCP-84183

4. Detach the Dial Plate from the Security Door by removing two (2) screws, as shown in the image below.



CCP-84187

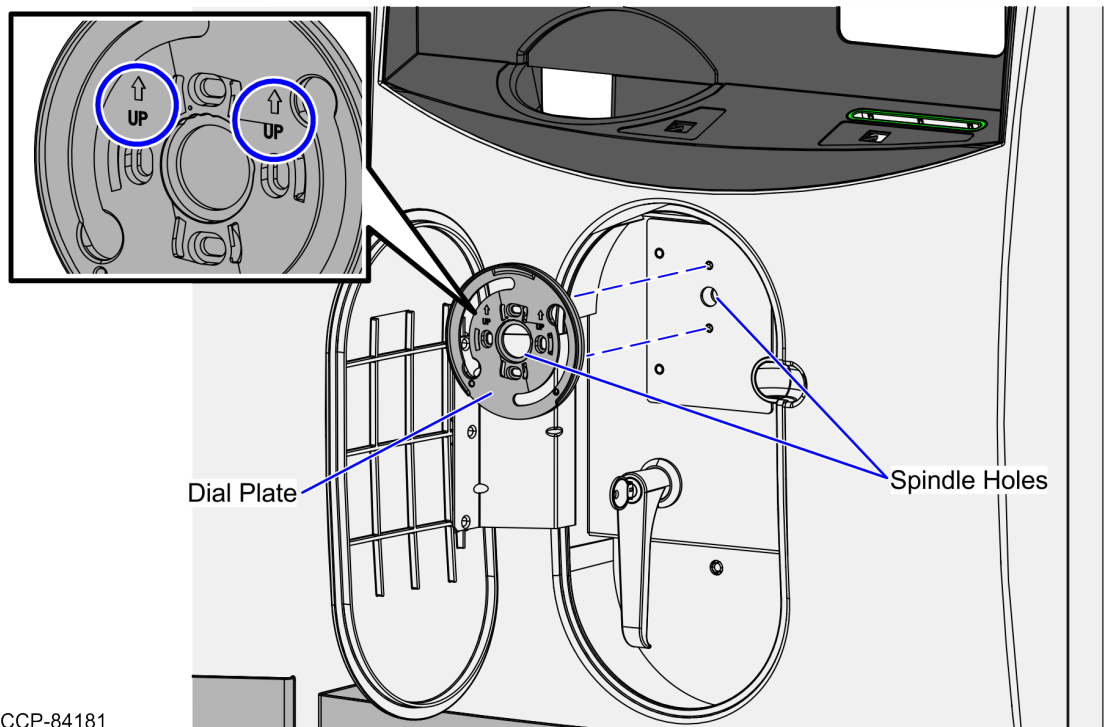
Installing the Electronic Lock

To install the Electronic Lock, follow these steps:

1. Remove the existing Electronic Lock, if necessary. For more information, refer to [Removing the Electronic Lock](#) on page 8.
2. Align the Dial Plate to the Spindle hole of the Security Door and then secure it using two (2) screws, as shown in the image below.

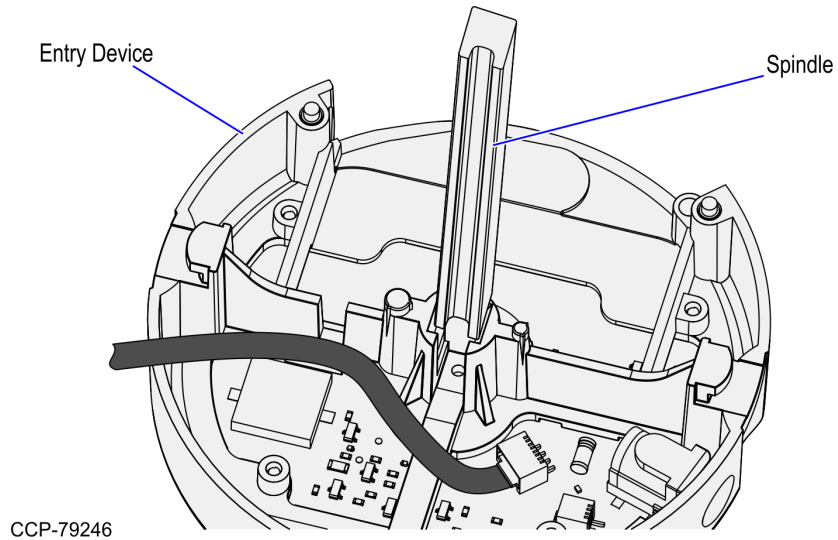


Note: Ensure that the Dial Plate is in its proper orientation with the UP labels pointing upwards.

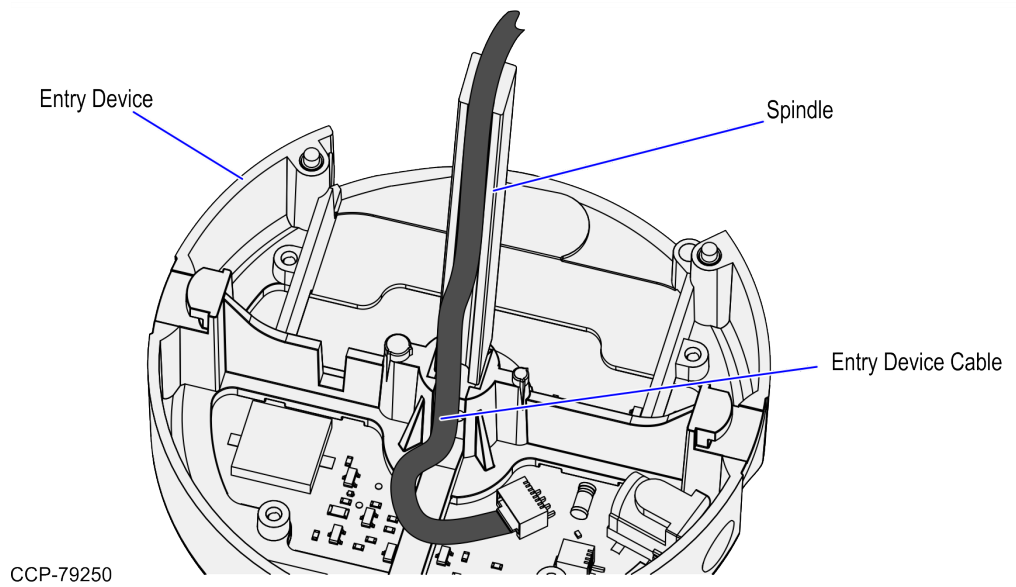


CCP-84181

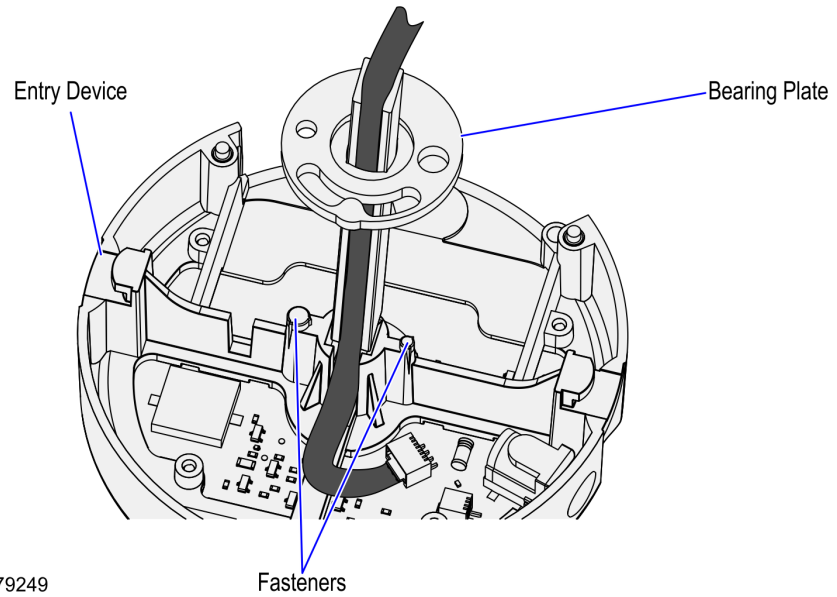
3. Assemble the Entry Device Assembly by doing the following:
 - a. Insert the Spindle into the Entry Device and ensure that it is fully seated in the slot.



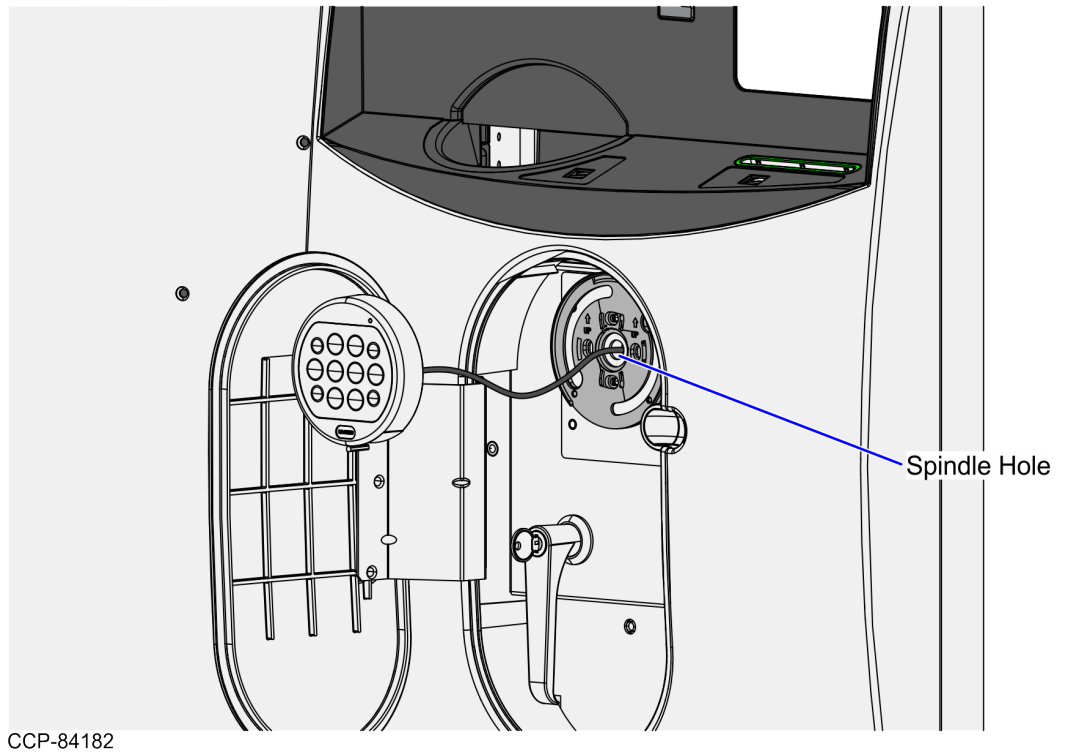
- b. Route the Entry Device cable in the groove of the Spindle, as shown in the image below.



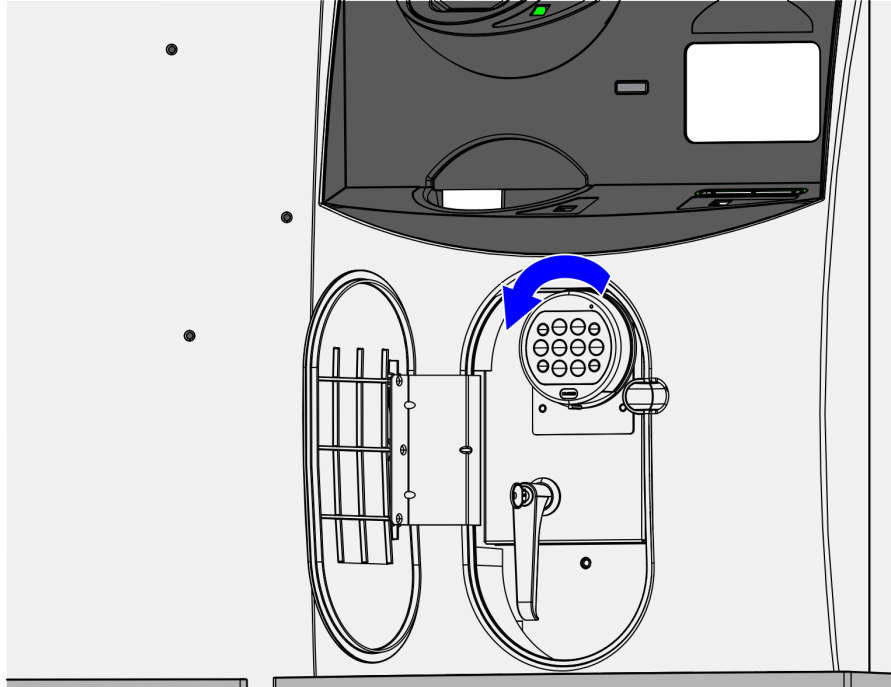
- c. Slide the Bearing Plate over the cable and spindle and then press onto the fasteners of the Entry Device.



- 4. Feed the Entry Lock Cable through the Spindle hole, as shown in the image below.

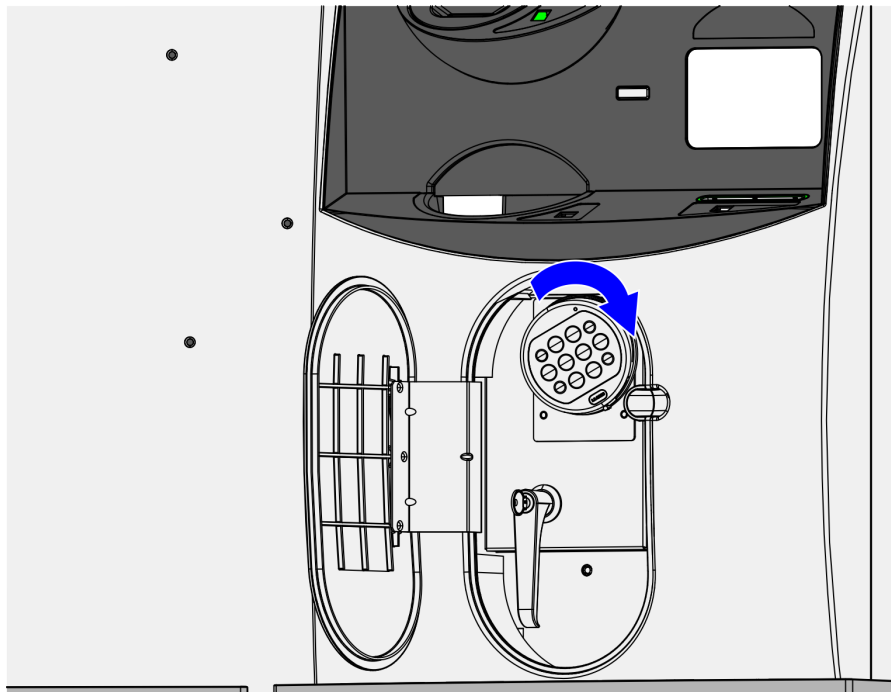


5. Secure the Entry Device Assembly to the Dial Plate on Security Door by doing the following:
 - a. Rotate the Entry Device approximately 30° counterclockwise to engage its bushings into the large openings of the Dial Plate, as shown in the image below.



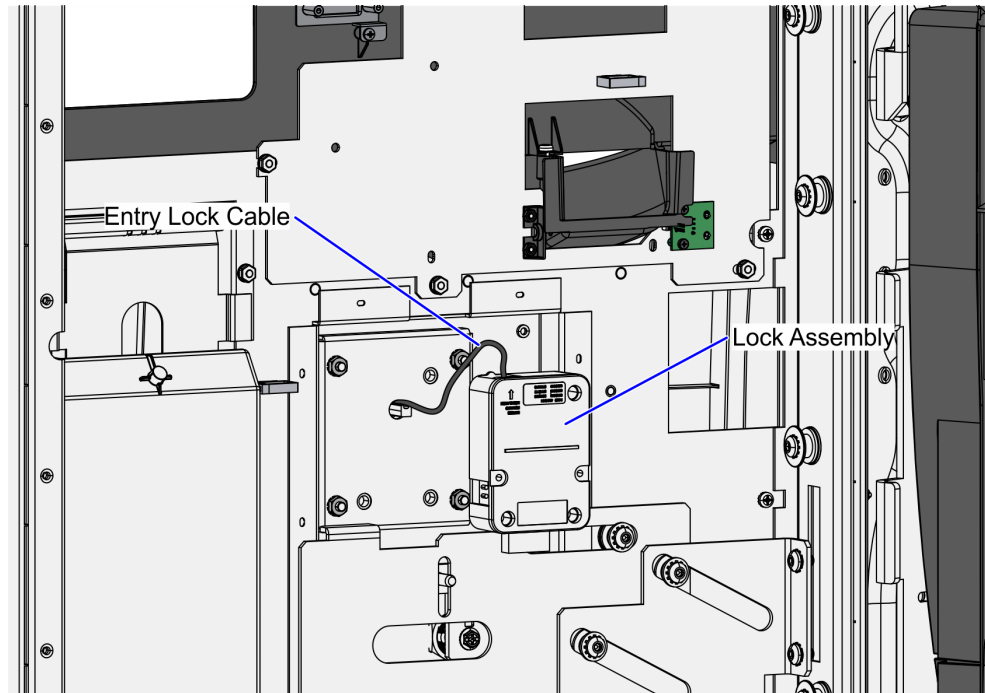
CCP-84183

- b. Turn the Entry Device clockwise until it is in vertical orientation.



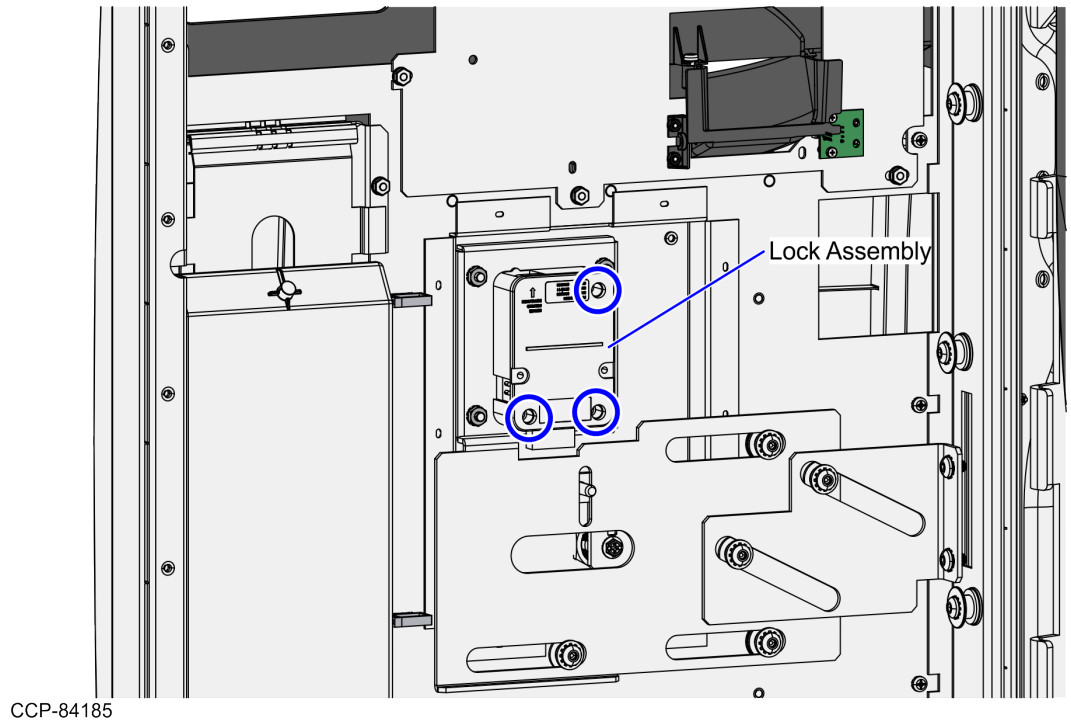
CCP-84184

6. Install the Lock Assembly by doing the following:
 - a. Connect the Entry Lock Cable to the connector port of the Lock Assembly and then secure the excess cable on the bridge lance of the Security Door.



CCP-84186

- b. Align the Spindle hole of the Lock Assembly to the protruding Spindle and then secure the Lock Assembly on the door using three (3) bolts, as shown in the image below.



To change the combination of the Electronic Combination Lock, refer to [Changing the Combination of the Electronic Lock](#) on page 22.

Removing the Electronic Lock Battery

If the Combination Lock LED flashes and beeps repeatedly when the door is open, the battery is low and needs to be replaced. It is recommended to replace the battery at least once per year.



Note: This procedure assumes that the battery is depleted and the lock cannot be opened.

To remove the battery, follow these steps:

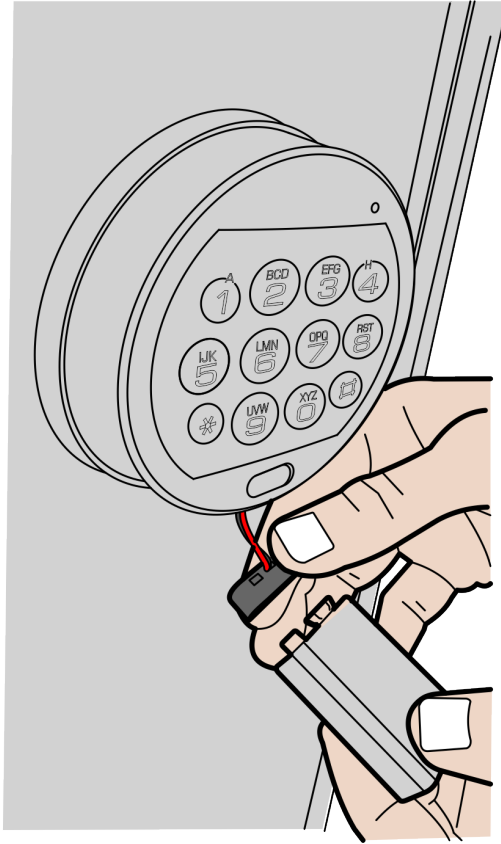
1. At the bottom of the keypad, remove the black plastic battery compartment cover by gently pulling downward on its handle.



2. Allow the battery and its attached leads to drop down and out of the battery compartment. If the battery does not drop, gently pull on the battery until it drops out.



3. Unsnap the battery terminals from the battery clip.



Installing the Electronic Lock Battery

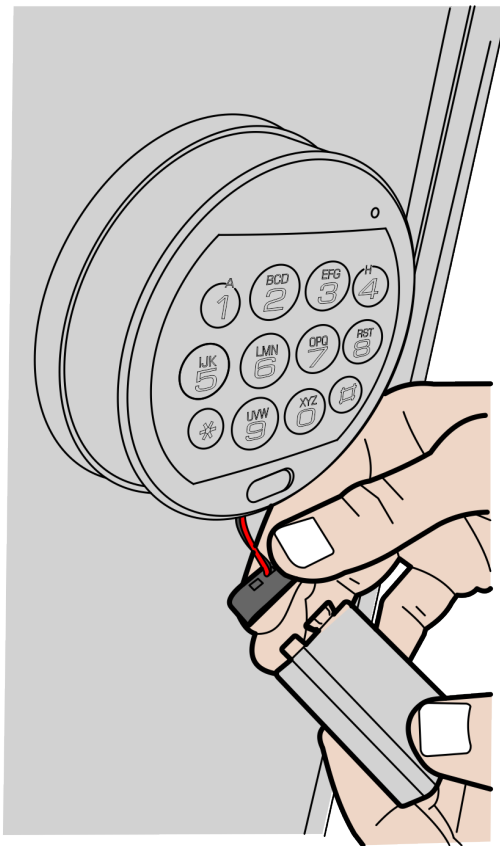
If the Combination Lock LED flashes and beeps repeatedly when the door is open, the battery is low and needs to be replaced. It is recommended to replace the battery at least once per year.



Note: Use one (1) 9-Volt alkaline battery only. Use of a high quality, name brand battery (Energizer® or Duracell®) is recommended.

To install the battery, follow these steps:

1. If necessary, remove the existing battery. For more information, refer to [Removing the Electronic Lock Battery](#) on page 17.
2. Connect a new 9-Volt Alkaline battery to the battery clip.



CCP-61826

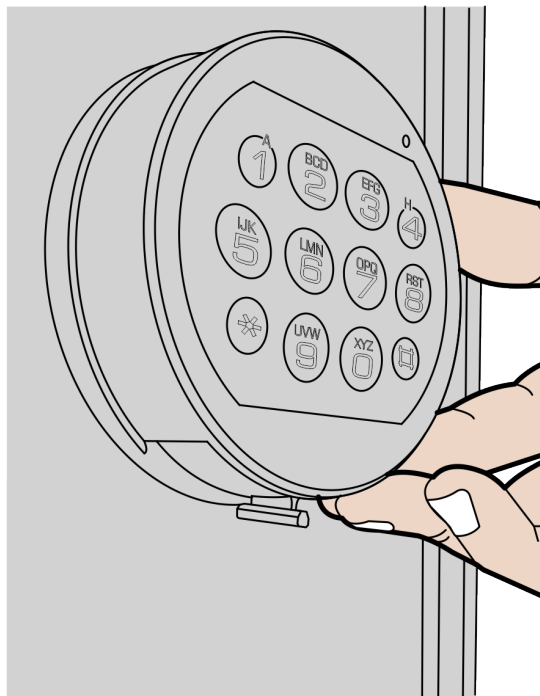
3. Press and hold the zero (0) key for ten (10) seconds before installing the new battery.

4. Gently push the battery and leads completely into the battery compartment.



CCP-61827

5. Install the battery cover by placing one side of the cover in position first and then gently pressing the other side into place.



CCP-61828

Changing the Combination of the Electronic Lock

To change the combination of the Electronic Combination Lock of the R6L Plus unit, follow these steps:



Caution: Ensure that the Security Door is open before performing this procedure. For more information, refer to the [Opening the Electronic Lock](#) on page 6.

1. Enter six 0s.
2. Enter the existing six digit combination once. The Combination Lock LED flashes two times and beeps two times.



Note: If the combination is invalid, the Combination Lock LED flashes three times and beeps three times.

3. Enter the new six digit combination twice.



Note: If the Combination Lock LED flashes three times and beeps three times, the old combination is still valid.

4. Close the Security Door by turning the Security Door Knob to the right and then pulling the door outward.



Note: Test the lock operation several times before closing the door.

For more information about the electronic combination lock, refer to the following documents from La Gard:

- [La Gard 3750 Electronic Entry Device User Operating Instructions](#) (BCC5-0000-5207)
- [La Gard Basic Series Manager Programming Instructions](#) (BCC5-0000-5208)