

Kit Instructions

2-Bag Bagwell Skin (Walmart Medium Gray)



7358-K022
Issue A



The product described in this document is a licensed product of NCR Corporation.

NCR is a registered trademark of NCR Corporation. NCR FastLane SelfServ™ Checkout is a trademark of NCR Corporation in the United States and/or other countries. Other product names mentioned in this publication may be trademarks or registered trademarks of their respective companies and are hereby acknowledged.

The terms HDMI and HDMI High-Definition Multimedia Interface, and the HDMI Logo are trademarks or registered trademarks of HDMI Licensing LLC in the United States and other countries.

Where creation of derivative works, modifications or copies of this NCR copyrighted documentation is permitted under the terms and conditions of an agreement you have with NCR, NCR's copyright notice must be included.

It is the policy of NCR Corporation (NCR) to improve products as new technology, components, software, and firmware become available. NCR, therefore, reserves the right to change specifications without prior notice.

All features, functions, and operations described herein may not be marketed by NCR in all parts of the world. In some instances, photographs are of equipment prototypes. Therefore, before using this document, consult with your NCR representative or NCR office for information that is applicable and current.

To maintain the quality of our publications, we need your comments on the accuracy, clarity, organization, and value of this book. Please use the link below to send your comments.

Email: FD230036@ncr.com

Copyright © 2020
By NCR Corporation
Global Headquarters
864 Spring St. NW
Atlanta, GA 30308
United States
All Rights Reserved

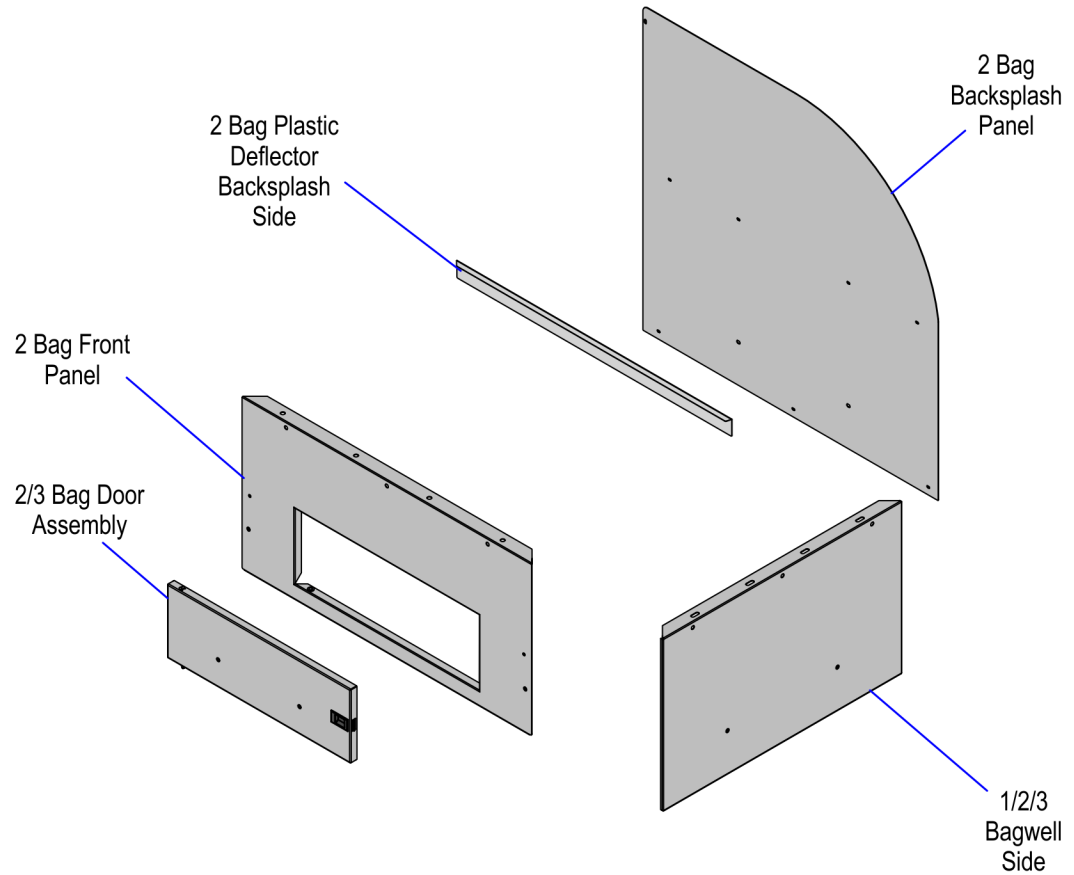
Revision Record

Issue	Date	Remarks
A	Sep 2020	First Issue

2-Bag Bagwell Skin (Walmart Medium Gray)

This publication provides procedures for replacing an existing 2-Bag Bagwell Skin of an NCR FastLane SelfServ™ Checkout (7358) with a 2-Bag Bagwell Skin (Walmart Medium Gray).

Kit Contents



CCP-79260

Part Number	Description
497-0528886	7358-K022 2-Bag Bagwell Skin (Walmart Medium Gray)
795-0133328	Panel - 1/2/3 Bagwell Side (Walmart Medium Gray)
795-0134128	Panel - 2-Bag Front (Walmart Medium Gray)
795-0134228	Panel - 2-Bag Backsplash (Walmart Medium Gray)
795-0283628	Assembly - 2 and 3 Bagger Door (Walmart Medium Gray)
* 795-0281628	Hole Cover Label - (Light Royal Gray)
497-0455521	Plastic Deflector - Bagwell Backsplash - 2 Bagger
* 497-0423108	Instructions-Kit (Reference Sheet)

Installation Procedures

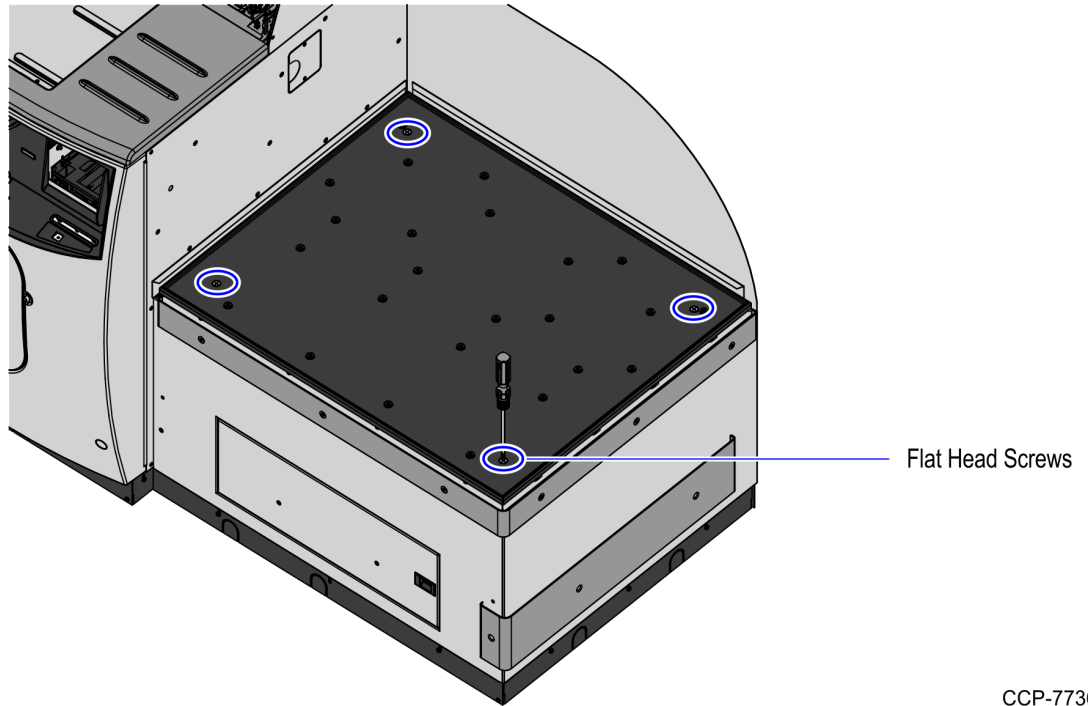
Installing the Bagwell Skin involves the following procedures:

1. [Removing Bagwell Skin](#) on the next page.
2. [Installing Bagwell Skin](#) on page 10.

Removing Bagwell Skin

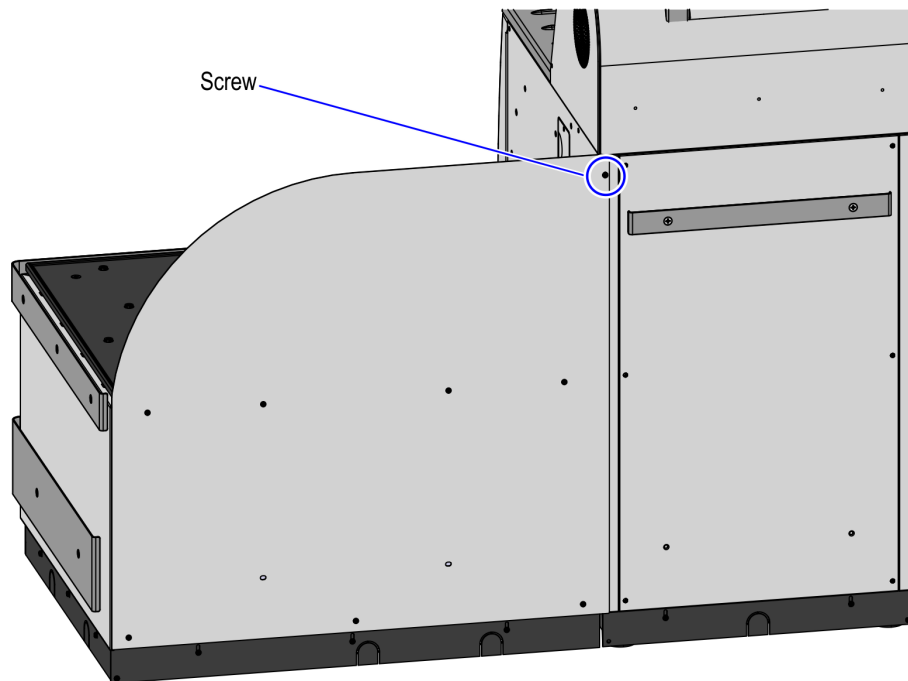
To remove the existing Bagwell Skin, follow these steps:

1. Remove the bag racks, if necessary. For more information, refer to [Removing Bag Racks](#) on page 17.
2. Detach the Scale Tray from the Bagwell by removing four (4) flat-head screws.



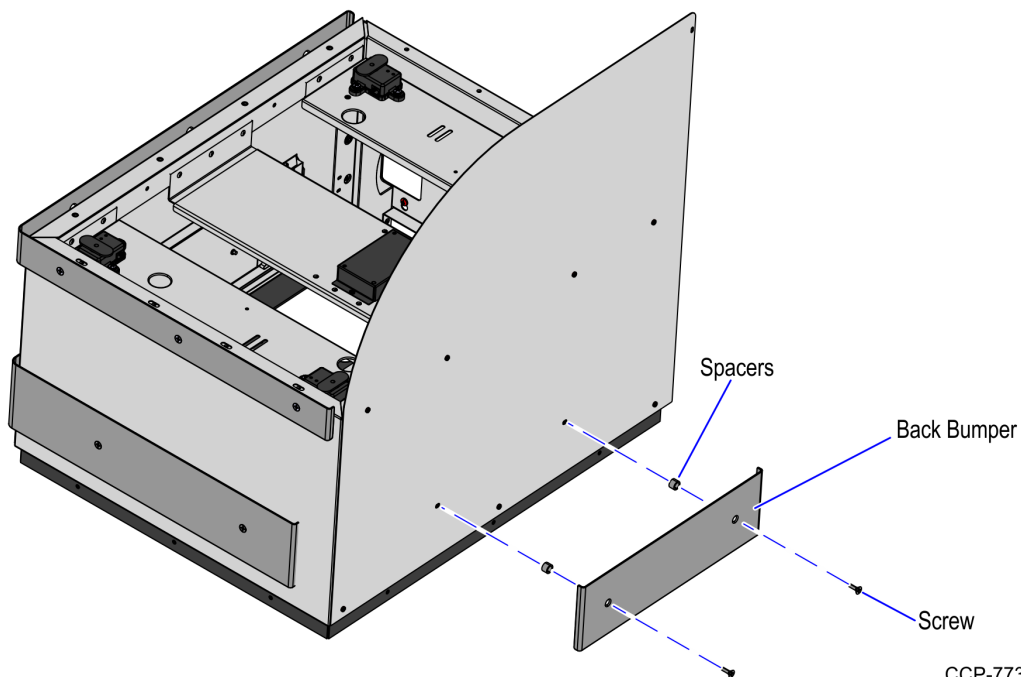
CCP-77365

3. Remove the bumpers and the Backsplash by doing the following:
 - a. Remove the upper rear screw attaching the Backsplash to the Core.



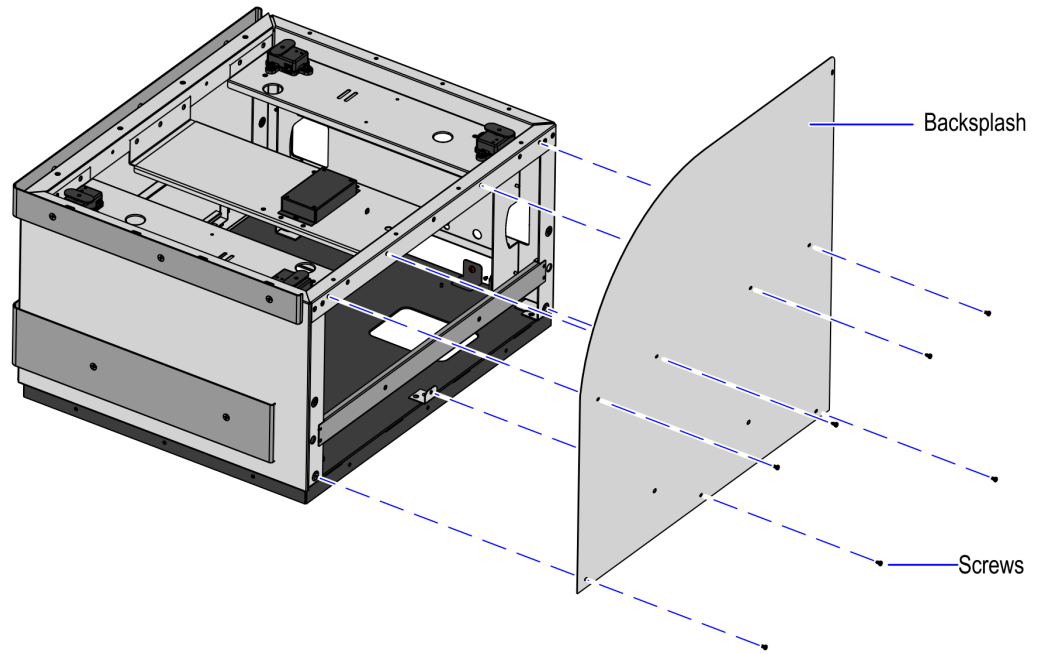
CCP-77368

- b. Detach the lower-rear bumper from the Bagwell by removing two (2) flat-head screws.



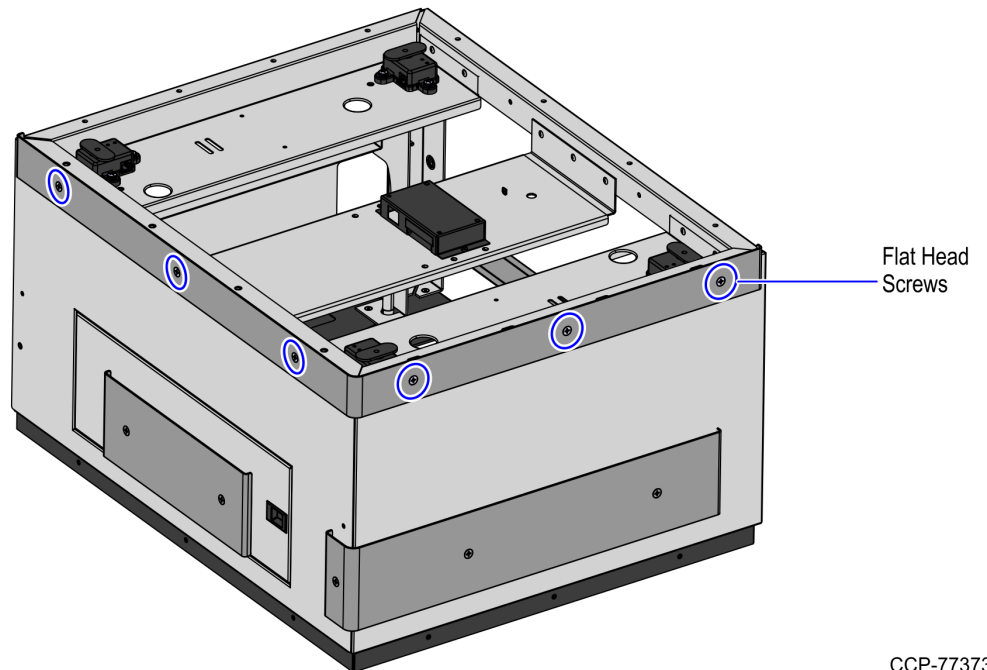
CCP-77371

- c. Detach the Backsplash from the Bagwell by removing seven (7) flat-head screws.



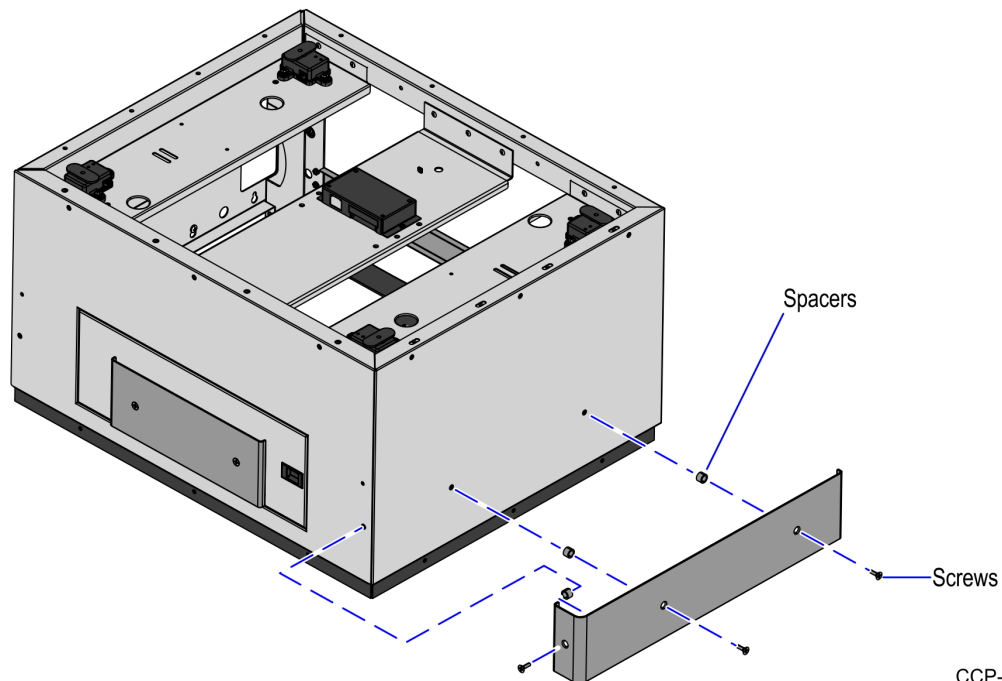
CCP-77372

- d. Detach the upper bumper from the Bagwell by removing six (6) flat-head screws and spacers, as shown in the image below.



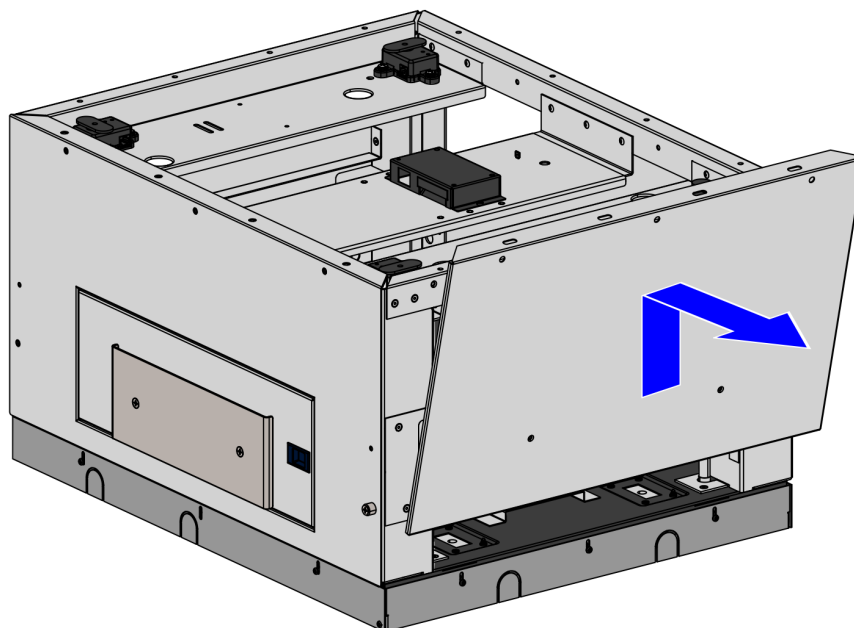
CCP-77373

- e. Detach the wrap-around side bumper by removing three (3) flat-head screws and spacers, as shown in the image below.



CCP-77374

- 4. Lift and pull the Side Panel from the Bagwell frame, as shown in the image below.

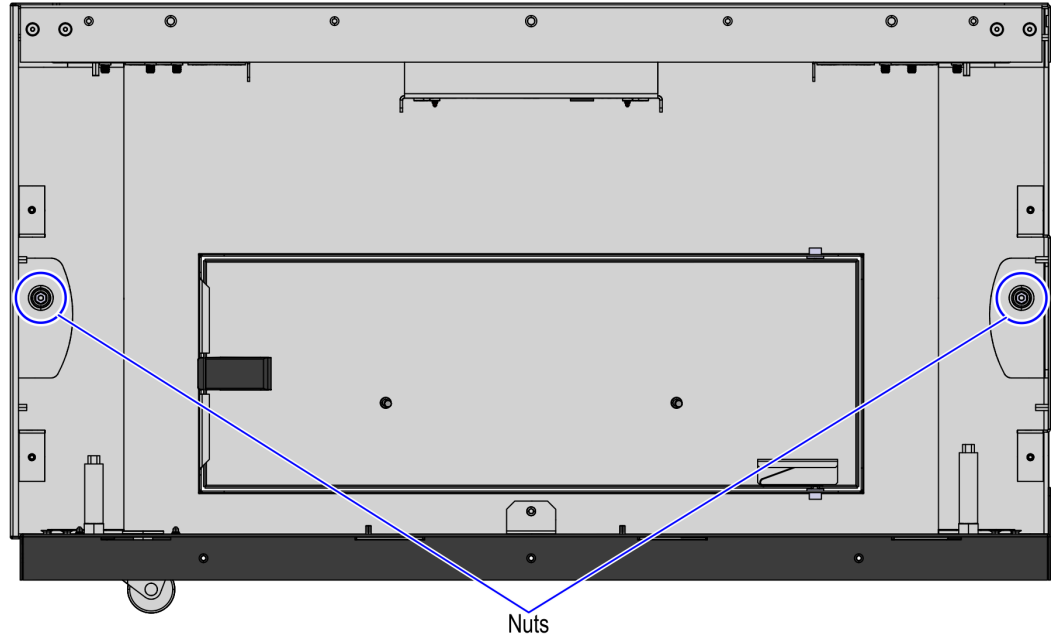


CCP-79254

5. Remove the Front Panel by doing the following:
 - a. Remove two (2) nuts securing the Front Panel to the Bagwell frame located at the inside corner posts.

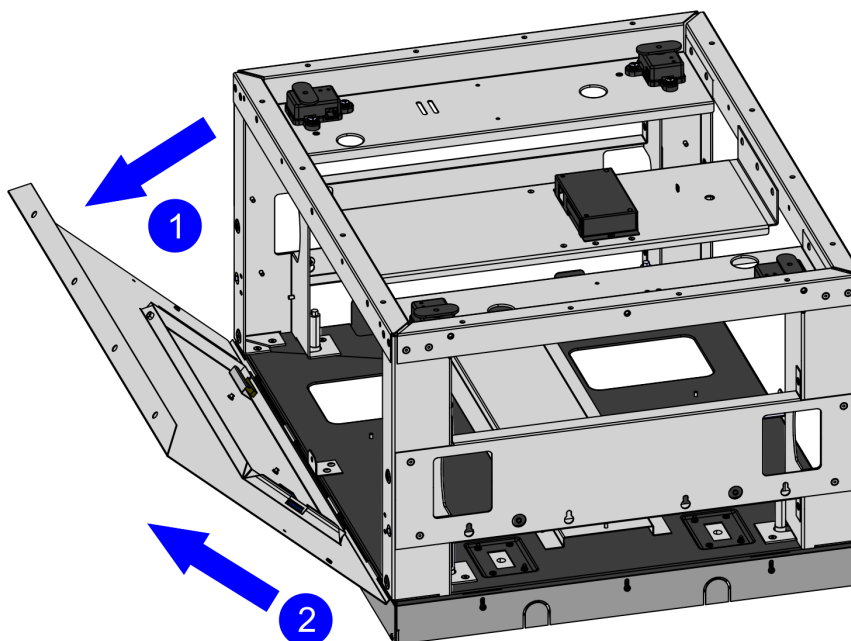


Note: Set aside the nuts for reinstallation.



CCP-77375

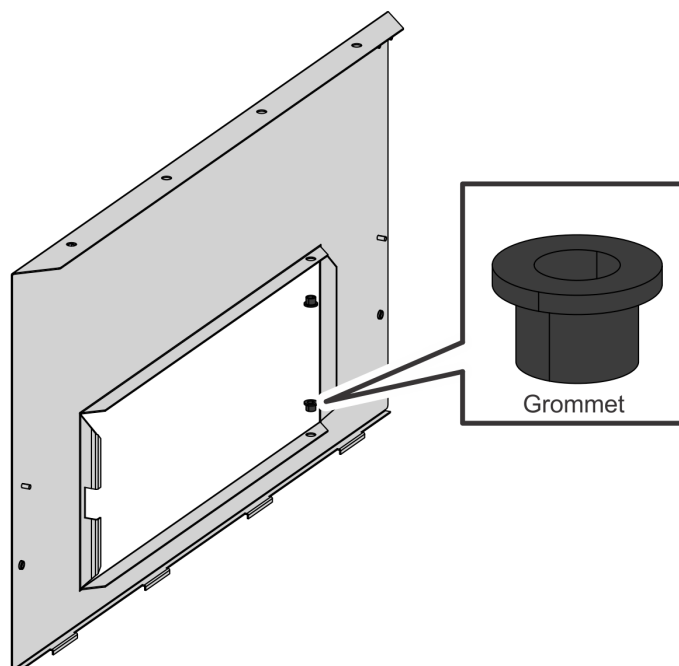
- b. Pull down the Front Panel and then pull out to disengage from the slots in the Bagwell frame base, as shown in the image below.



CCP-79253



Note: Set aside the two (2) grommets from the access door for reinstallation.

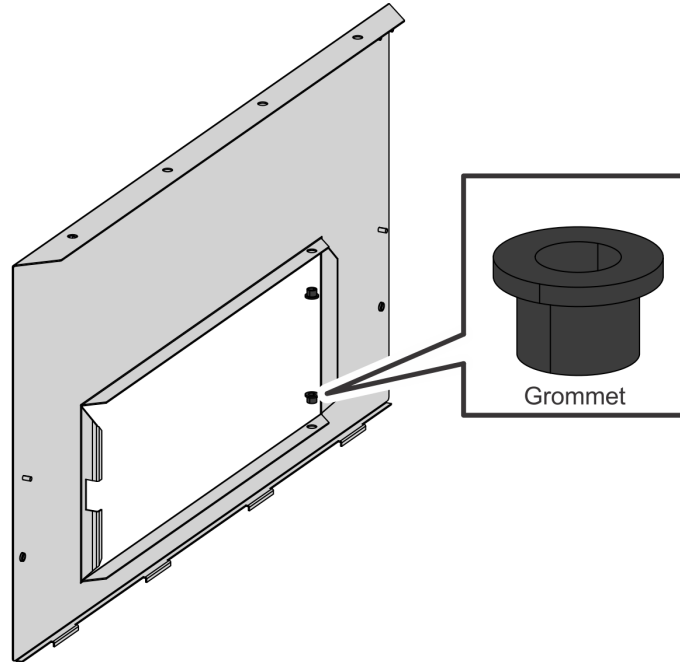


CCP-79255

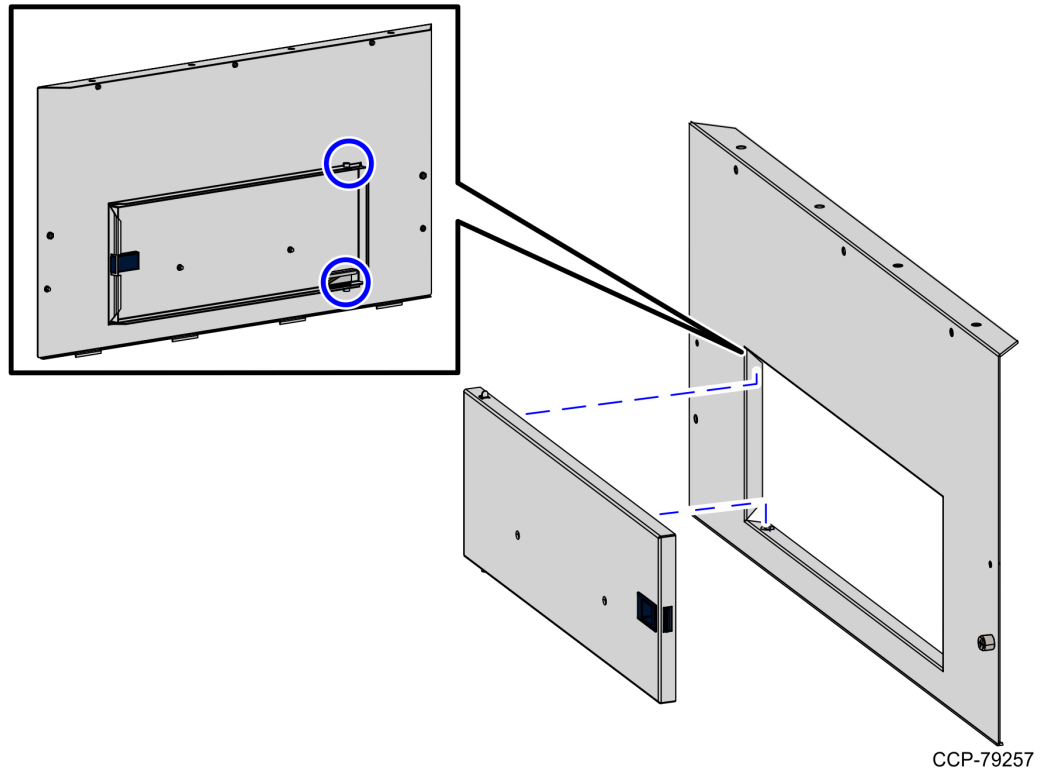
Installing Bagwell Skin

To install the Bagwell Skin, follow these steps:

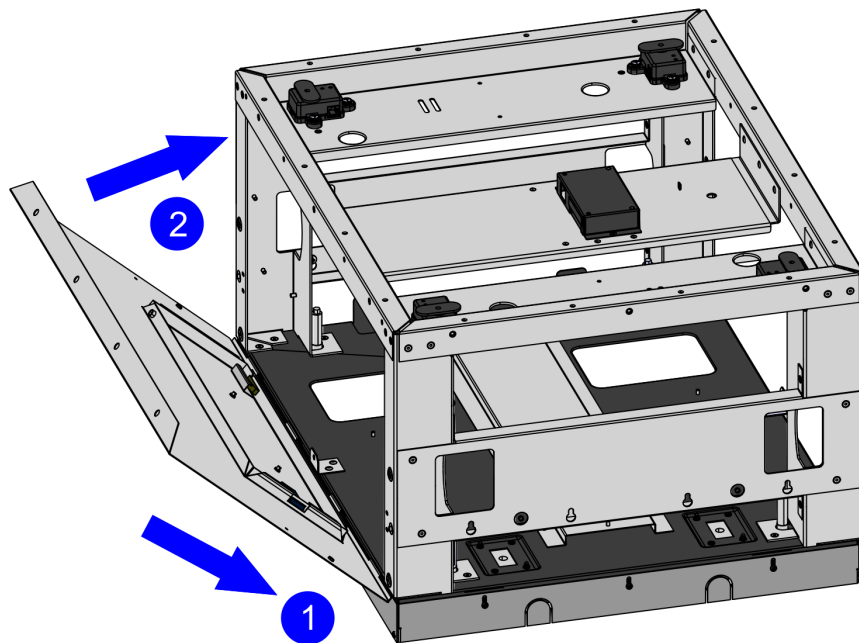
1. Remove the existing Bagwell Skin, if necessary. For more information, refer to [Removing Bagwell Skin](#) on page 4.
2. Install the Bagwell access door on the Front Panel by doing the following:
 - a. Insert the grommet into the hinge slot of the access hole, as shown in the image below.



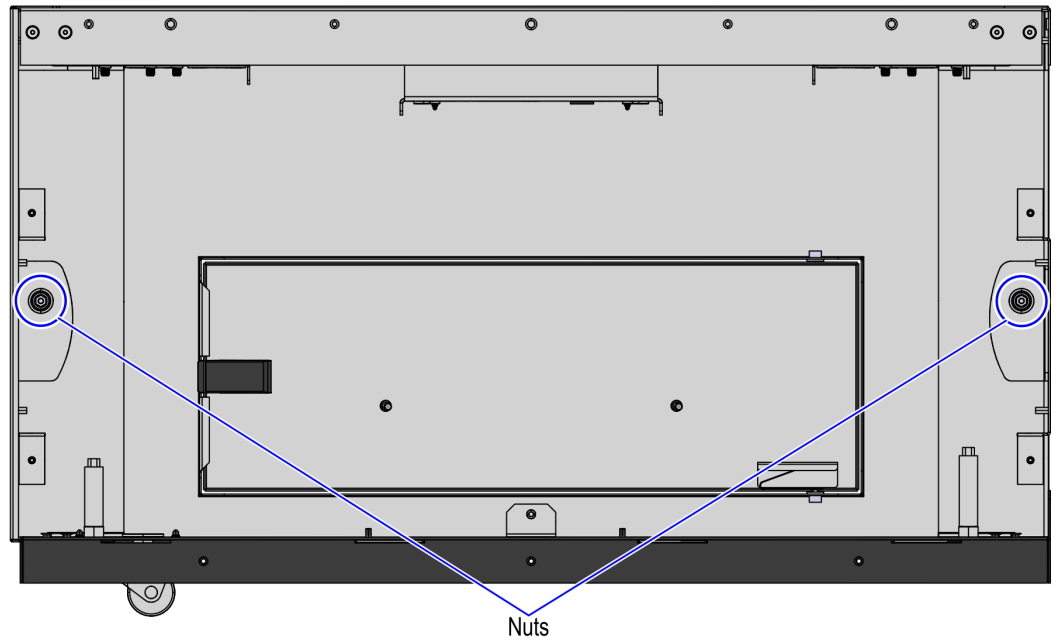
- b. Insert two (2) hinges into the hinge slots of the access hole, as shown in the image below. The Bagwell access door comes with hinges.



- 3. Install the Front Panel by doing the following:
 - a. Align and insert the two (2) bottom tabs of the Front Panel to the slots of the Bagwell frame base.

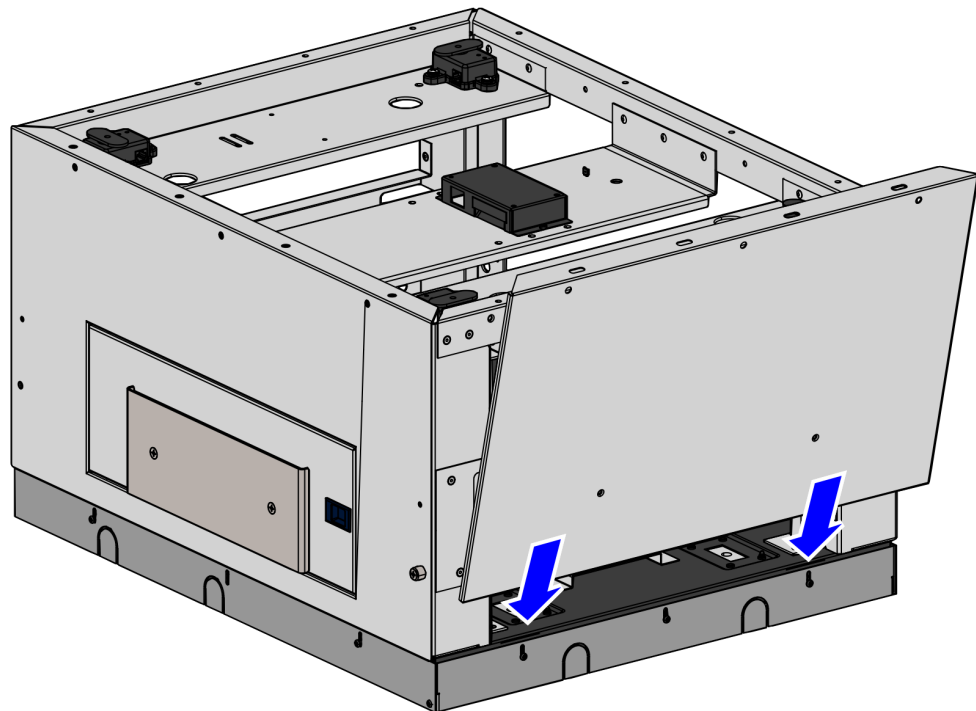


- b. Secure the Front Panel to the Bagwell frame using two (2) nuts, as shown in the image below.



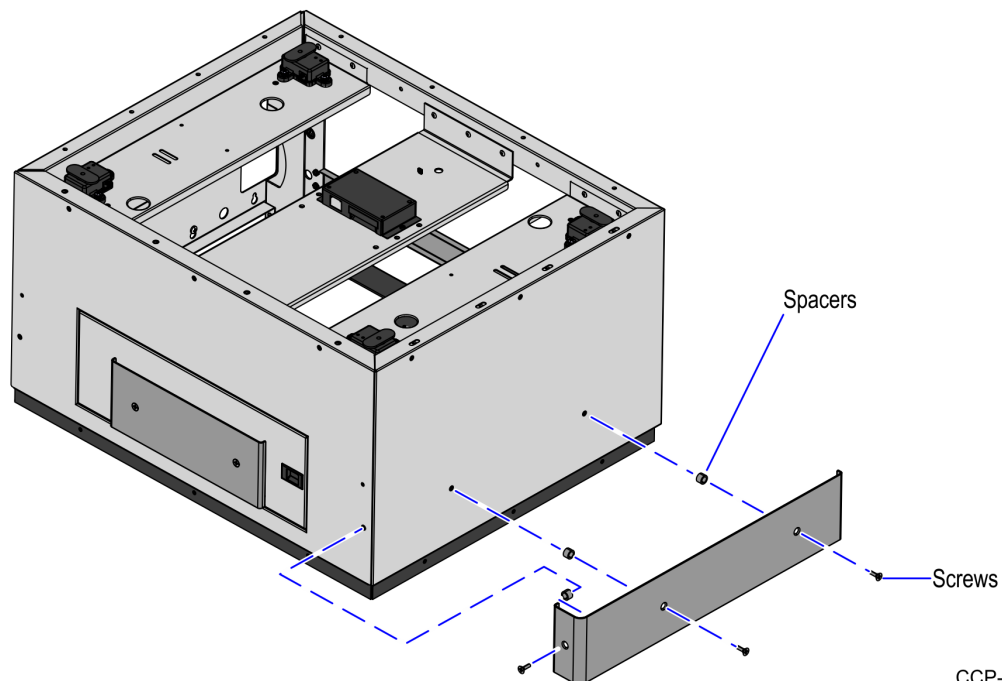
CCP-77375

4. Mount the Side Panel to the Bagwell frame by inserting its two (2) bottom tabs to the slots of the Bagwell frame base, as shown in the image below.

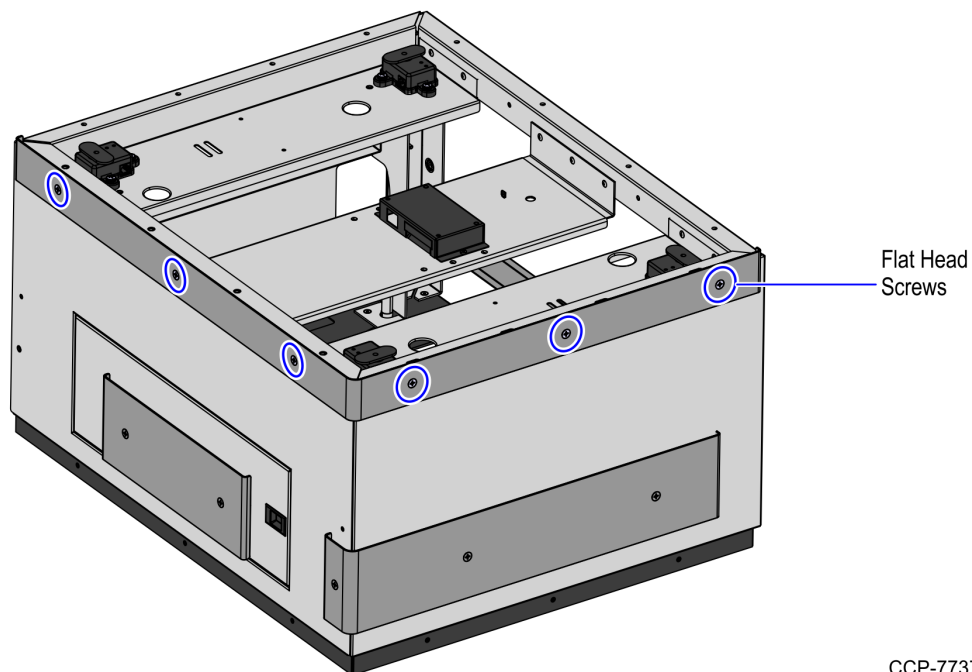


CCP-79258

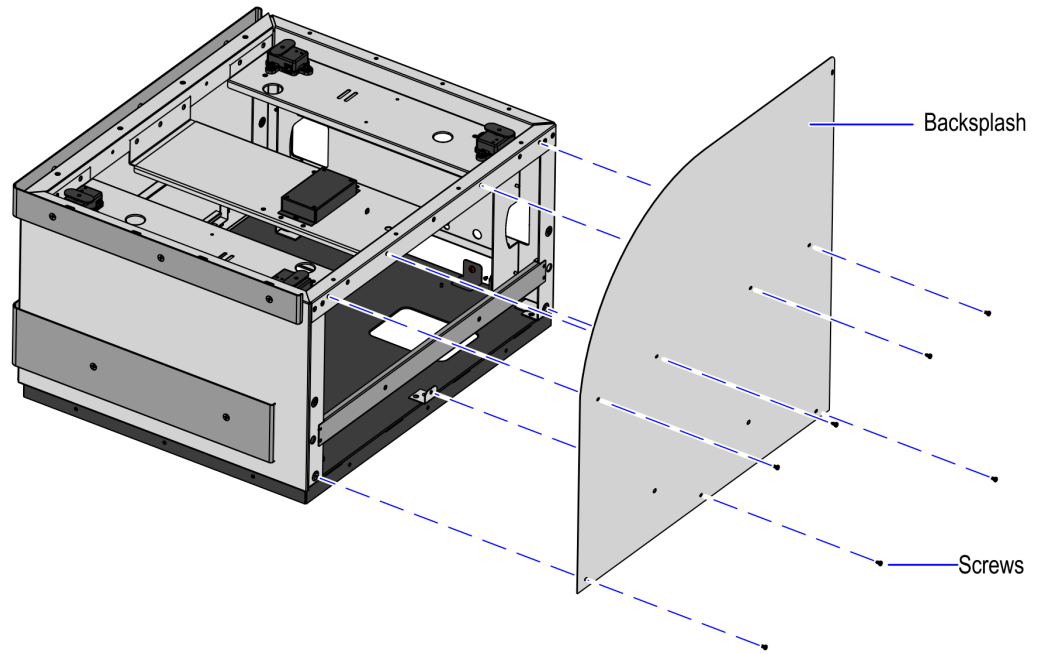
5. Install the bumpers and the Backsplash to the Bagwell by doing the following:
 - a. Attach the wrap-around bumper to the Bagwell by using three (3) flat-head screws and spacers.



- b. Attach the upper bumper to the Bagwell by using six (6) flat-head screws and spacers.

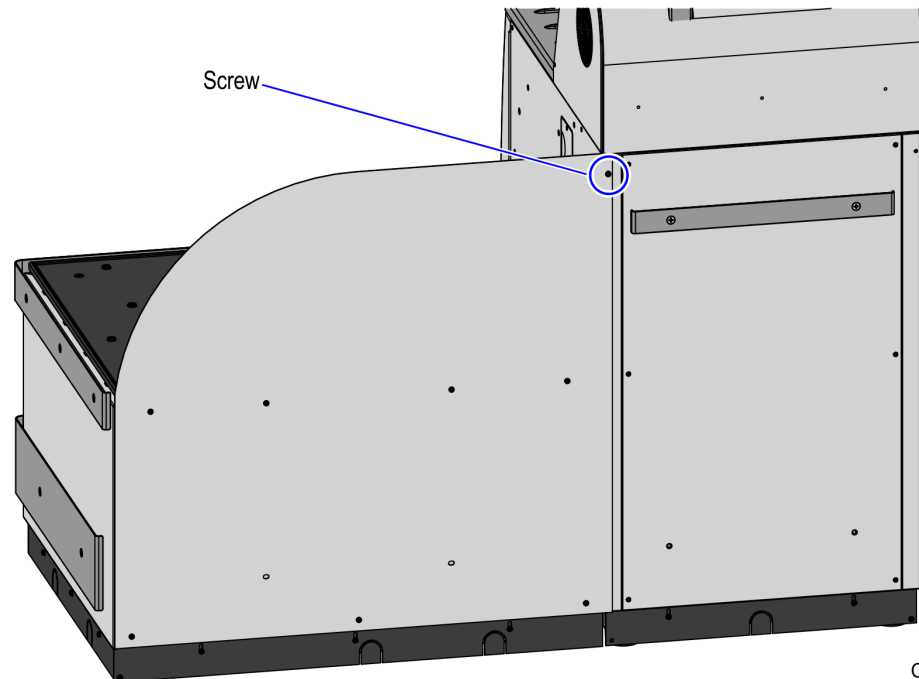


- c. Attach the Backsplash to the Bagwell frame using seven (7) screws.



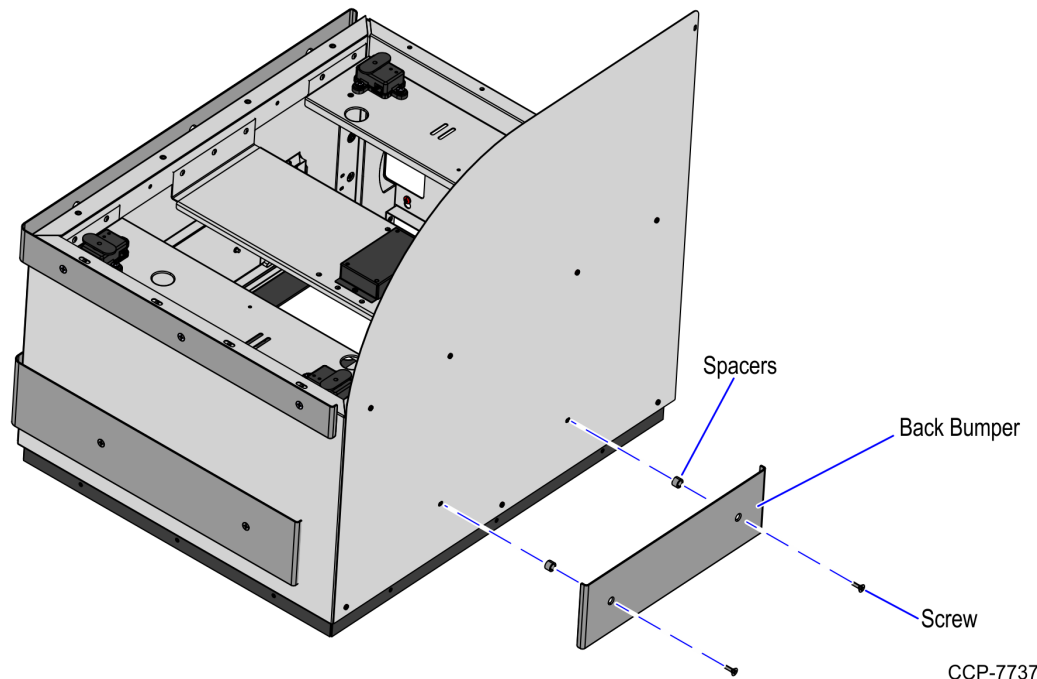
CCP-77372

- d. Secure the Backsplash to the Core Cabinet using one (1) screw.



CCP-77368

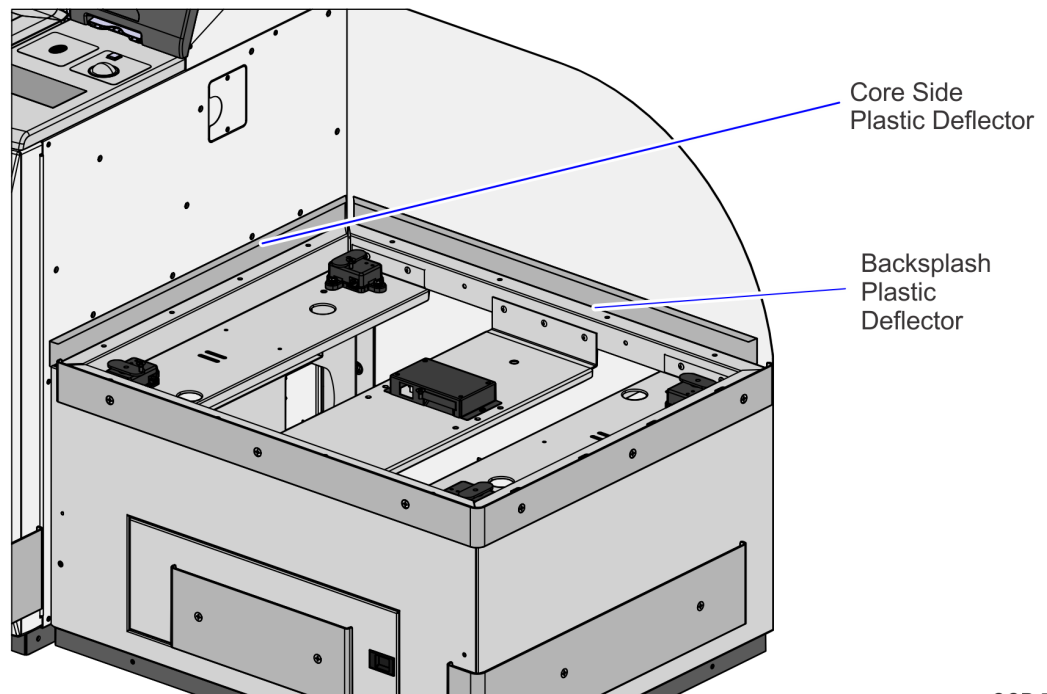
- e. Attach the lower-rear bumper to the Bagwell using two (2) flat-head screws.



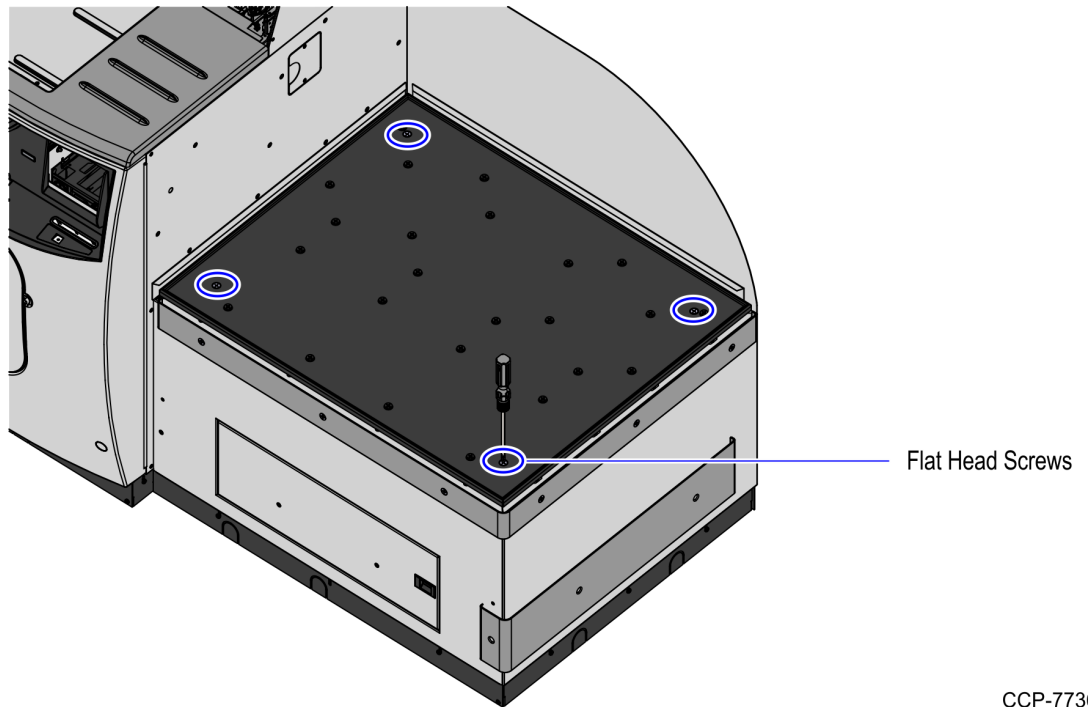
6. Do the following:
- Peel off the adhesive lining from the back of the Plastic Deflector.
 - Attach the Plastic Deflector to the Backsplash.



Note: Ensure that the Plastic Deflector on the Backsplash is of the same height level with the Core Side Deflector.



7. Attach the Scale Tray to the Bagwell using four (4) flat-head screws.



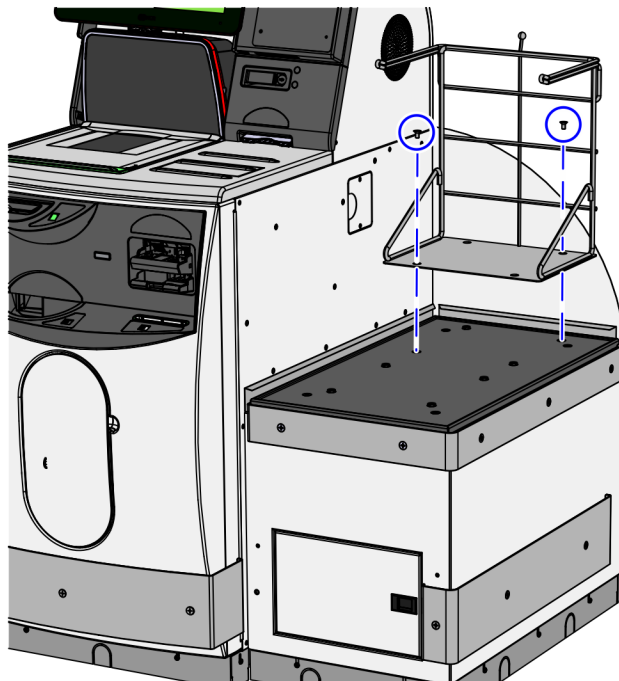
CCP-77365

Removing Bag Racks

To remove bag racks from the Scale Tray, loosen two screws that are securing each bag rack.



Note: For the purpose of illustration only, the image below shows a 1-Bag Bagwell configuration.



CCP-79243



Note: Bag racks can be installed facing forward or to the side. This procedure removes the bag racks that are facing forward only as an example.

