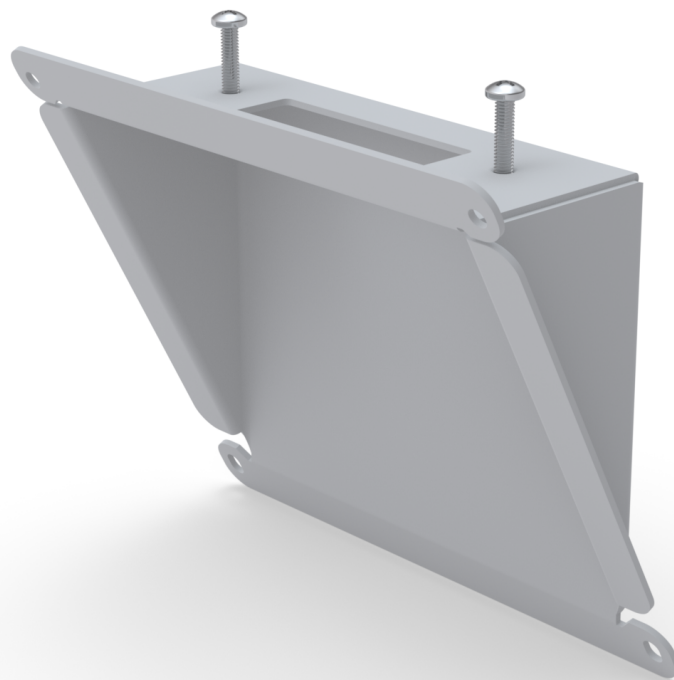




# Kit Instructions

## Remote Scale Display Mount (NCR 7895 Scanner/Scale)

---



7357-K912

Issue B

# Copyright and Trademark Information

---

The product described in this document is a licensed product of NCR Voyix Corporation.

NCR FastLane SelfServ™ Checkout is a trademark of NCR Voyix Corporation in the United States and/or other countries. Other product names mentioned in this publication may be trademarks or registered trademarks of their respective companies and are hereby acknowledged.

Where creation of derivative works, modifications or copies of this NCR copyrighted documentation is permitted under the terms and conditions of an agreement you have with NCR, NCR's copyright notice must be included.

Disclaimer:

It is the policy of NCR Voyix Corporation to improve products as technology, components, software and firmware become available. NCR Voyix therefore reserves the right to change specifications without prior notice.

All features, functions and operations described herein may not be marketed by NCR Voyix in all parts of the world. In some instances, photographs are of equipment prototypes.

Therefore, before using this document, consult with your NCR Voyix representative or NCR Voyix office for information that is applicable and current.

© 2021 - 2025

By NCR Voyix Corporation

Atlanta, Georgia, USA

All Rights Reserved

# Table of Contents

---

**7357-K912 Remote Scale Display Mount (NCR 7895 Scanner/Scale) ..... 5**

Kit Contents ..... 5

Installation Procedure ..... 6

# Revision Record

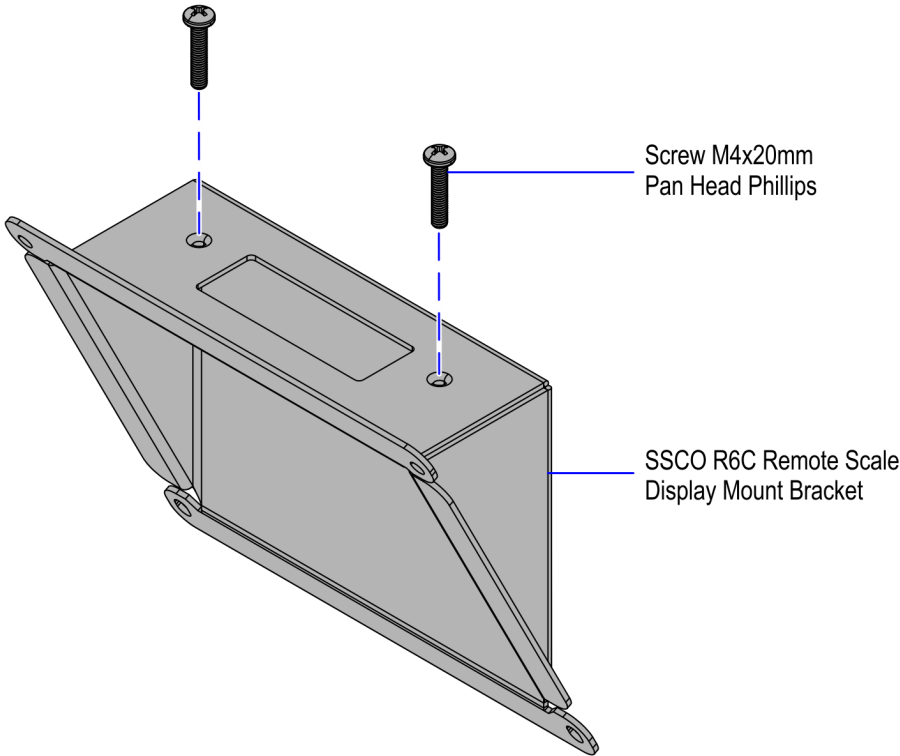
---

Publication issue	Date	Description of change
A	Jul 2021	First issue.
B	May 2025	Updated to NCR Voyix brand.

# 7357-K912 Remote Scale Display Mount (NCR 7895 Scanner/Scale)

This publication provides the procedure for installing a Remote Scale Display Mount (NCR 7895 Scanner/Scale) to the NCR FastLane SelfServ™ Checkout (7357) R6LN Plus.

## Kit Contents



CCP-79734

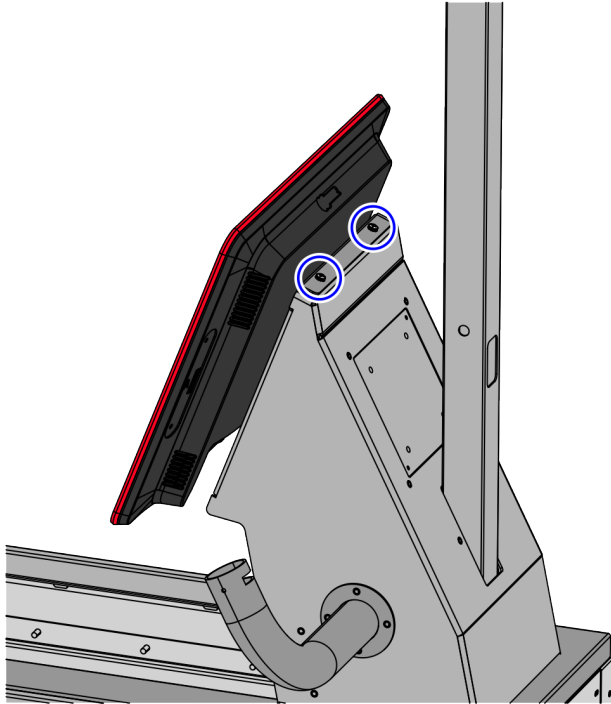
Part Number	Description
497-0529324	SSCO R6LN+ (7895 Scanner) Remote Scale Display Mount Kit
497-0529325	SSCO R6C Remote Scale Display Mount Bracket
006-8622923	M4x20mm Pan Head Phillips SS Machine Screw (2 pcs)
497-0423108	Instructions Kit (Reference Sheet)

\* Items marked with an asterisk are not called out on the image.

# Installation Procedure

To install the Remote Scale Display Mount (NCR 7895 Scanner/Scale), follow these steps:

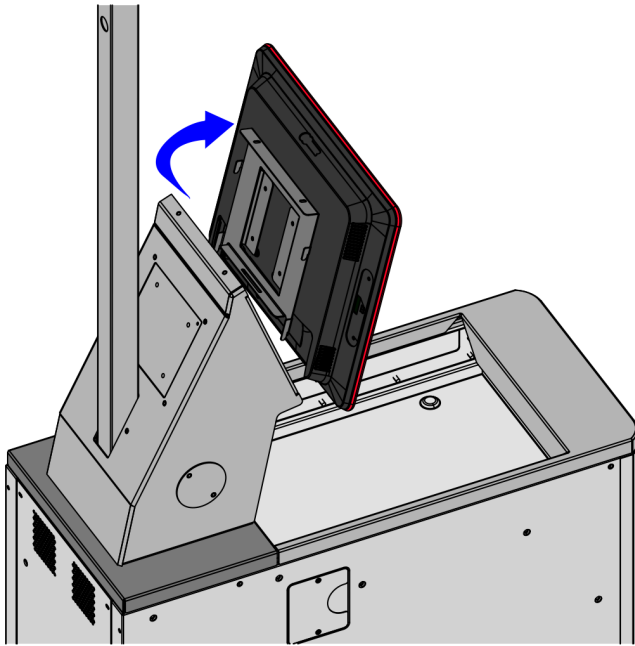
1. Shut down the NCR FastLane SelfServ™ Checkout software and hardware systems.
2. Remove the Terminal Display by doing the following:
  - a. Remove two (2) screws that are securing the Display Mounting Bracket on the Tower Frame.



CCP-79790

- b. Slide up the Display to disengage the mount hooks from the core.

c. Lift and tilt the Display forward, as shown in the image below.

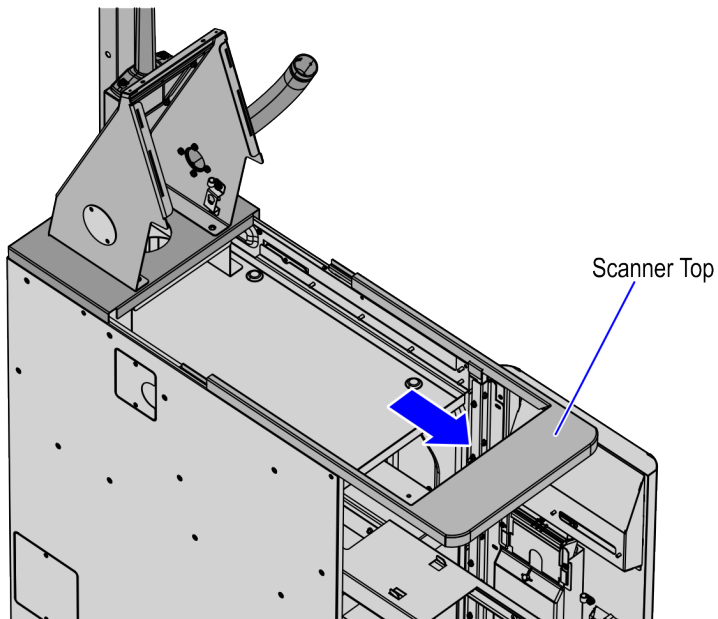


CCP-76104

d. Disconnect the Display cables.

3. Open the Core Door.

4. Remove the Scanner Top by sliding it forward, as shown in the image below.



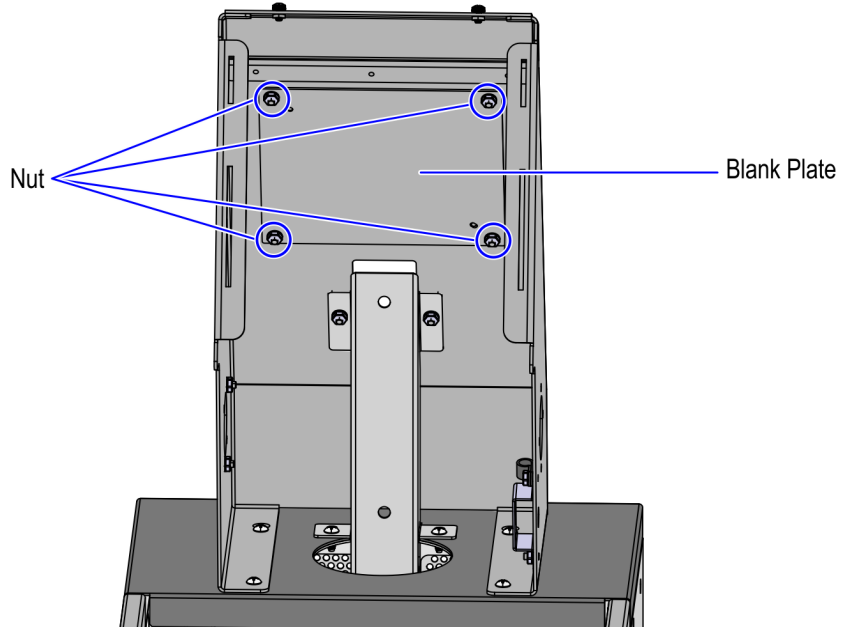
CCP-79775

5. Detach the Blank Plate from the back of the Tower Frame by removing four (4) nuts.



**Note**

Remove the nuts from the inside of the Tower Frame and discard the Blank Plate properly. Retain the four (4) nuts for installing the Remote Scale Display Mount.



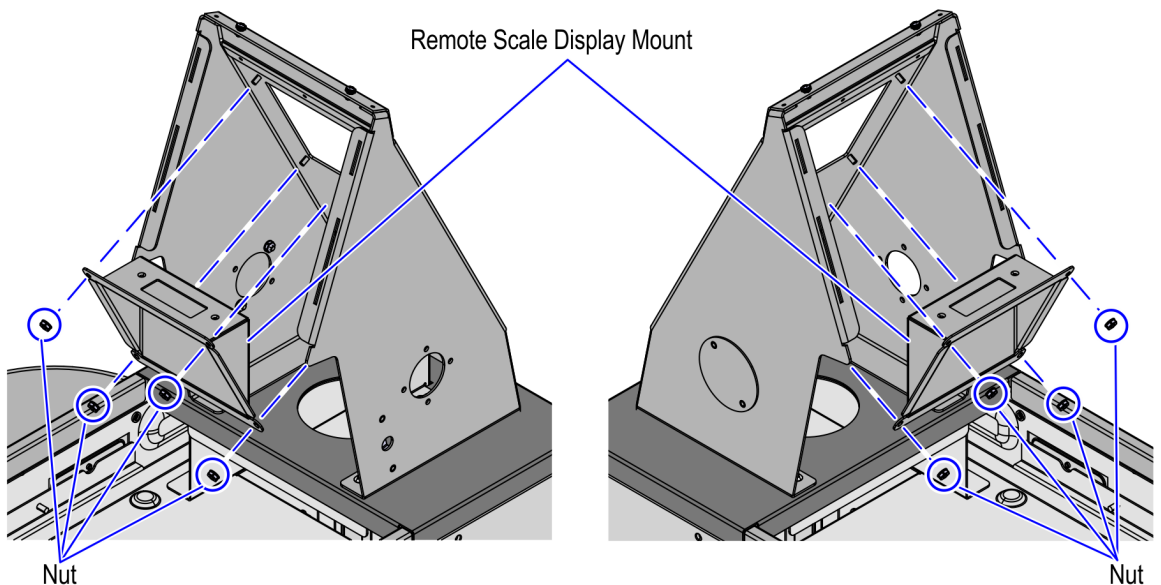
CCP-79737

6. Secure the Remote Scale Display Mount to the unit with four (4) nuts.



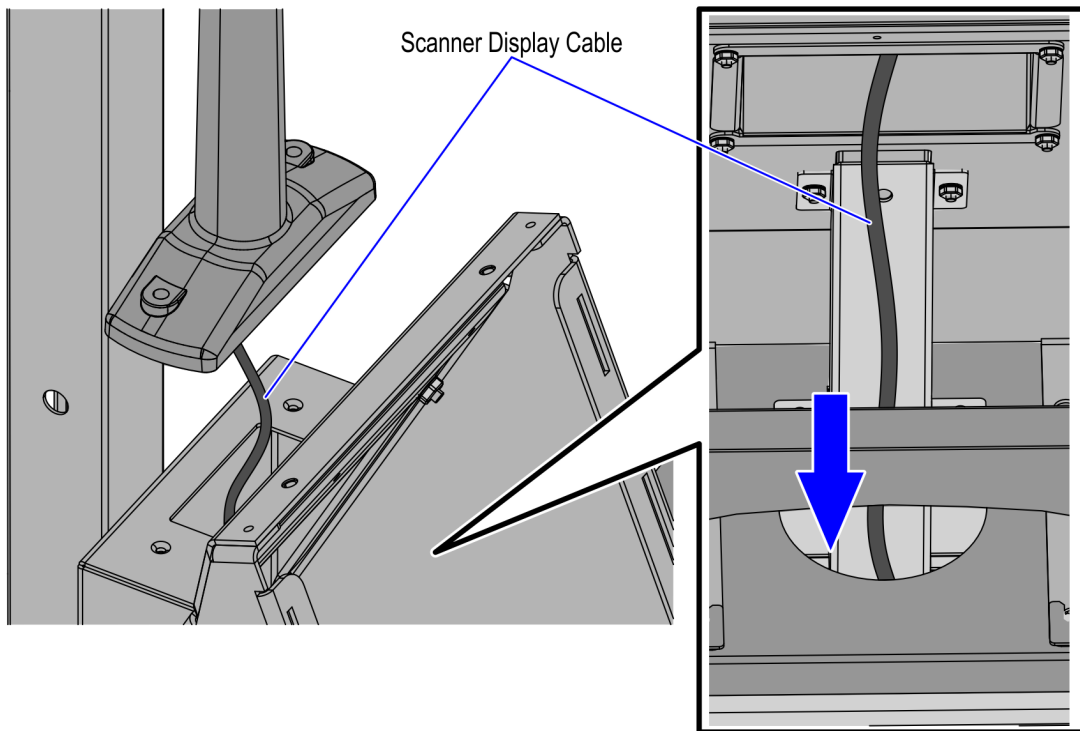
**Note**

Reuse the nuts previously set aside.



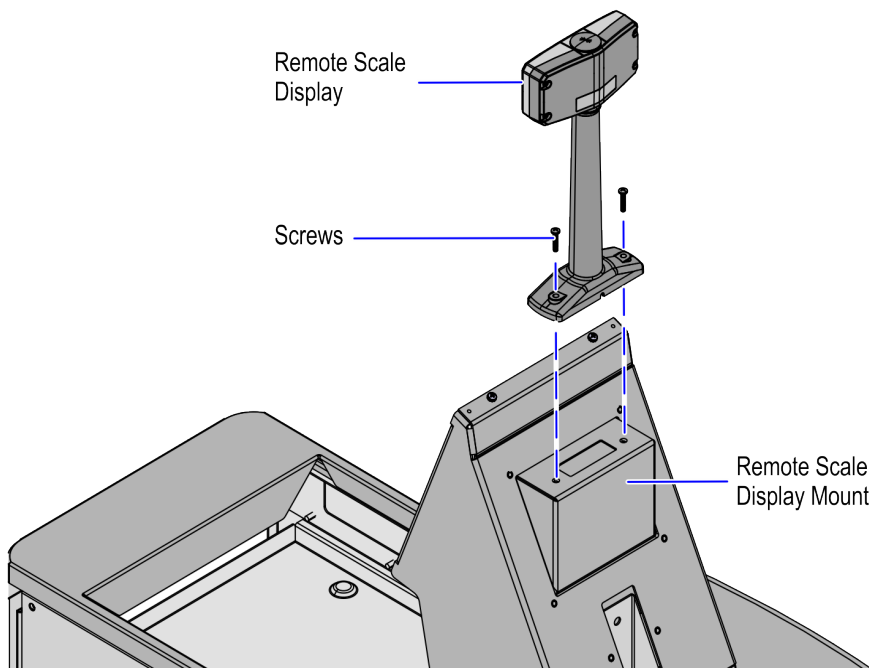
CCP-79735

7. Insert the Remote Scanner Display Cable into the Cable Access Hole of the Remote Scale Display Mount and route it to the hole going down the back of the Core Cabinet, as shown in the image below.



CCP-79782

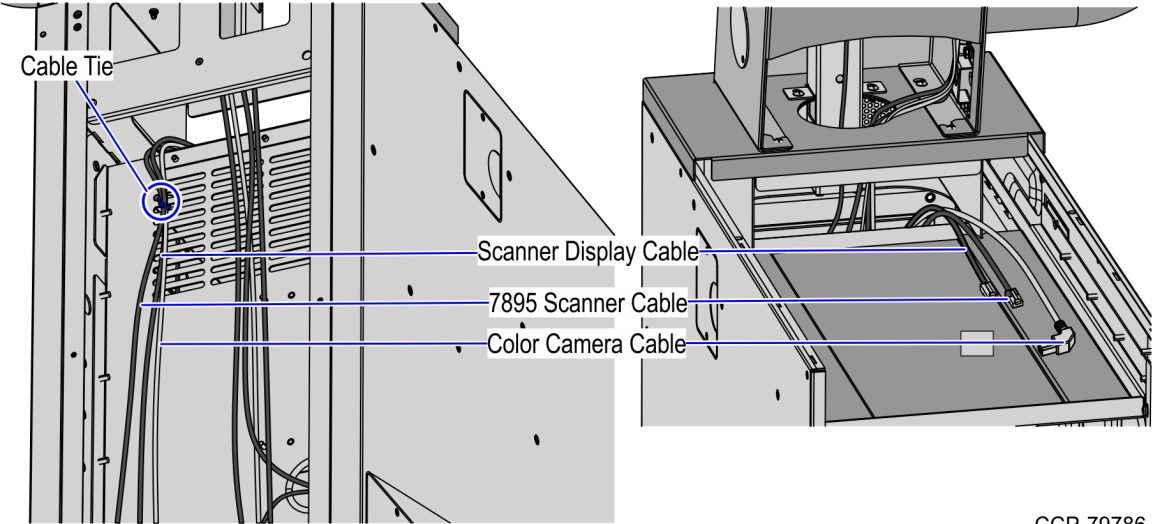
8. Secure the Remote Scale Display to the Mount using two (2) M4 screws.



CCP-79738

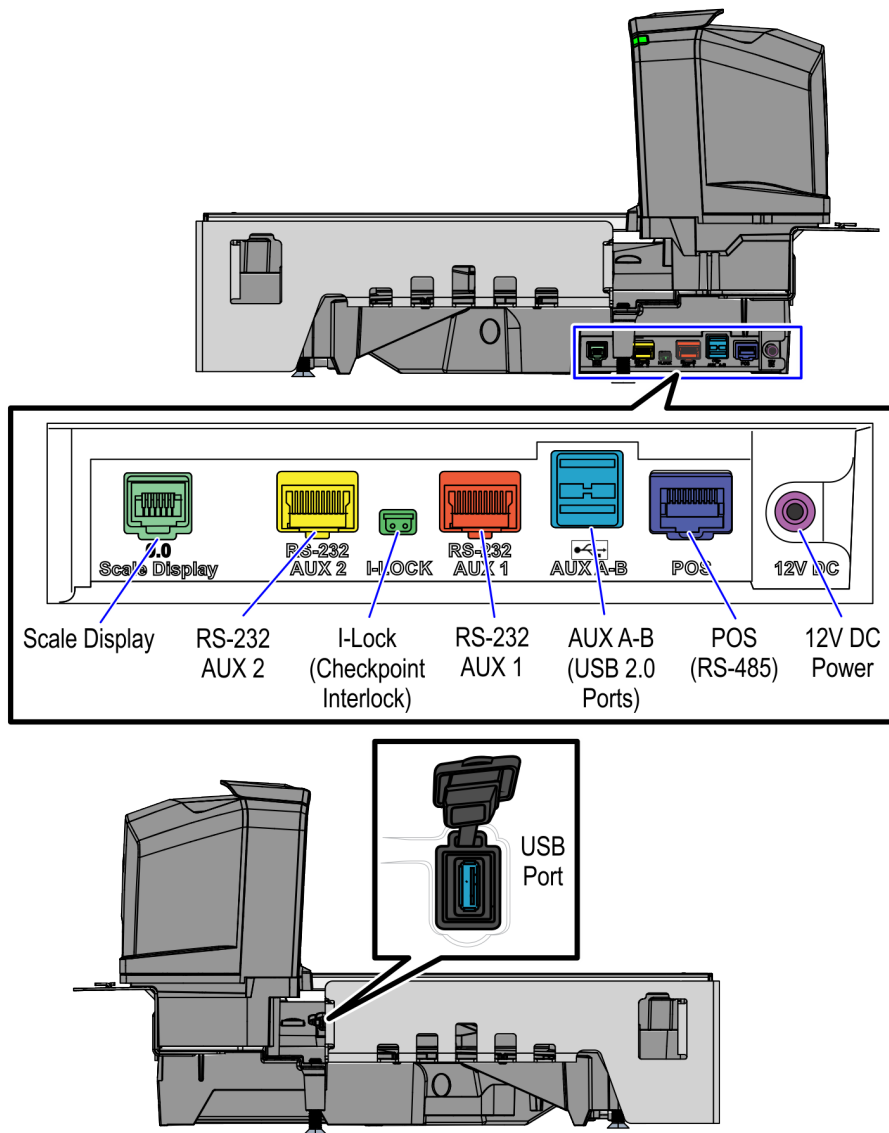
9. Route the Remote Scale Display Cable to the Scanner Bucket.

**Note**  
Secure the Remote Scale Display Cable with the 7895 Scanner/Scale Cable and the Color Camera Cable to the air vent using a cable tie.



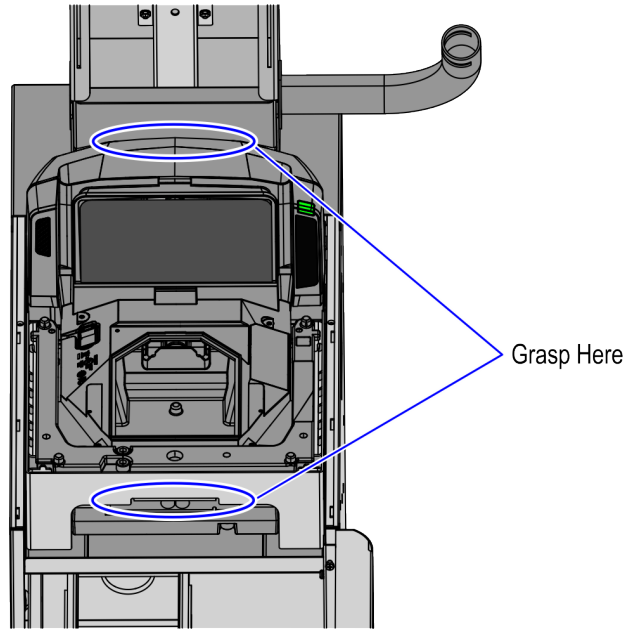
CCP-79786

10. Install the NCR 7895 Scanner/Scale by doing the following:
  - a. Connect all the cables on the designated ports on the NCR 7895 Scanner/Scale.



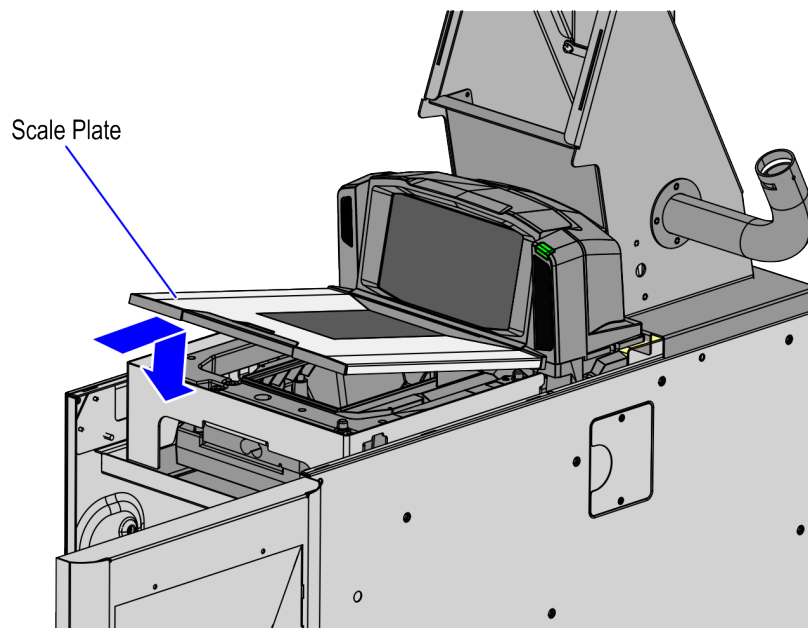
CCP-79793

b. Place the Scanner/Scale in the Scanner bucket.



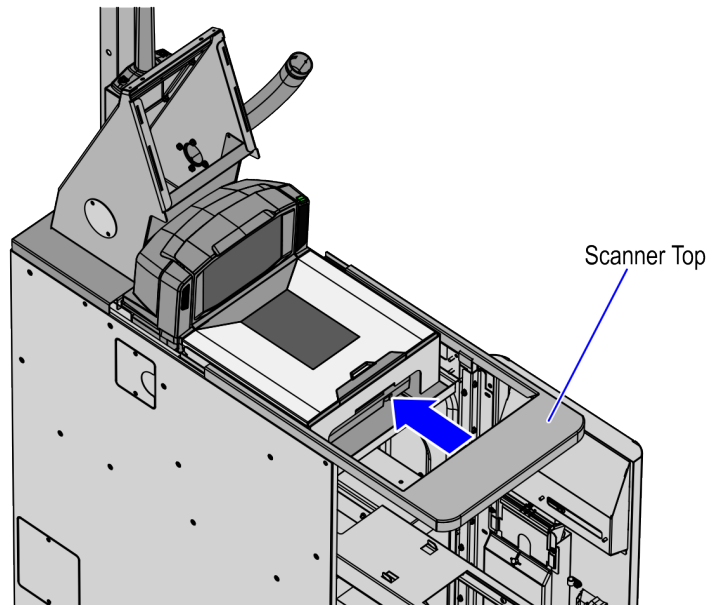
CCP-79777

c. Lower the Scale Plate.



CCP-79781

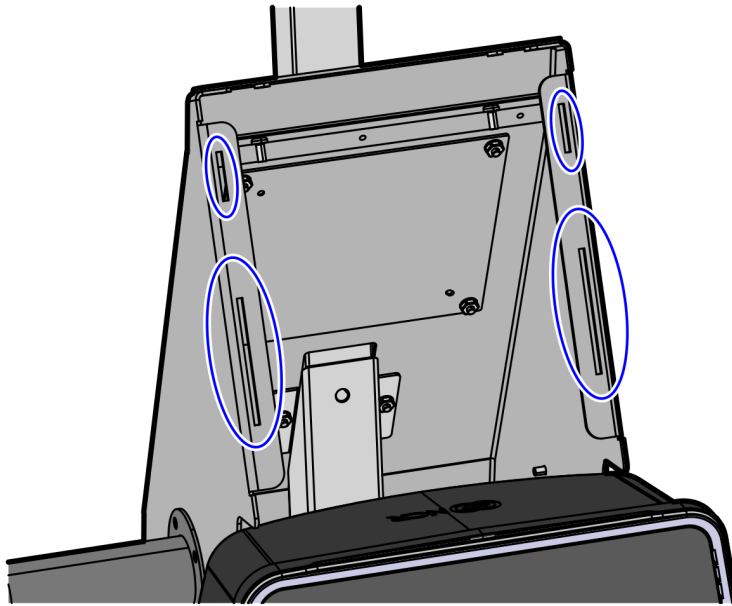
- d. Install the Scanner Top by sliding it toward the Tower Frame.



CCP-79780

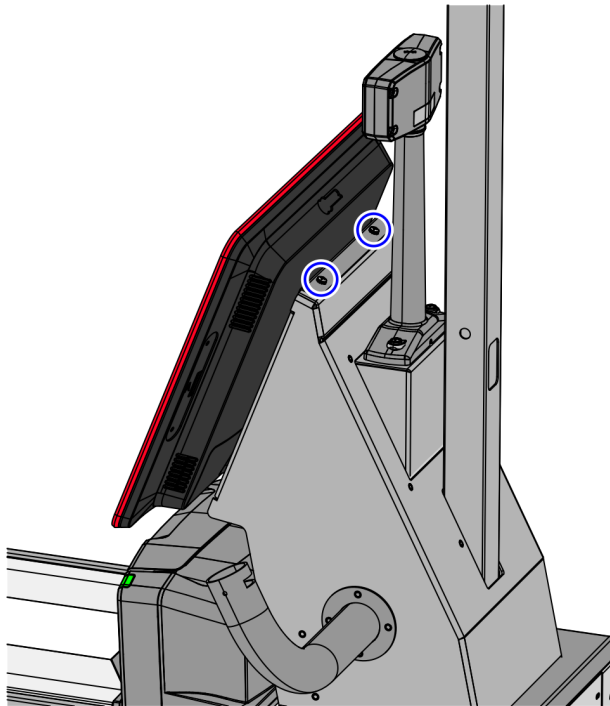
- e. Connect cables to designated ports on the Display.

11. Install the Terminal Display to the Tower Frame, by doing the following:
  - a. Align hooks in mounting bracket to the holes in the Tower Frame and slide down the Display to lock in place. Align hooks of Mounting Bracket at the back of the Terminal Display to the holes in the Tower Frame and then slide down the Display to lock in place.



CCP-73414

- b. Secure the Terminal Display to the Tower Frame using two (2) screws.



CCP-79787

12. Ensure that the devices are working properly by powering up the NCR FastLane SelfServ™ Checkout software and hardware systems.