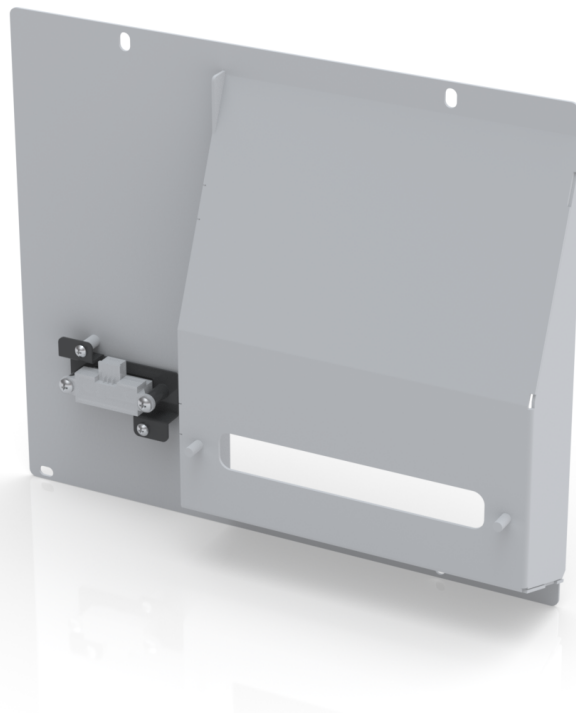




Kit Instructions

Coupon Chute with Proximity Sensor Assembly



7357-K910

Issue B

Copyright and Trademark Information

The product described in this document is a licensed product of NCR Voyix Corporation.

NCR FastLane SelfServ™ Checkout is a trademark of NCR Voyix Corporation in the United States and/or other countries. Other product names mentioned in this publication may be trademarks or registered trademarks of their respective companies and are hereby acknowledged.

Where creation of derivative works, modifications or copies of this NCR copyrighted documentation is permitted under the terms and conditions of an agreement you have with NCR, NCR's copyright notice must be included.

Disclaimer:

It is the policy of NCR Voyix Corporation to improve products as technology, components, software and firmware become available. NCR Voyix therefore reserves the right to change specifications without prior notice.

All features, functions and operations described herein may not be marketed by NCR Voyix in all parts of the world. In some instances, photographs are of equipment prototypes.

Therefore, before using this document, consult with your NCR Voyix representative or NCR Voyix office for information that is applicable and current.

© 2020 - 2025

By NCR Voyix Corporation

Atlanta, Georgia, USA

All Rights Reserved

Table of Contents

- 7357-K910 Coupon Chute with Proximity Sensor Assembly 5**
- Kit Contents 5
- Installation Procedure 7
- Opening the Core Door 12
- Closing the Core Door 13

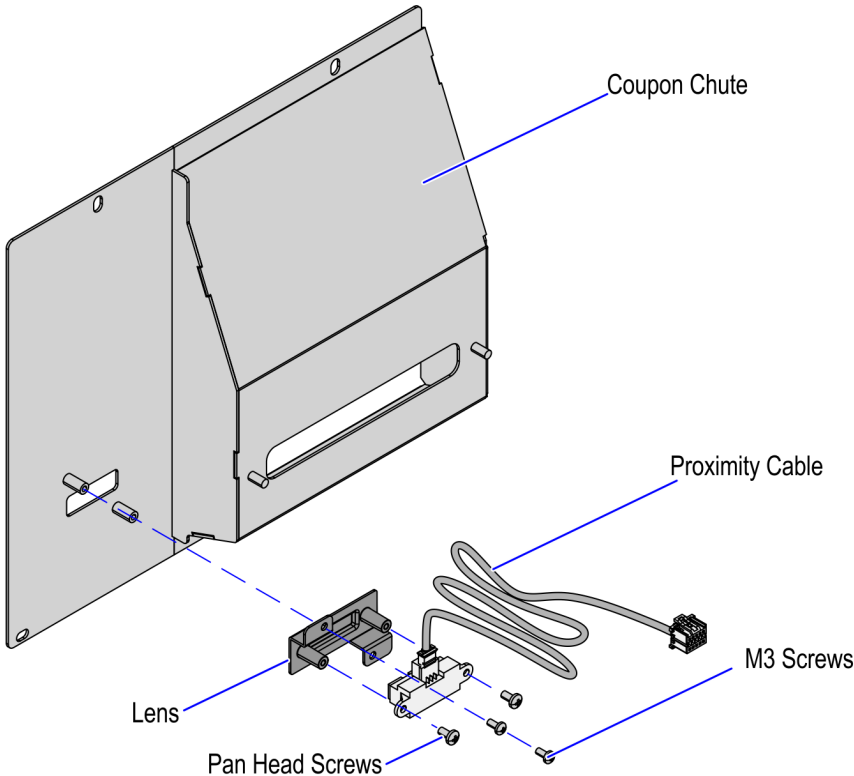
Revision Record

Publication issue	Date	Description of change
A	Mar 2020	First issue.
B	May 2025	Updated to NCR Voyix brand.

7357-K910 Coupon Chute with Proximity Sensor Assembly

This publication provides instructions for installing a Coupon Chute with Proximity Sensor Assembly to an NCR FastLane SelfServ™ Checkout (7357) R6LN Plus unit.

Kit Contents



CCP-78911

Part Number	Description
497-0527126	7357-K910 Coupon Chute with Proximity Sensor Assembly
795-0285013	Chute - R6Ln+ Main Door With Proximity Sensor (Coles Silver)
497-0456066	Lens – Plastic – Motionsensor - Lower Door
006-8616341	Optoelectronic Device, 3 Pin
006-8611199	Screw - 4-20X0.250" Phillips Pan Head, Plastite, Blue Zinc (2 Pcs)

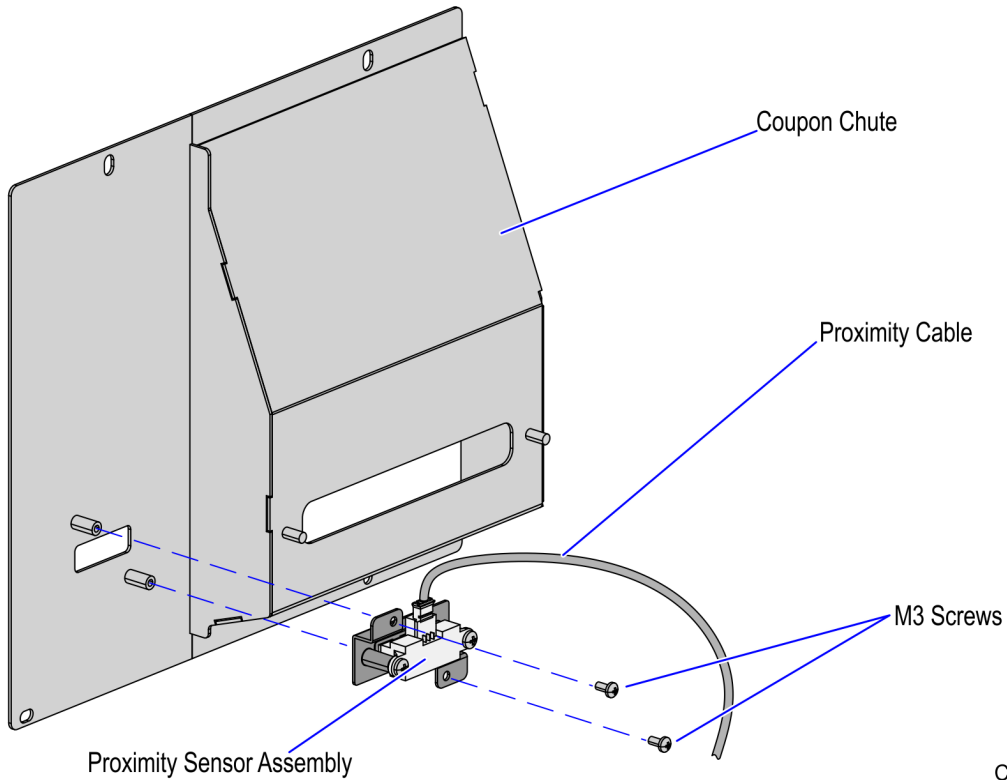
Part Number	Description
006-8611077	Screw-M3X6 Ph Phillips (2 Pcs)
497-0513793	Cable - Proximity Sensor
* 497-0477142	Label Set Spark
* 497-0423108	Instructions - Kit (Reference Sheet)

* Items marked with an asterisk are not called out on the image.

Installation Procedure

To install the Coupon Chute with Proximity Sensor Assembly, follow these steps:

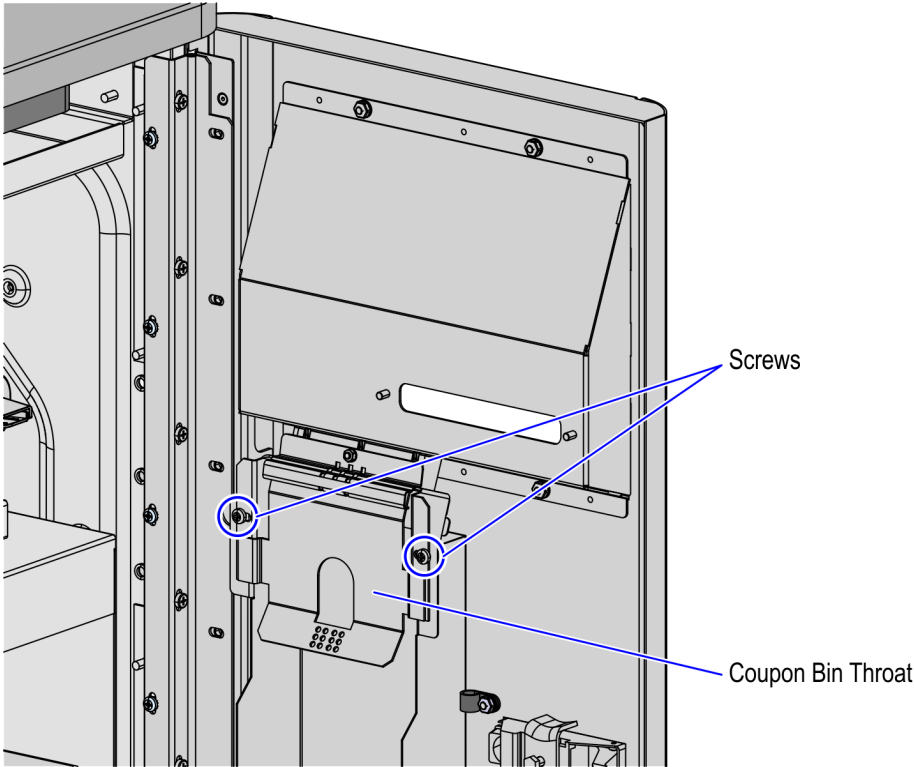
1. Open the Core Door. For more information, refer to "[Opening the Core Door](#)" on page 12.
2. Install the Proximity Sensor Assembly to the Coupon Chute using two (2) M3 screws, as shown in the image below.



CCP-78912

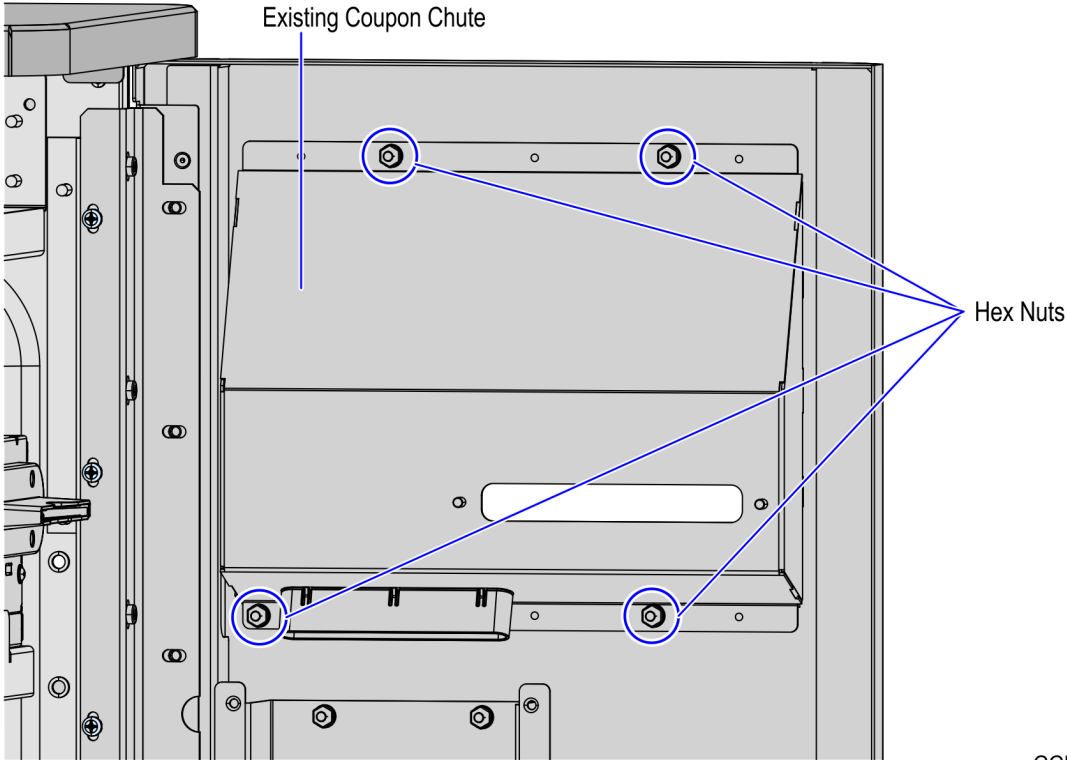
3. Open the Core Door. For more information, refer to "[Opening the Core Door](#)" on page 12.

- 4. Detach the Coupon Bin Throat from the back of the Core Door by removing two (2) screws. Set these aside for reinstallation later.



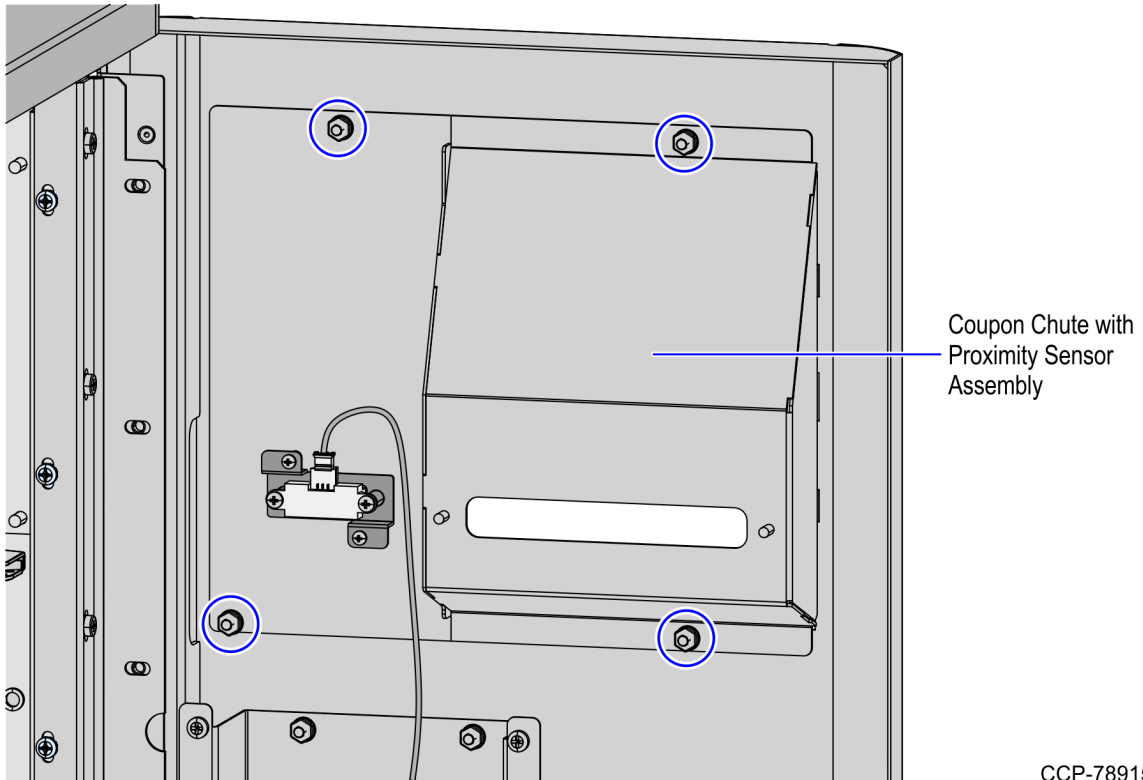
CCP-78913

- 5. Detach the existing Coupon Chute from the back of the Core Door by removing four (4) hex nuts. Set aside the hex nuts.

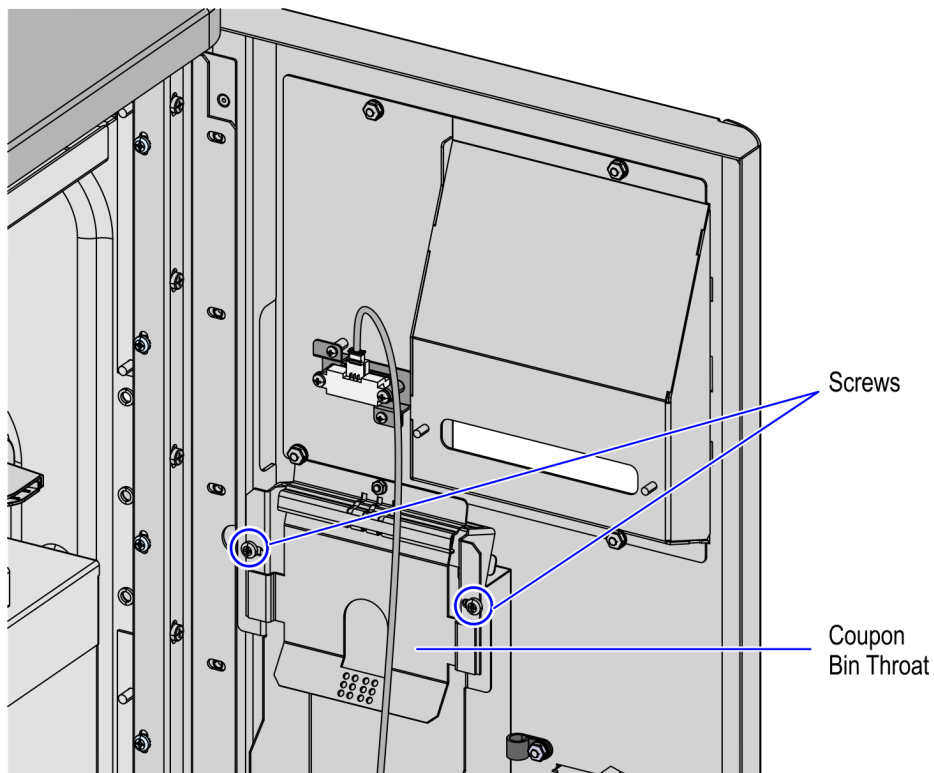


CCP-78914

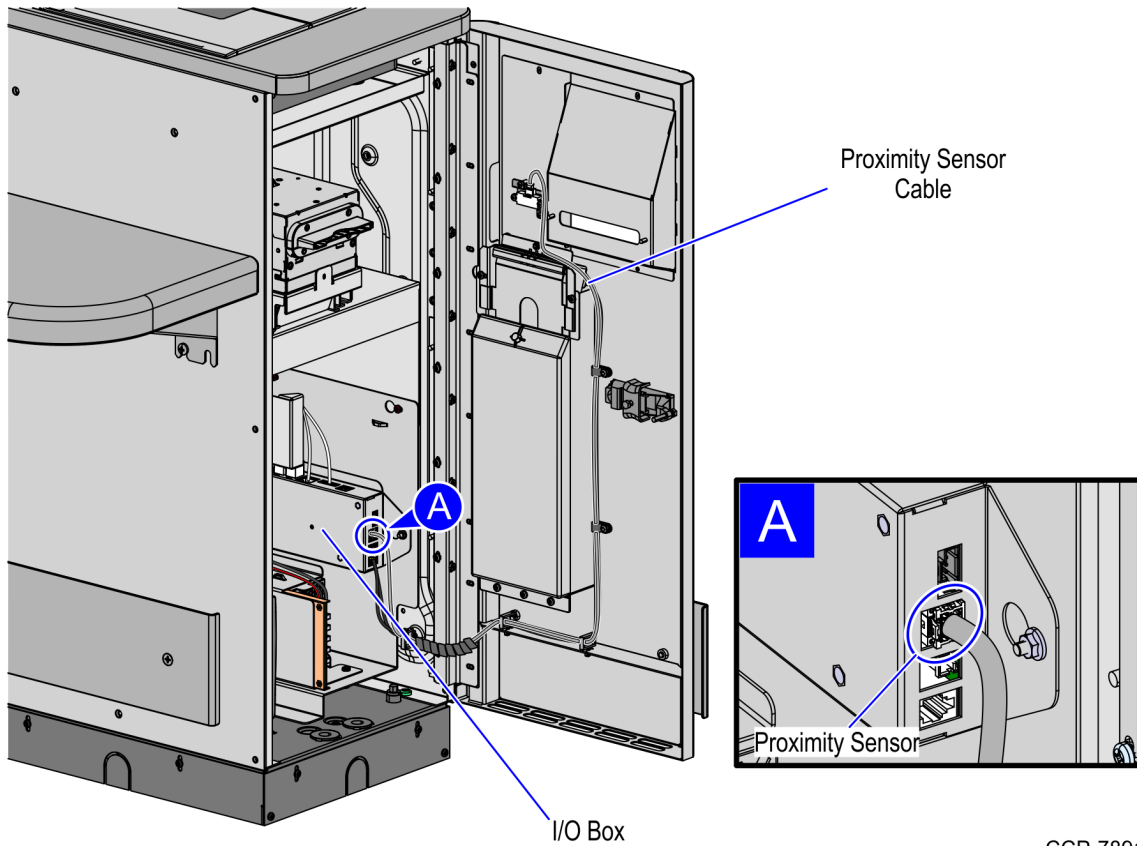
6. Attach the Coupon Chute with Proximity Sensor Assembly to the back of the Core Door by reusing the four (4) hex nuts that were previously removed from the existing Coupon Chute.



7. Re-attach the Coupon Bin Throat to the back of the Core Door using two (2) screws.



8. Route the Proximity Sensor cable along the Core Door and connect to the I/O Box, as shown in the image below.



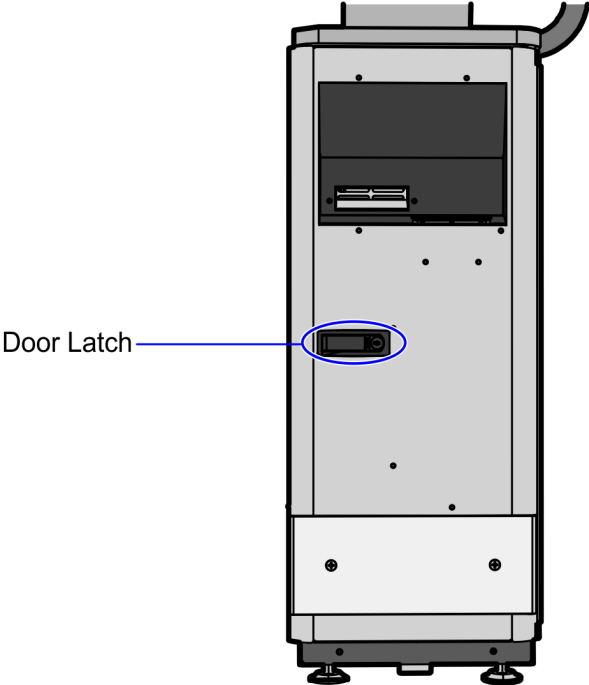
CCP-78917

9. Close the Cabinet Door. For more information, refer to "[Closing the Core Door](#)" on page 13.

Opening the Core Door

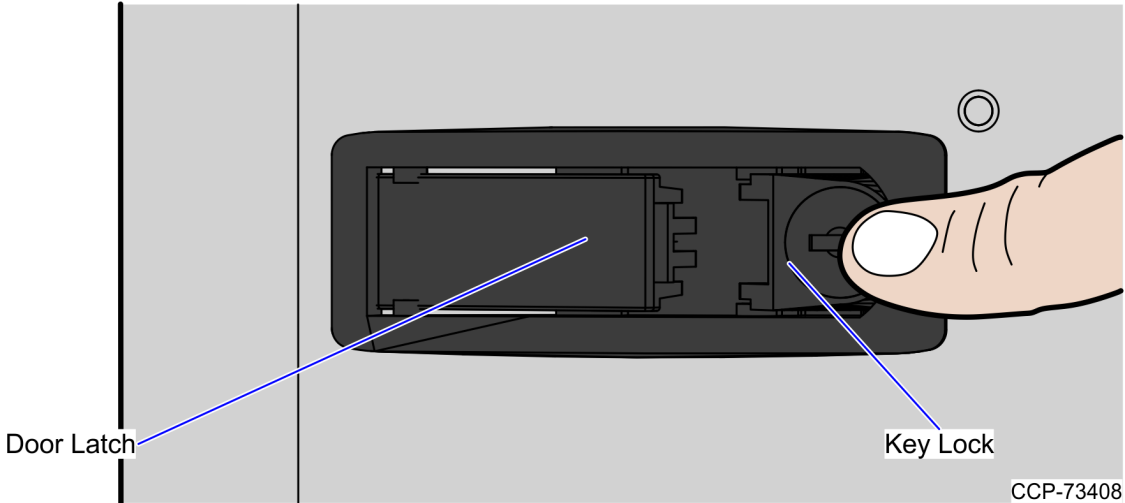
To open the Core Door, follow these steps:

1. Insert key into lock on door latch and turn key counterclockwise.



CCP-73407

2. Remove key and then press the keylock to unlatch and open the door.

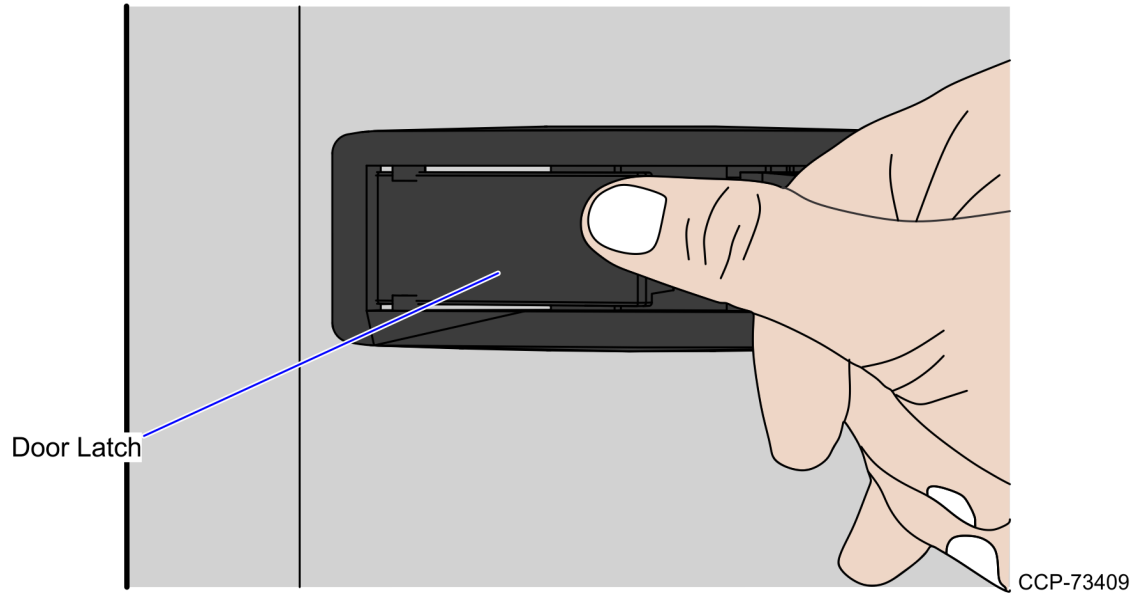


CCP-73408

Closing the Core Door

To close the Core Door, follow these steps:

1. Push the core door to the core cabinet and push the door latch until it closes.



2. Insert key in door latch lock and turn it clockwise to lock door.
3. Remove keys.