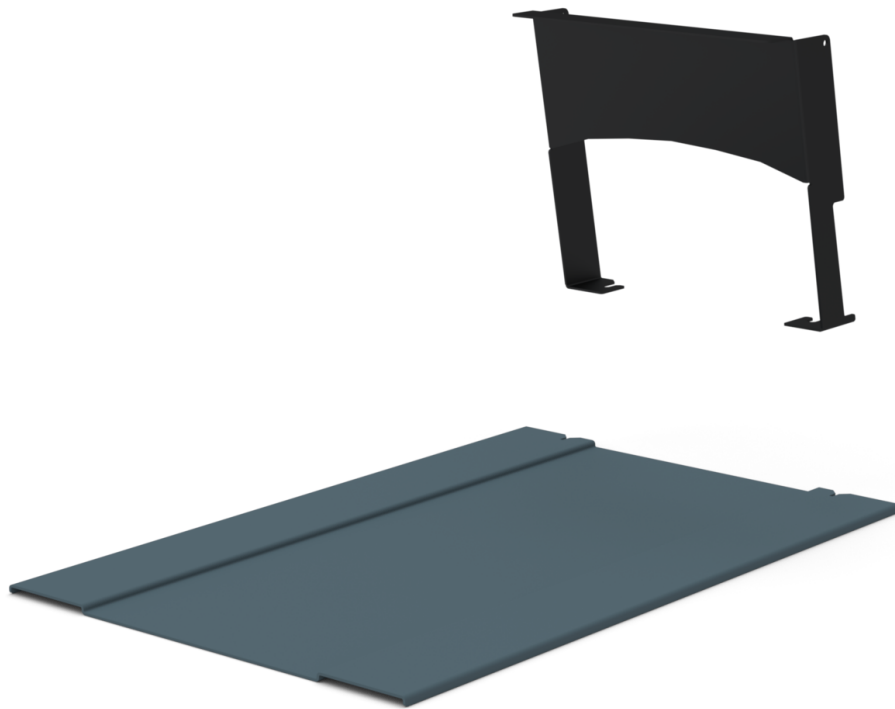


Kit Instructions

NCR 7895 Scanner/Scale Shroud and Adapter Plate



7357-K895
Issue A



The product described in this document is a licensed product of NCR Corporation.

NCR is a registered trademark of NCR Corporation. NCR FastLane SelfServ™ Checkout is a trademark of NCR Corporation in the United States and/or other countries. Other product names mentioned in this publication may be trademarks or registered trademarks of their respective companies and are hereby acknowledged.

The terms HDMI and HDMI High-Definition Multimedia Interface, and the HDMI Logo are trademarks or registered trademarks of HDMI Licensing LLC in the United States and other countries.

Where creation of derivative works, modifications or copies of this NCR copyrighted documentation is permitted under the terms and conditions of an agreement you have with NCR, NCR's copyright notice must be included.

It is the policy of NCR Corporation (NCR) to improve products as new technology, components, software, and firmware become available. NCR, therefore, reserves the right to change specifications without prior notice.

All features, functions, and operations described herein may not be marketed by NCR in all parts of the world. In some instances, photographs are of equipment prototypes. Software screen images are representative, and in some cases, may not match a customer's installed software exactly. Therefore, before using this document, consult with your NCR representative or NCR office for information that is applicable and current.

To maintain the quality of our publications, we need your comments on the accuracy, clarity, organization, and value of this book. Please use the link below to send your comments.

Email: FD230036@ncr.com

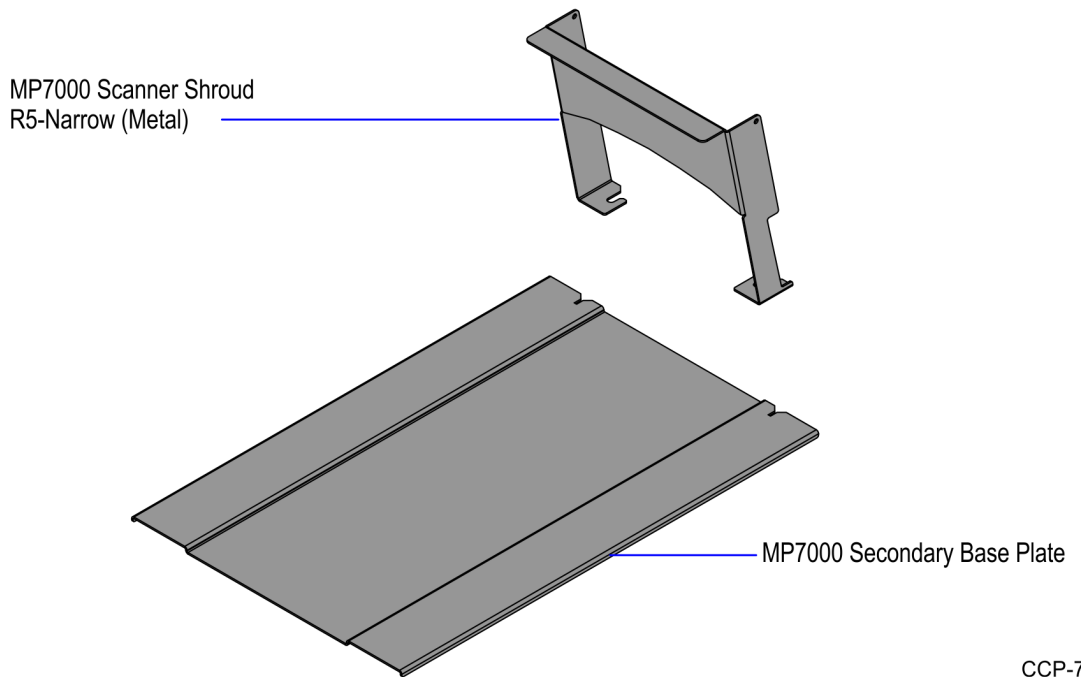
Copyright © 2021
By NCR Corporation
Global Headquarters
864 Spring St NW
Atlanta, GA 30308
U.S.A.
All Rights Reserved

Revision Record

Issue	Date	Remarks
A	July 2021	First Issue

NCR 7895 Scanner/Scale Shroud and Adapter Plate

This publication provides procedure for installing an NCR 7895 Scanner/Scale Shroud and Adapter Plate to the NCR FastLane SelfServ™ Checkout (7357) R6LN Plus.



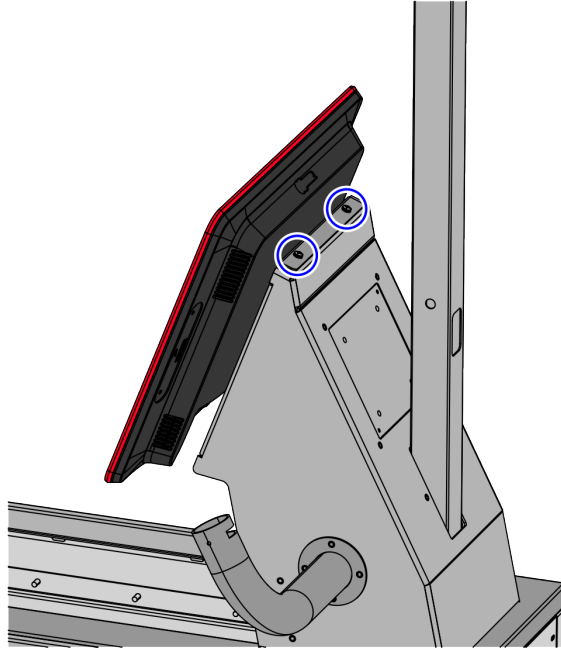
CCP-79740

Part Number	Description
497-0529907	7895 Tower Shroud and Adapter Plate Kit
497-0528941	MP7000 Secondary Base Plate
497-0529010	MP7000 Scanner Shroud - R5 Narrow (Metal)

Installation Procedure

To install the NCR 7895 Scanner/Scale Shroud and Adapter Plate, follow these steps:

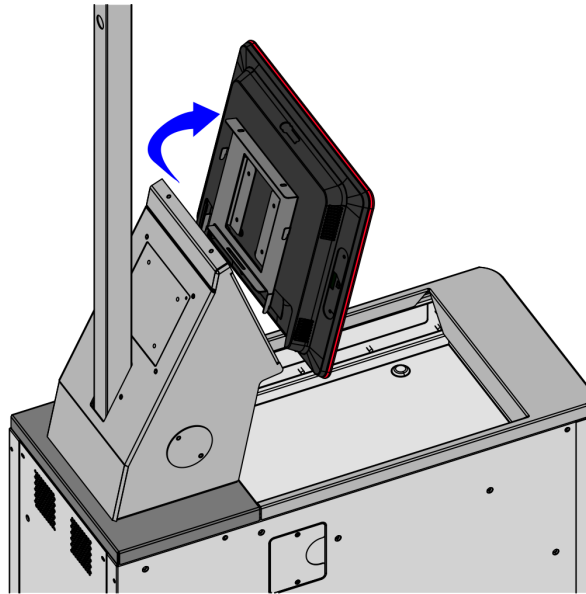
1. Shut down the NCR FastLane SelfServ™ Checkout software and hardware systems.
2. Remove the Terminal Display by doing the following:
 - a. Remove two (2) screws that are securing the Display Mounting Bracket on the Tower Frame.



CCP-79790

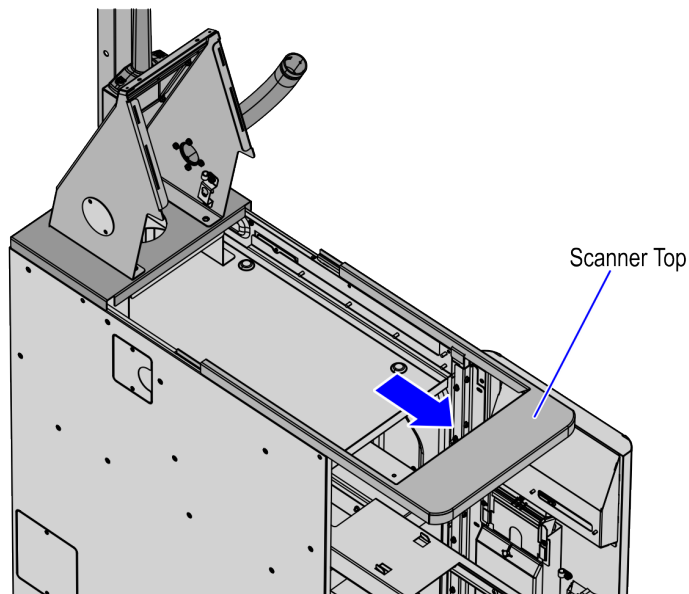
- b. Slide up the Display to disengage the mount hooks from the core.

- c. Lift and tilt the Display forward, as shown in the image below.



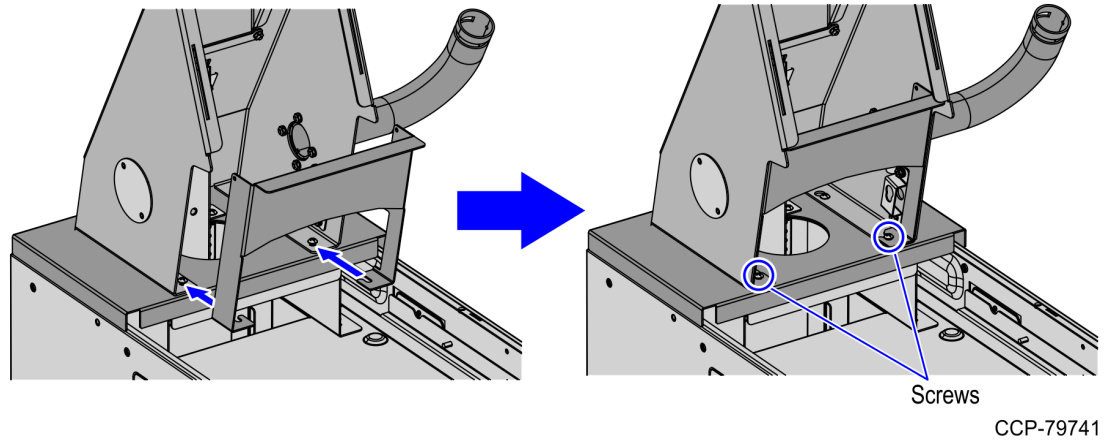
CCP-76104

- d. Disconnect the Display cables.
3. Open the Core Door.
 4. Remove the Scanner Top by sliding it forward, as shown in the image below.

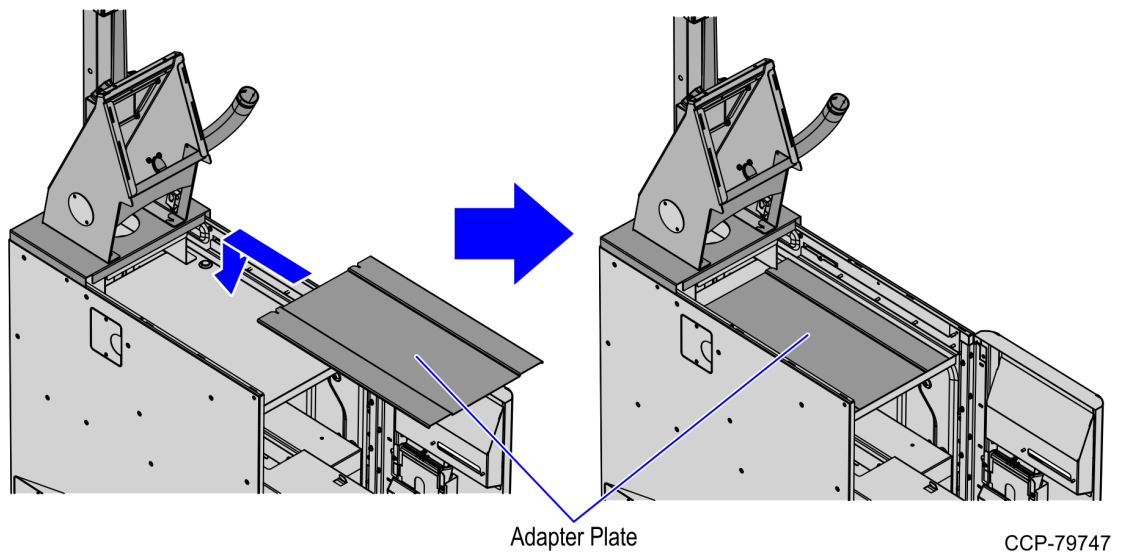


CCP-79775

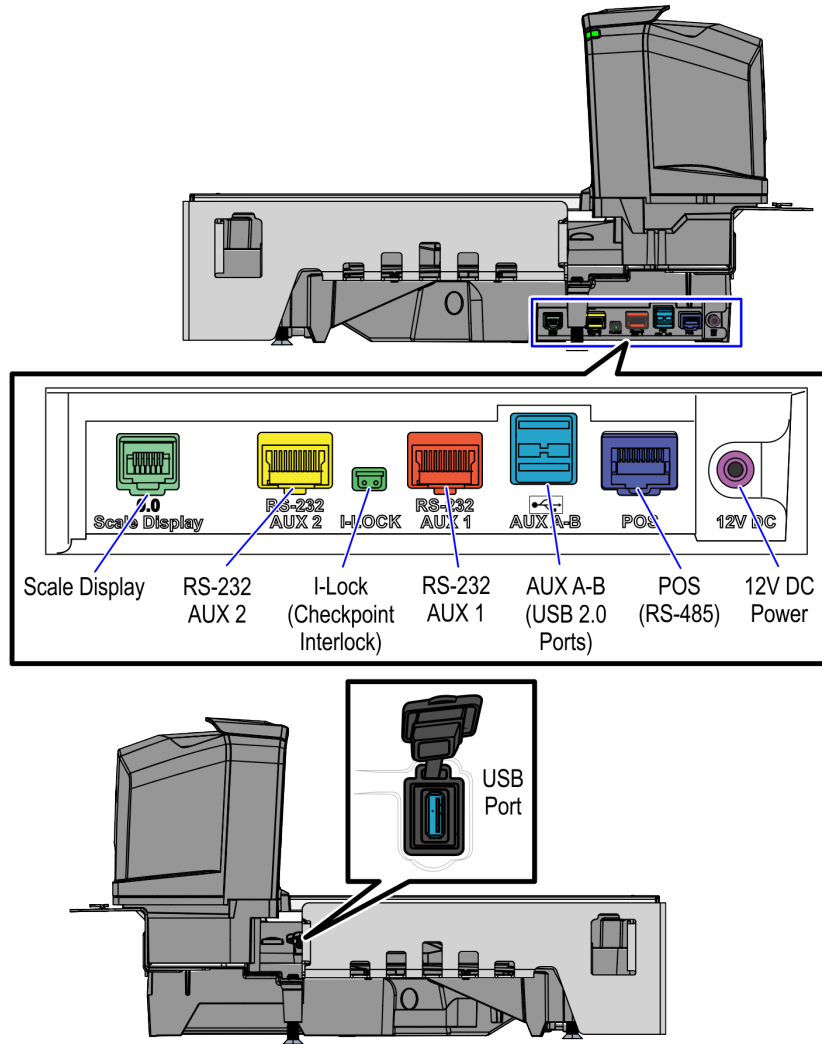
5. Loosen the two (2) screws on the bottom of the Tower Frame and remove the existing Tower Shroud.
6. Install the 7895 Scanner/Scale Shroud and tighten both screws, as shown in the image below.



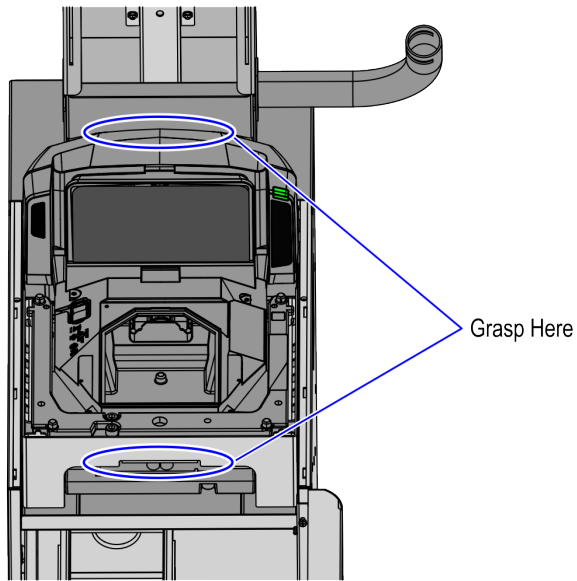
7. Install the Adapter Plate on the Scanner Bucket, as shown in the image below.



8. Install the NCR 7895 Scanner/Scale by doing the following:
 - a. Connect all cables to the designated ports on the NCR 7895 Scanner/Scale.

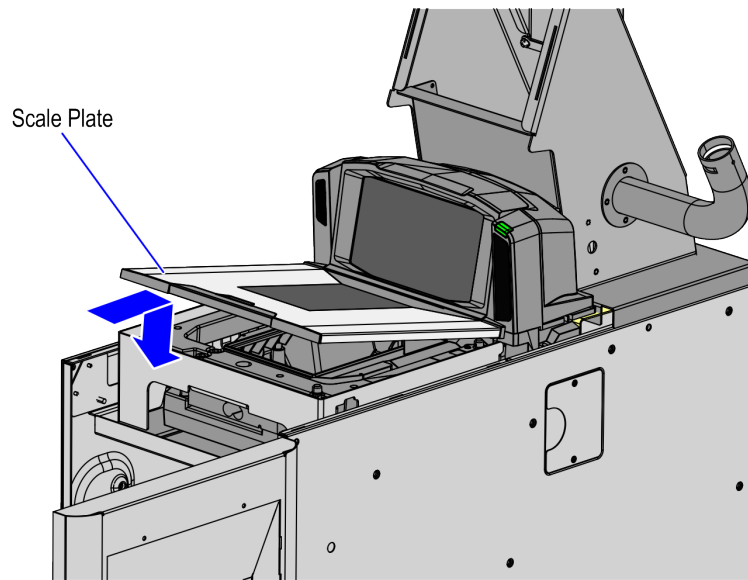


b. Place the Scanner/Scale in the Scanner bucket.



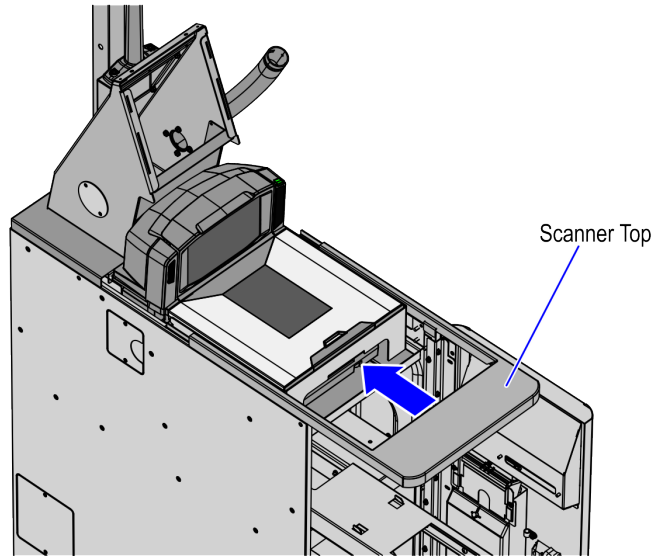
CCP-79777

c. Lower the Scale Plate.



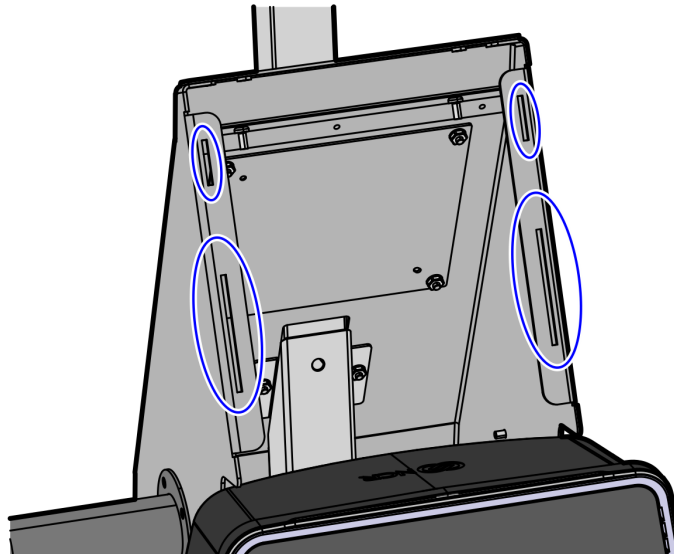
CCP-79781

- d. Install the Scanner Top by sliding it toward the Tower Frame.



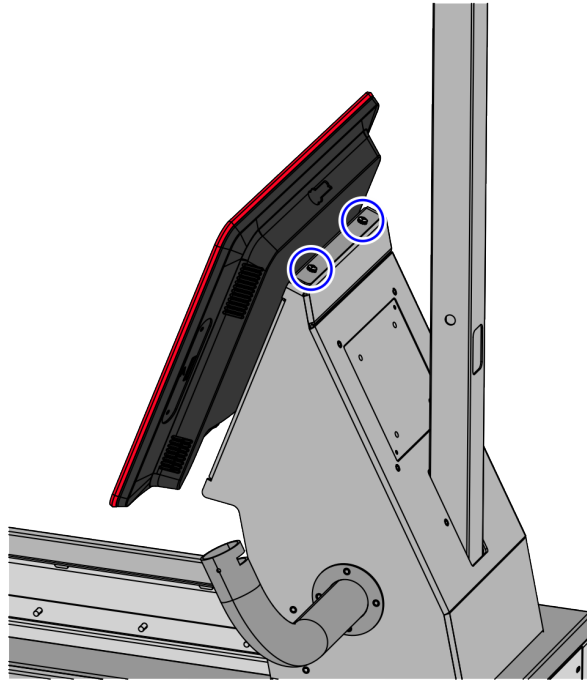
CCP-79780

- e. Connect cables to designated ports on the Display.
9. Install the Terminal Display to the Tower Frame, by doing the following:
- a. Align hooks in mounting bracket to the holes in the Tower Frame and slide down the Display to lock in place. Align hooks of Mounting Bracket at the back of the Terminal Display to the holes in the Tower Frame and then slide down the Display to lock in place.



CCP-73414

10. Secure the Terminal Display to the Tower Frame using two (2) screws.



CCP-79790

11. Ensure that the devices are working properly by powering up the NCR FastLane SelfServ™ Checkout software and hardware systems.