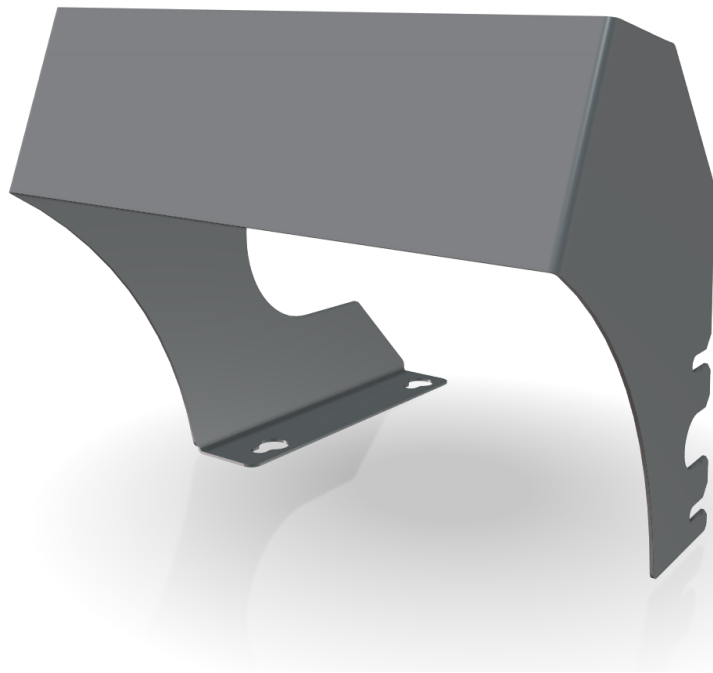




Kit Instructions

Gap Filler for 7874 Scanner/Scale



7357-K800

Issue B

Copyright and Trademark Information

The product described in this document is a licensed product of NCR Voyix Corporation.

NCR FastLane SelfServ™ Checkout is a trademark of NCR Voyix Corporation in the United States and/or other countries. Other product names mentioned in this publication may be trademarks or registered trademarks of their respective companies and are hereby acknowledged.

Where creation of derivative works, modifications or copies of this NCR copyrighted documentation is permitted under the terms and conditions of an agreement you have with NCR, NCR's copyright notice must be included.

Disclaimer:

It is the policy of NCR Voyix Corporation to improve products as technology, components, software and firmware become available. NCR Voyix therefore reserves the right to change specifications without prior notice.

All features, functions and operations described herein may not be marketed by NCR Voyix in all parts of the world. In some instances, photographs are of equipment prototypes.

Therefore, before using this document, consult with your NCR Voyix representative or NCR Voyix office for information that is applicable and current.

© 2019 - 2025

By NCR Voyix Corporation

Atlanta, Georgia, USA

All Rights Reserved

Table of Contents

7357-K800 Gap Filler for 7874 Scanner/Scale **5**

 Kit Contents 5

 Installation Procedure 6

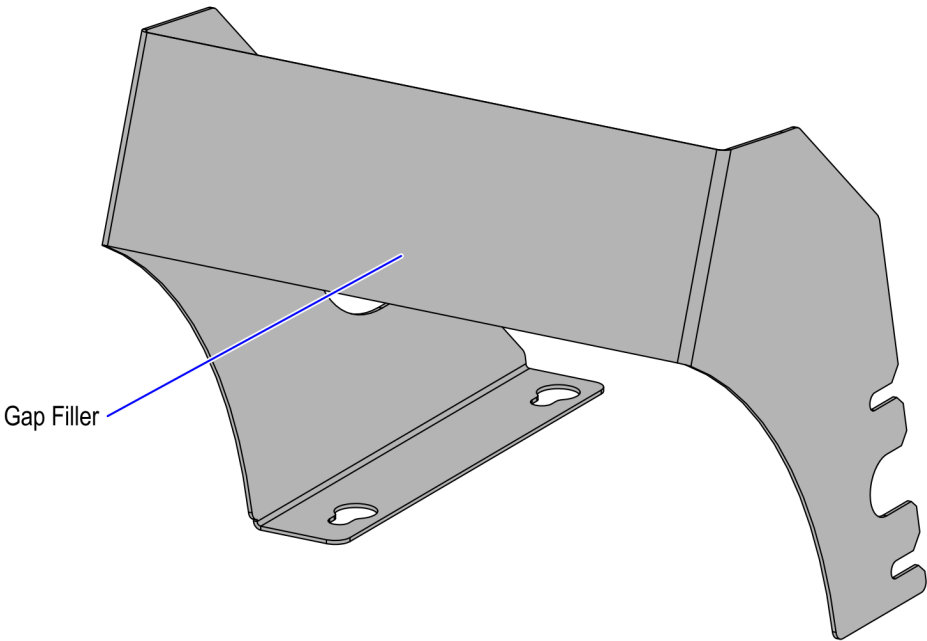
Revision Record

Publication issue	Date	Description of change
A	Jul 2019	First issue.
B	May 2025	Updated to NCR Voyix brand.

7357-K800 Gap Filler for 7874 Scanner/Scale

This publication provides instructions for installing the Gap Filler on NCR FastLane SelfServ™ Checkout (7357) R6LN Plus units that are configured with a 7874 Scanner/Scale.

Kit Contents



CCP-76099

Part Number	Description
497-0524508	7357-K800 Gap Filler for 7874 Scanner/Scale
497-0524165	Gap Filler
* 497-0423108	Instructions - Kit (Reference Sheet)

* Items marked with an asterisk are not called out on the image.

Installation Procedure

To install the Gap Filler on NCR FastLane SelfServ™ Checkout (7357) R6LN Plus units configured with a 7874 Scanner/Scale, follow these steps:

1. Do the following:
 - Remove the Terminal Display.
 - Remove the Scanner/Scale.

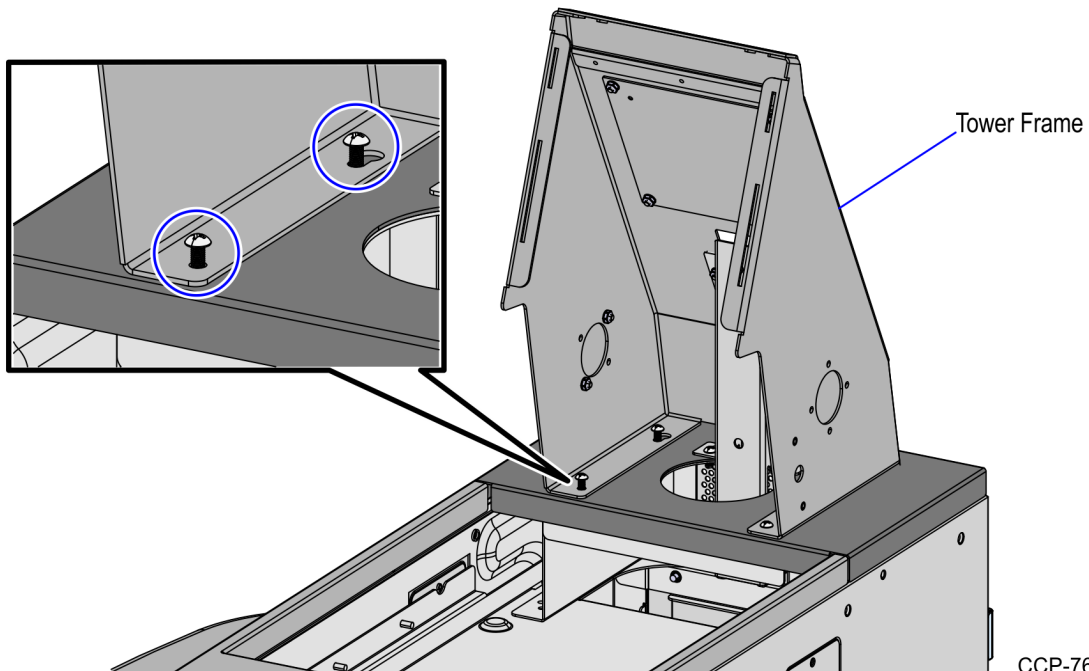
For more information about removing these devices, refer to the *NCR FastLane SelfServ™ Checkout (7357) R6LN Plus Hardware Service Guide (BCC5-0000-5343)*.

2. Loosen two (2) screws securing the Tower Frame, as shown in the image below.



Note

Do not remove the screws. Only loosen the screws for about 2 - 5 mm.

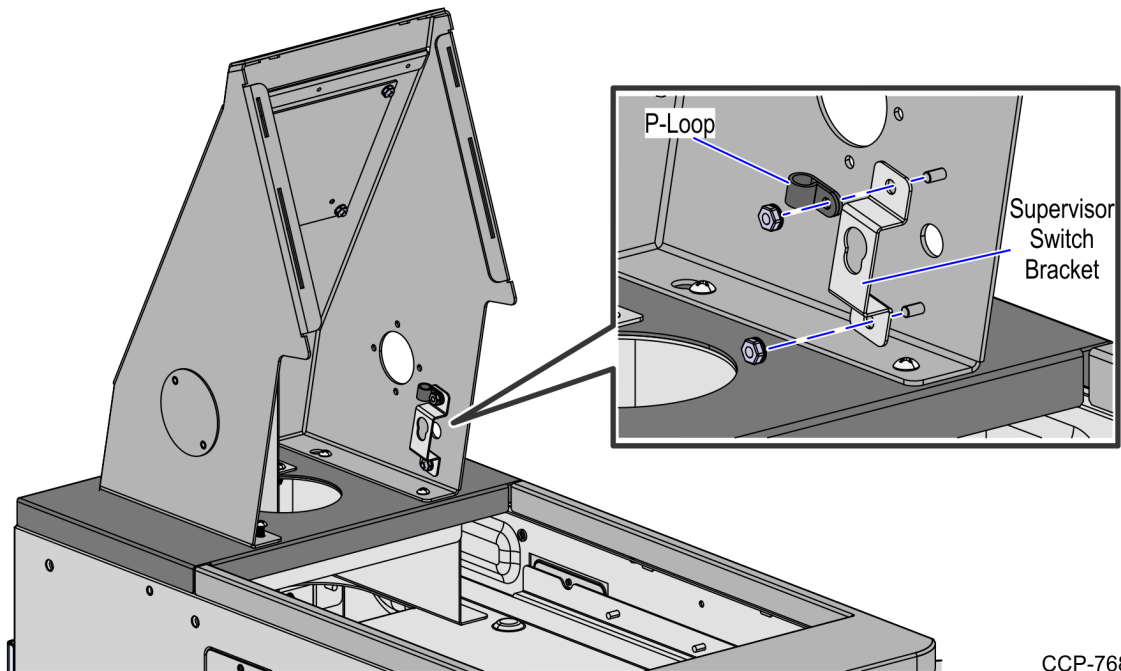


3. Remove the Supervisor Switch including the Supervisor Switch Bracket and P-Loop by removing two (2) Hex nuts.



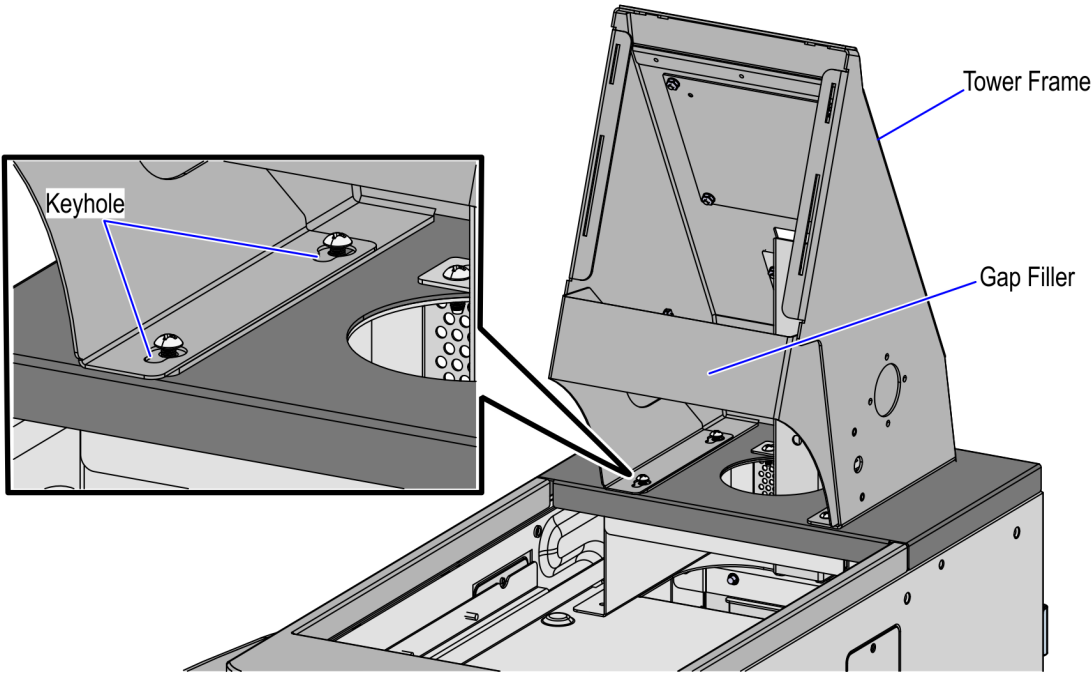
Note

For more information about removing the Supervisor Switch, refer to the *NCR FastLane SelfServ™ Checkout (7357) R6LN Plus Hardware Service Guide (BCC5-0000-5343)*.



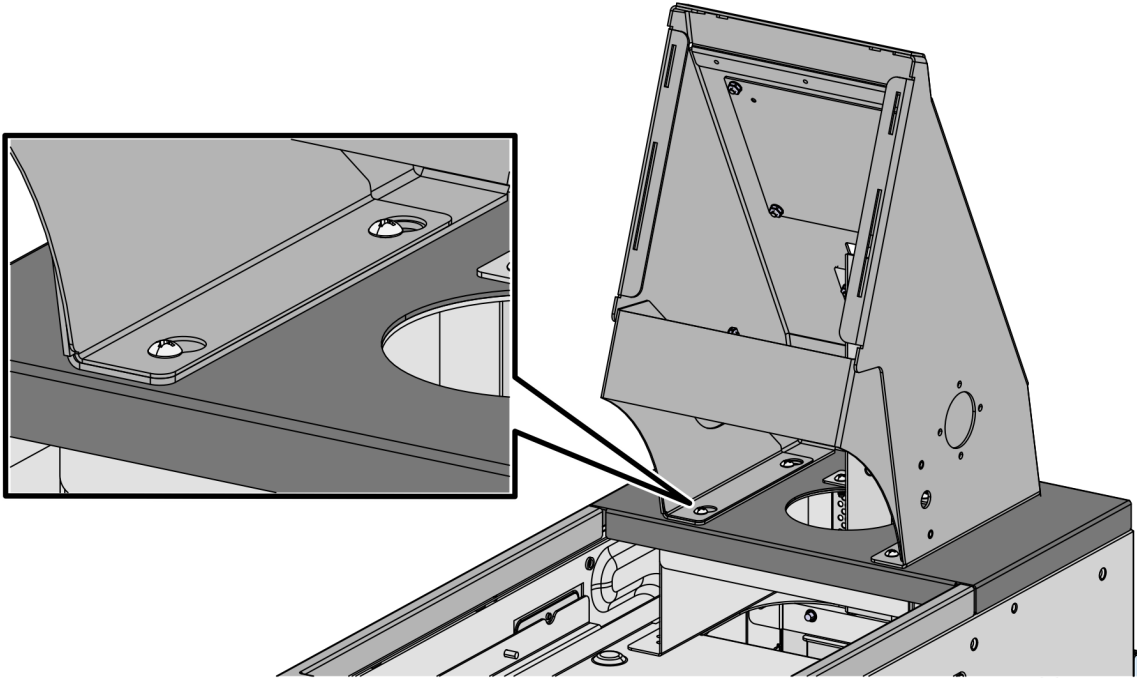
CCP-76801

- 4. Slide the Gap Filler into the Tower Frame. Ensure that the screwheads securing the Tower Frame are aligned with the keyholes at the bottom of the Gap Filler, as shown in the image below.



CCP-76802

- 5. Push the Gap Filler toward the back and then tighten the screws, as shown in the image below.



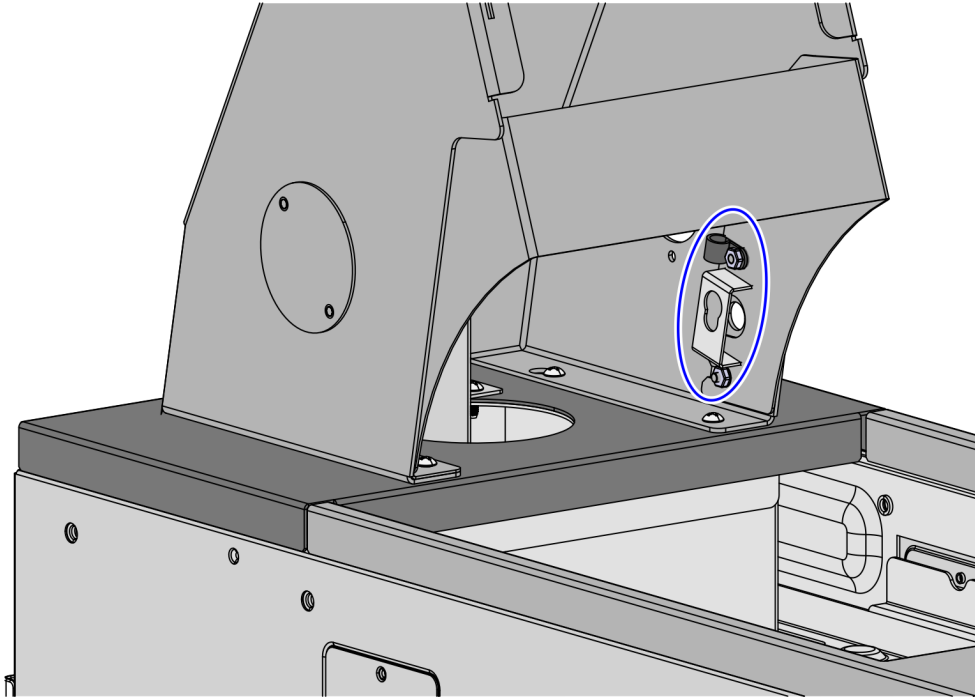
CCP-76803

6. Install the Supervisor Switch including the Supervisor Switch Bracket and P-Loop using two (2) Hex nuts.



Note

For more information about installing the Supervisor Switch, refer to the *NCR FastLane SelfServ™ Checkout (7357) R6LN Plus Hardware Service Guide (BCC5-0000-5343)* .



CCP-76804

7. Do the following:
 - Install the Terminal Display.
 - Install the Scanner/Scale.

For more information about installing these devices, refer to the *NCR FastLane SelfServ™ Checkout (7357) R6LN Plus Hardware Service Guide (BCC5-0000-5343)*.