



Kit Instructions

PIN Pad Mount (Ingenico Lane 7000)



7357-K401

Issue B

Copyright and Trademark Information

The product described in this document is a licensed product of NCR Voyix Corporation.

NCR FastLane SelfServ™ Checkout is a trademark of NCR Voyix Corporation in the United States and/or other countries. Other product names mentioned in this publication may be trademarks or registered trademarks of their respective companies and are hereby acknowledged.

Where creation of derivative works, modifications or copies of this NCR copyrighted documentation is permitted under the terms and conditions of an agreement you have with NCR, NCR's copyright notice must be included.

Disclaimer:

It is the policy of NCR Voyix Corporation to improve products as technology, components, software and firmware become available. NCR Voyix therefore reserves the right to change specifications without prior notice.

All features, functions and operations described herein may not be marketed by NCR Voyix in all parts of the world. In some instances, photographs are of equipment prototypes.

Therefore, before using this document, consult with your NCR Voyix representative or NCR Voyix office for information that is applicable and current.

© 2021 - 2025

By NCR Voyix Corporation

Atlanta, Georgia, USA

All Rights Reserved

Table of Contents

7357-K401 PIN Pad Mount (Ingenico Lane 7000)	5
Kit Contents	5
Installing Ingenico Lane 7000 PIN Pad	6
Removing Existing PIN Pad Mount	8
Installing the PIN Pad Mount	9
Installing Ingenico Lane 7000 PIN Pad	10

Revision Record

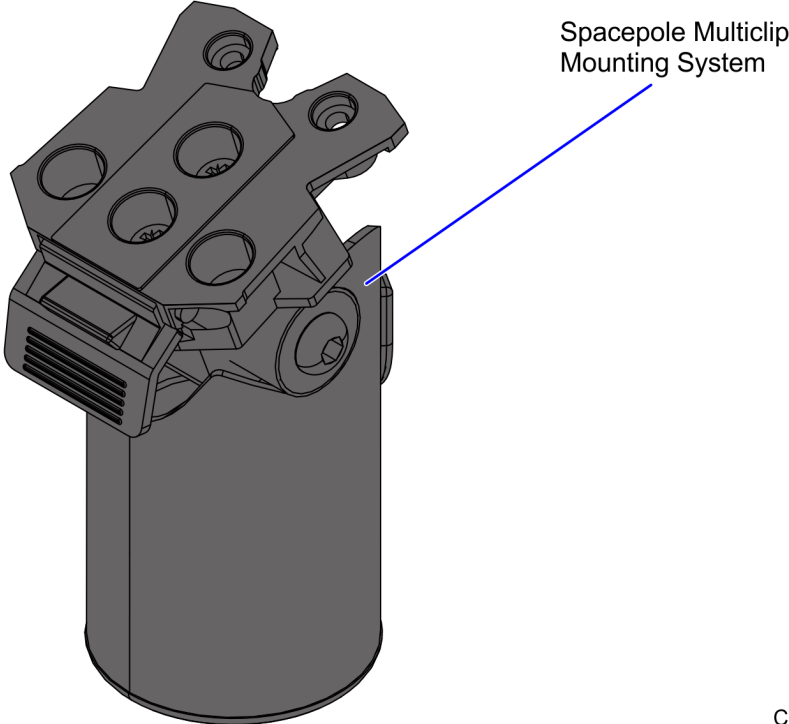
Publication issue	Date	Description of change
A	Sep 2021	First issue.
B	May 2025	Updated to NCR Voyix brand.

7357-K401 PIN Pad Mount (Ingenico Lane 7000)

This publication provides procedures for installing a PIN Pad Mount for an Ingenico Lane 7000 device on an NCR FastLane SelfServ™ Checkout (7357) R6LN Plus.

Note
 The Ingenico Lane 7000 PIN Pad is NOT included in this kit. Hence, it must be supplied by the customer.

Kit Contents



CCP-81618

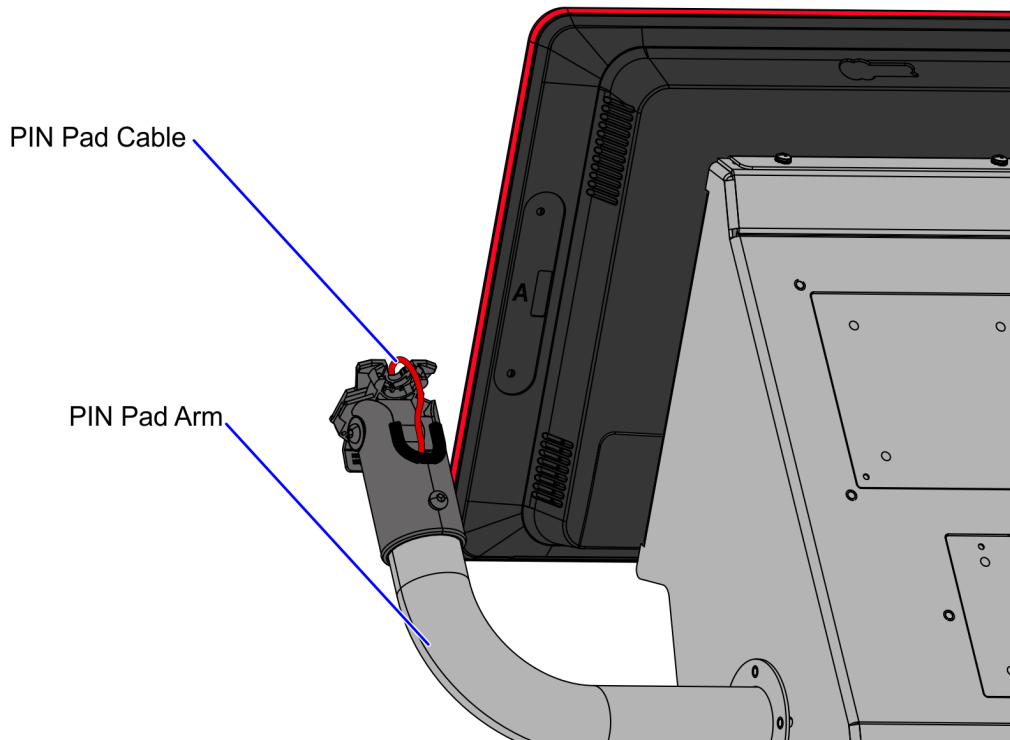
Part Number	Description
497-0530330	7357-K401 PIN Pad Mount Bracket (Ingenico Lane 7000) Kit
* 497-0423108	Instructions - Kit (Reference Sheet)

* Items marked with an asterisk are not called out on the image.

Installing Ingenico Lane 7000 PIN Pad

The Ingenico Lane 7000 PIN Pad is not included in the 7357-K401 PIN Pad Kit. For more information, contact your NCR Customer Service Representative.

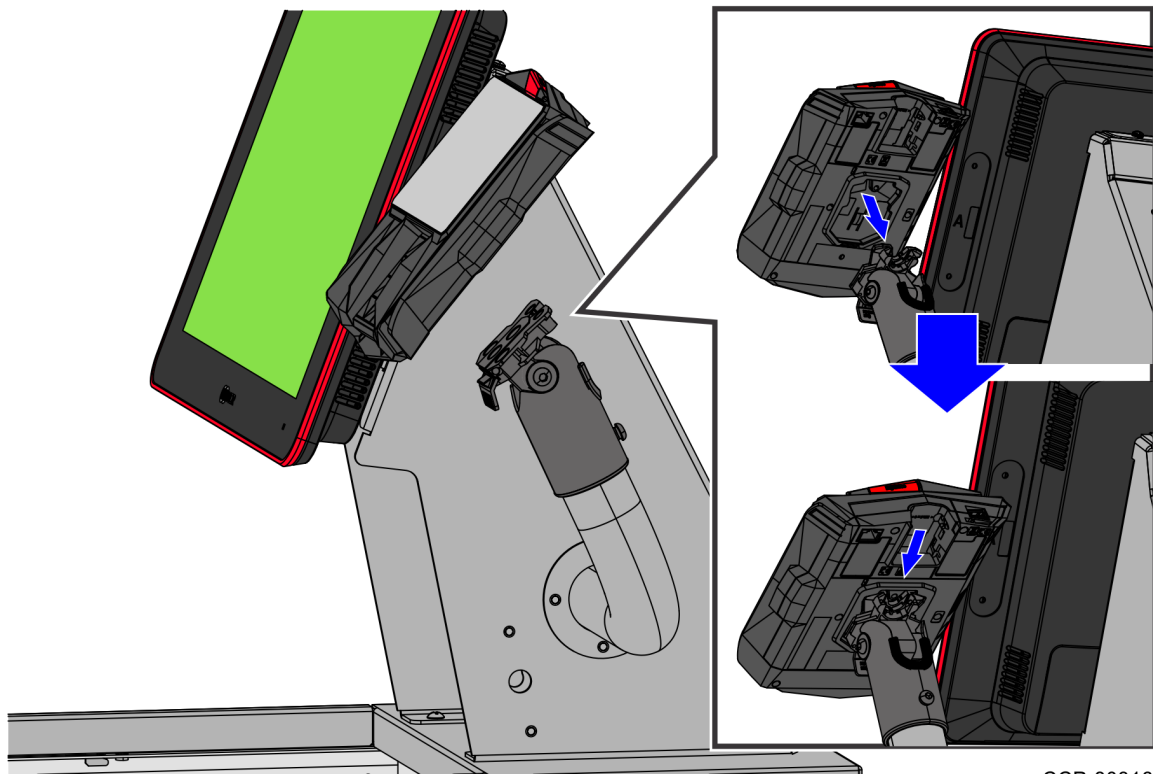
1. Connect the PIN Pad cable to the RS232/A port of the Primary Terminal Display.
2. Route the cable through the PIN Pad arm and out of the PIN Pad Mount.



CCP-80317

3. Connect the cable tot the PIN Pad port.

4. Mount the PIN Pad by attaching it to the PIN Pad Mount and sliding it down, as shown in the image below.



CCP-80316



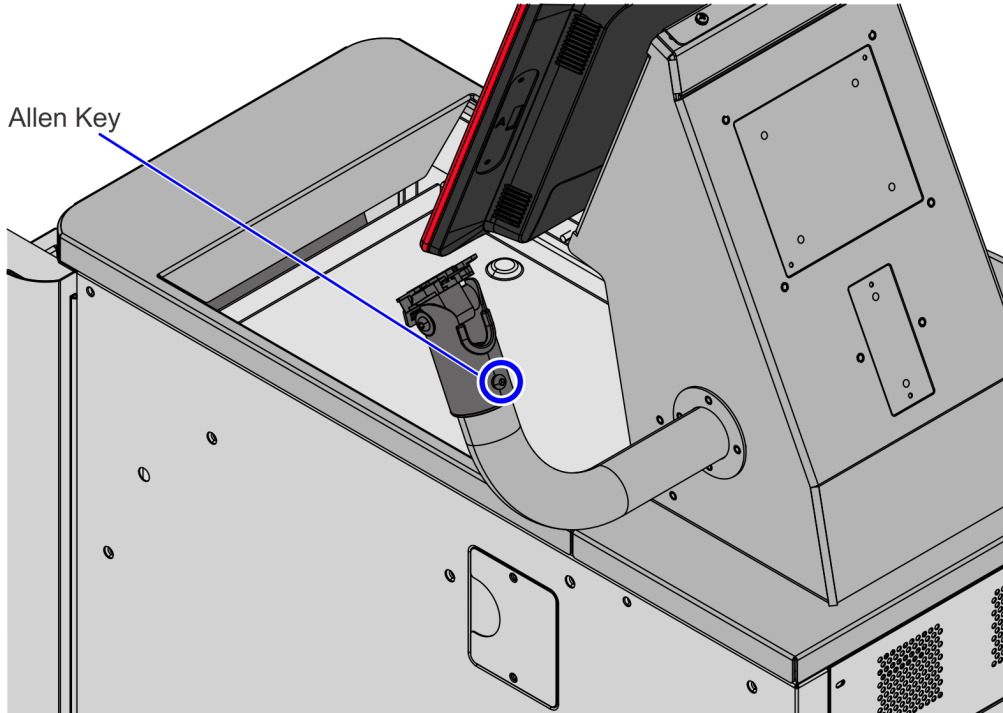
Note

The maximum vertical tilt of the PIN Pad Plate is 80° and the minimum vertical tilt is 20°.

Removing Existing PIN Pad Mount

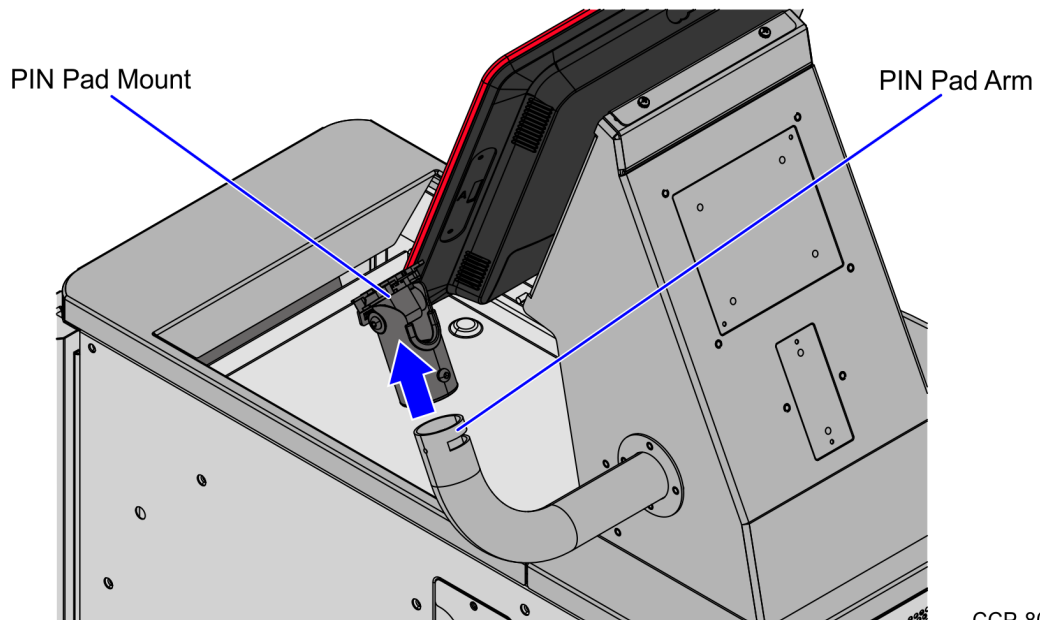
To remove the existing PIN Pad Mount, follow these steps:

1. Using an Allen Key, remove the screw securing the PIN Pad Mount to the PIN Pad Arm.



CCP-80306

2. Remove the PIN Pad Mount from the PIN Pad Arm, as shown in the image below.

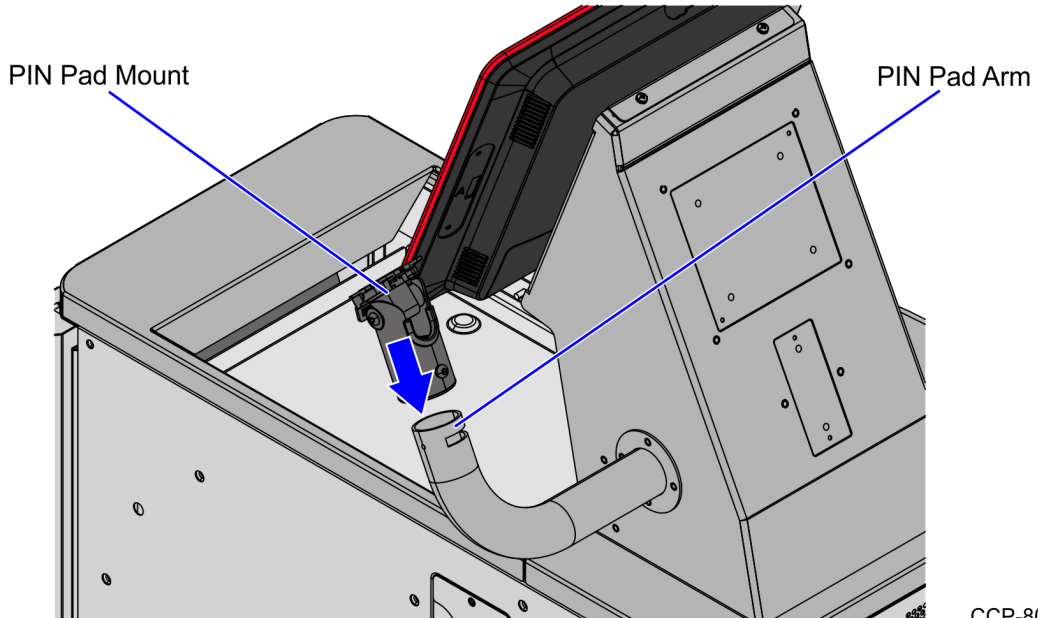


CCP-80308

Installing the PIN Pad Mount

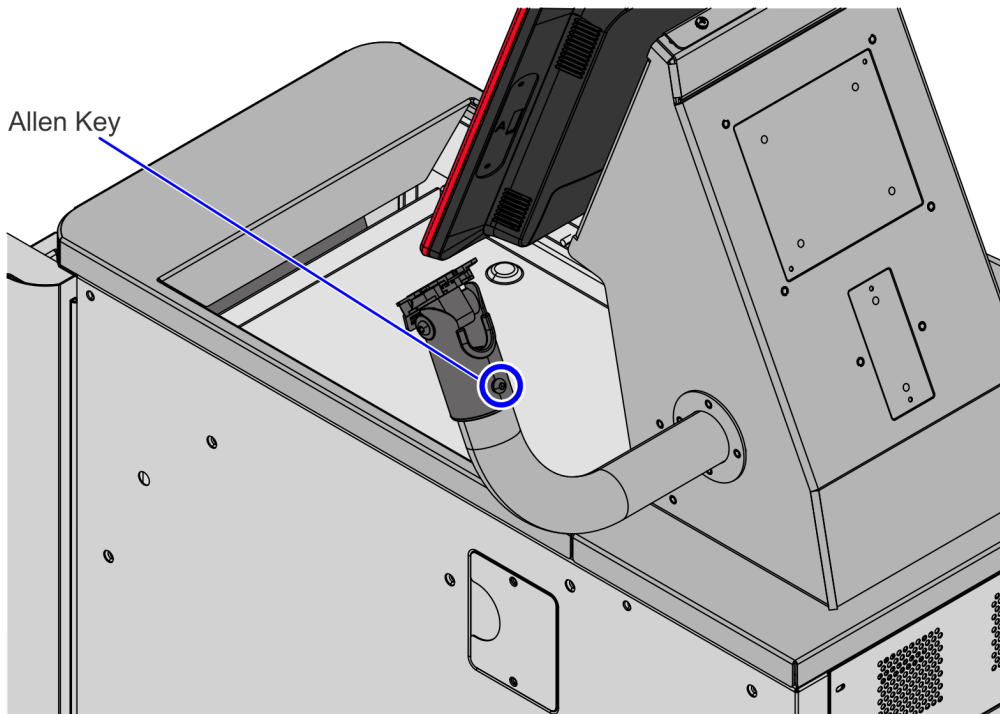
To install the PIN Pad Mount (Ingenico Lane 7000), follow these steps:

1. Ensure that the existing PIN Pad mount is removed from the unit. Refer to "[Removing Existing PIN Pad Mount](#)" on the previous page.
2. Attach the PIN Pad Mount (Ingenico Lane 7000) to the PIN Pad arm.



CCP-80307

3. Using an Allen Key, Tighten the screw to secure the PIN Pad Mount to the PIN Pad arm.

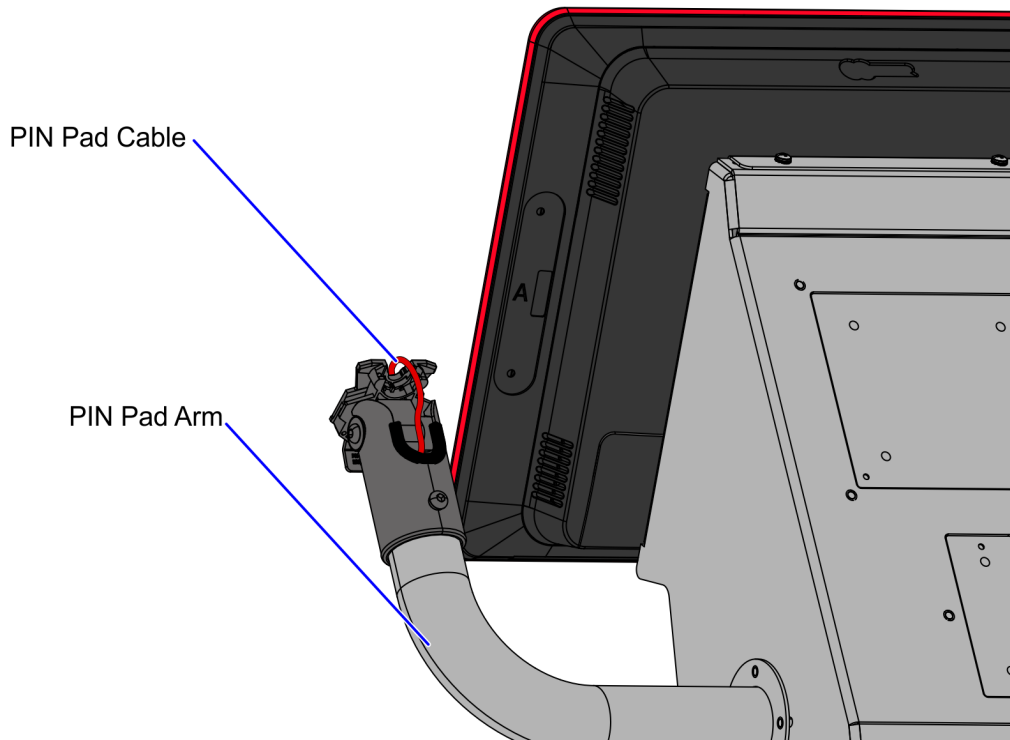


CCP-80306

Installing Ingenico Lane 7000 PIN Pad

The Ingenico Lane 7000 PIN Pad is not included in the 7357-K401 PIN Pad Kit. For more information, contact your NCR Customer Service Representative.

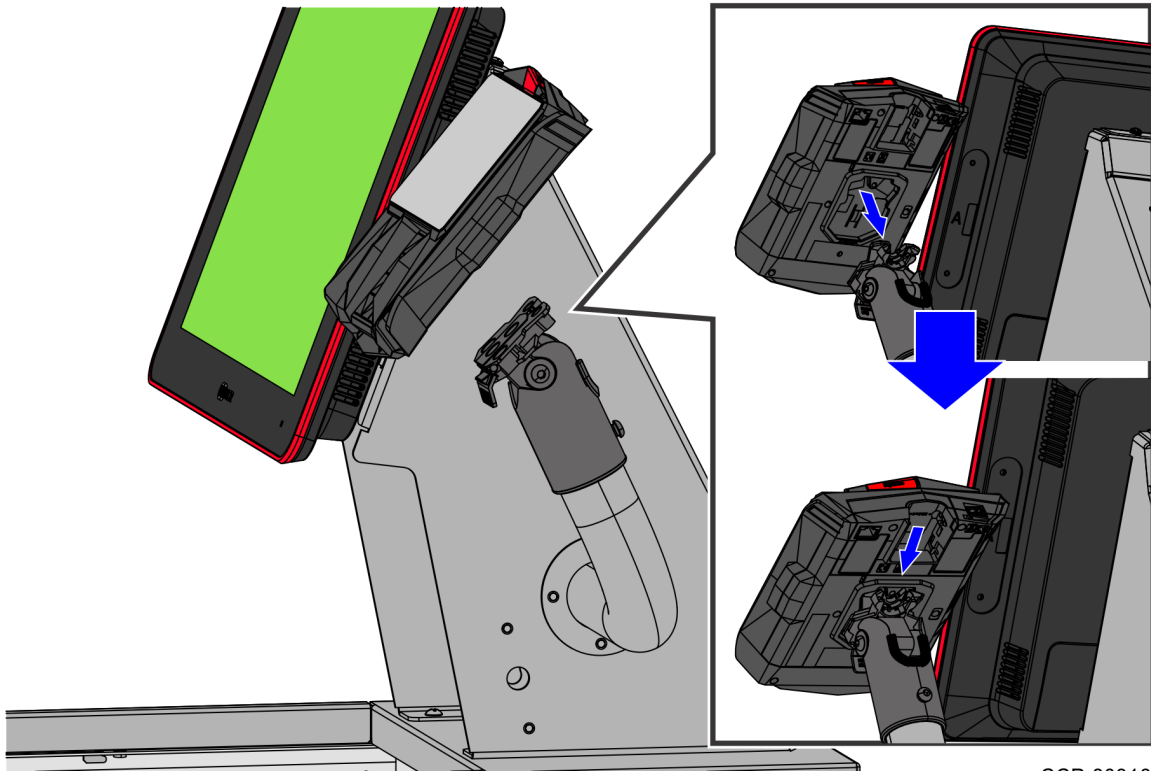
1. Connect the PIN Pad cable to the RS232/A port of the Primary Terminal Display.
2. Route the cable through the PIN Pad arm and out of the PIN Pad Mount.



CCP-80317

3. Connect the cable tot the PIN Pad port.

4. Mount the PIN Pad by attaching it to the PIN Pad Mount and sliding it down, as shown in the image below.



CCP-80316



Note

The maximum vertical tilt of the PIN Pad Plate is 80° and the minimum vertical tilt is 20°.