

Kit Instructions

PIN Pad Mount (Castles Saturn 1000L)



7350-K988
Issue A



The product described in this document is a licensed product of NCR Corporation.

NCR is a registered trademark of NCR Corporation. NCR SelfServ™ Checkout is a trademark of NCR Corporation in the United States and/or other countries. Other product names mentioned in this publication may be trademarks or registered trademarks of their respective companies and are hereby acknowledged.

The terms HDMI and HDMI High-Definition Multimedia Interface, and the HDMI Logo are trademarks or registered trademarks of HDMI Licensing LLC in the United States and other countries.

Where creation of derivative works, modifications or copies of this NCR copyrighted documentation is permitted under the terms and conditions of an agreement you have with NCR, NCR's copyright notice must be included.

It is the policy of NCR Corporation (NCR) to improve products as new technology, components, software, and firmware become available. NCR, therefore, reserves the right to change specifications without prior notice.

All features, functions, and operations described herein may not be marketed by NCR in all parts of the world. In some instances, photographs are of equipment prototypes. Software screen images are representative, and in some cases, may not match a customer's installed software exactly. Therefore, before using this document, consult with your NCR representative or NCR office for information that is applicable and current.

To maintain the quality of our publications, we need your comments on the accuracy, clarity, organization, and value of this book. Please use the link below to send your comments.

Email: FD230036@ncr.com

Copyright © 2020
By NCR Corporation
Global Headquarters
864 Spring St. NW
Atlanta, GA 30308
United States
All Rights Reserved

Revision Record

| Issue | Date | Remarks |
|-------|----------|-------------|
| A | Aug 2019 | First Issue |
| | | |
| | | |

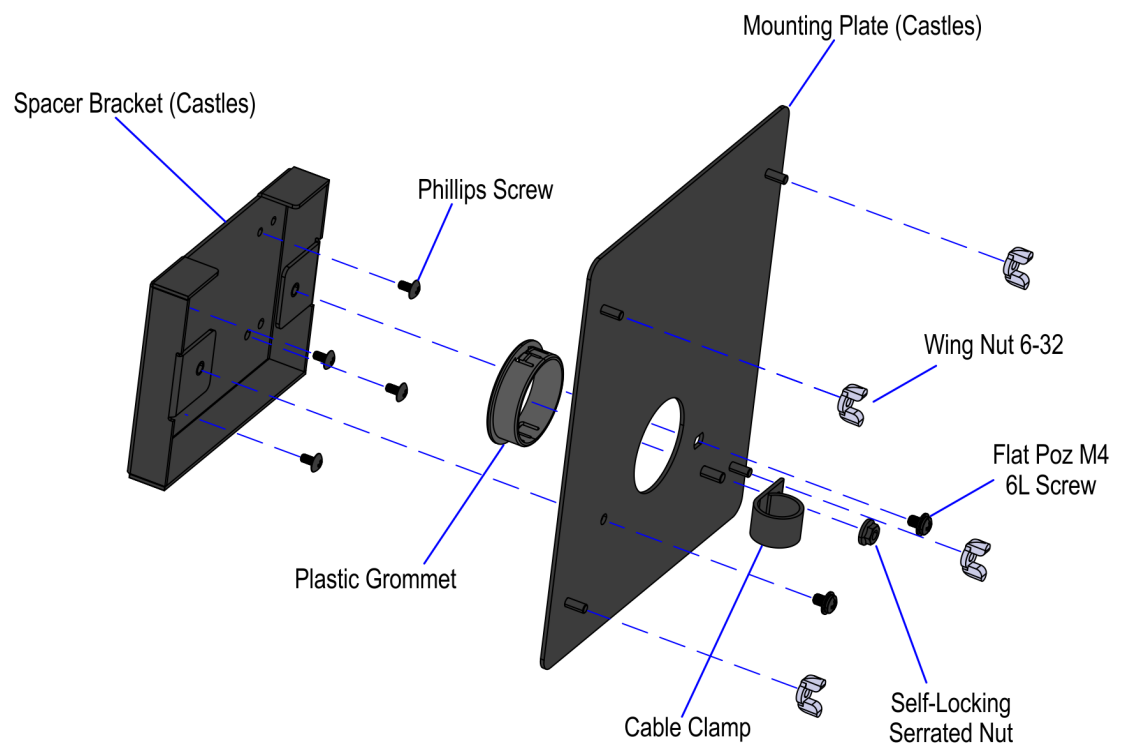
PIN Pad Mount (Castles Saturn 1000L)

This publication provides procedures for installing a PIN Pad Mount for a Castles Saturn 1000L device on an NCR SelfServ™ Checkout (7350).



Note: The Castles Saturn 1000L device is supplied by the customer.

Kit Contents



CCP-76866

| Part Number | Description |
|-------------|--|
| 497-0525932 | 7350-K988 PIN Pad Mount (Castles Saturn 1000L) Kit |
| 497-0525929 | Castles Device Mounting Plate |
| 497-0525930 | Spacer Bracket For Castles Device |
| 006-8624863 | Screw, M4 x 6, Sems. Philips, Pan Head (2 pcs) |
| 006-8625144 | Plastic - Grommet - Mounting Hole Diameter 1.5 in |
| 006-8616845 | Clamp - Cable (Open P-Loop), 5/8 in Id, Nylon, Natural |

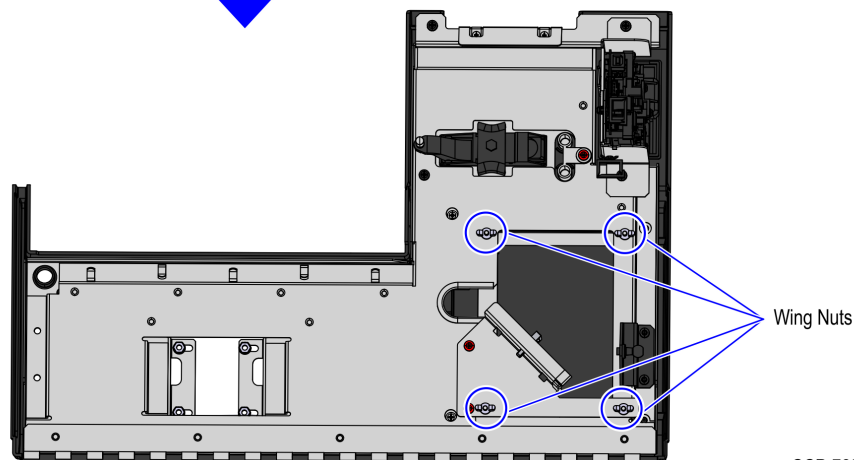
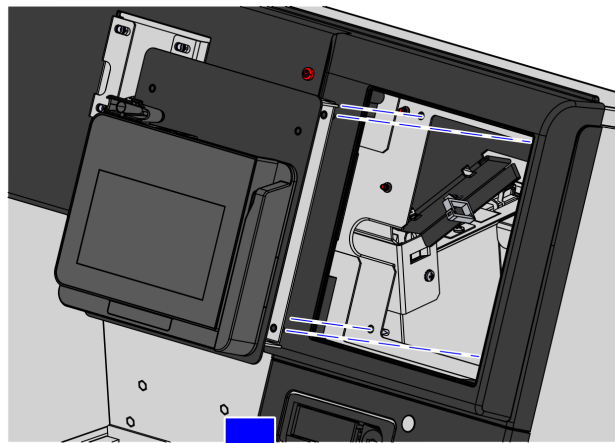
| Part Number | Description |
|-------------|--|
| 009-0007087 | Serrated Nut - Self Locking (M4, 4.2) |
| 006-8624619 | Screw, M3-0.5 Pitch x 6 mm, Truss Head, Phillips, Zinc, Nylock Patch (4 pcs) |
| 007-4581603 | Nut - Wing, 6-32 Zinc Plated Steel (4 pcs) |
| 497-0423108 | Instructions Kit (Reference Sheet) |

* Items marked with an asterisk are not called out on the image.

Installation Procedures

To install the E-Money device mount on the NCR SelfServ™ Checkout (7350), follow these steps:

1. Open the Upper Cabinet Door. For more information, refer to [Opening the Upper Cabinet Door](#) on the next page.
2. Remove the Blanking Plate and Bracket assembly from the Upper Cabinet Door. For more information, refer to [Removing PIN Pad Blanking Plate](#) on page 5.
3. Install the PIN Pad device on the PIN Pad mount and bracket assembly. For more information, refer to [Installing Castles Saturn 1000L PIN Pad on PIN Pad Mount](#) on page 7.
4. Secure the PIN Pad device and bracket assembly on the Upper Cabinet Door using four (4) wing nuts.



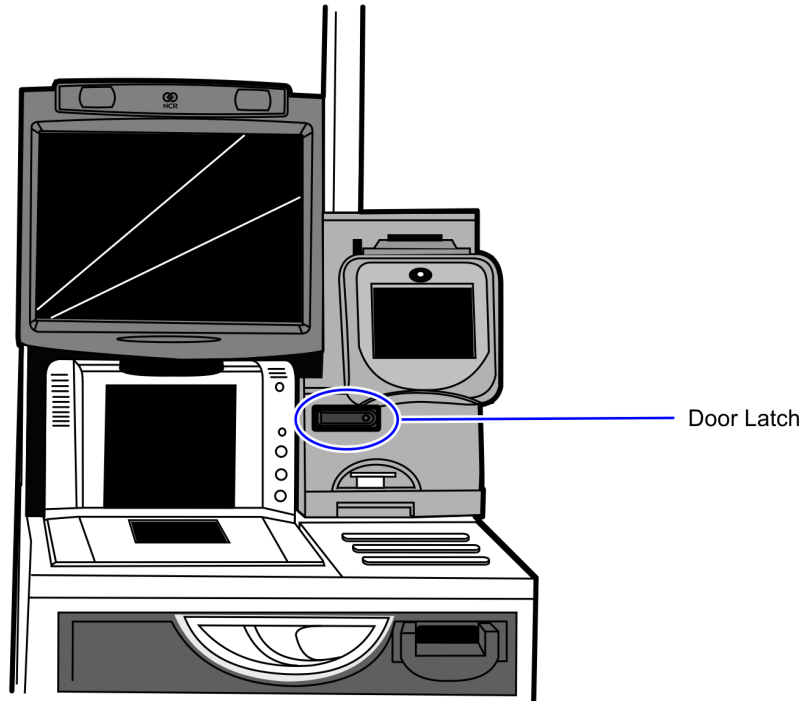
CCP-76873

5. Route the PIN Pad cables. For more information, refer to [Routing PIN Pad Cables](#) on page 10.

Opening the Upper Cabinet Door

To open the Upper Cabinet Door, follow these steps:

1. Insert key into lock on door latch and turn key counterclockwise.

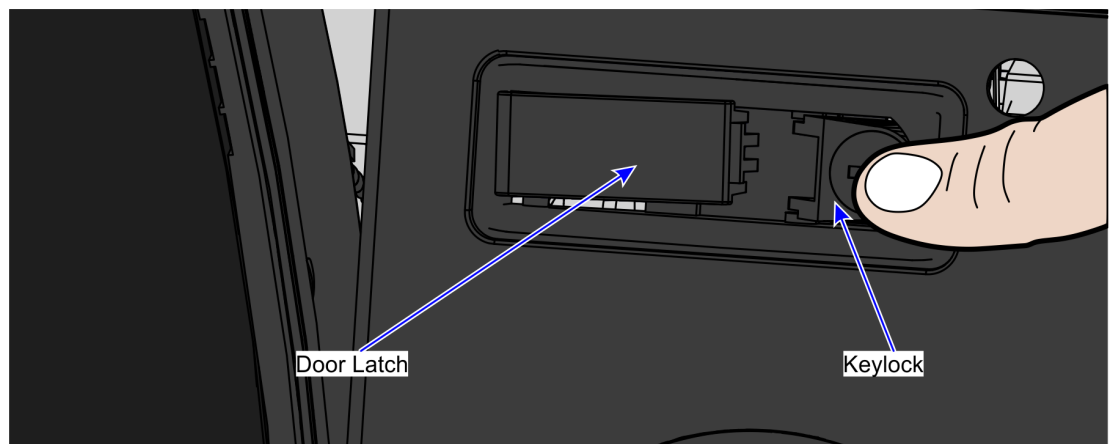


CCP-70311

2. Remove key and then press the keylock to unlatch the door.



Caution: Ensure that the door is pushed down while lock is pressed because the door will automatically open.



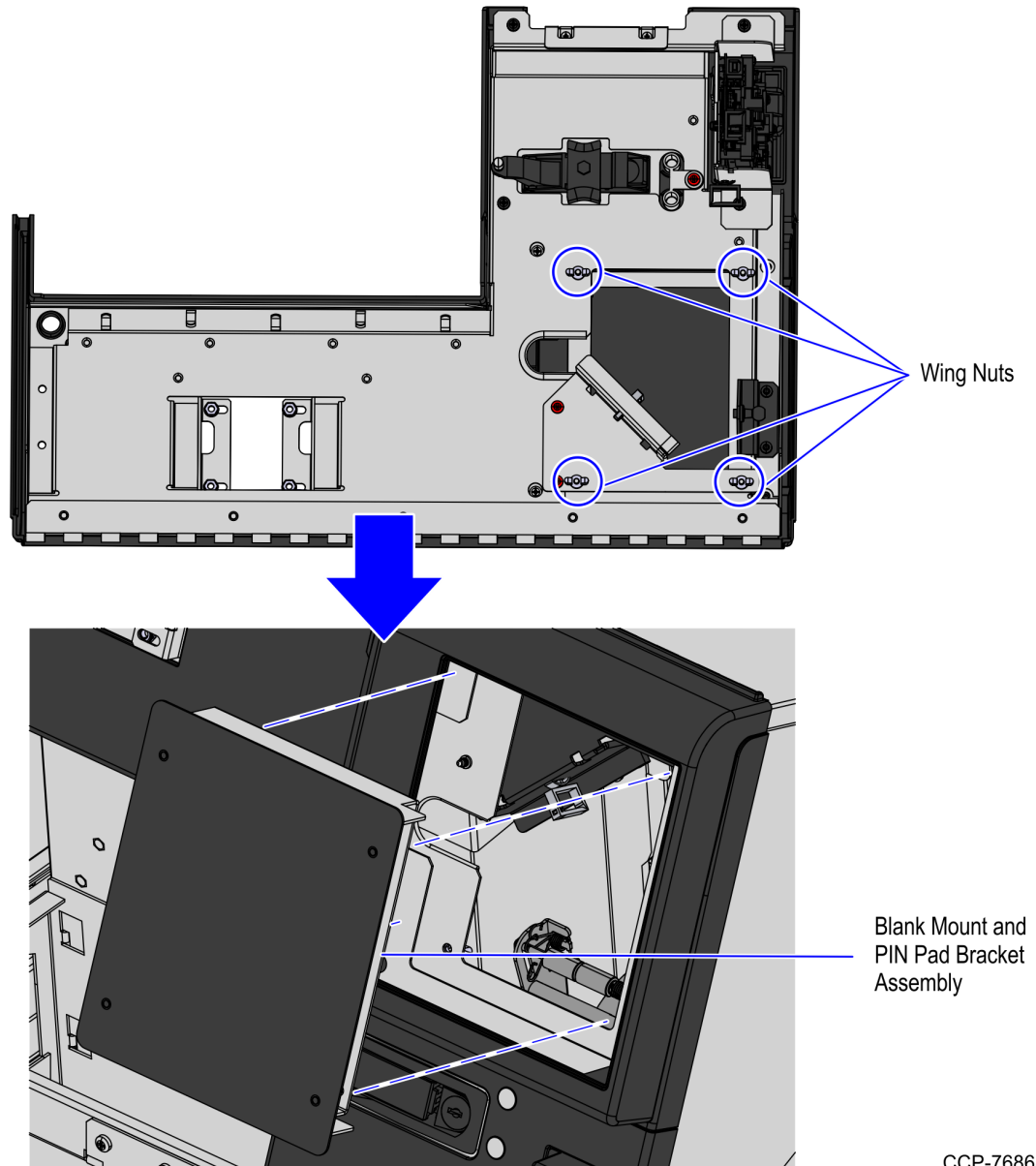
CCP-72718

3. Lift the door open.

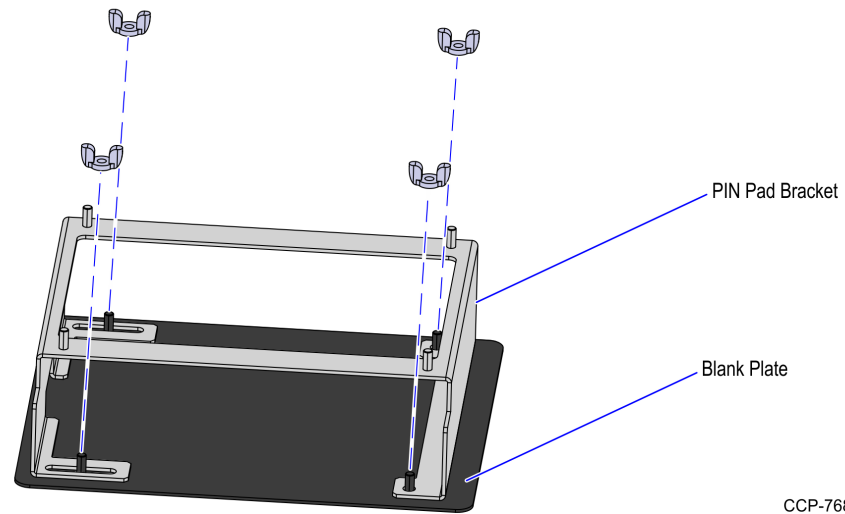
Removing PIN Pad Blanking Plate

To remove the PIN Pad Blanking Plate from the Upper Cabinet Door, follow these steps:

1. Open the Upper Cabinet Door. For more information, refer to [Opening the Upper Cabinet Door](#) on the previous page.
2. From the back of the Upper Cabinet Door, loosen four (4) wing nuts to remove the Blanking Plate and PIN Pad bracket assembly from the Upper Cabinet Door, as shown in the image below.



- Loosen four (4) wing nuts to remove the Blanking Plate from the PIN Pad bracket, as shown in the image below.



CCP-76869

Installing Castles Saturn 1000L PIN Pad on PIN Pad Mount

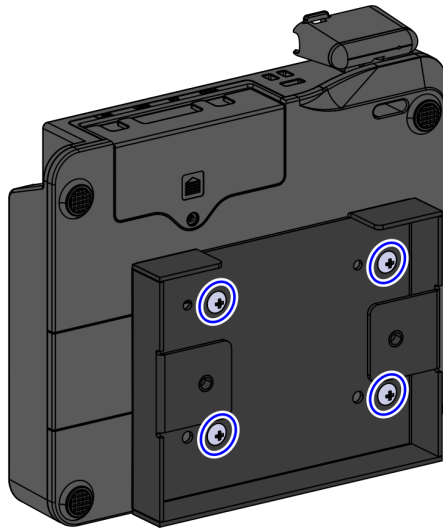
To install the Castles Saturn 1000L PIN Pad mount on the SelfServ Checkout unit, follow these steps:

1. Remove the PIN Pad Blanking Plate assembly from the SelfServ Checkout unit. For more information, refer to [Removing PIN Pad Blanking Plate](#) on page 5.
2. Attach the Spacer Bracket to the back of the Castles Saturn 1000L device using four (4) screws. Use the corresponding screw holes based on the orientation of the SelfServ Checkout unit, as shown in the images below.

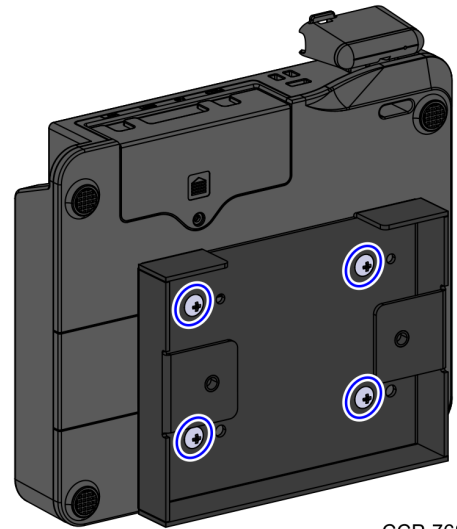


Note: The Castles Saturn 1000L device is supplied by the customer.

Right-Hand Orientation

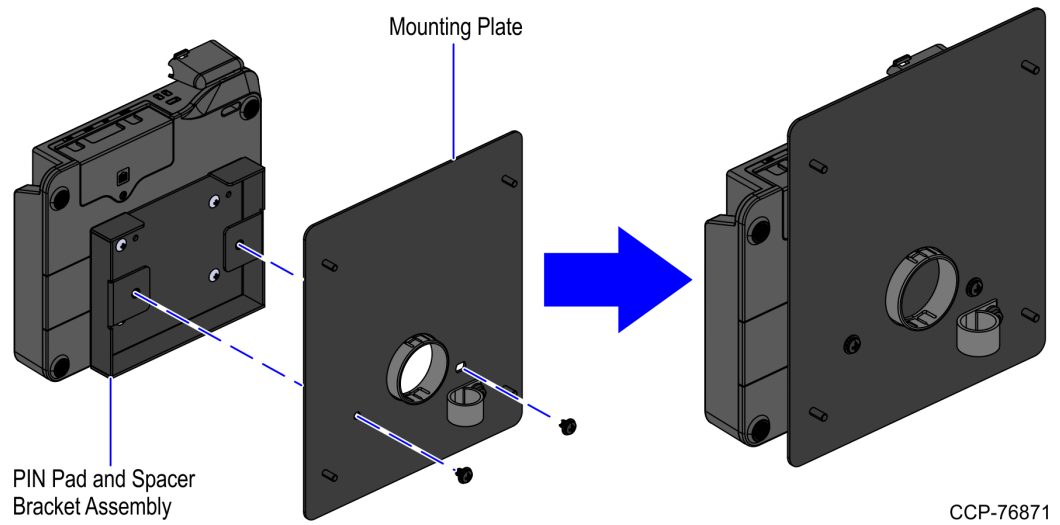


Left-Hand Orientation

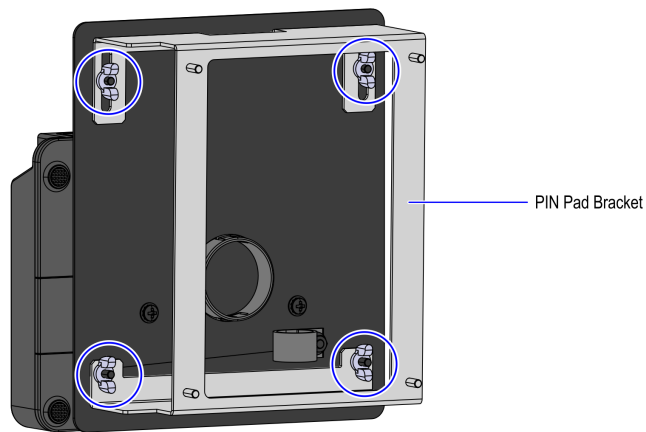


CCP-76867

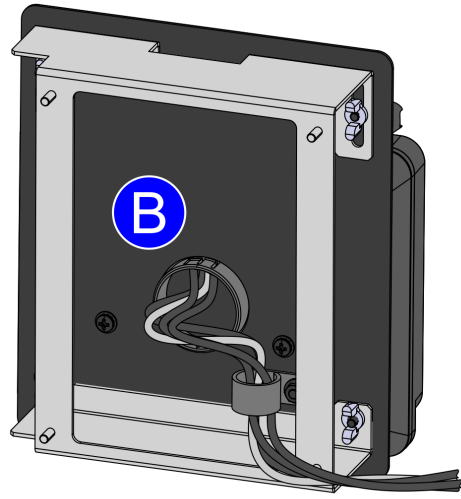
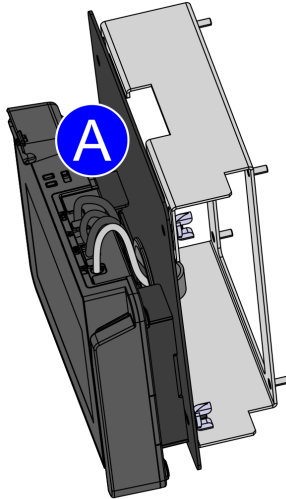
- Secure the Castles Saturn 1000L and Spacer Bracket assembly to the Mounting Plate using two (2) screws.



- Attach the PIN Pad and Mount assembly to the PIN Pad bracket using four (4) wing nuts.



5. Do the following:
 - a. Connect the PIN Pad cables to the PIN Pad device.
 - b. Route the cables to the back of the device through the Spacer Bracket and then into the Grommet hole. Ensure that the cables pass through the P-Loop as shown in the image below.

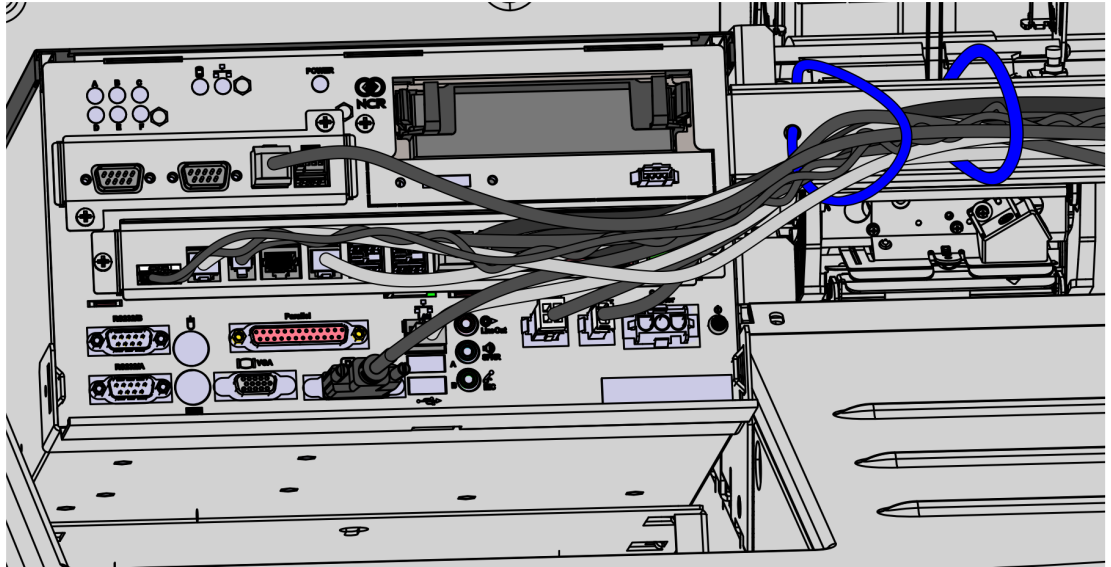


CCP-76872

Routing PIN Pad Cables

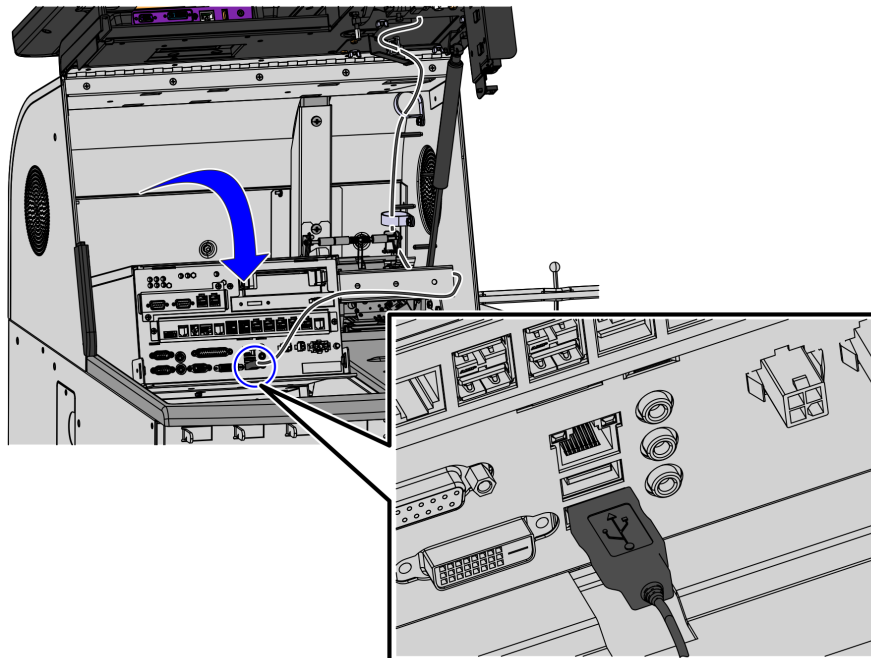
To route the PIN Pad cables, follow these steps:

1. Tilt the E-Box Bracket forward to easily access the cables and ports.



CCP-72635

2. From the back of the Upper Cabinet Door, do the following:
 - a. Route the cables going to the Core and then secure to the main cable bundle.
 - b. Connect the Data cable to the E-Box (USB A Port).

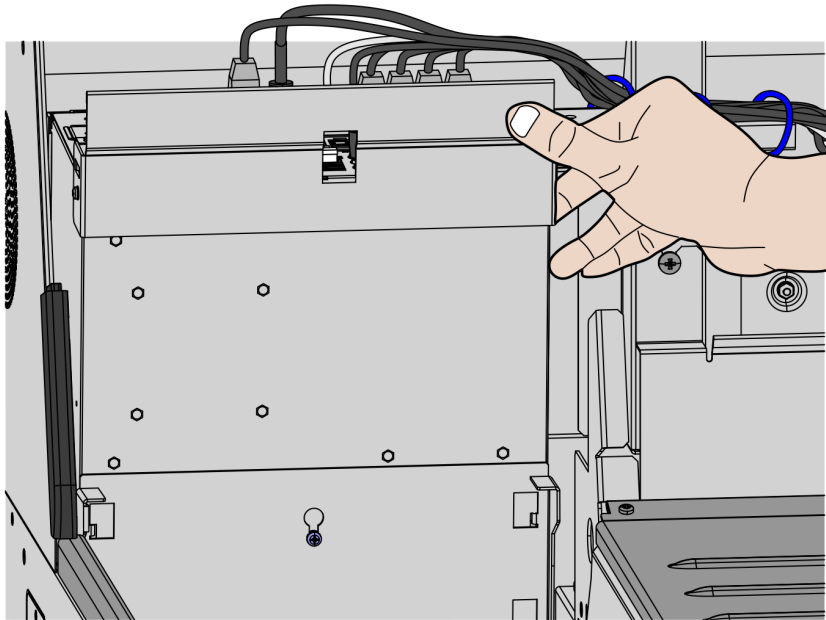


CCP-76874

3. Raise and push the E-Box back to the closed position.

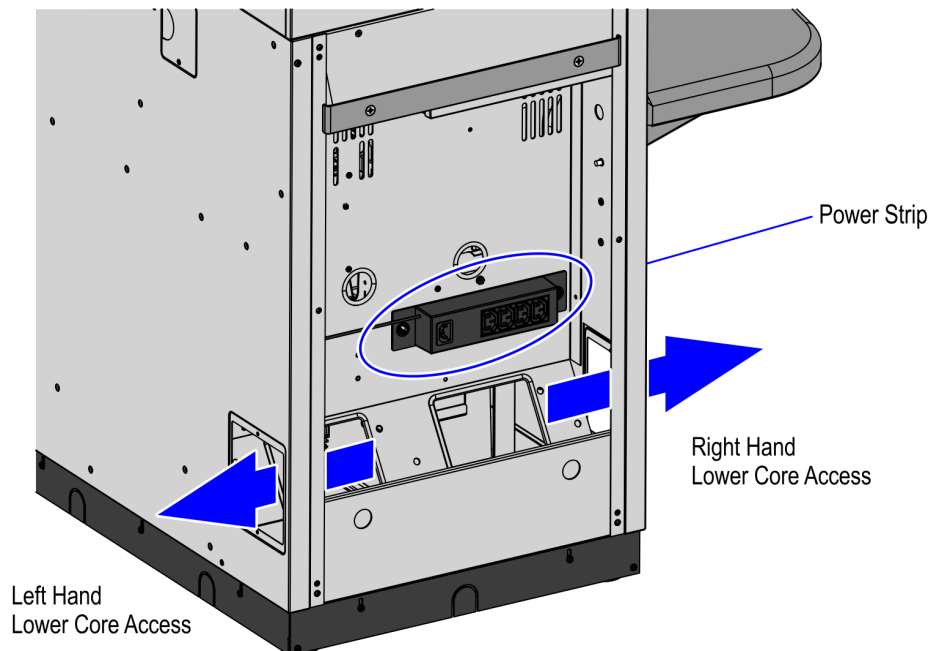


Note: Ensure that the cables are not caught by the rotation of the E-Box.



CCP-76744

4. Route the PIN Pad power cable down the back of the Receipt Printer.
5. Depending on the unit configuration, refer to the following:
 - For No-Bag units, connect the power cable to the Power Strip at the back of the Core Cabinet.
 - For units with Bagwell, route the cable through the side access cable and connect the power cable to the Power Strip inside the Bagwell.



CCP-77348