

Kit Instructions

Fastlane SSCO Pocono E-Box Upgrade

7350-K972/K973/K974
Issue A



The product described in this document is a licensed product of NCR Corporation.

NCR is a registered trademark of NCR Corporation. NCR SelfServ™ Checkout is a trademark of NCR Corporation in the United States and/or other countries. Other product names mentioned in this publication may be trademarks or registered trademarks of their respective companies and are hereby acknowledged.

The terms HDMI and HDMI High-Definition Multimedia Interface, and the HDMI Logo are trademarks or registered trademarks of HDMI Licensing LLC in the United States and other countries.

Where creation of derivative works, modifications or copies of this NCR copyrighted documentation is permitted under the terms and conditions of an agreement you have with NCR, NCR's copyright notice must be included.

It is the policy of NCR Corporation (NCR) to improve products as new technology, components, software, and firmware become available. NCR, therefore, reserves the right to change specifications without prior notice.

All features, functions, and operations described herein may not be marketed by NCR in all parts of the world. In some instances, photographs are of equipment prototypes. Therefore, before using this document, consult with your NCR representative or NCR office for information that is applicable and current.

To maintain the quality of our publications, we need your comments on the accuracy, clarity, organization, and value of this book. Please use the link below to send your comments.

EMail: FD230036@ncr.com

Copyright © 2017
By NCR Corporation
Duluth, GA U.S.A.
All Rights Reserved

Revision Record

Issue	Date	Remarks
A	Feb 2016	First issue.

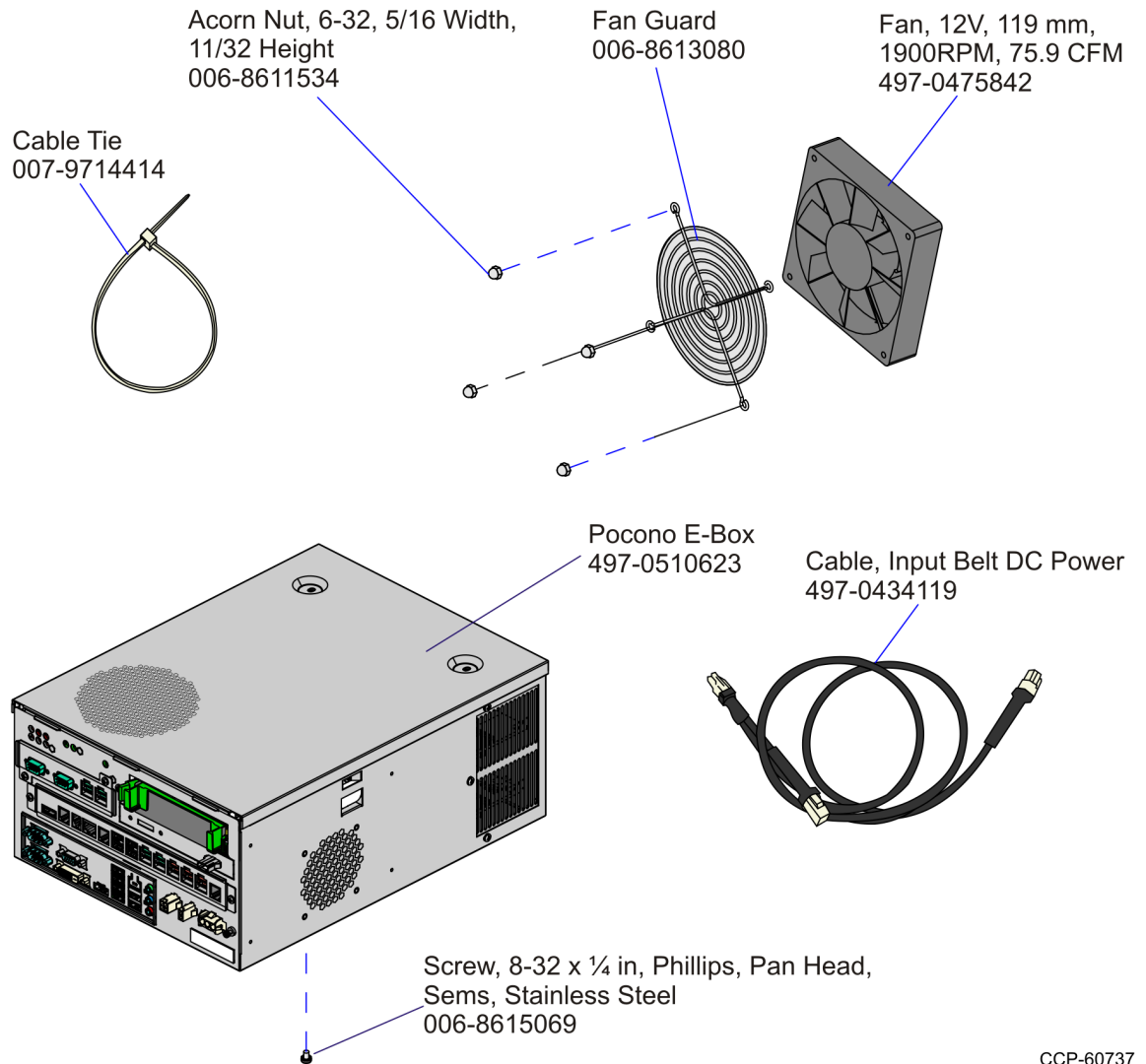
Fastlane SSCO Pocono E-Box Installation

This publication provides the following installation procedures for the NCR FastLane SSCO Pocono E-Box:

- Removing the Talladega E-Box.
- Installing the Fan.
- Routing Cables.
- Installing the Pocono E-Box.

Kit Contents

The FastLane SSCO Pocono E-Box Installation Kit contains the following:



Installation Procedures

Installing the FastLane SSCO Pocono E-Box involves the following procedures:

- [Removing the Talladega E-Box](#) on the next page.
- [Installing the Fan](#) on page 8.
- [Routing the Cables](#) on page 9.
- [Installing the Pocono E-Box](#) on page 11.

Removing the Talladega E-Box

Removing the Talladega E-Box involves the following procedures:

1. [Accessing the E-Box](#) below.
2. [Removing the E-Box](#) on page 6.



Warning: Disconnect the AC power cord before disassembling the FastLane SSCO.

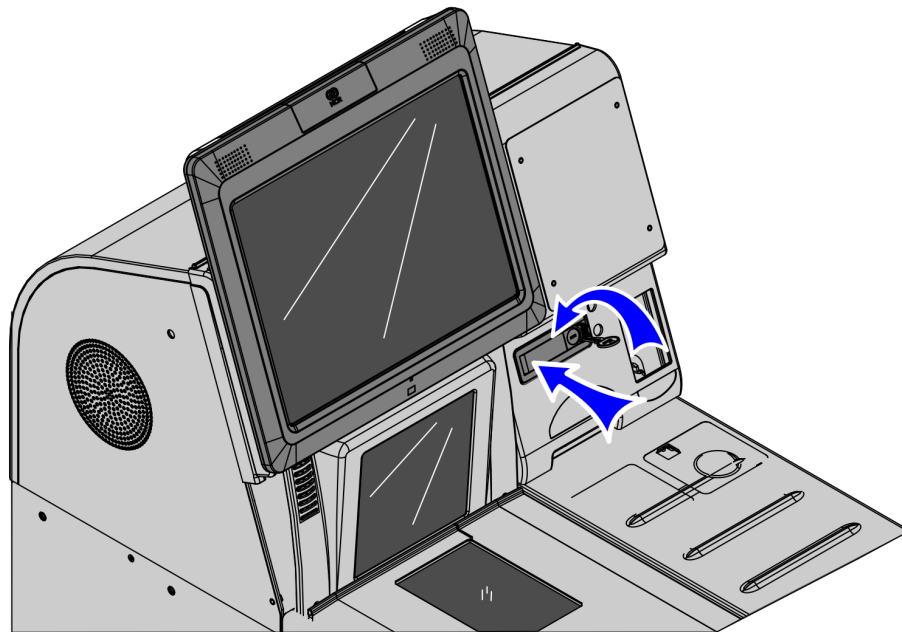


Caution: Static Electricity Discharge may permanently damage your system. Discharge any static electricity build up in your body by touching your computer's case for a few seconds. Avoid any contact with internal parts and handle cards only by their external edges.

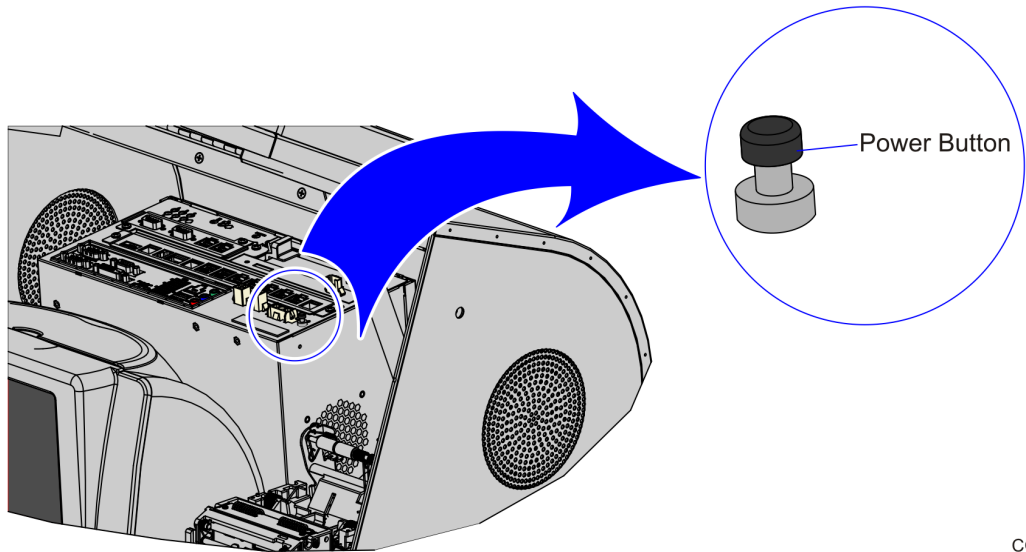
Accessing the E-Box

To access the E-Box, follow these steps:

1. Open the Core Hood Cover by twisting the lock counterclockwise and pressing the Door Latch. The cover automatically rises.

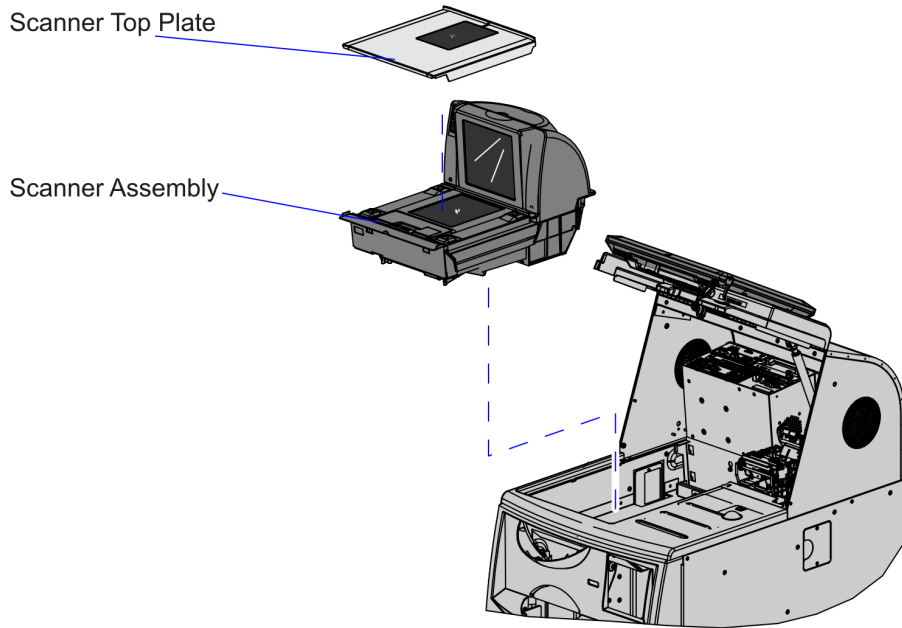


2. Shut down the E-Box.



CCP60739

3. Remove the Scanner Top Plate.
4. Remove the Scanner Assembly.



CCP60741

5. Tilt the E-Box and then, disconnect all the cables that are attached to the E-Box.

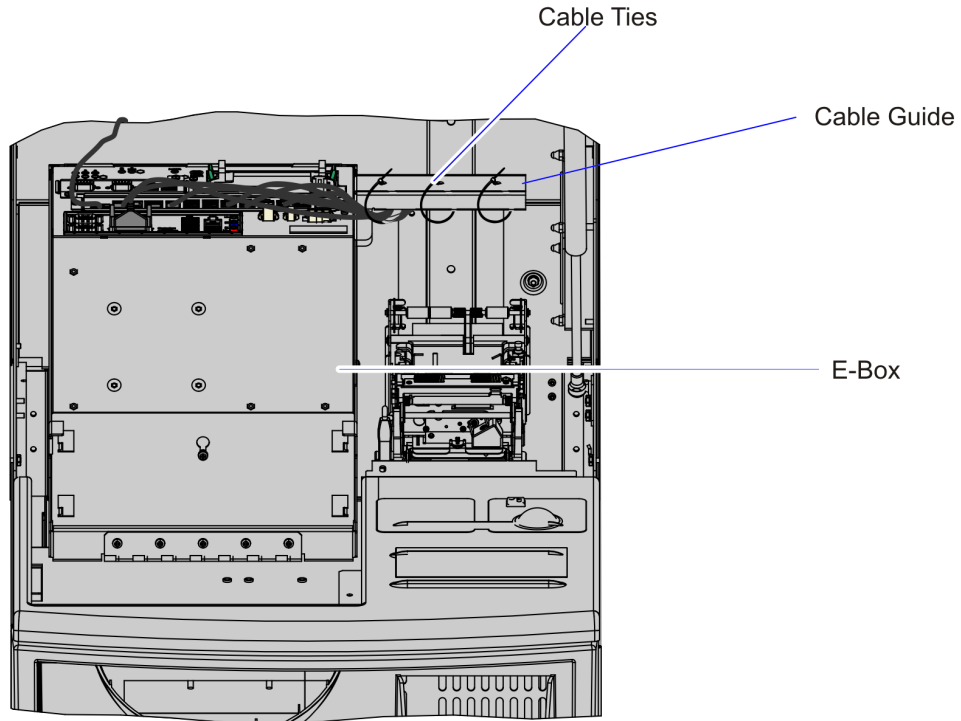


Note: Take note of the connector placements before removing.

Removing the E-Box

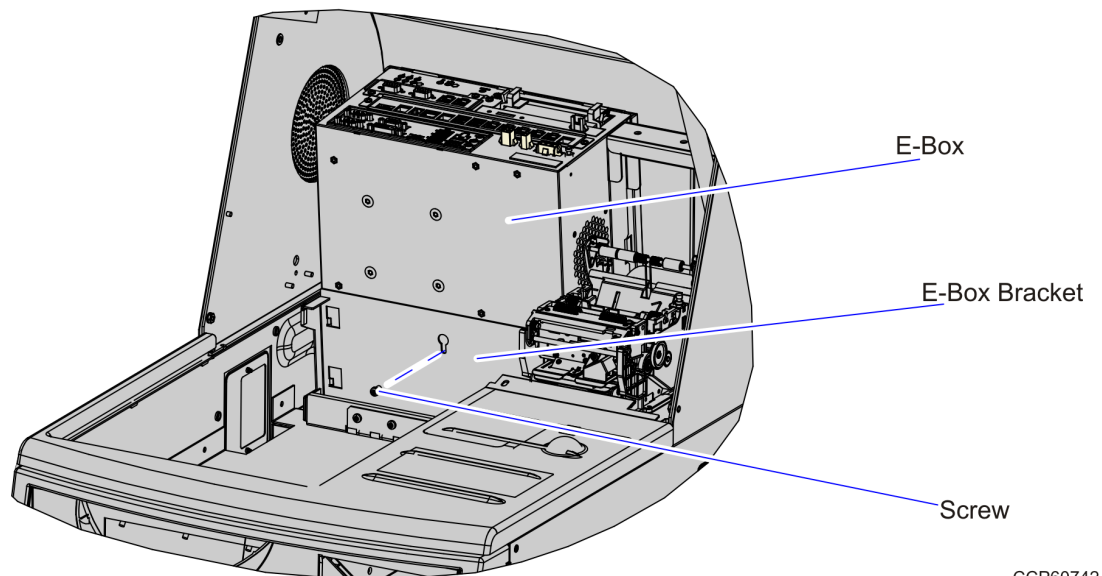
To remove the E-Box, follow these steps:

1. Cut all cable ties that binds the cables to the Cable Guide.



CCP60740

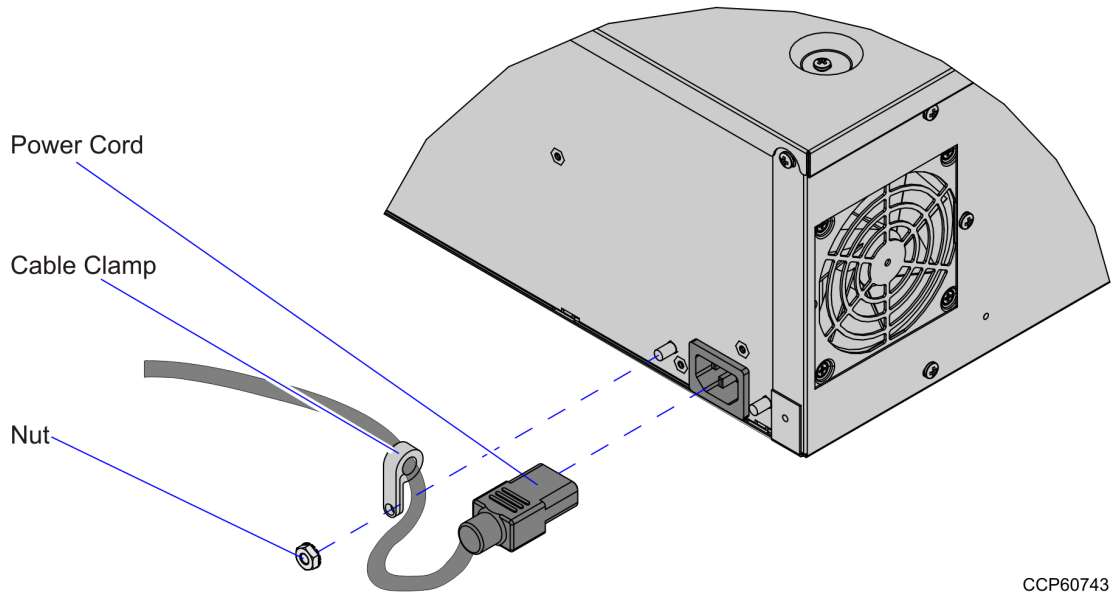
2. Remove the screw (1) that is securing the E-Box Bracket.



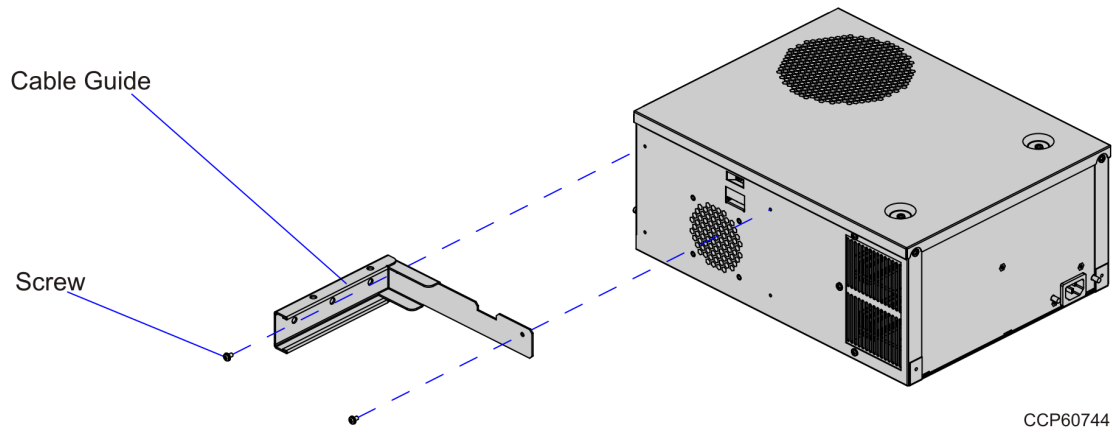
CCP60742

3. Remove the E-Box with the Cable Guide still attached.

4. Remove the nut and Cable Clamp that are securing the Power Cord.



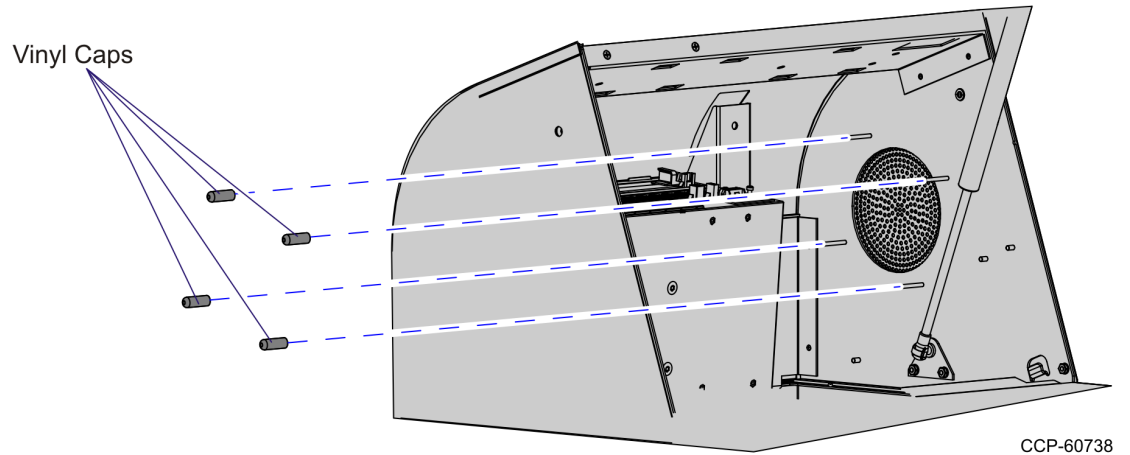
5. Disconnect the Power Cord.
6. Remove the screws (2) that are securing the Cable Guide to the E-Box.



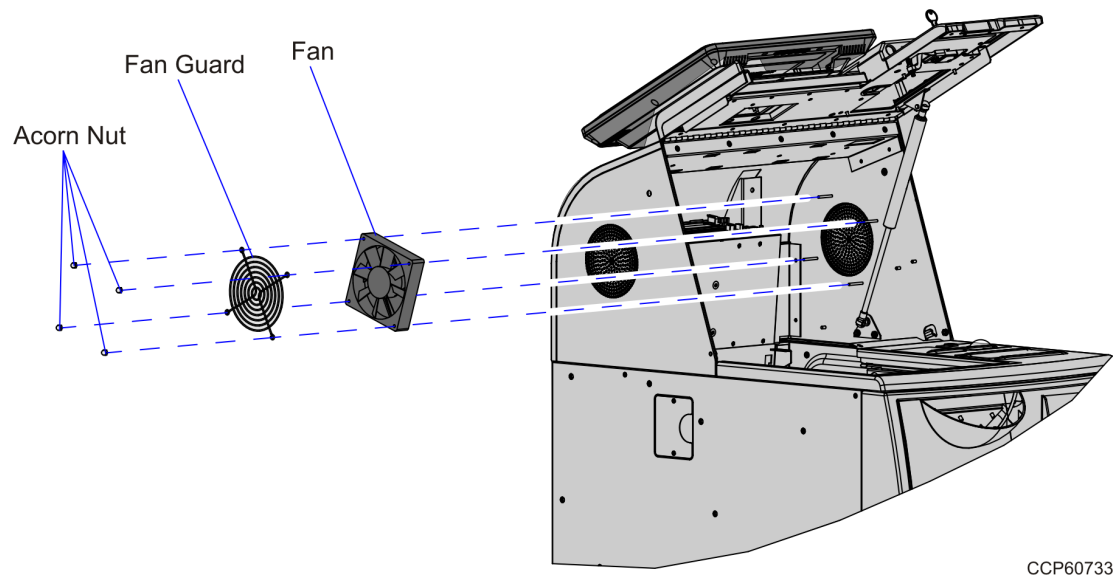
Installing the Fan

To install the fan, follow these steps:

1. Remove the Vinyl Caps (4) from the pem stud of the Core Hood Assembly.



2. Install the Fan and Fan Guard. Ensure that the direction of arrow on the Fan points outside.

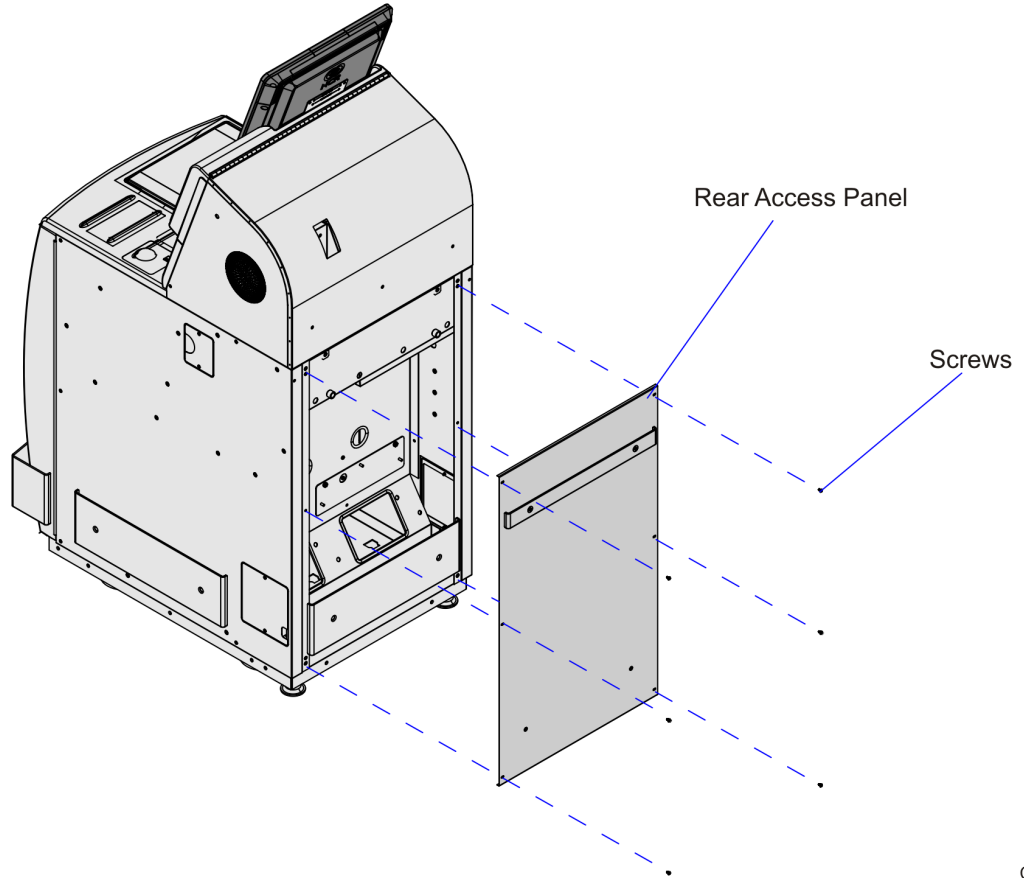


3. Secure the Fan Assembly using Acorn Nuts (4).
4. Connect the Fan Cable to the Input Belt DC Power Cable. Make sure that it latches to the connector.

Routing the Cables

The excess cable length must be routed and bundled properly. To route cables, follow these steps:

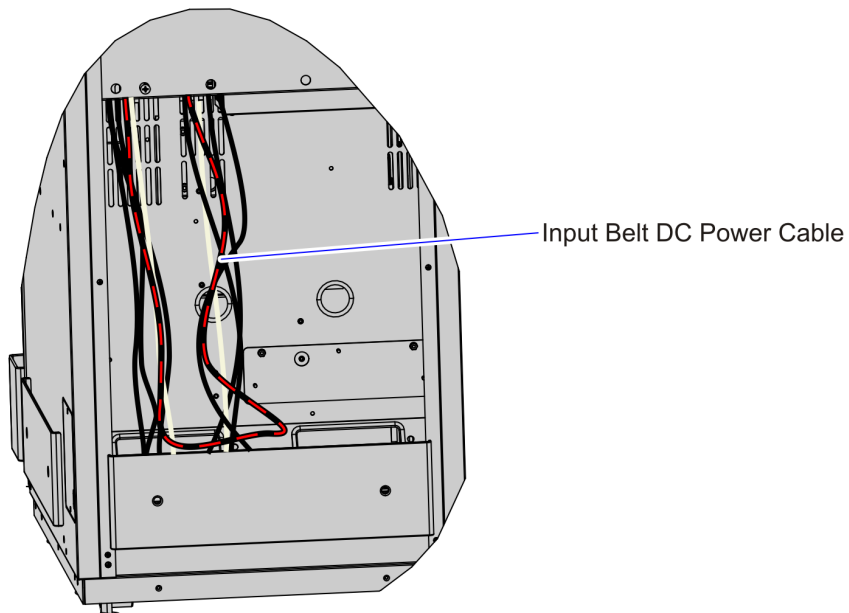
1. Remove the screws (6) of the Rear Access Panel.



CCP60736

2. Locate the existing bundle of cables.
3. Cut the cable ties that bind the cables.

4. Route the Input Belt DC Power as shown in the following illustration.



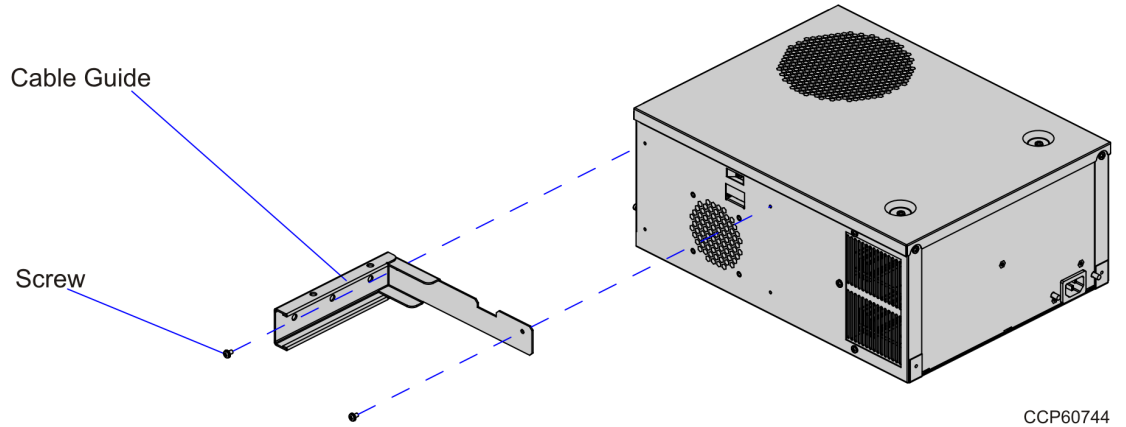
CCP60734

5. Group the Input Belt DC Power cable to the existing bundle and secure with cable ties.
6. Secure the Rear Access Panel back to the Core with screws (6).

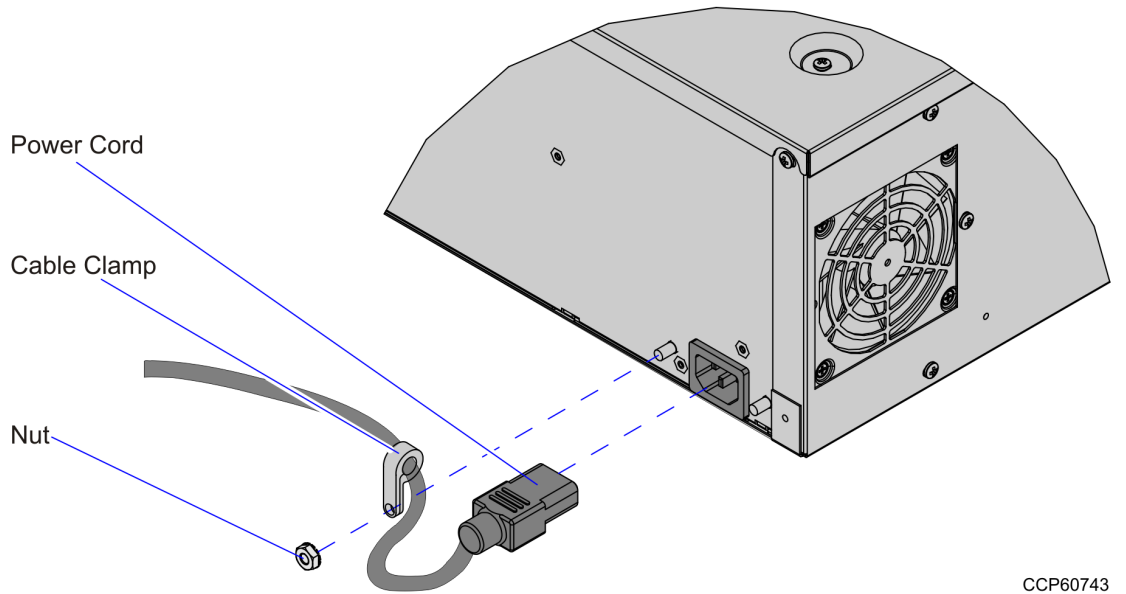
Installing the Pocono E-Box

To install the Pocono E-Box, follow these steps:

1. Install the Cable Guide Bracket to the new E-Box with screws (2).

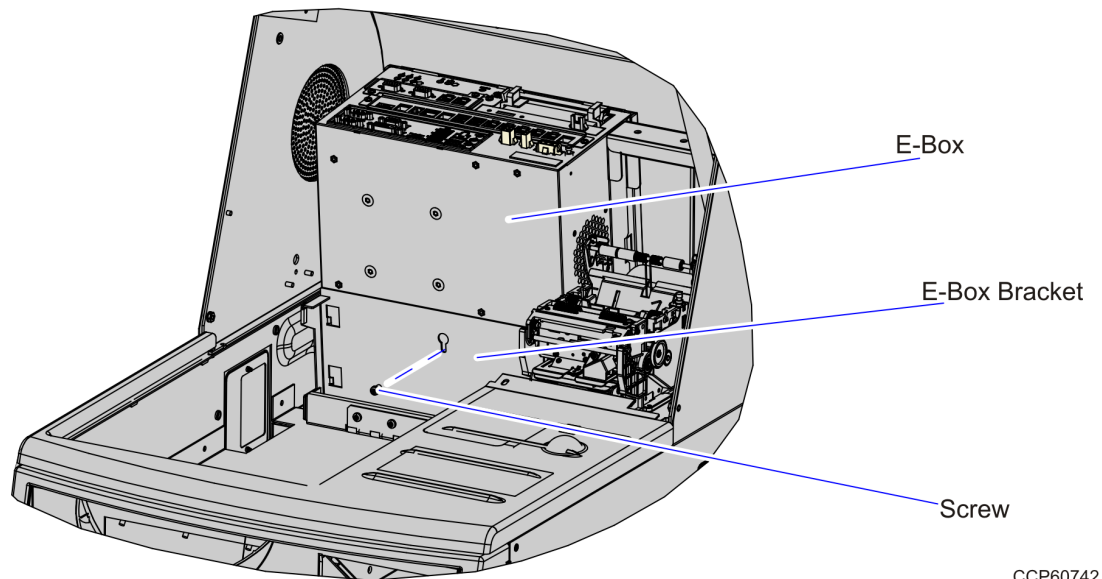


2. Plug the Power Cord and secure it with a Cable Clamp and nut.



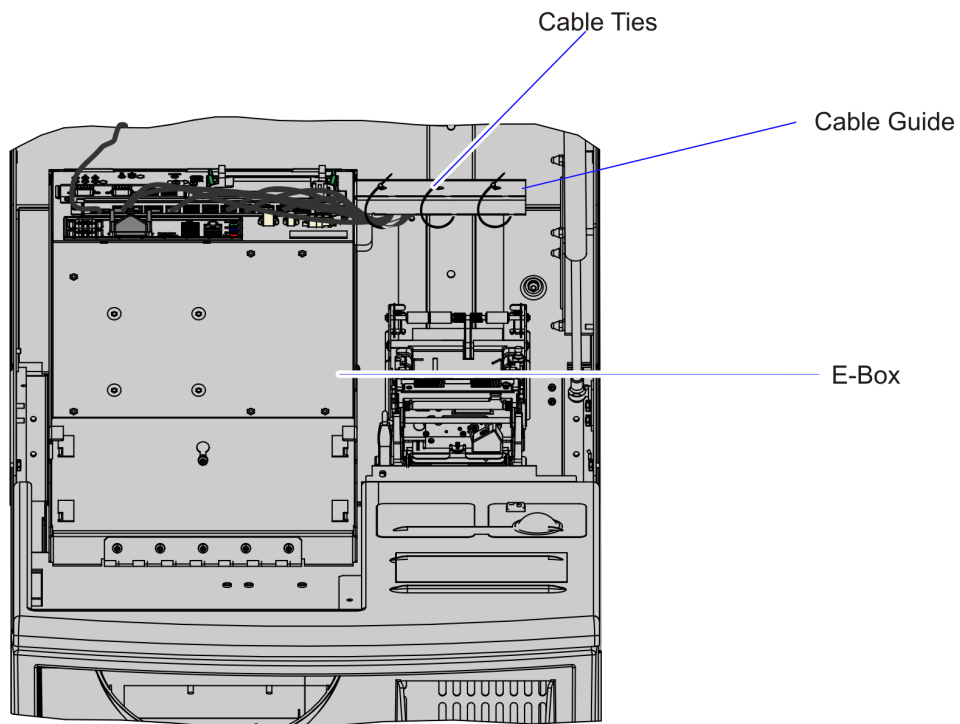
3. Slide the new E-Box to the slot on the Core.

4. Install the E-Box Bracket to the E-Box.



CCP60742

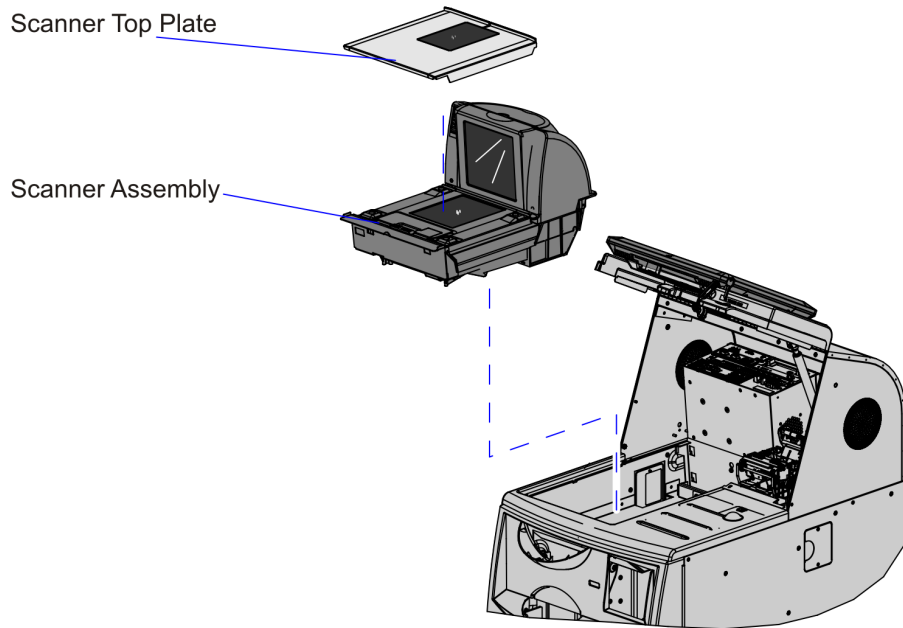
5. Connect the Input DC Power Cable to Input Belt / Fan connector.
6. Connect all other cables that were disconnected.
7. Bundle the cables and secure them with cable ties to the Cable Guide.



CCP60740

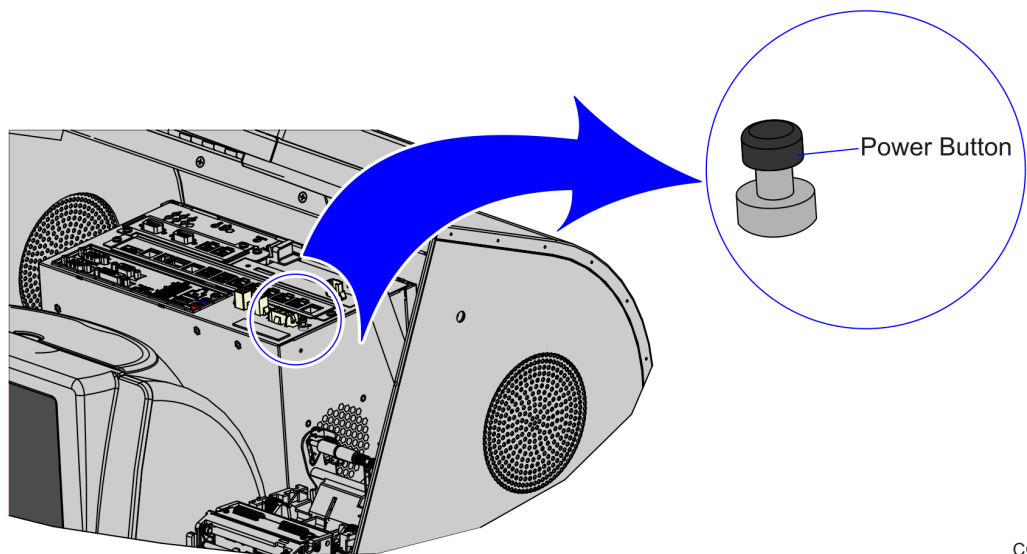
8. Position the E-Box to its working position.

9. Re-insert the Scanner Assembly.



CCP60741

10. Re-insert the Scanner Top Plate.
11. Make sure that the cables are connected to their designated connectors.
12. Power on the E-Box.



CCP60739

13. Close the Core Hood Cover.