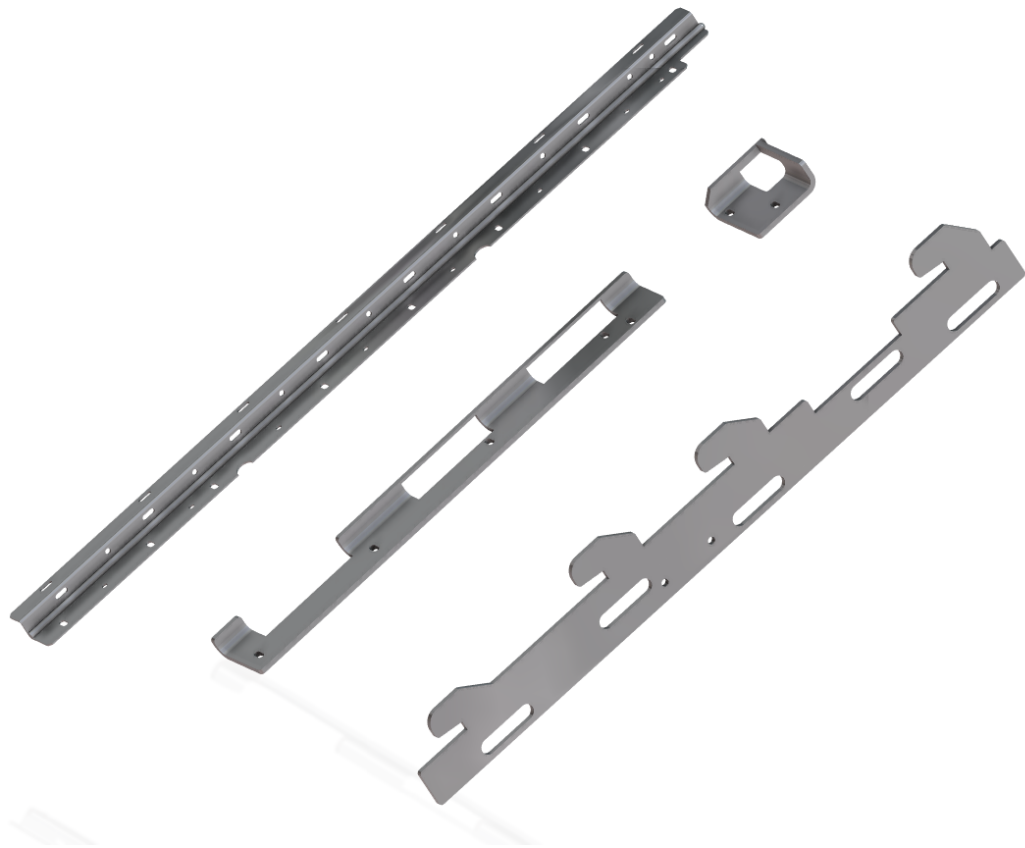


Kit Instructions

Security Upgrade (Coles Australia)



7350-K954
Issue B



The product described in this document is a licensed product of NCR Corporation.

NCR is a registered trademark of NCR Corporation. NCR SelfServ™ Checkout is a trademark of NCR Corporation in the United States and/or other countries. Other product names mentioned in this publication may be trademarks or registered trademarks of their respective companies and are hereby acknowledged.

The terms HDMI and HDMI High-Definition Multimedia Interface, and the HDMI Logo are trademarks or registered trademarks of HDMI Licensing LLC in the United States and other countries.

Where creation of derivative works, modifications or copies of this NCR copyrighted documentation is permitted under the terms and conditions of an agreement you have with NCR, NCR's copyright notice must be included.

It is the policy of NCR Corporation (NCR) to improve products as new technology, components, software, and firmware become available. NCR, therefore, reserves the right to change specifications without prior notice.

All features, functions, and operations described herein may not be marketed by NCR in all parts of the world. In some instances, photographs are of equipment prototypes. Software screen images are representative, and in some cases, may not match a customer's installed software exactly. Therefore, before using this document, consult with your NCR representative or NCR office for information that is applicable and current.

To maintain the quality of our publications, we need your comments on the accuracy, clarity, organization, and value of this book. Please use the link below to send your comments.

Email: FD230036@ncr.com

Copyright © 2020
By NCR Corporation
Global Headquarters
864 Spring St. NW
Atlanta, GA 30308
United States
All Rights Reserved

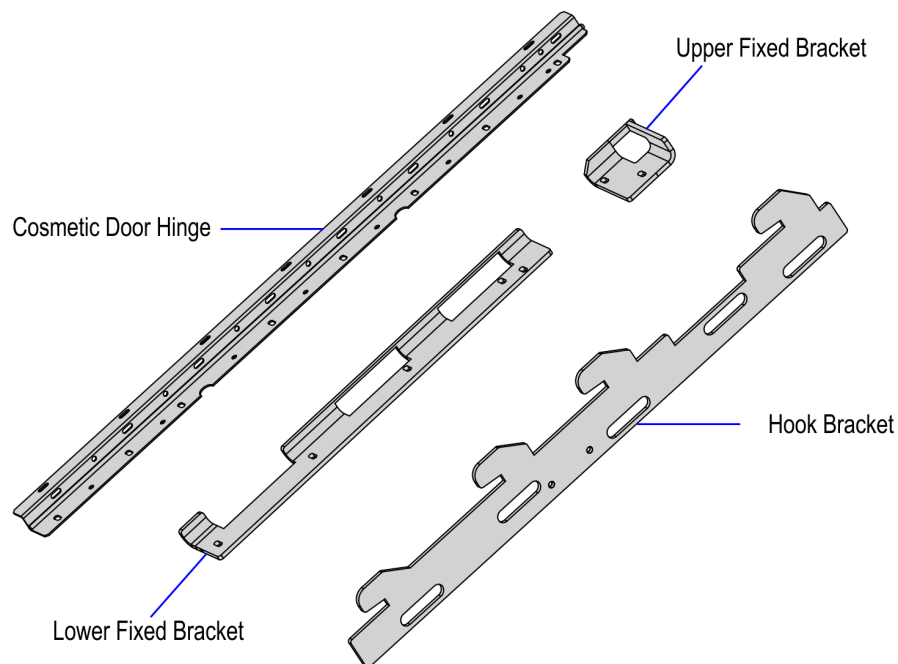
Revision Record

Issue	Date	Remarks
A	Oct 2013	First Issue
B	Aug 2019	Added to IP Kit Repository site with HTML version.

Security Upgrade (Coles Australia)

This publication provides procedures for installing a Security Upgrade Kit in an NCR SelfServ™ Checkout (7350) unit.

Kit Contents



CCP-77219

Part Number	Description
497-0502072	7350-K954 Coles Australia Security Upgrade
497-0478303	Hook Bracket (Sliding Tooth Cam)
497-0478304	Lower Fixed Bracket (Plate - Door Lock Shark)
497-0478306	Upper Fixed Bracket (Plate - Door Lock Small)
497-0479341	Core Door Hinge
* 006-8622984	Screw - 8-32 x 3/8 in, Type 316 SS Truss Head Phillips Machine (23 pcs)
* 006-8622983	18-8 SS BLind Rivet with 18-8 SS Mandrel, Domed, 3/16 in Diameter (16 pcs)
* 497-0423108	Instruction - Kit (Reference Sheet)

* Items marked with an asterisk are not called out on the image.

Installation Procedures

To install the Security Upgrade Kit in an NCR SelfServ™ Checkout (7350) unit, follow these steps:

1. Turn off the NCR SelfServ Checkout software and hardware systems.
2. Remove the following components:

#	Component	Related Task/Information
a.	Lower Bumper	Removing Lower Bumper on page 7.
b.	Bulk Coin Recycler (BCR)	For more information, refer to <i>NCR SelfServ™ Checkout (7350) Hardware Service Guide (B005-0000-1827)</i> .
c.	Note Acceptor Cashbox	
d.	Note Acceptor Module	
e.	Note Acceptor Chassis	
f.	Note Dispenser	
g.	Uninterruptible Power Supply (UPS)	
h.	Core Door Hinge	
i.	Upper and Lower Fixed Bracket	Removing Upper and Lower Fixed Brackets on page 11.
j.	Hook Bracket	Removing Hook Bracket on page 10.

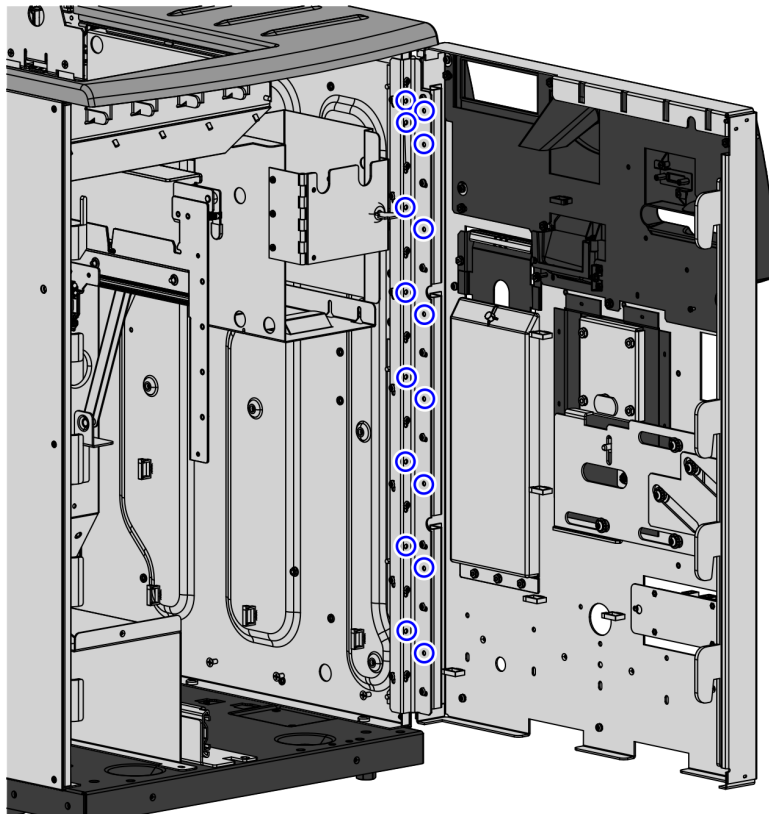
3. Install the following components:

Component	Related Task/Information
Core Door Hinge	Installing Core Door Hinge on page 12.
Upper and Lower Fixed Bracket	Installing Upper and Lower Fixed Brackets on page 14.
Hook Bracket	Installing Hook Bracket on page 16.



Note: Ensure that the Core Door closes smoothly and that its locking action works well before proceeding to the next step.

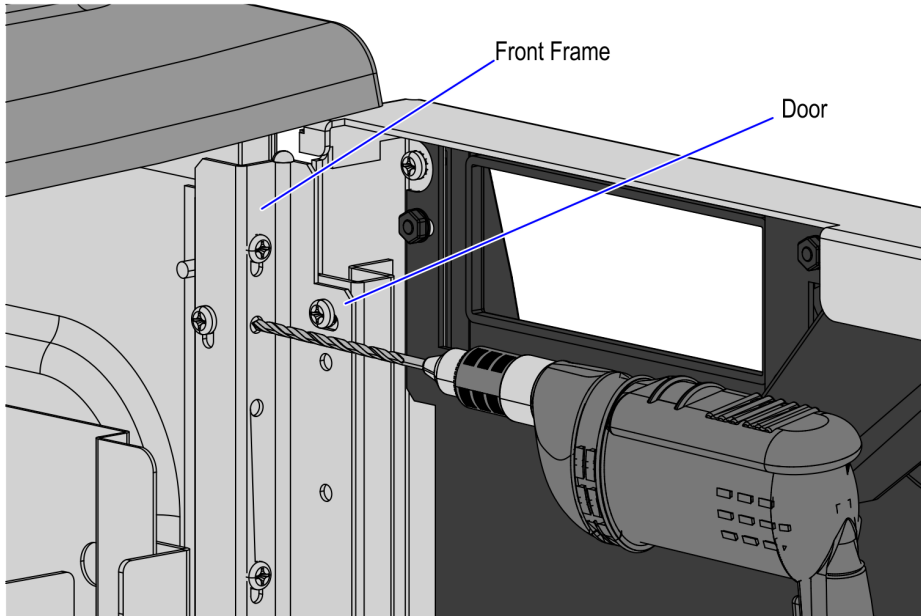
4. Remove the currency devices and Uninterruptible Power Supply (UPS) that were temporarily installed during the installation of the Core Door Hinge and Fixed Brackets.
5. Locate the sixteen (16) screw slots on the front frame and door surface for the new hinge.



6. Drill into the sixteen (16) holes using a #10 (0.1935 in) or 4.90 mm drill bit.



Note: The diameter of the drilled holes should be between 0.192 in—0.196 in.

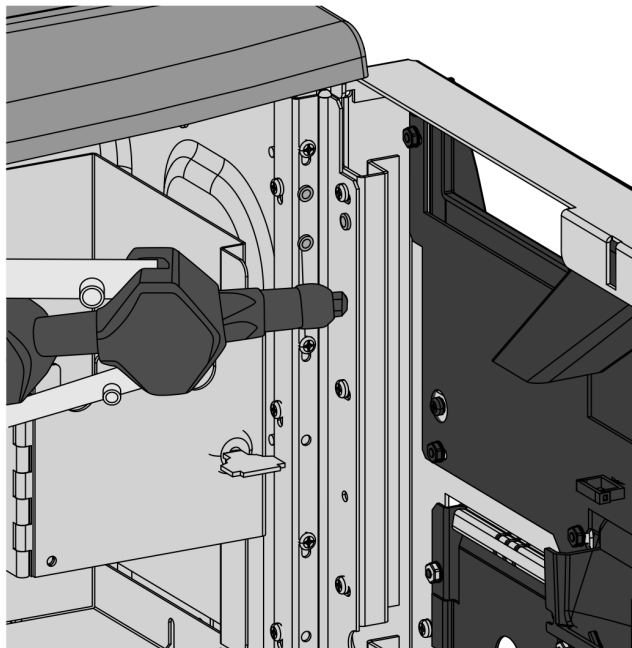


CCP-77232

7. Install the sixteen (16) 3/16 in Stainless Steel rivets into the newly drilled holes.



Note: Ensure to use a Riveting Tool that is rated for installing 3/16 in-sized Stainless Steel rivets.



CCP-77233

8. Install the following components:

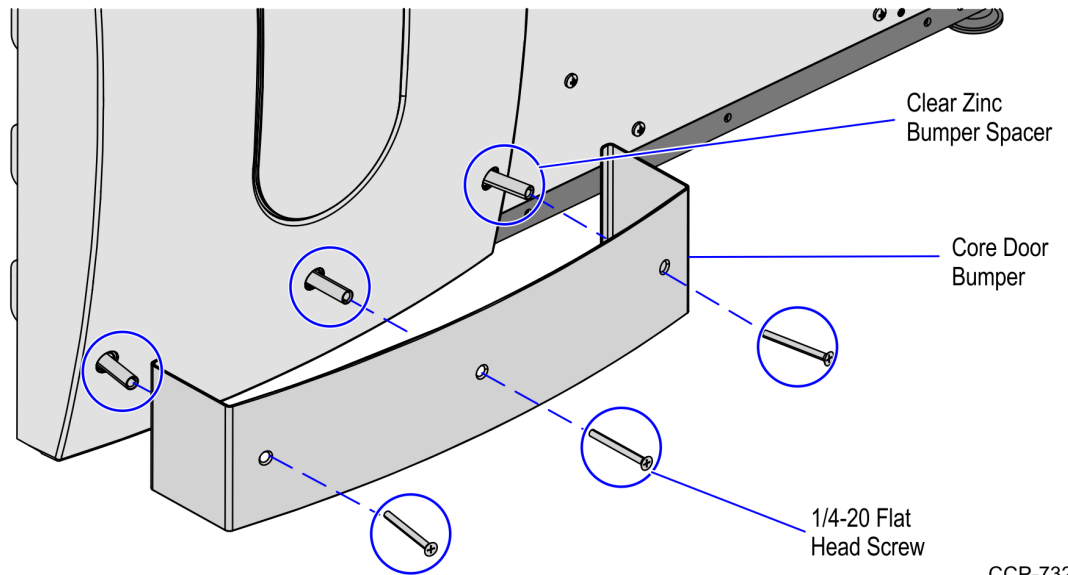
#	Component	Related Task/Information
a.	Bulk Coin Recycler (BCR)	For more information, refer to <i>NCR SelfServ™ Checkout (7350) Hardware Service Guide (B005-0000-1827)</i> .
b.	Note Acceptor Cashbox	
c.	Note Acceptor Module	
d.	Note Acceptor Chassis	
e.	Note Dispenser	
f.	Uninterruptible Power Supply (UPS)	
g.	Lower Bumper	For more information, refer to <i>7350-K600/K601/K602 Lower Bumper Kit Instructions</i> .

9. Clean the station to remove metal shavings from drilling.

Removing Lower Bumper

To remove the lower bumper from the Core Door, follow these steps:

1. Remove the three (3) $\frac{1}{4}$ – 20 flat head screws securing the bumper to the corresponding bumper spacers, as shown in the image below.



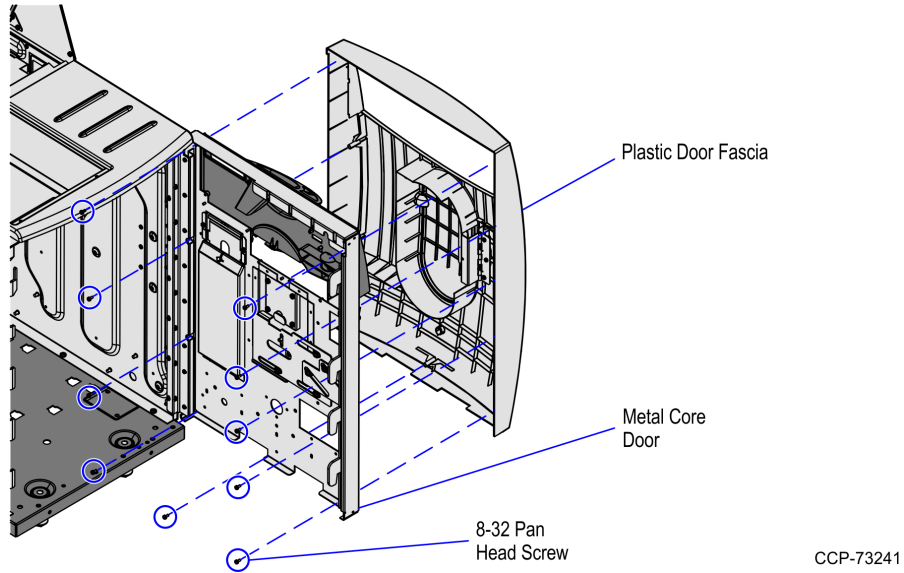
CCP-73245

2. Remove the three (3) clear zinc bumper spacers from the holes on the plastic door fascia.

Removing Existing Core Door Hinge

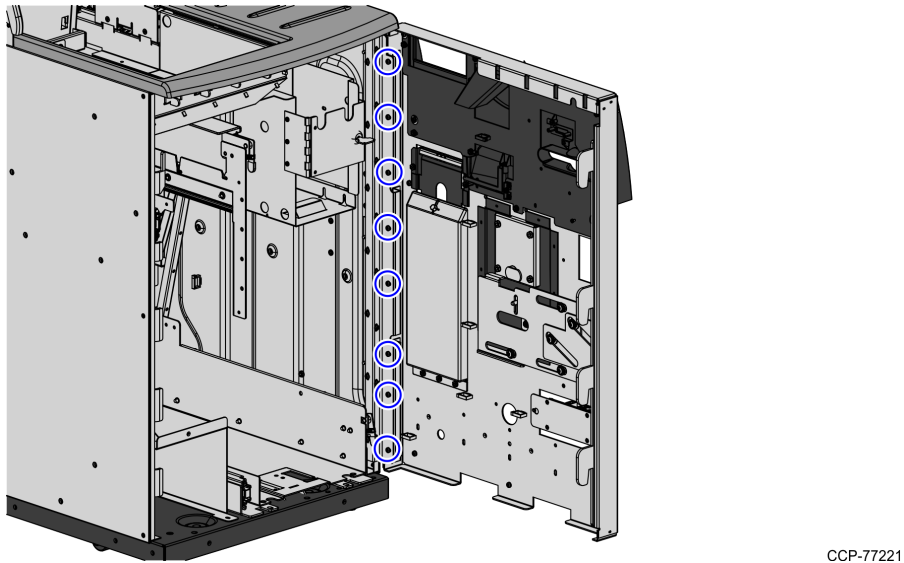
To remove the existing Core Door Hinge, follow these steps:

1. Uninstall the plastic door fascia from the metal core door by removing ten (10) 8-32 pan head screws.

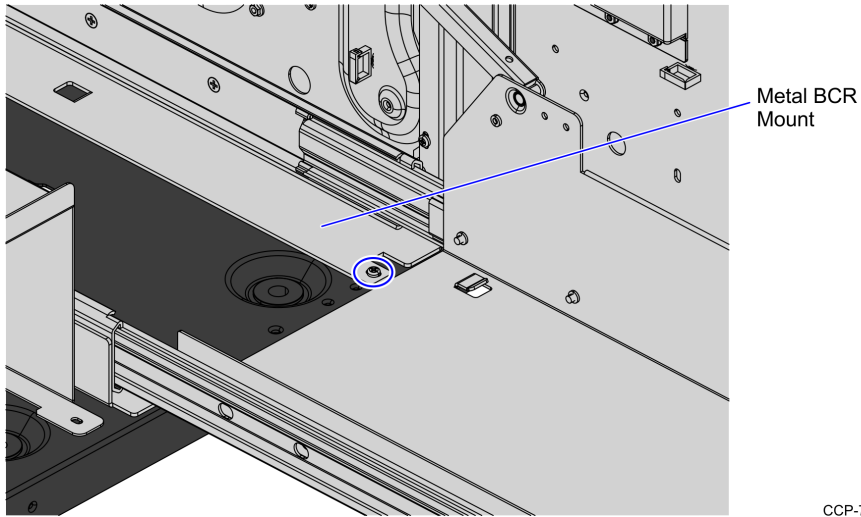


2. Remove the eight (8) screws securing the Core Door to the rotating section of the existing hinge.

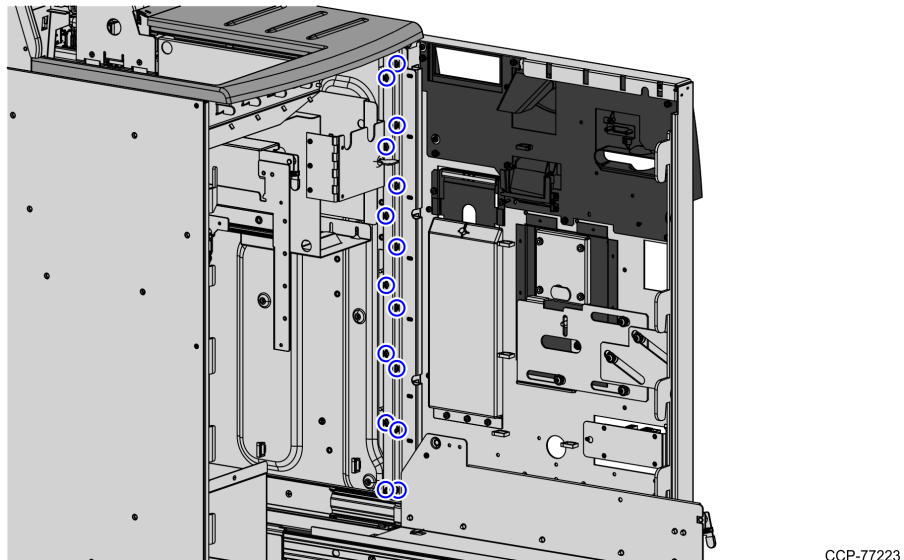
⚠ Caution: The Core Door is heavy. Set the Core Door down with caution, with the cables still attached.



3. On the right side of the BCR shelf, remove the screw securing the metal BCR mount to the cabinet floor.



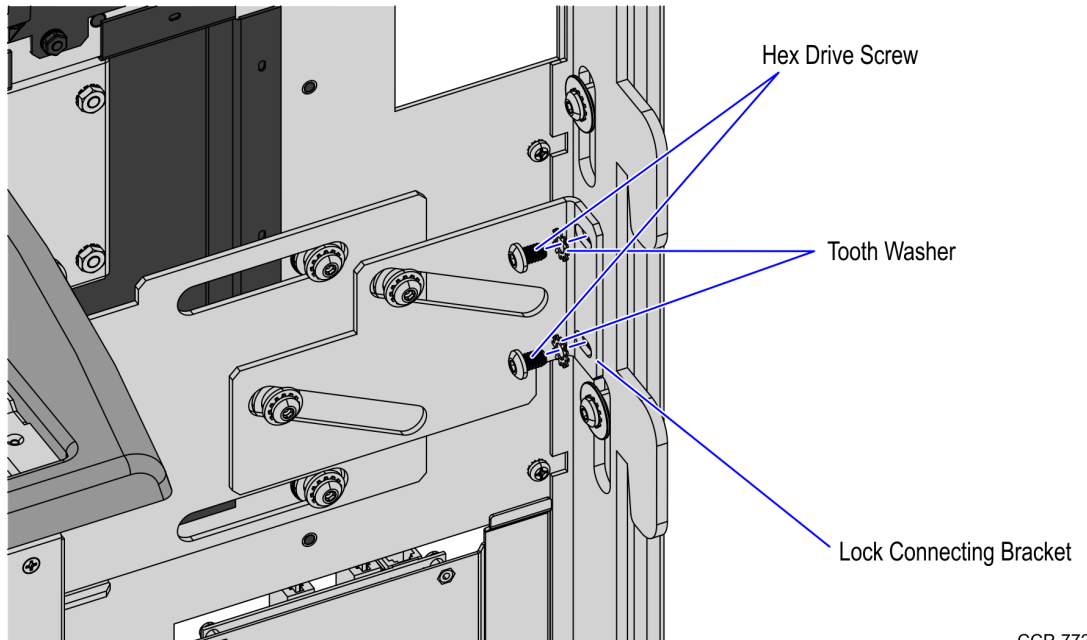
4. Unhook and slide the bracket out of the Core Cabinet.
5. Remove the 15 screws securing the existing hinge to the Core Cabinet frame.



Removing Hook Bracket

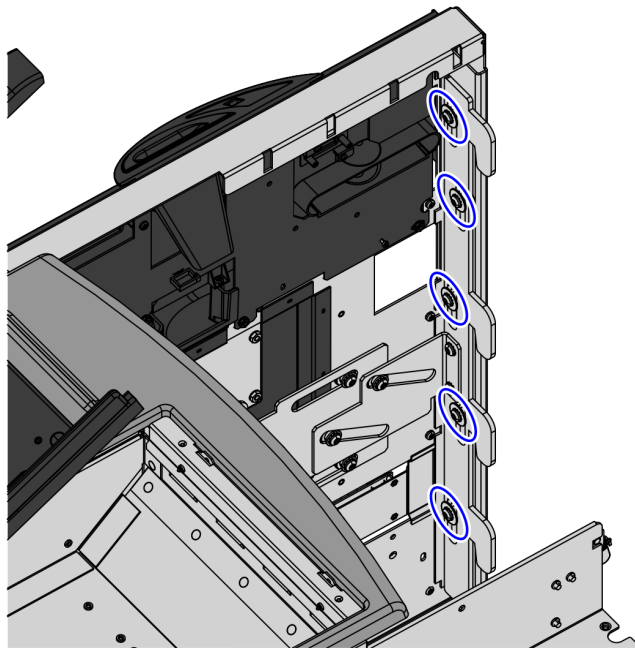
To remove the existing hook bracket from the Core Door, follow these steps:

1. Remove the two (2) sets of hex drive screws and tooth washers securing the hook bracket to the lock connecting bracket.



CCP-77226

2. Remove the five (5) sets of hex drive screws, tooth washers and flat washers that secure the hook bracket to the Core Door.

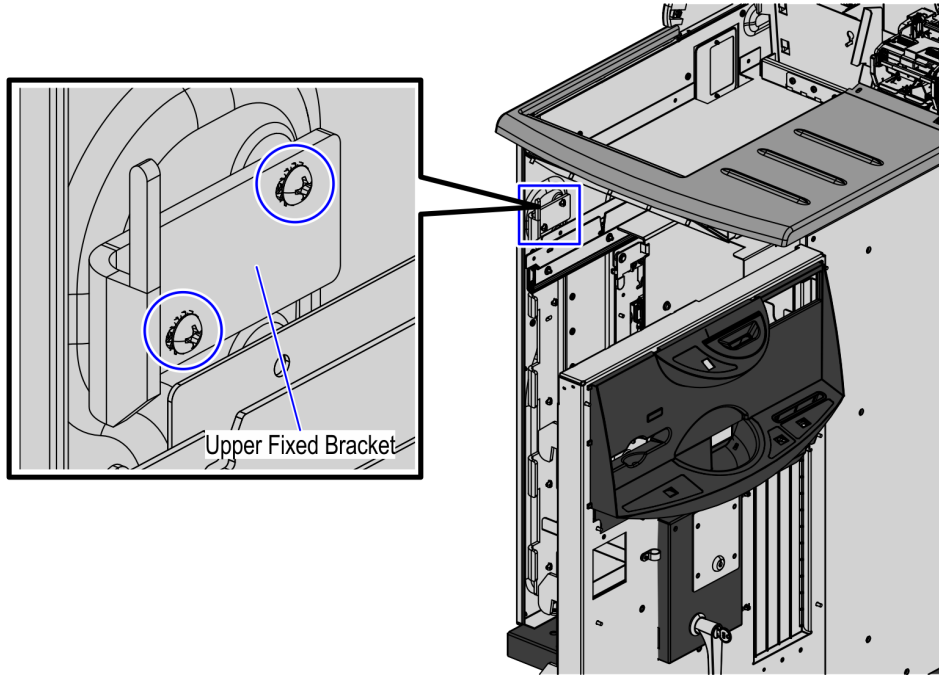


CCP-77225

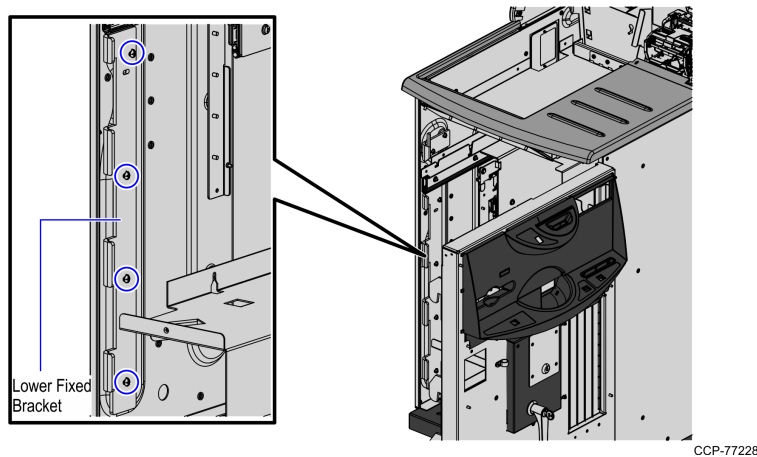
Removing Upper and Lower Fixed Brackets

To remove the existing fixed brackets, follow these steps:

1. Remove the two (2) screws securing the upper fixed bracket to the Core Cabinet inner frame, as shown in the image below.



2. Remove the four (4) screws securing the lower fixed bracket to the Core Cabinet inner frame, as shown in the image below.



To install new fixed brackets, refer to [Installing Upper and Lower Fixed Brackets](#) on page 14.

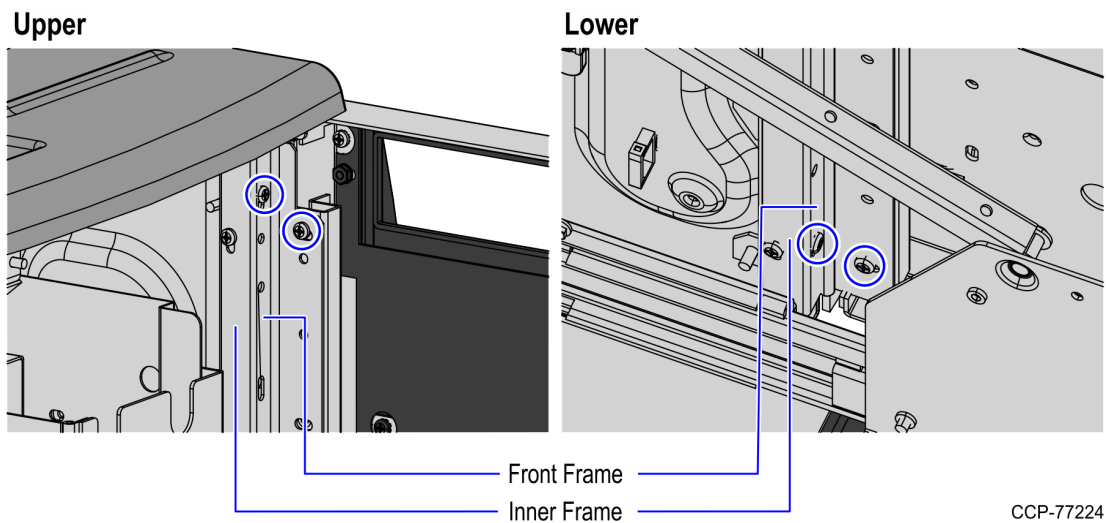
Installing Core Door Hinge

To install the Core Door Hinge, follow these steps:

1. Install the hinge to the Core Door inner frame using seven (7) screws, but do not fully tighten for adjustment purposes.
2. Secure the hinge and the Core Door by tightening the upper and lower two (2) screws on the front frame and the door. This allows easy adjustment of the Core Door before securing the remaining screws.

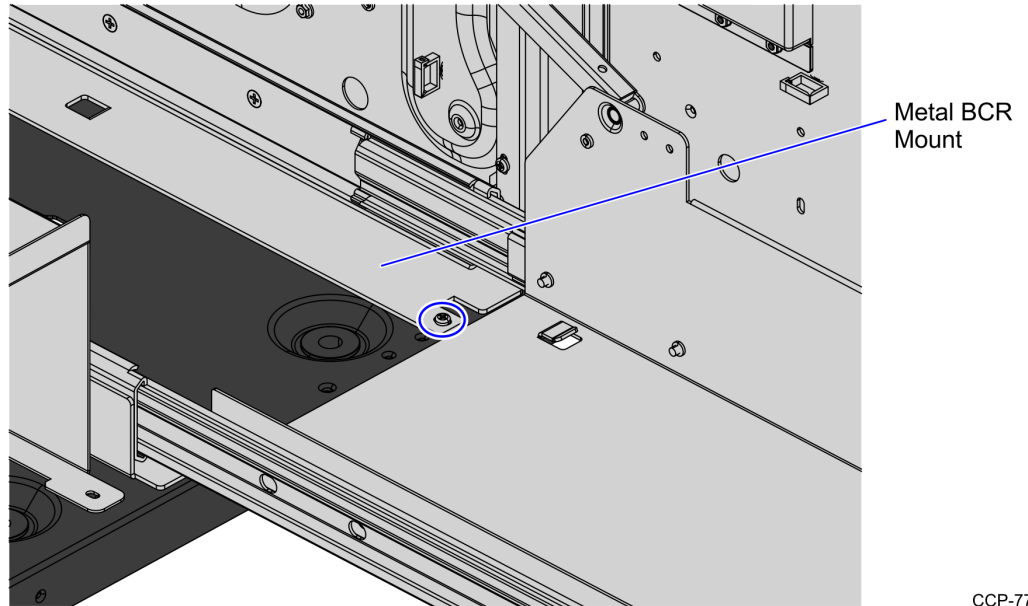


Caution: The Core Door is heavy. Handle the Core Door with caution.



CCP-77224

3. Do the following:
 - a. On the right side of the BCR shelf, hook and slide the bracket forward.
 - b. Secure metal BCR mount to the cabinet floor using a screw, as shown in the image below.



CCP-77222

4. Install the Lower and Upper Fixed Brackets, if necessary. For more information, refer to [Installing Upper and Lower Fixed Brackets](#) on the next page.
5. Temporarily install the following components to check if the components fits well when closing the Core Door.

#	Component	Related Task/Information
a.	Bulk Coin Recycler (BCR)	For more information, refer to <i>NCR SelfServ™ Checkout (7350) Hardware Service Guide (B005-0000-1827)</i> .
b.	Note Dispenser	
c.	Uninterruptible Power Supply (UPS)	
d.	Note Acceptor Cashbox	
e.	Note Acceptor Module	

6. Make necessary adjustments to the hinge alignment to ensure smooth closing of the Core Door.



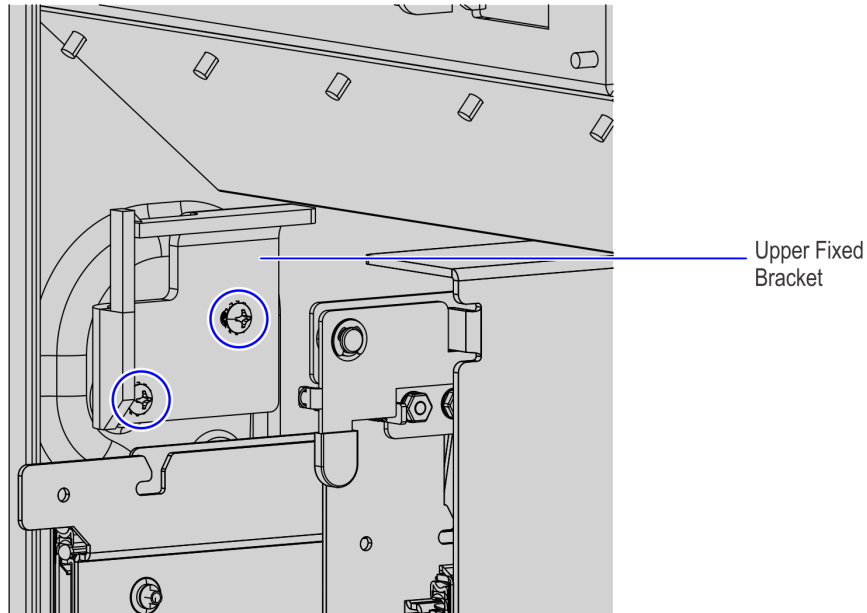
Note: To streamline the installation procedure, make the same necessary adjustments to the Upper and Lower Fixed Brackets, if necessary.

7. Secure the hinge to the Core Cabinet frame using the remaining twenty-two (22) screws.

Installing Upper and Lower Fixed Brackets

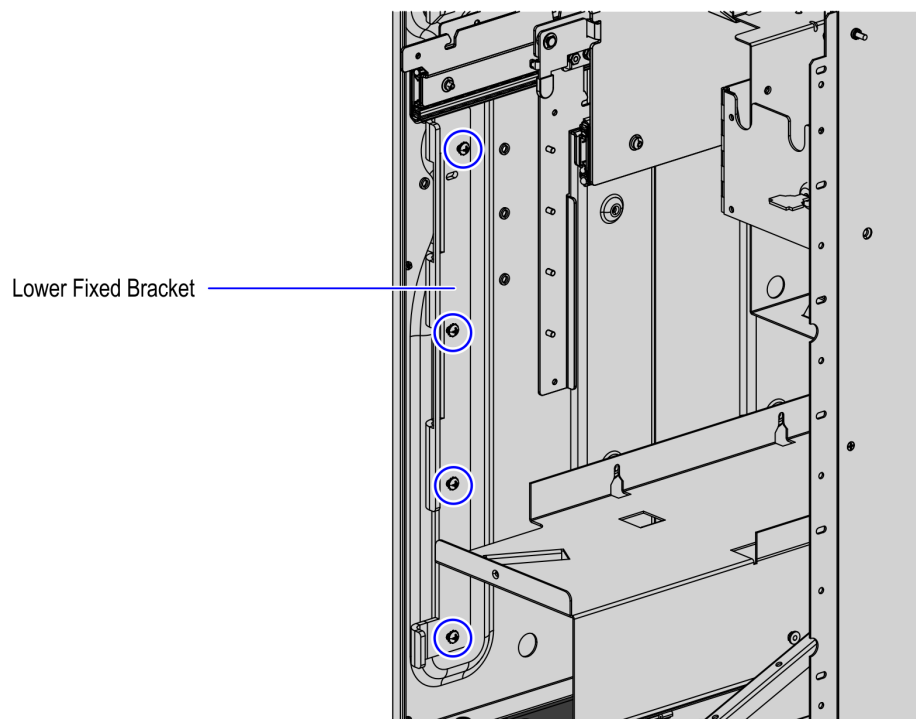
To install new upper and lower fixed brackets, follow these steps:

1. Secure the upper fixed bracket using two (2) screws, but do not fully tighten for adjustment purposes.



CCP-77229

2. Secure the lower fixed brackets using four (4) screws, but do not fully tighten for adjustment purposes.



CCP-77230

3. Install the Core Door Hinge, if necessary. For more information, refer to [Installing Core Door Hinge](#) on page 12.
4. Temporarily install the following components to check if the components fits well when closing the Core Door.

#	Component	Related Task/Information
a.	Bulk Coin Recycler (BCR)	For more information, refer to <i>NCR SelfServ™ Checkout (7350) Hardware Service Guide (B005-0000-1827)</i> .
b.	Note Dispenser	
c.	Uninterruptible Power Supply (UPS)	
d.	Note Acceptor Cashbox	
e.	Note Acceptor Module	

5. Make necessary adjustments to the fixed brackets to ensure smooth closing and lock action of the Core Door.



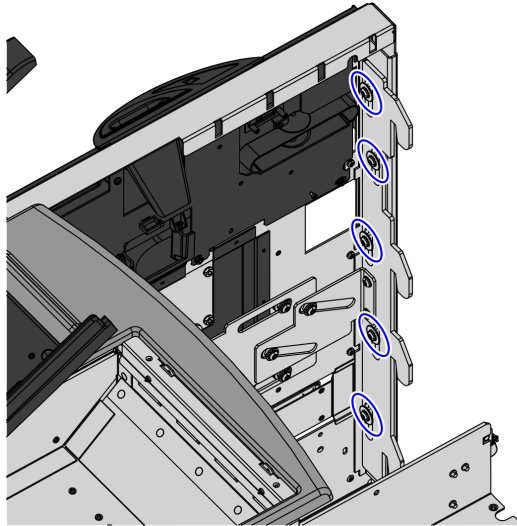
Note: To streamline the installation procedure, make the same necessary adjustments to the Core Door Hinge, if necessary.

6. Secure the upper and lower fixed brackets by tightening the pre-installed screws.

Installing Hook Bracket

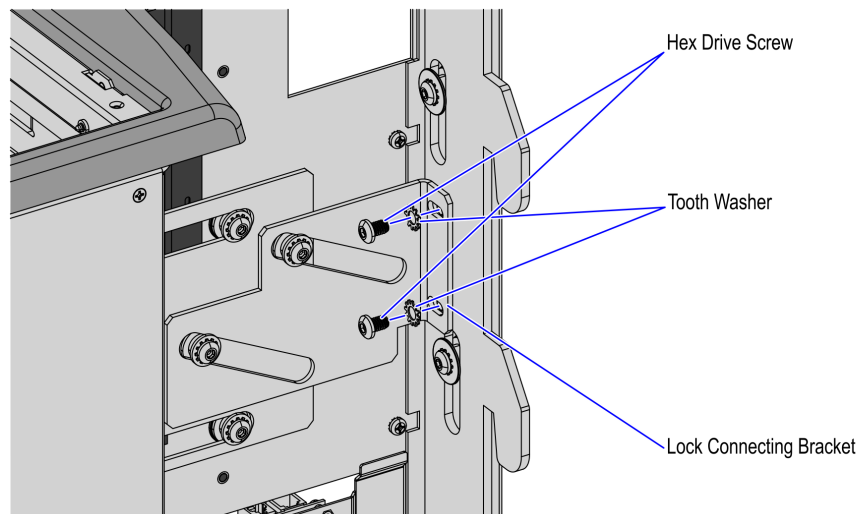
To install the Hook Bracket to the Core Door Hinge, follow these steps:

1. Remove the existing hook bracket, if necessary. For more information, refer to [Removing Hook Bracket](#) on page 10.
2. Secure the hook bracket to the Core Door using five (5) sets of hex drive screws, tooth washers and flat washers, as shown in the image below.



CCP-77248

3. Secure the lock connecting bracket to the hook bracket using two (2) sets of hex drive screws and tooth washers, as shown in the image below.

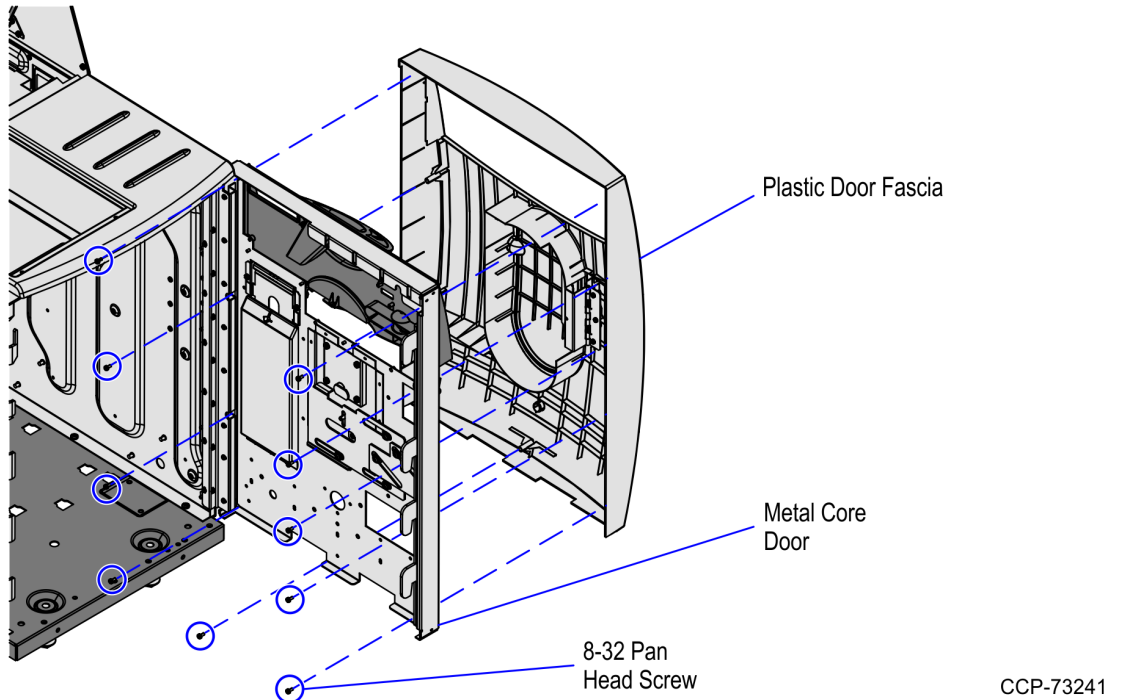


CCP-77251

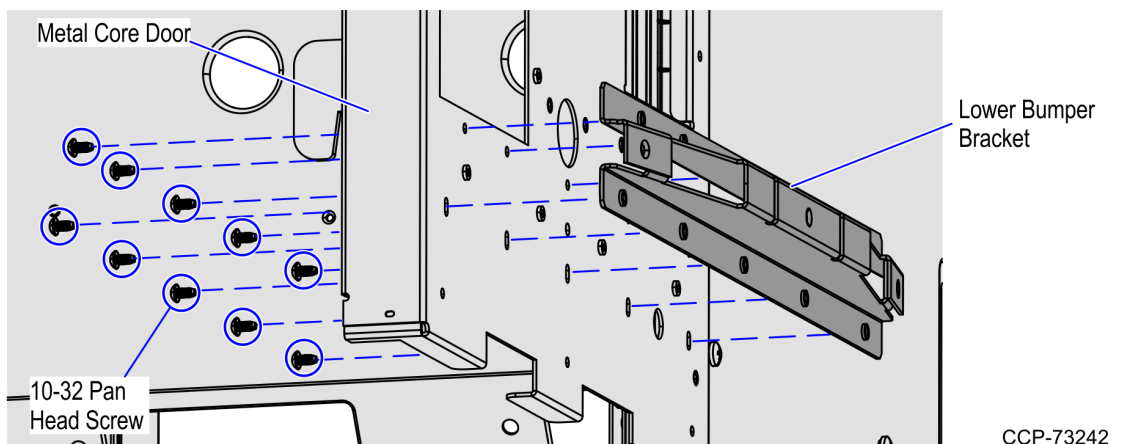
Installing Lower Bumper

To install the Core Door Bumper, follow these steps:

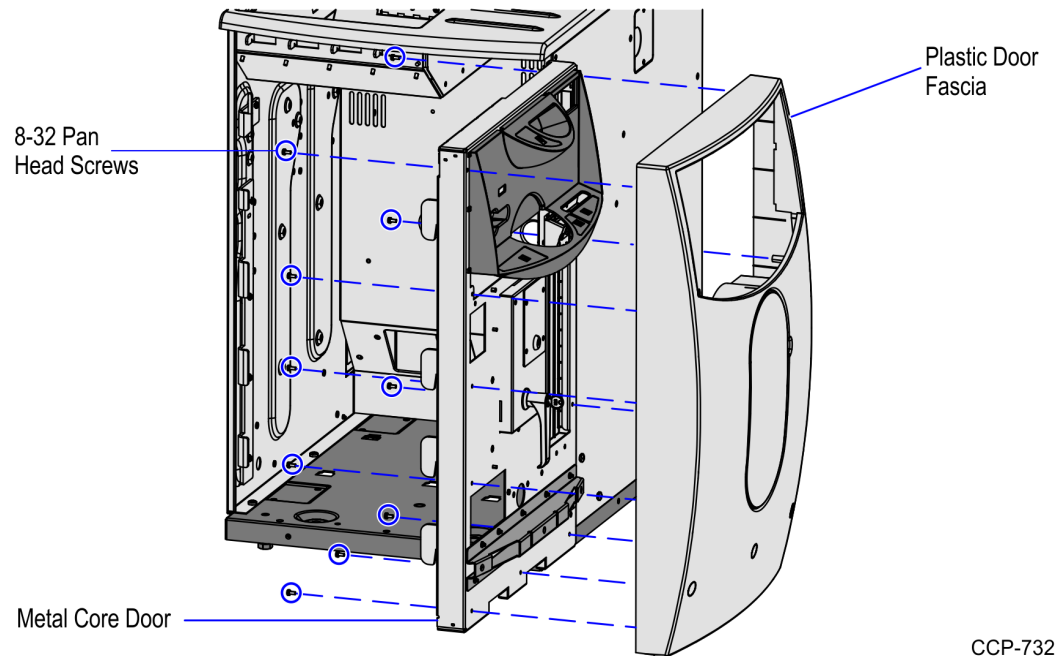
1. Uninstall the plastic door fascia from the metal core door by removing ten 8-32 pan head screws.



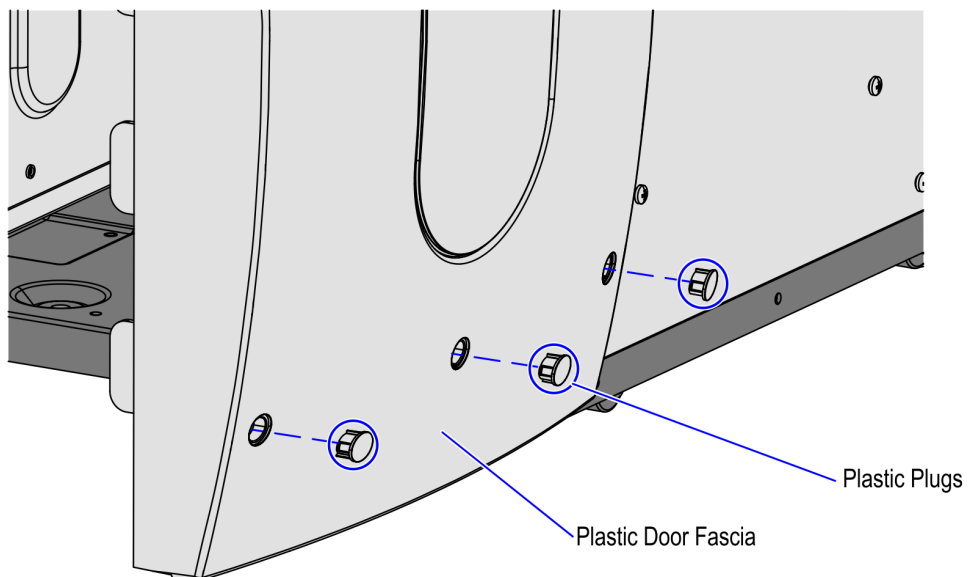
2. Attach the lower bumper bracket onto the metal core door using 10-32 pan head screws.



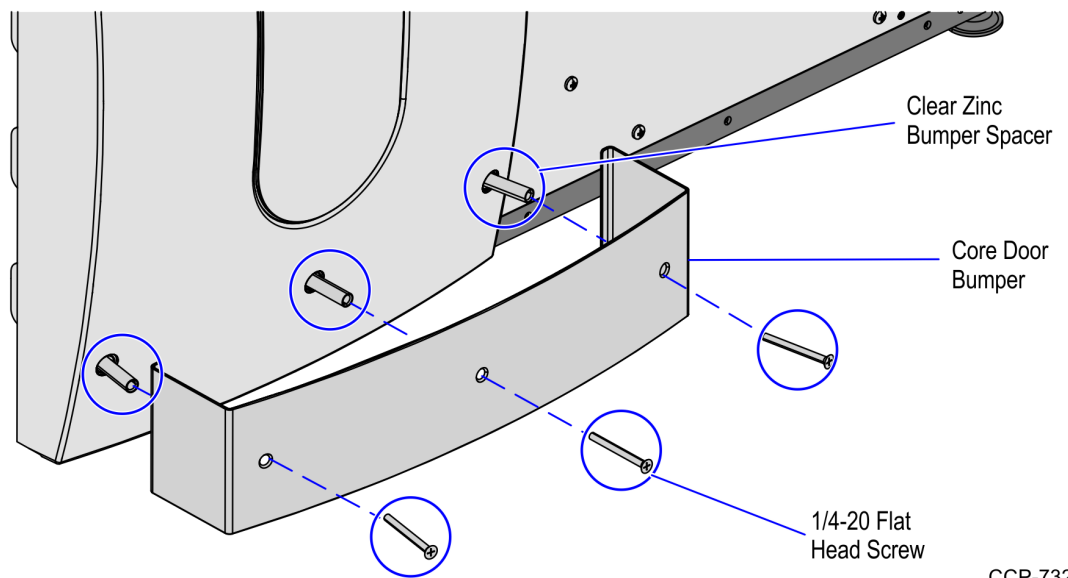
3. Attach the plastic door fascia onto the metal core door using ten 8-32 pan head screws.



4. Remove the three plastic plugs from the plastic door fascia as shown in the image below.



5. Do the following:
 - a. Insert three clear zinc bumper spacers into each hole on the plastic door fascia.
 - b. Align the core door bumper holes with the corresponding bumper spacer and then secure using three 1/4-20 flat head screws as shown in the image below.



CCP-73245