

Kit Instructions

NRI Eagle Coin Acceptor Upgrade



7350-K913
Issue A



The product described in this document is a licensed product of NCR Corporation.

NCR is a registered trademark of NCR Corporation. NCR SelfServ™ Checkout is a trademark of NCR Corporation in the United States and/or other countries. Other product names mentioned in this publication may be trademarks or registered trademarks of their respective companies and are hereby acknowledged.

The terms HDMI and HDMI High-Definition Multimedia Interface, and the HDMI Logo are trademarks or registered trademarks of HDMI Licensing LLC in the United States and other countries.

Where creation of derivative works, modifications or copies of this NCR copyrighted documentation is permitted under the terms and conditions of an agreement you have with NCR, NCR's copyright notice must be included.

It is the policy of NCR Corporation (NCR) to improve products as new technology, components, software, and firmware become available. NCR, therefore, reserves the right to change specifications without prior notice.

All features, functions, and operations described herein may not be marketed by NCR in all parts of the world. In some instances, photographs are of equipment prototypes. Software screen images are representative, and in some cases, may not match a customer's installed software exactly. Therefore, before using this document, consult with your NCR representative or NCR office for information that is applicable and current.

To maintain the quality of our publications, we need your comments on the accuracy, clarity, organization, and value of this book. Please use the link below to send your comments.

Email: FD230036@ncr.com

Copyright © 2021
By NCR Corporation
Global Headquarters
864 Spring St. NW
Atlanta, GA 30308
United States
All Rights Reserved

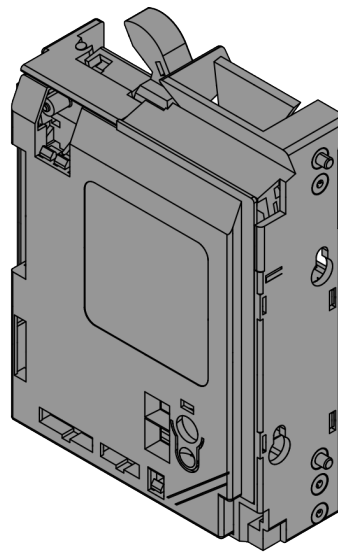
Revision Record

| Issue | Date | Remarks |
|-------|----------|-------------|
| A | Jun 2021 | First issue |
| | | |
| | | |

NRI Eagle Coin Acceptor Upgrade

This publication provides procedures for upgrading the existing Money Controls SR5i Coin Acceptor in the NCR SelfServ™ Checkout (7350) with NRI Eagle Coin Acceptor.

Kit Contents



Eagle Coin Acceptor

CCP-80717

| Part Number | Description |
|---------------|-----------------------------------------------|
| 497-0530735 | 7350-K913 Kit, NRI Eagle Coin Upgrade |
| 497-0503931 | Eagle Coin Acceptor and Cables - Service Part |
| * 497-0475422 | Coin Acceptor Cables - Service Part |
| 497-0501561 | Coin Recycler - Eagle Coin Acceptor |
| * 497-0423108 | Instructions Kit (Reference Sheet) |

* Items marked with an asterisk are not called out on the image.

Installation Procedure

To upgrade the Money Controls SR5i Coin Acceptor in the NCR SelfServ™ Checkout (7350) to an NRI Eagle Coin Acceptor, follow these steps:

1. Turn off the NCR SelfServ Checkout software and hardware systems.
2. Unlock and open the SelfServ CheckoutCore Door. For more information, refer to [Opening Core Door](#) on the facing page.
3. Remove the existing Coin Acceptor. Depending on the type of Coin Acceptor, refer to either of the following procedures:
 - [Removing Money Controls SR5i Coin Acceptor](#) on page 5.
 - [Removing Money Controls SR5i Coin Acceptor from Metal BCR \(BCR 106\)](#) on page 8.
4. Install the NRI Eagle Coin Acceptor. Depending on the type of Coin Acceptor, refer to either of the following procedures:
 - [Installing NRI Eagle Coin Acceptor](#) on page 10.
 - [Installing NRI Eagle Coin Acceptor in Metal BCR \(BCR 106\)](#) on page 11.
5. Close and lock the SelfServ CheckoutCore Door. For more information, refer to [Closing the Core Door](#) on page 14.
6. Run the CADD/ADD Configuration Utility to ensure that the device is updated with the latest firmware.

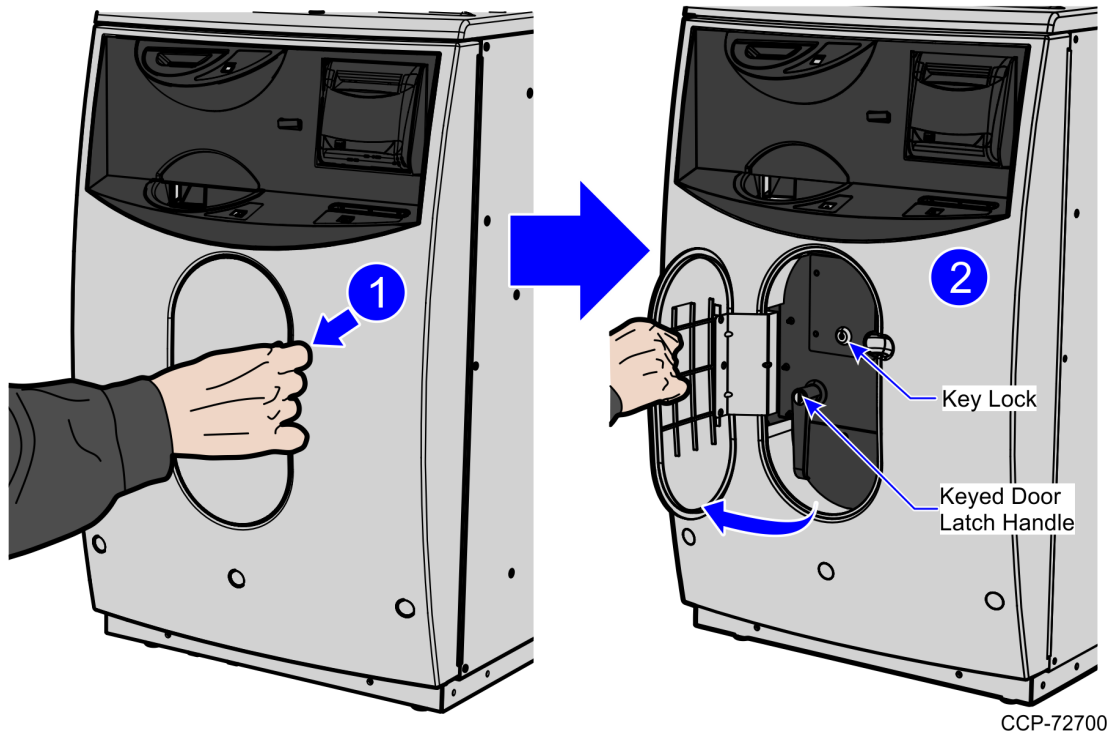


Note: Ensure that the upgraded unit is using the CADD_Full_Update_v1.9 + CADD_1.9_Patch_v3.4 version. If the unit is using a supported software, delete CADDruntime.dat. The CADD should then detect the NRI Eagle Coin Acceptor.

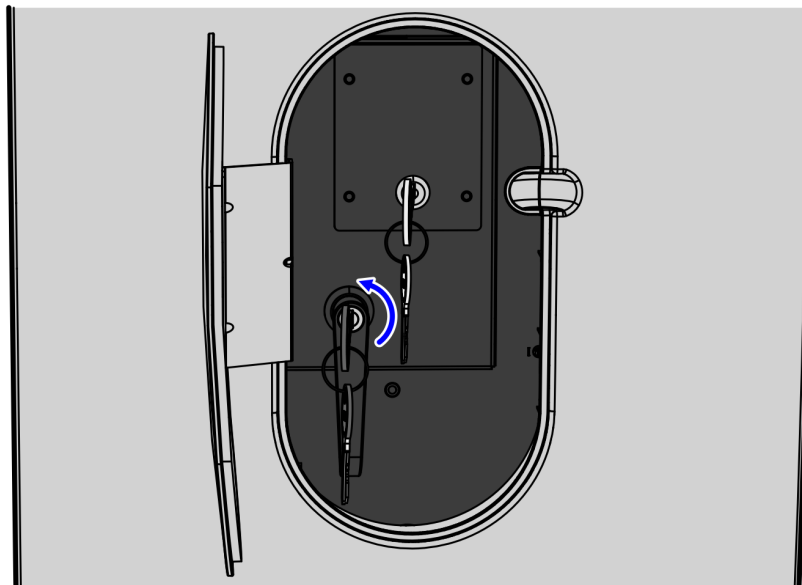
Opening Core Door

To open the Core Door, follow these steps:

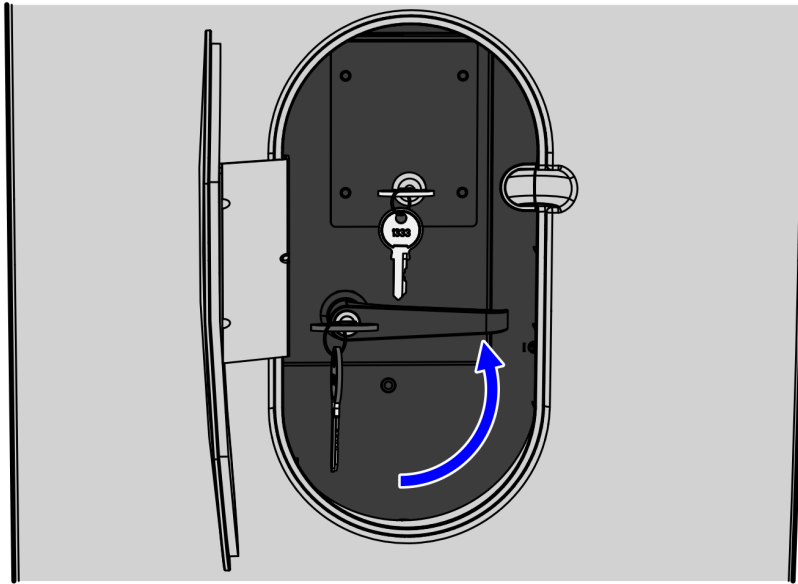
1. Use the finger access on the small door to access the door locks, as shown below:



2. In the middle keyhole, insert a key.
3. In Door Latch Handle keyhole, insert a key and then turn it counterclockwise.



4. Turn the Door Latch Handle upward and then pull to open the Core Door.

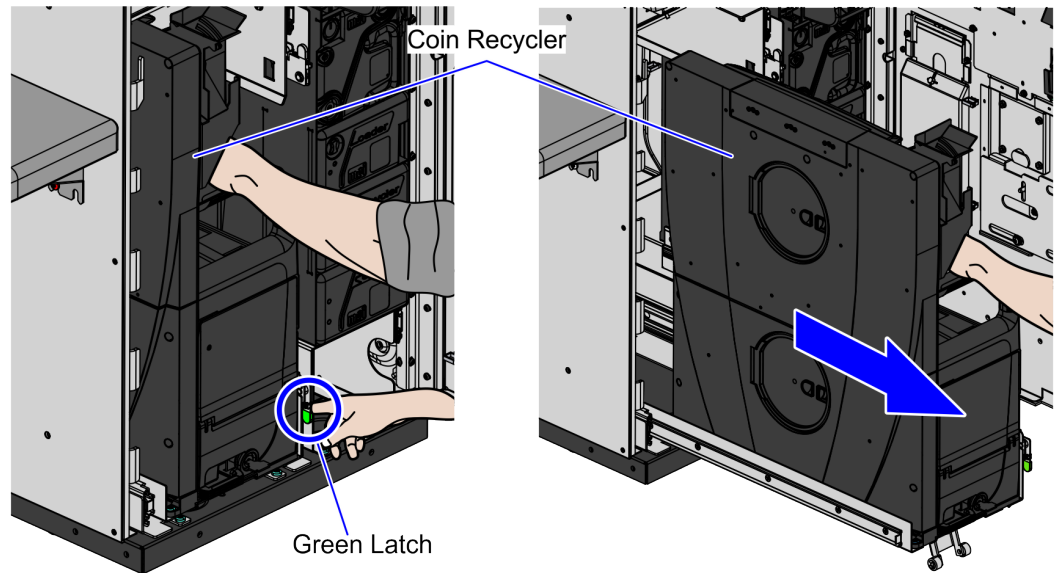


CCP-72702

Removing Money Controls SR5i Coin Acceptor

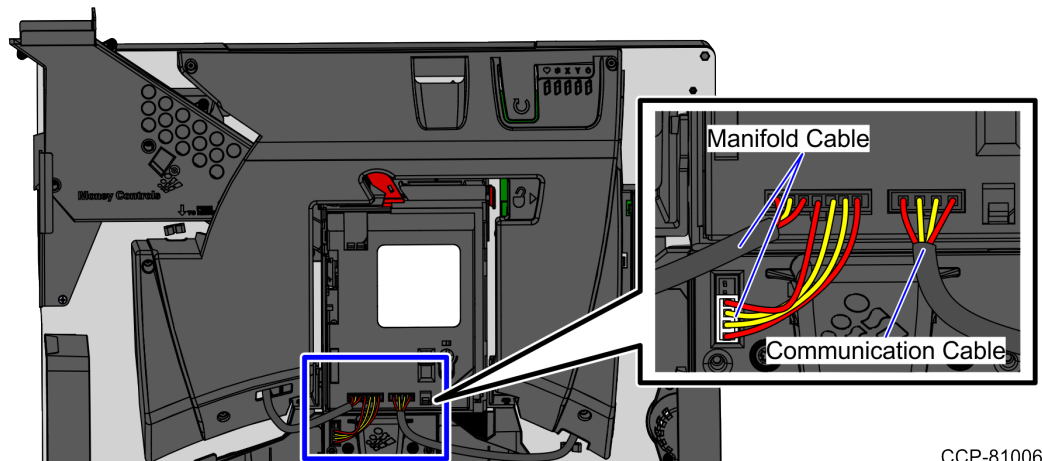
To remove the Money Controls SR5i Coin Acceptor, follow these steps:

1. Lift the green latch and rack out the Bulk Coin Recycler from the unit until it is fully extended.



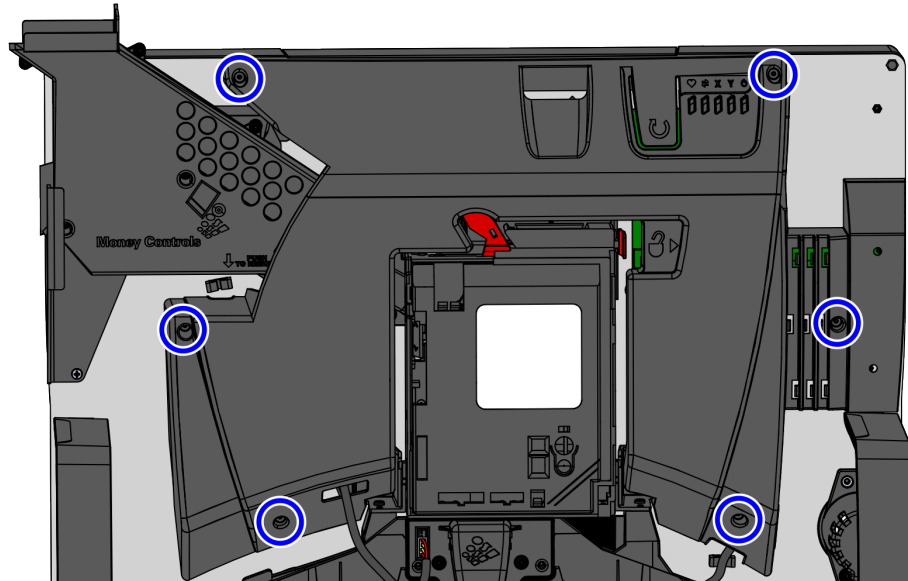
CCP-80730

2. Do the following to remove the main cover:
 - a. Disconnect the three (3) cable connectors from the Coin Acceptor and Manifold.



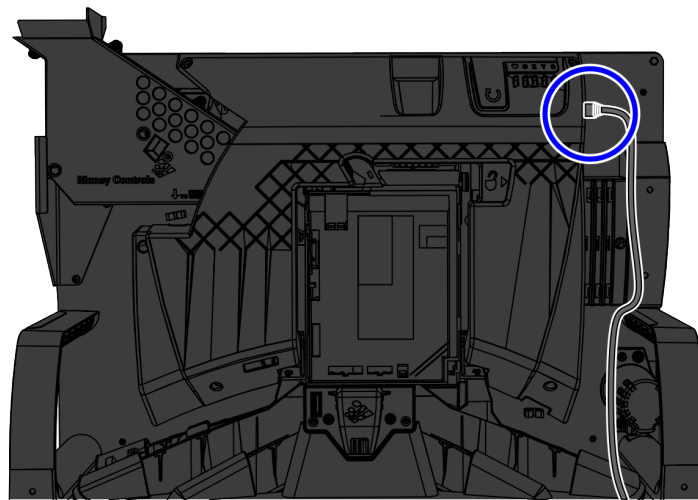
CCP-81006

- b. Remove the six (6) captive screws securing the main cover to the Bulk Coin Recycler chassis.



CCP-81004

- c. Feed the Coin Acceptor Manifold cable through the hole in the cover.
 - d. Lift cover off the Coin Recycler.
3. Disconnect the System Power cable from the Coin Recycler control board.

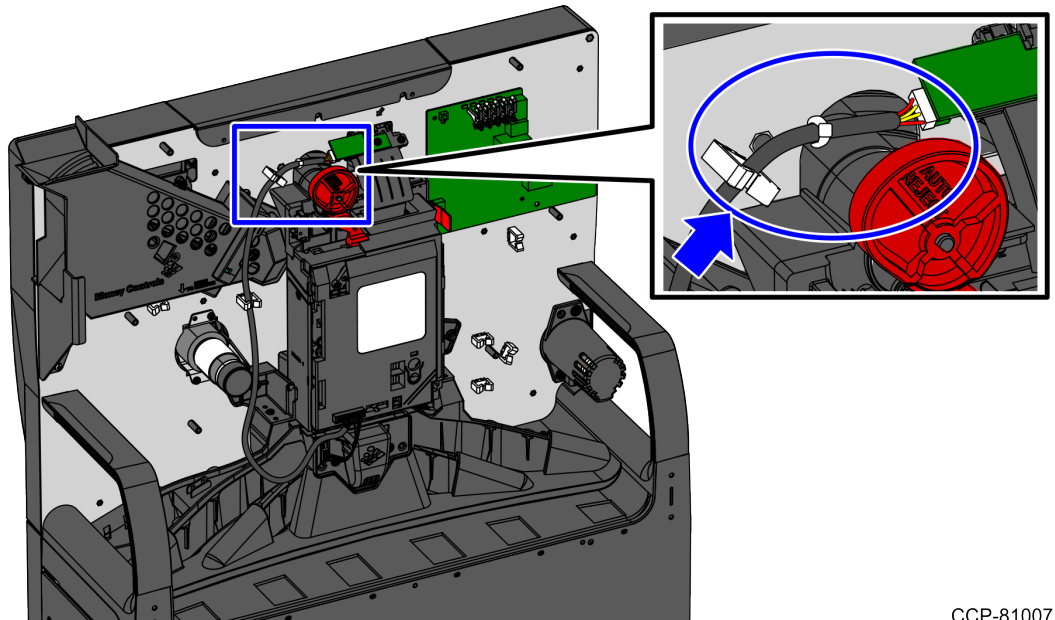


CCP-80731

4. Do the following:
 - a. Disconnect the other end of the manifold cable from the Coin Acceptor Chute Opto PCB, as shown in the image below.

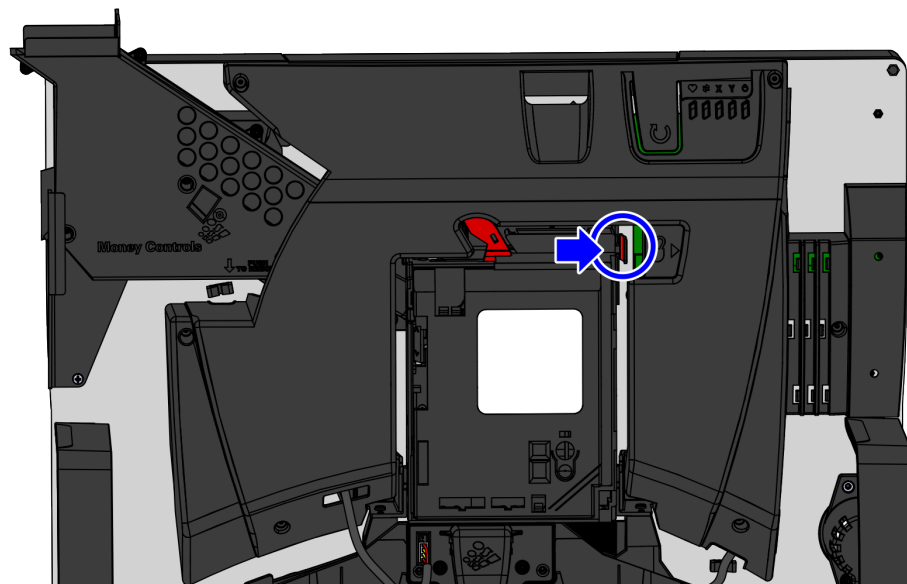


Note: Ensure to remove the cable from the reclosable clip.



CCP-81007

5. Push the red tab to the right to release the Money Controls SR5i Coin Acceptor and then pull it out of the unit.

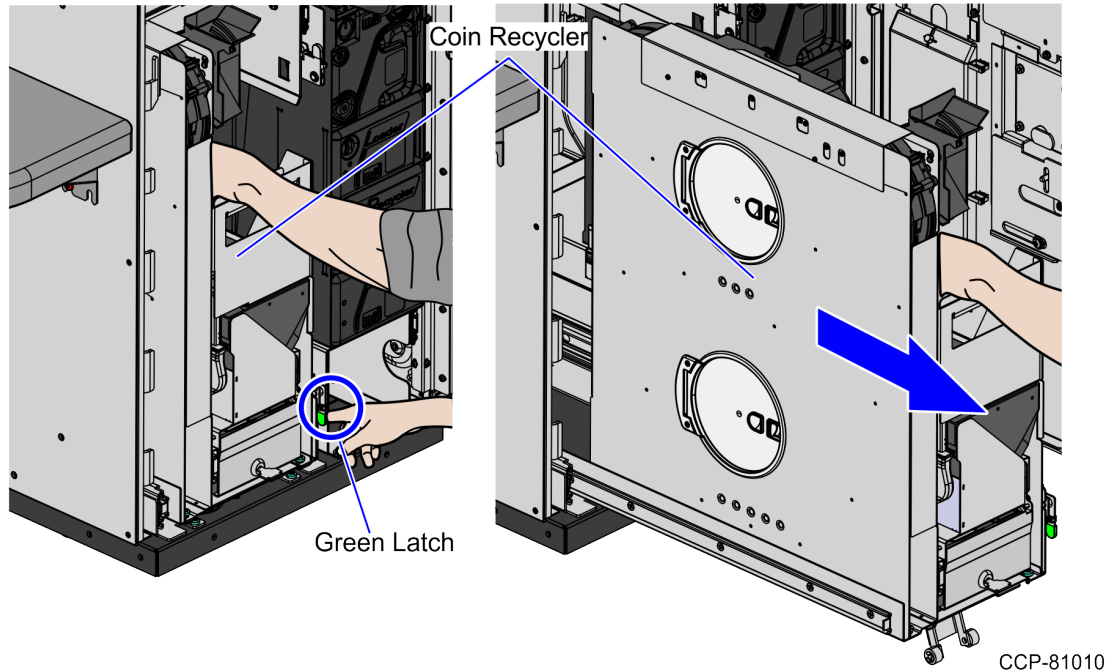


CCP-81013

Removing Money Controls SR5i Coin Acceptor from Metal BCR (BCR 106)

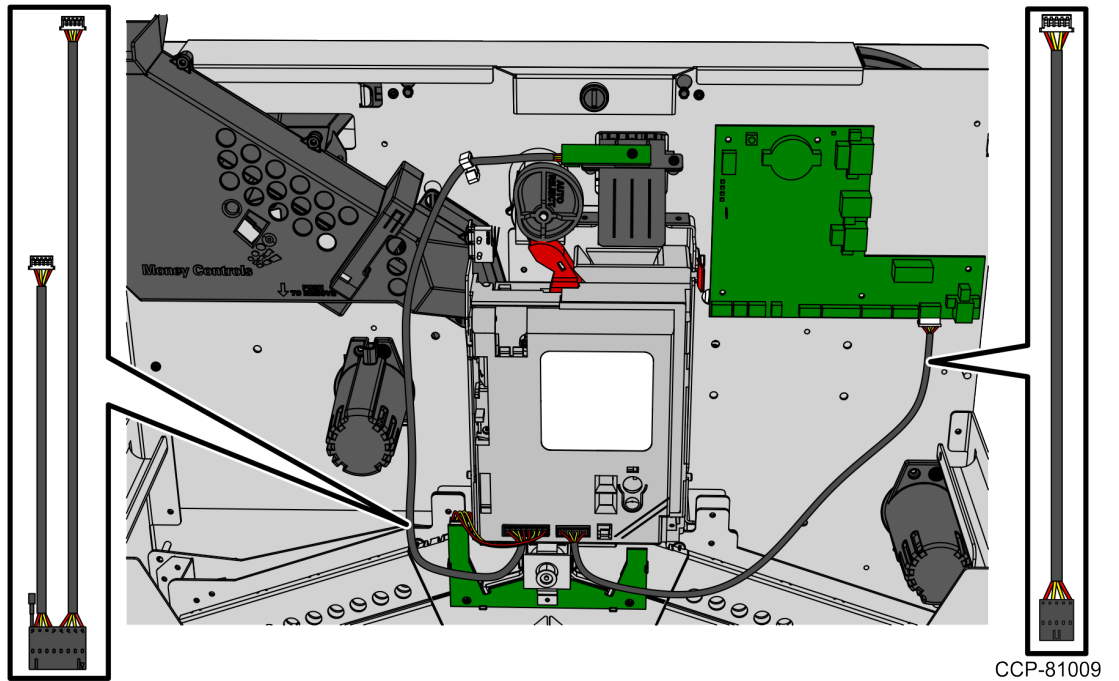
To remove the Money Controls SR5i Coin Acceptor, follow these steps:

1. Lift the green latch and rack out the Bulk Coin Recycler from the unit until it is fully extended.

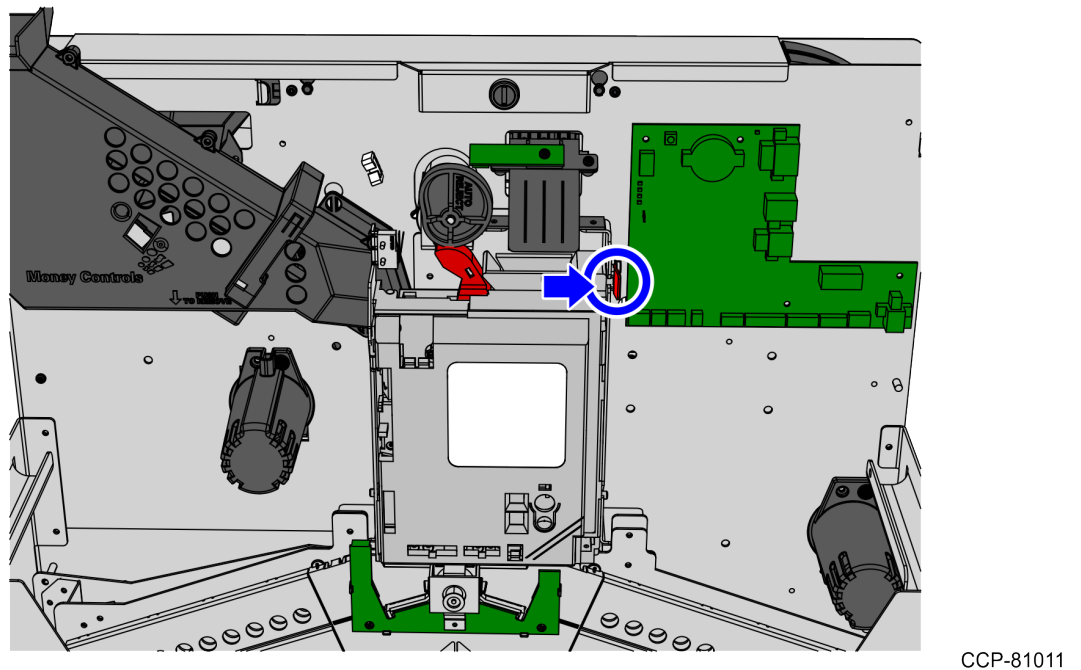


2. Remove the Main Cover.

3. Disconnect the following cables from the Coin Acceptor and the Bulk Coin Recycler, as shown in the image below.



4. Release the red tab on the right side of the Coin Acceptor and pull acceptor toward you.



5. Lift the Coin Acceptor out of the Bulk Coin Recycler.

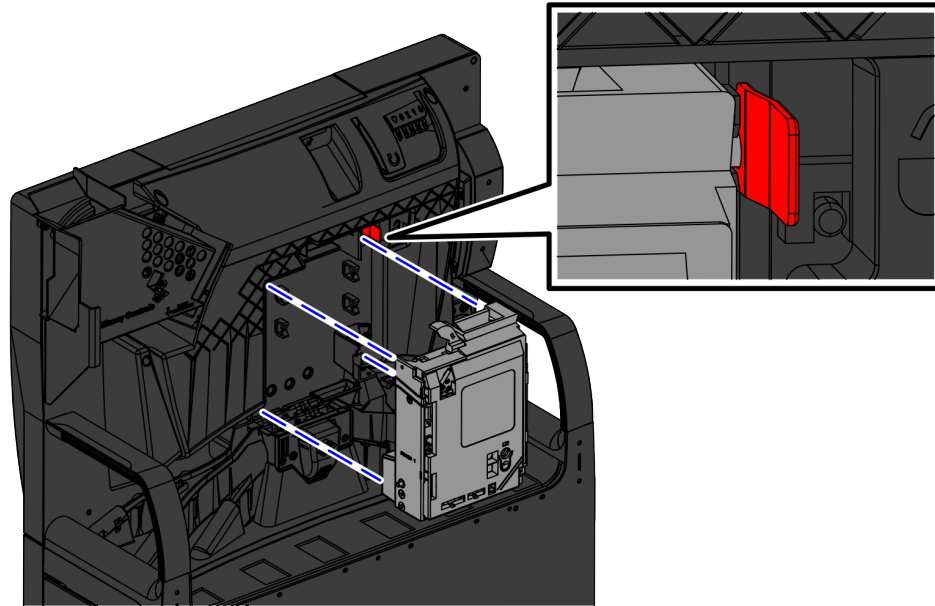
Installing NRI Eagle Coin Acceptor

To install the NRI Eagle Coin Acceptor, follow these steps:

1. Insert the NRI Eagle Coin Acceptor into the Coin Recycler unit.

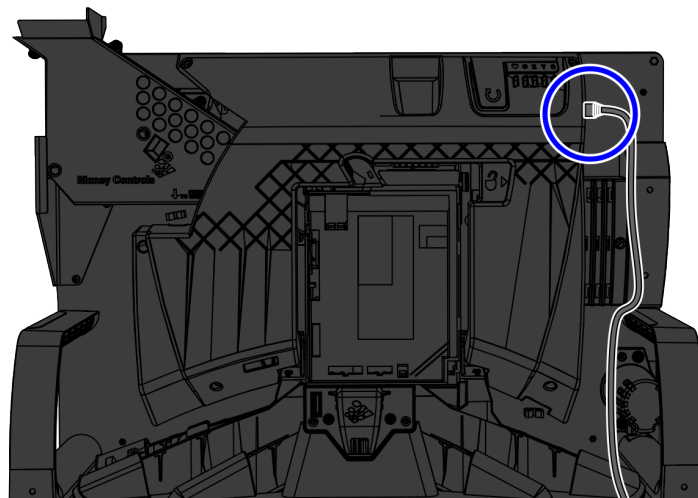


Note: Ensure that the NRI Eagle Coin Acceptor is aligned with the guides on the BCR and that it is secured in place by the red tab.



CCP-80732

2. Connect the System Power cable to the Coin Recycler control board.



CCP-80731

3. Connect the cables. For more information, refer to [Routing Cables](#) on page 12.
4. Push the Bulk Coin Recycler back to the Core Cabinet.

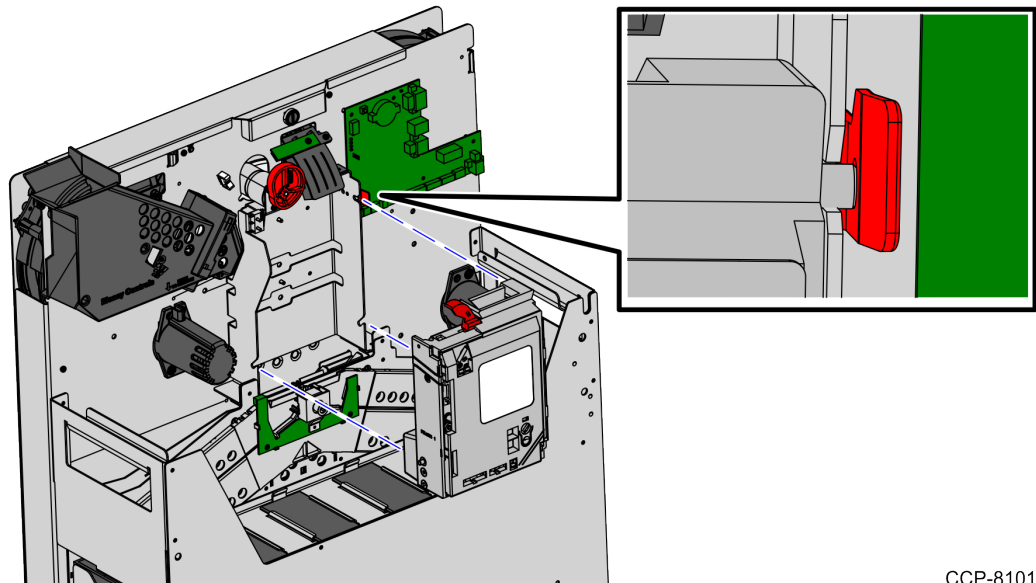
Installing NRI Eagle Coin Acceptor in Metal BCR (BCR 106)

To install the NRI Eagle Coin Acceptor, follow these steps:

1. Insert the NRI Eagle Coin Acceptor into Coin Recycler unit.

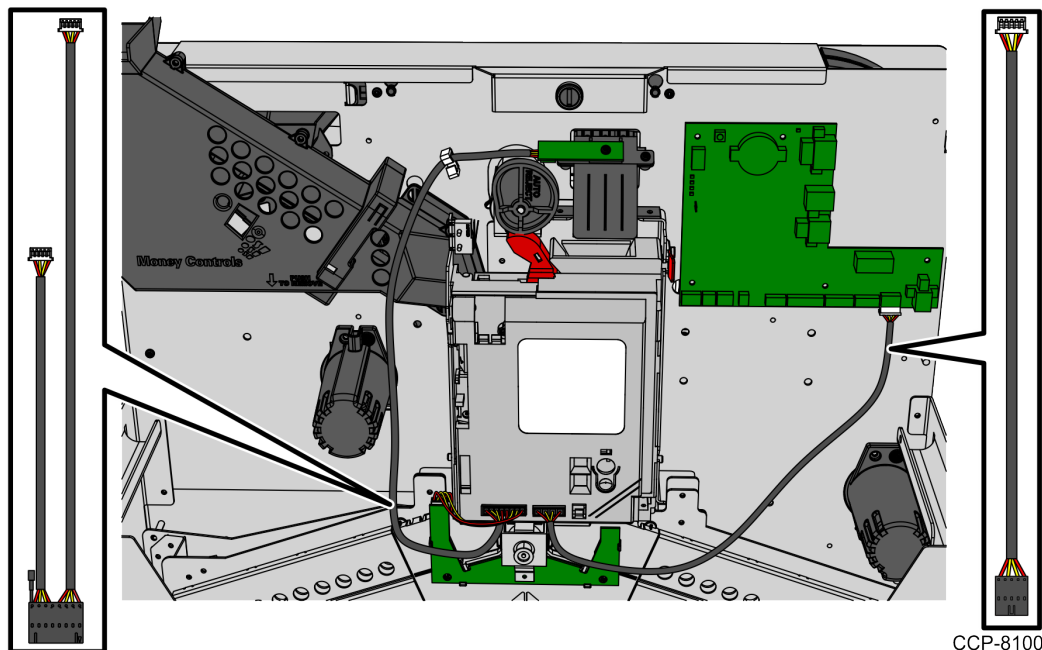


Note: Ensure that the NRI Eagle Coin Acceptor is aligned with the guides on the BCR and that it is secured in place by the red tab.



CCP-81012

2. Connect Eagle Coin Acceptor cables, as shown in the image below.



CCP-81009

3. Install the main cover back to the Bulk Coin Recycler.
4. Push the Bulk Coin Recycler back to the Core Cabinet.

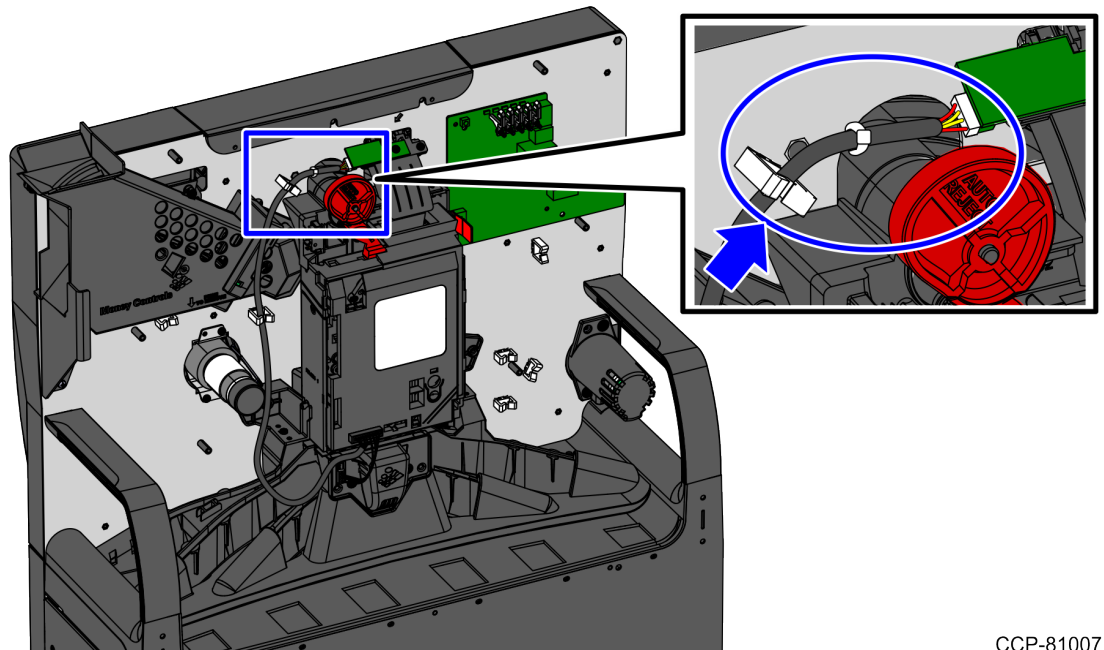
Routing Cables

To route the Eagle Coin Acceptor cables in a Plastic BCR (BCR 206), follow these steps:

1. Connect the manifold cable from to the Coin Acceptor Chute Opto PCB, as shown in the image below.

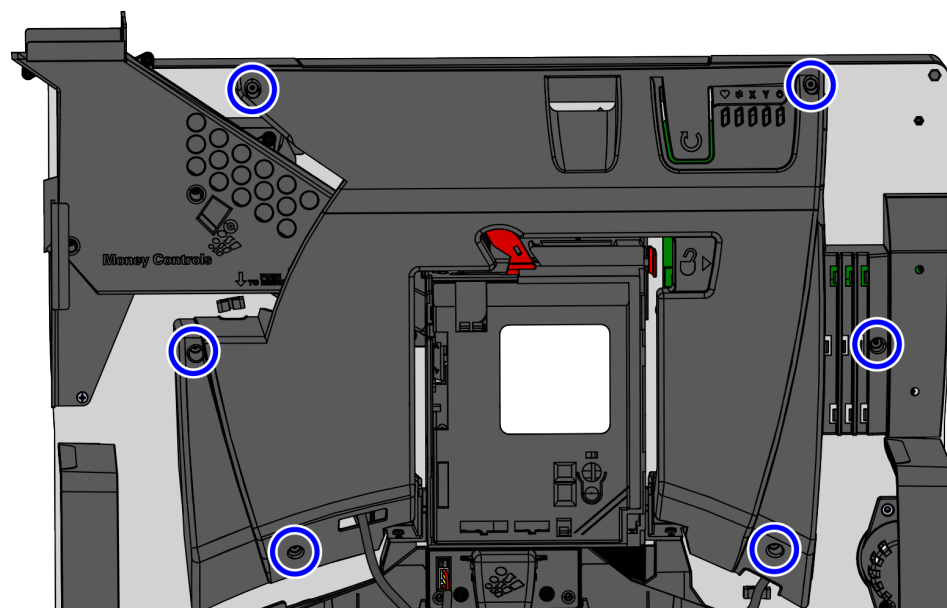


Note: Ensure to secure the cable to the reclosable clip.



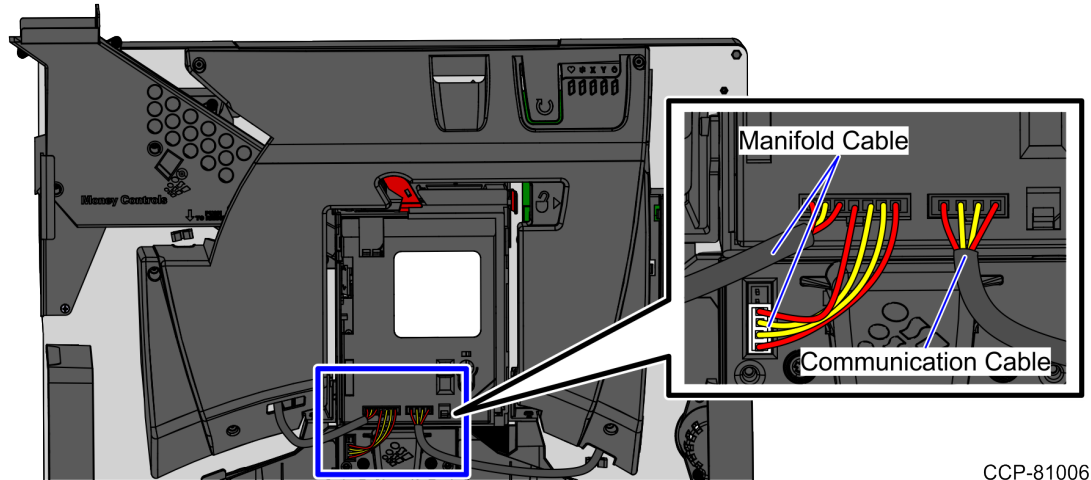
CCP-81007

2. Feed the Coin Acceptor Manifold cable through the hole in the cover.
3. Secure the main cover to the Bulk Coin Recycler chassis using six (6) captive screws.



CCP-81004

4. Connect the three (3) cable connectors to the Coin Acceptor and Manifold.

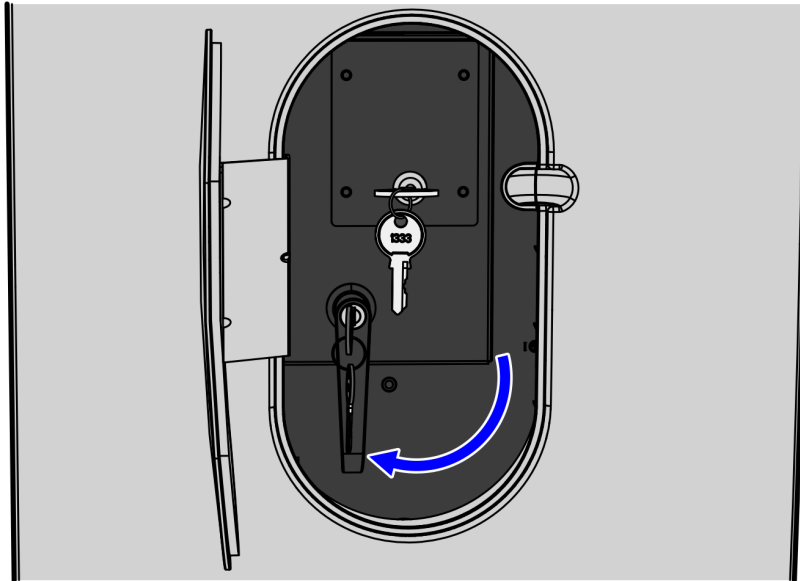


CCP-81006

Closing the Core Door

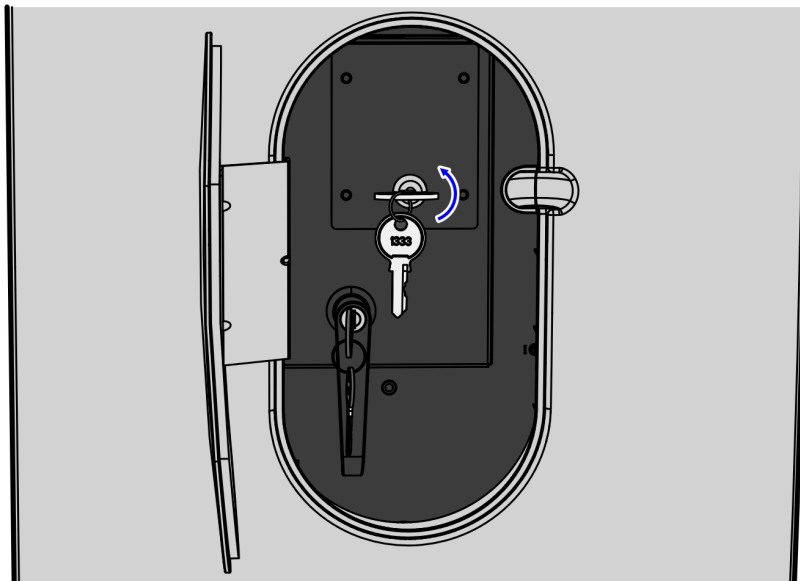
To close the Core Door, follow these steps:

1. Push the Core Door to the core cabinet and then turn the Door Latch Handle downward to lock the door.



CCP-72703

2. In the middle keyhole, turn the key counterclockwise to completely lock the Core Door.



CCP-72704

3. Remove the keys.

