

Kit Instructions

Handheld Scanner Mounting Arm



7350-K804
Issue A



The product described in this document is a licensed product of NCR Corporation.

NCR is a registered trademark of NCR Corporation. NCR SelfServ™ Checkout is a trademark of NCR Corporation in the United States and/or other countries. Other product names mentioned in this publication may be trademarks or registered trademarks of their respective companies and are hereby acknowledged.

The terms HDMI and HDMI High-Definition Multimedia Interface, and the HDMI Logo are trademarks or registered trademarks of HDMI Licensing LLC in the United States and other countries.

Where creation of derivative works, modifications or copies of this NCR copyrighted documentation is permitted under the terms and conditions of an agreement you have with NCR, NCR's copyright notice must be included.

It is the policy of NCR Corporation (NCR) to improve products as new technology, components, software, and firmware become available. NCR, therefore, reserves the right to change specifications without prior notice.

All features, functions, and operations described herein may not be marketed by NCR in all parts of the world. In some instances, photographs are of equipment prototypes. Software screen images are representative, and in some cases, may not match a customer's installed software exactly. Therefore, before using this document, consult with your NCR representative or NCR office for information that is applicable and current.

To maintain the quality of our publications, we need your comments on the accuracy, clarity, organization, and value of this book. Please use the link below to send your comments.

Email: FD230036@ncr.com

Copyright © 2020
By NCR Corporation
Global Headquarters
864 Spring St. NW
Atlanta, GA 30308
United States
All Rights Reserved

Revision Record

Issue	Date	Remarks
A	Apr 2020	First Issue

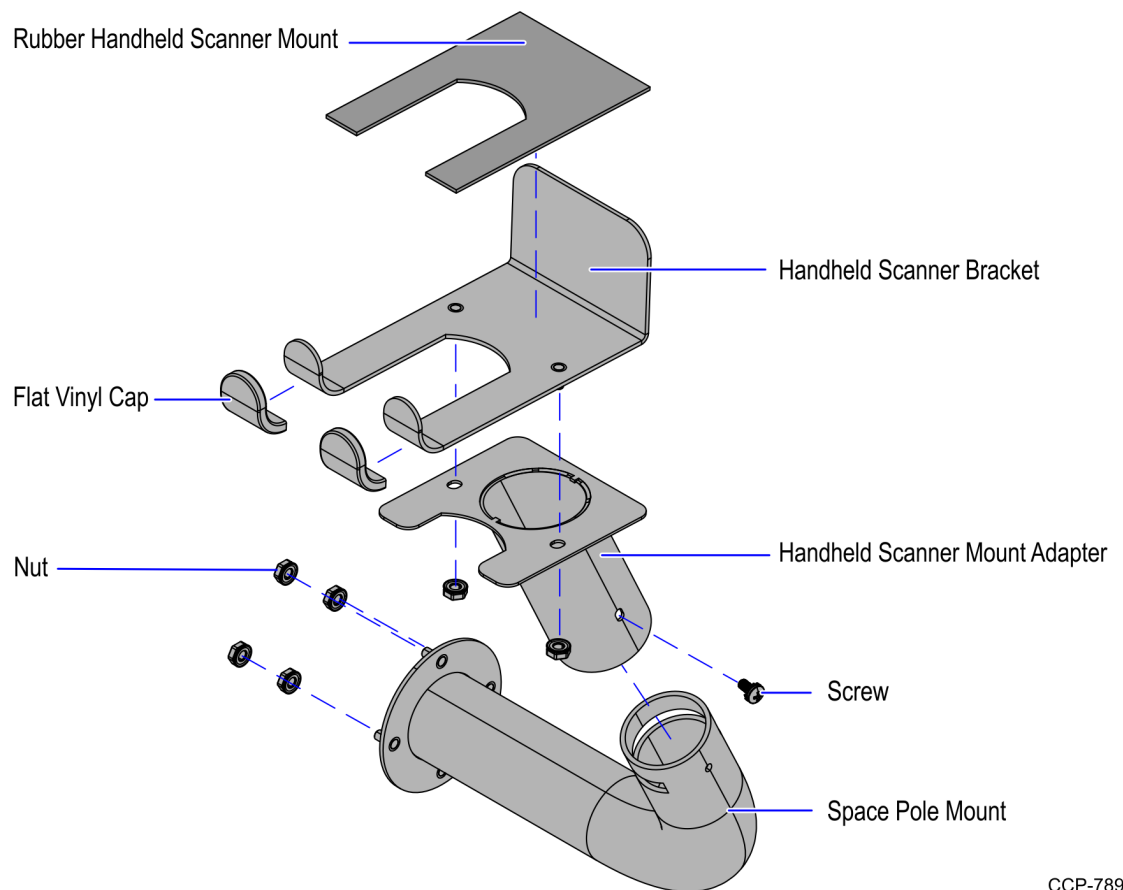
7350-K804 Handheld Scanner Mounting Arm

This publication provides procedures for installing a Handheld Scanner Mounting Arm on NCR SelfServ™ Checkout (7350) R6L Narrow Core units.



Note: Whether the SelfServ Checkout unit is configured as Left-hand (LH) orientation or Right-hand (RH) orientation, the Handheld Scanner Mounting Arm is installed on the side with the Basket Shelf.

Kit Contents



CCP-78919



Note: The Handheld Scanner Mount Adapter is pre-assembled with the Handheld Scanner Bracket, Flat Vinyl Cap, and Rubber Handheld Scanner Mount prior to shipment.

Part Number	Description
497-0477241	Handheld Scanner Mounting Arm
497-0476953	Space Pole Mount - Sp1 - 1.5" Diameter
497-0476958	Hand Scanner Mount Adapter
497-0455311	Bracket, Hand Scanner
006-8611143	Nut Keps, 8-32, Steel, Blue Zinc (6 Pcs)
497-0455362	Poron, Rubber, Handheld Scanner Mount
497-0455333	Mocap Part - Flat Vinyl Cap 0.062 X ¾ X 1.5 " Il, Re Style, Black (2 Pcs)
006-8611286	Screw - 8-32 X .375" Phillips Pan Head, Captive External Tooth Washer, Trivalent Coating
* 497-0504195	Carton Pack - 549 Series, 13" X 10 1/2" X 4" - Corrugated With Convuluted Foam
* 497-0423108	Instructions-Kit (Reference Sheet)
* 006-8623359	Bag, 2X2 Zip Lock

* Items marked with an asterisk are not called out on the image.

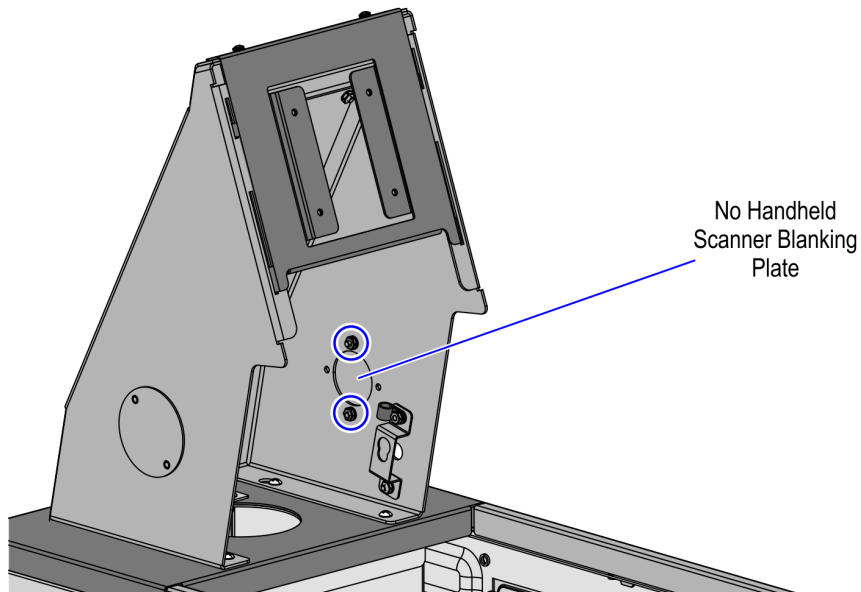
Installation Procedure

To install the Handheld Scanner Mounting Arm, follow these steps:

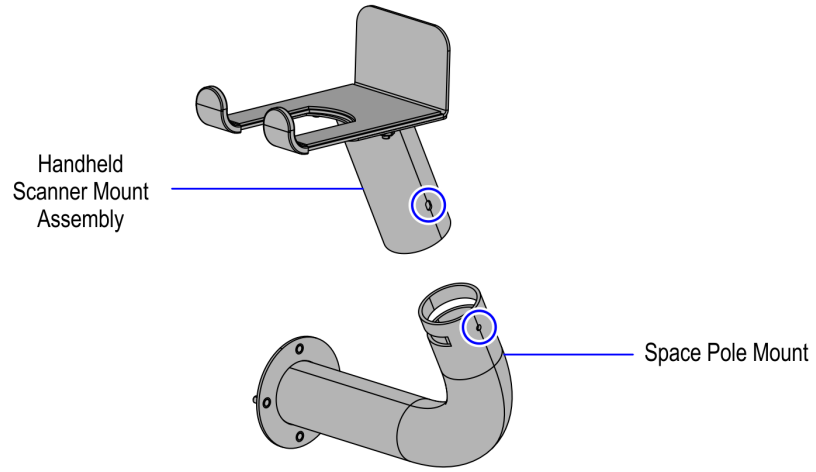


Note: Whether the SelfServ Checkout unit is configured as Left-hand (LH) orientation or Right-hand (RH) orientation, the Handheld Scanner Mounting Arm is installed on the side with the Basket Shelf.

1. Remove the following devices. For more information, refer to [NCR FastLane SelfServ™ Checkout \(7358\) Hardware Service Guide](#) (BCC5-0000-5265).
 - a. Terminal Display
 - b. Scanner/Scale
2. If necessary, detach the No Handheld Scanner Blanking Plate from the Tower Frame by removing two (2) nuts, as shown in the image below.

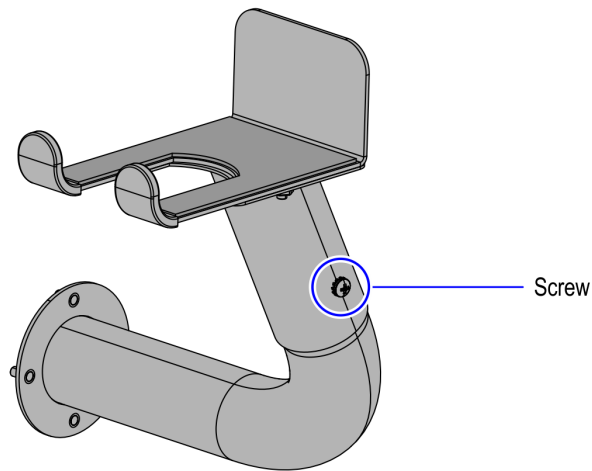


- 3. Do the following:
 - a. Align the screw hole on the Handheld Scanner Mount Adapter with screw hole on the Space Pole Mount.



CCP-78921

- b. Secure the assembly using one (1) screw.



CCP-78922

4. Do the following:

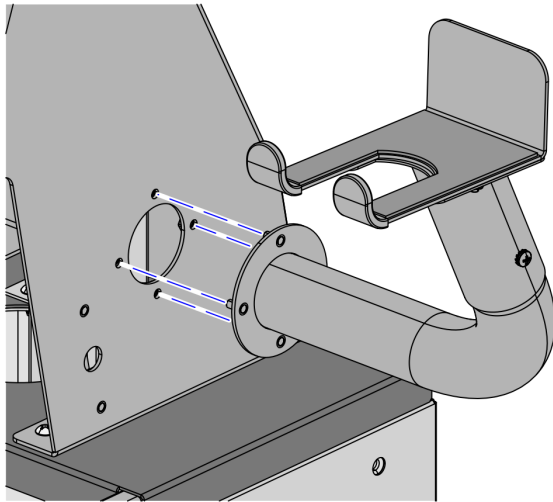


Note: Whether the SelfServ Checkout unit is configured as Left-hand (LH) orientation or Right-hand (RH) orientation, the Handheld Scanner Mounting Arm is installed on the side with the Basket Shelf.

- a. Align the Handheld Scanner Mounting Arm studs with the corresponding holes on the Tower Frame using four (4) nuts, as shown in the image below.

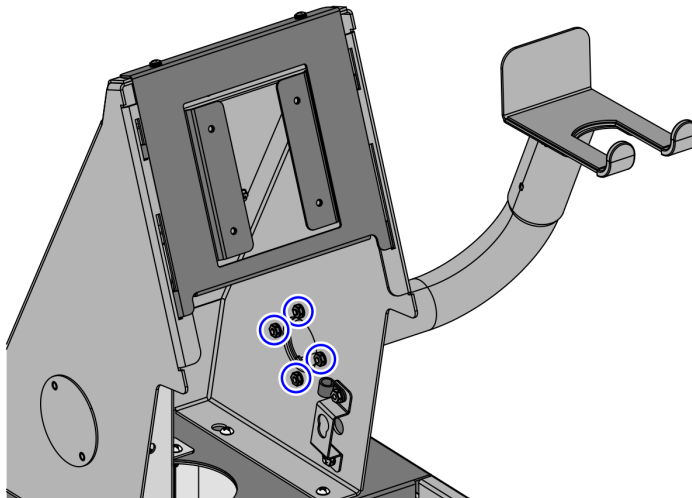


Note: Ensure that the Handheld Scanner Mount Adapter assembly is upright, as shown in the image below.



CCP-78923

- b. Secure the Handheld Scanner Mounting Arm assembly to the Tower Frame using four (4) nuts, as shown in the image below.



CCP-78924

5. Install the following devices. For more information, refer to [NCR FastLane SelfServ™ Checkout \(7358\) Hardware Service Guide](#) (BCC5-0000-5265).

- a. Scanner/Scale
- b. Terminal Display