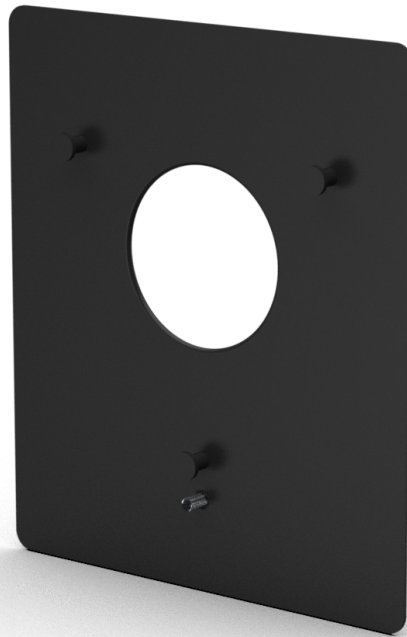


# Kit Instructions

PIN Pad Mount (Ingenico ISC250)



7350-K421  
Issue C



---

The product described in this document is a licensed product of NCR Corporation.

NCR is a registered trademark of NCR Corporation. NCR SelfServ™ Checkout is a trademark of NCR Corporation in the United States and/or other countries. Other product names mentioned in this publication may be trademarks or registered trademarks of their respective companies and are hereby acknowledged.

The terms HDMI and HDMI High-Definition Multimedia Interface, and the HDMI Logo are trademarks or registered trademarks of HDMI Licensing LLC in the United States and other countries.

Where creation of derivative works, modifications or copies of this NCR copyrighted documentation is permitted under the terms and conditions of an agreement you have with NCR, NCR's copyright notice must be included.

It is the policy of NCR Corporation (NCR) to improve products as new technology, components, software, and firmware become available. NCR, therefore, reserves the right to change specifications without prior notice.

All features, functions, and operations described herein may not be marketed by NCR in all parts of the world. In some instances, photographs are of equipment prototypes. Software screen images are representative, and in some cases, may not match a customer's installed software exactly. Therefore, before using this document, consult with your NCR representative or NCR office for information that is applicable and current.

To maintain the quality of our publications, we need your comments on the accuracy, clarity, organization, and value of this book. Please use the link below to send your comments.

Email: [FD230036@ncr.com](mailto:FD230036@ncr.com)

Copyright © 2014—2020

By NCR Corporation

Global Headquarters

864 Spring St. NW

Atlanta, GA 30308

United States

All Rights Reserved

## Revision Record

Issue	Date	Remarks
A	Apr 2014	First Issue
B	Aug 2019	Added to IP Kit Repository site with HTML version.
C	Feb 2020	Updated Kit Contents.

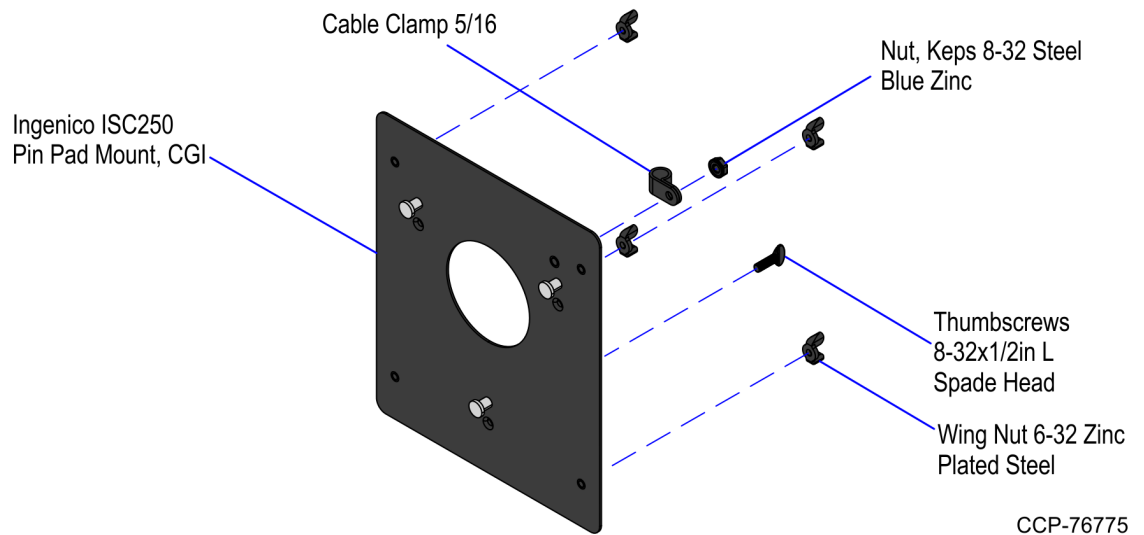
# PIN Pad Mount (Ingenico ISC250)

This publication provides procedures for installing a PIN Pad Mount for an Ingenico ISC250 device on an NCR SelfServ™ Checkout (7350) and NCR FastLane SelfServ™ Checkout (7346) units.



**Note:** The Ingenico ISC250 device is supplied by the customer.

## Kit Contents



Part Number	Description
497-0527457	7350-K421Ingenico ISC250 Pinpad Mount, CG1
* 006-8604575	Clamp, Cable, 5/16
497-0520271	Ingenico ISC250 Pinpad Mount, CG1
007-4581603	Nut - Wing, 6-32 Zinc Plated Steel (4 pcs)
006-8611143	Nut Keps, 8-32, Steel, Blue Zinc
006-8615165	Thumbscrew-#8 - 32 x 1/2 in L, Spade Head
* 497-0423108	Instructions-Kit (Reference Sheet)

\* Items marked with an asterisk are not called out on the image.

## Required Tools

The following tools are required for installing the Medium Tri-Light Pole.

- Phillips Screwdriver #2
- #8-32 Nut Driver



**Note:** Use a magnetized screwdriver to easily handle the screws.

## Installation Procedures

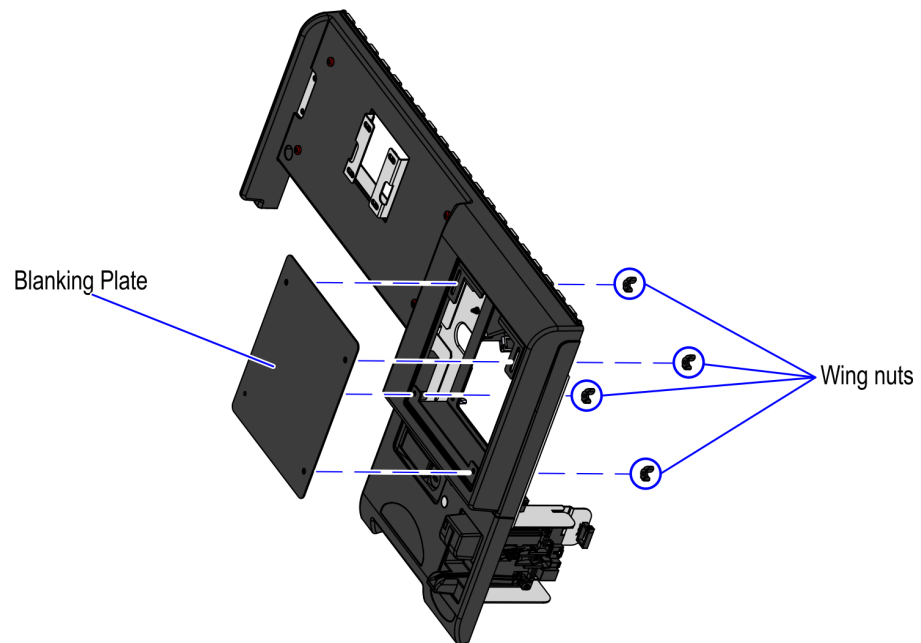
Depending on the SelfServ Checkout unit, refer to either of the following procedures:

- [Installing Ingenico ISC250 PIN Pad Mount on 7350 Unit](#) on the next page.
- [Installing Ingenico ISC250 PIN Pad Mount on 7346 Unit](#) on page 10.

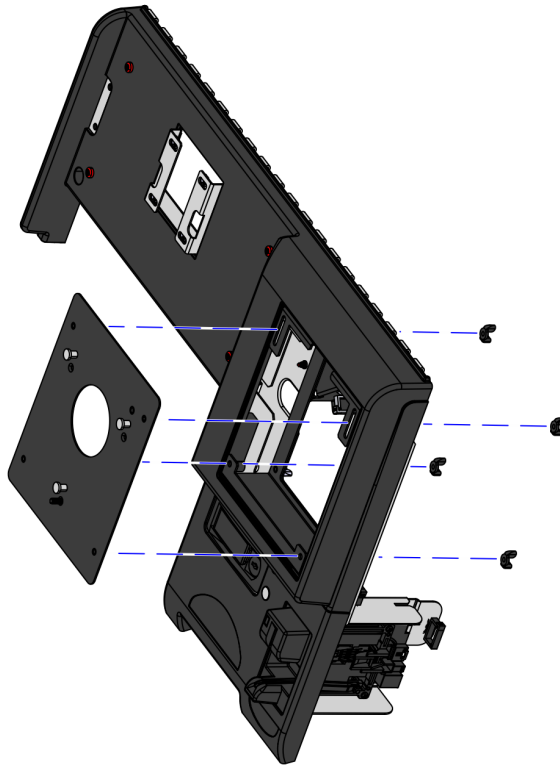
## Installing Ingenico ISC250 PIN Pad Mount on 7350 Unit

To install the Ingenico ISC250 PIN Pad Mount in an NCR SelfServ™ Checkout (7350) unit, follow these steps:

1. Turn off the NCR SelfServ Checkout software and hardware systems.
2. Open the Upper Cabinet Door. For more information, refer to [Opening the Upper Cabinet Door](#) on page 9.
3. Remove the four (4) wing nuts securing the No PIN Pad Blanking Plate to the Upper Cabinet Door.



4. Align the PIN Pad Mount to the PIN Pad slot on the Upper Cabinet Door and then secure using four (4) wing nuts. Ensure that the orientation of the PIN Pad mount is the same with the image shown below.



CCP-76789

5. Install the PIN Pad by doing the following:



**Note:** The Ingenico ISC250 PIN Pad is not included in the 7350-K421 *PIN Pad Mount Kit*. For more information, contact an NCR Customer Service Representative.

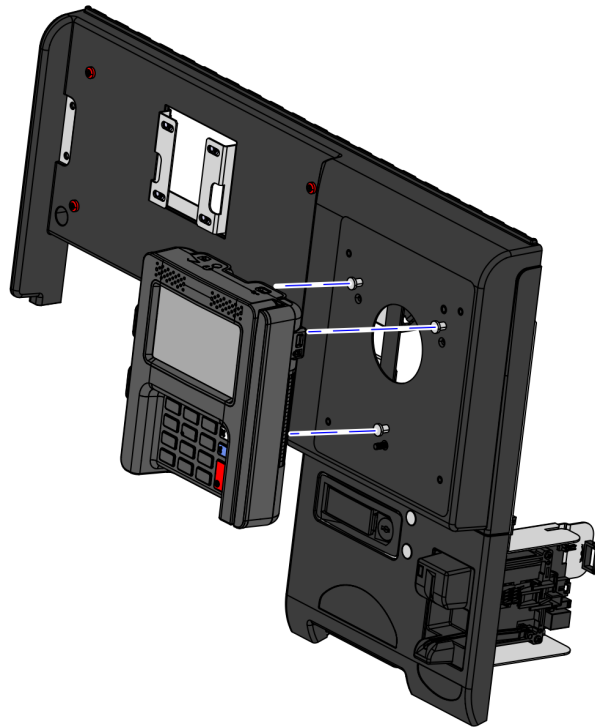
- a. Install the PIN Pad on the PIN Pad Mount. For more information, refer to [Installing Ingenico ISC250 PIN Pad](#) on the next page.
- b. Route the PIN Pad cables. For more information, refer to [Routing PIN Pad Cables](#) on page 7.



## Installing Ingenico ISC250 PIN Pad

To install the Ingenico ISC250 PIN Pad on the PIN Pad Mount, follow these steps:

1. Install the PIN Pad Mount to the NCR SelfServ™ Checkout unit, if necessary. For more information, refer to [Installing Ingenico ISC250 PIN Pad Mount on 7350 Unit](#) on page 4.
2. Connect the data and power cables to the PIN Pad and then insert the cables through the hole on the PIN Pad mount.
3. Mount the PIN Pad on the PIN Pad mount by hooking the keyholes to the mushroom studs on the mount, as shown in the image below.



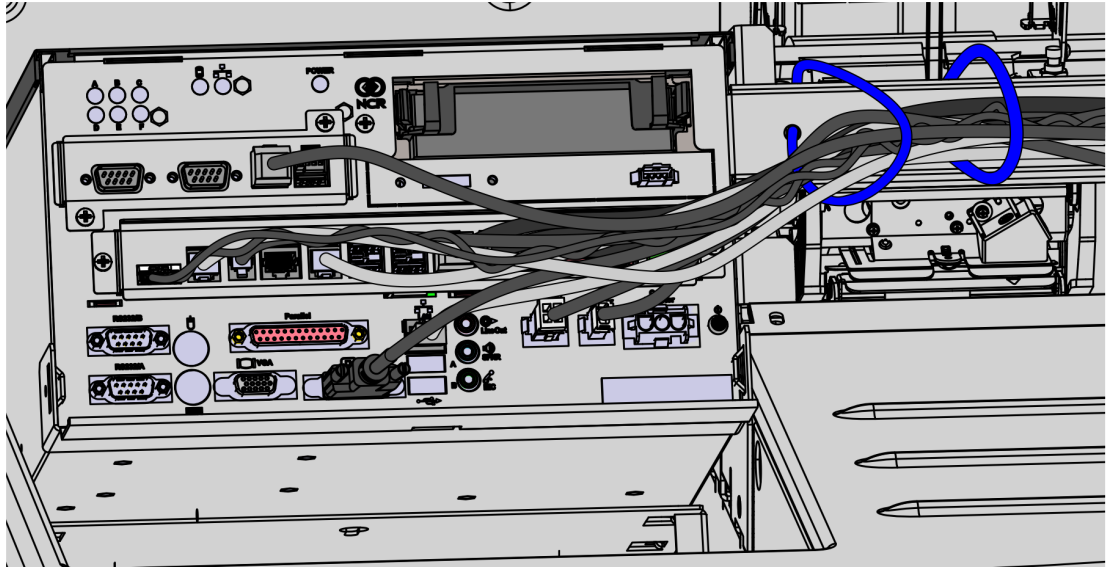
CCP-76790

4. Route the PIN Pad cables. For more information, refer to [Routing PIN Pad Cables](#) on the facing page.

## Routing PIN Pad Cables

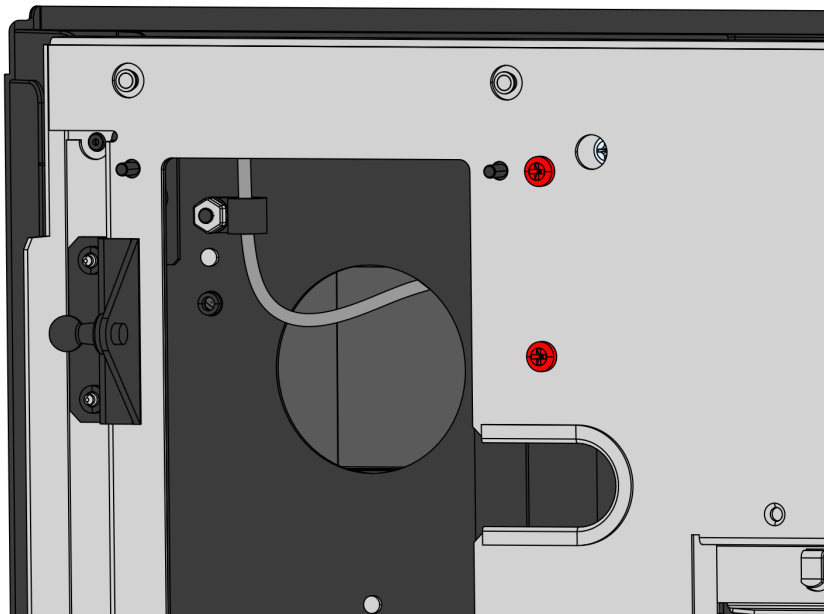
To route the PIN Pad cables, follow these steps:

1. Install the PIN Pad, if necessary. For more information, refer to [Installing Ingenico ISC250 PIN Pad](#) on the previous page.
2. Tilt the E-Box Bracket forward to easily access the cables.



CCP-72635

3. Secure the cables on the device by doing the following:
  - a. From the PIN Pad mount, secure the cables on the cable clamp.



CCP-76791

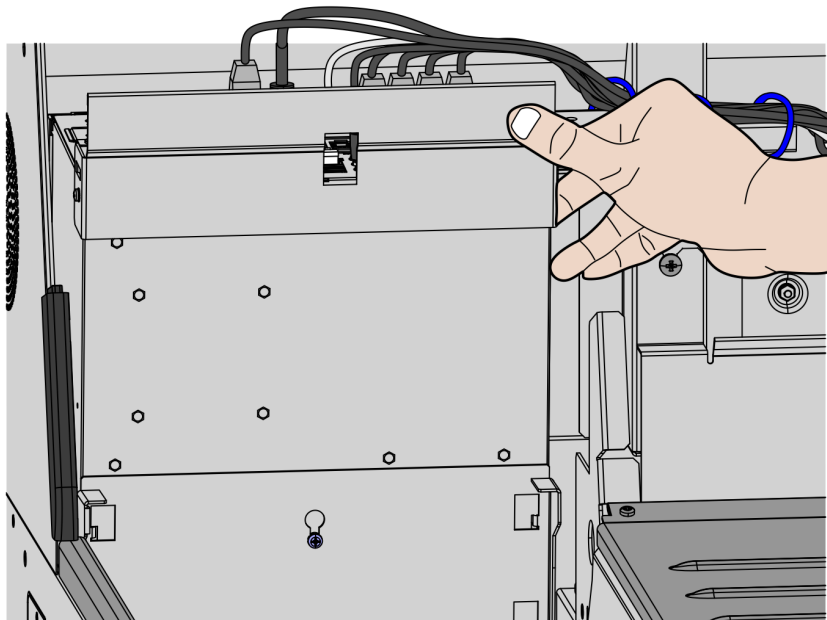
- b. Continue routing the cables going to the core and then secure to the main cable bundle.
4. Connect the cables to the following destinations:

PIN Pad	Destination
Data Cable	RS232/B
Power Cable	Power Strip

5. Raise and push the E-Box back to the closed position.



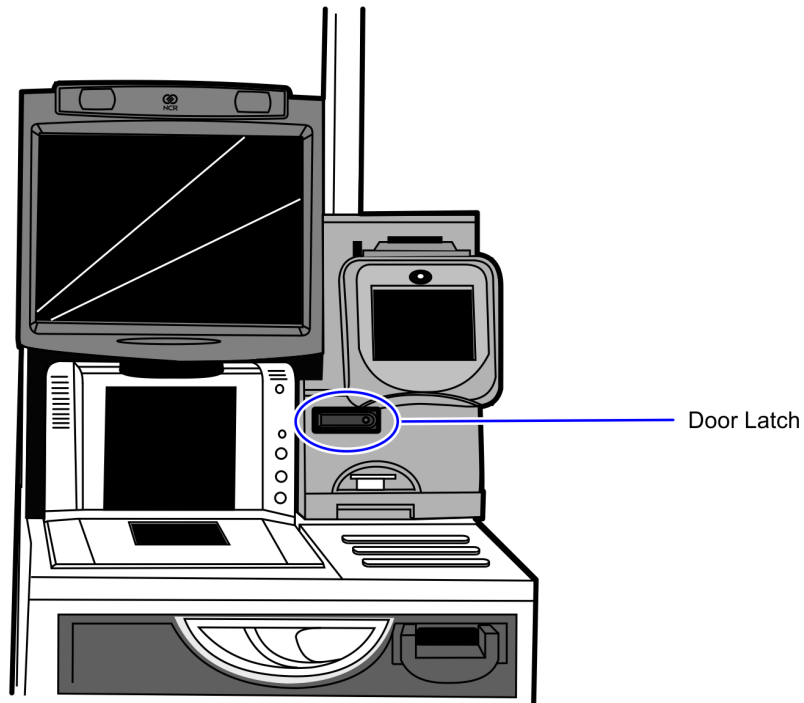
**Note:** Ensure that the cables are not caught by the rotation of the E-Box.



## Opening the Upper Cabinet Door

To open the Upper Cabinet Door, follow these steps:

1. Insert key into lock on door latch and turn key counterclockwise.

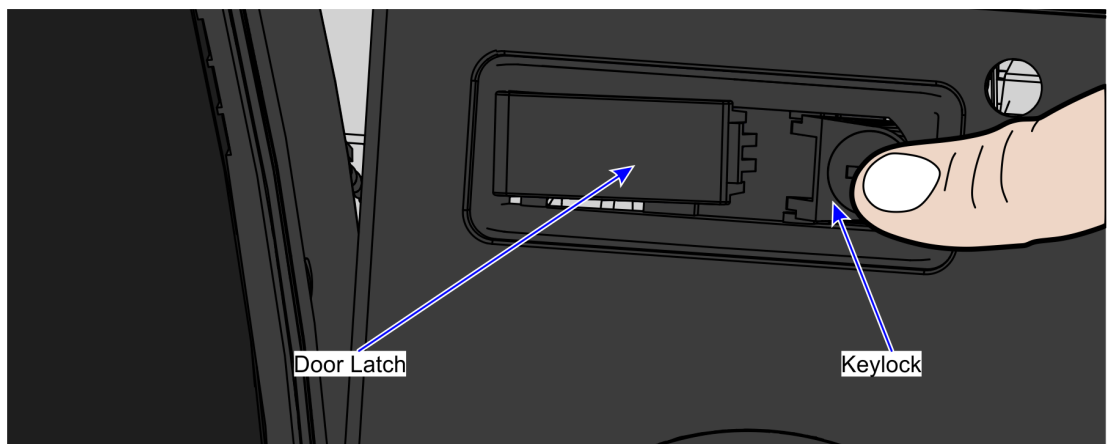


CCP-70311

2. Remove key and then press the keylock to unlatch the door.



**Caution:** Ensure that the door is pushed down while lock is pressed because the door will automatically open.



CCP-72718

3. Lift the door open.

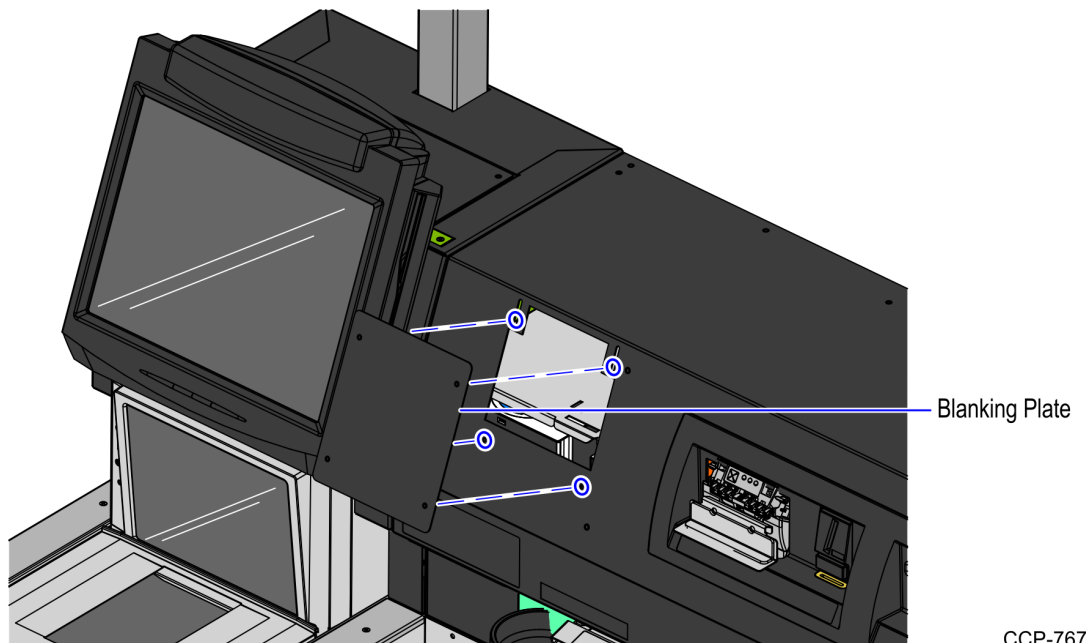
## Installing Ingenico ISC250 PIN Pad Mount on 7346 Unit

To install the Ingenico ISC250 PIN Pad Mount in an NCR FastLane SelfServ™ Checkout (7346) unit, follow these steps:



**Note:** For more information about servicing the NCR FastLane SelfServ™ Checkout (7346) unit, refer to *NCR FastLane SelfServ™ Checkout (7346) Hardware Service Guide (B005-0000-1705)*.

1. Turn off the NCR SelfServ Checkout software and hardware systems.
2. Open the Payment Module Door by doing the following:
  - a. Insert key into lock on door handle and turn key to the right.
  - b. Lift and turn the handle counterclockwise.
  - c. Lift the Payment Module Door open.
3. Remove the four (4) wing nuts securing the No PIN Pad Blanking Plate to the Payment Module Door.

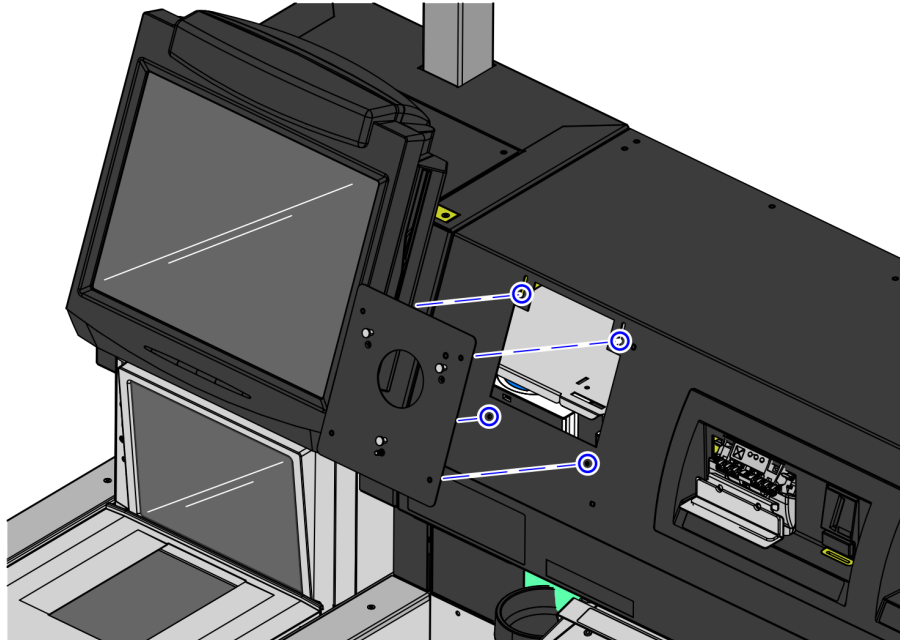


CCP-76793

4. Align the PIN Pad Mount to the PIN Pad slot on the Payment Module Door and then secure using four (4) wing nuts, as shown in the image below.



**Note:** Ensure that the orientation of the PIN Pad mount is the same with the image shown below.



CCP-76794

5. Install the PIN Pad on the PIN Pad Mount. For more information about installing a PIN Pad device in an NCR FastLane SelfServ™ Checkout (7346) unit, refer to *NCR FastLane SelfServ™ Checkout (7346) Hardware Service Guide (B005-0000-1705)*.



**Note:** The Ingenico ISC250 PIN Pad is not included in the 7350-K421 PIN Pad Mount Kit. For more information, contact an NCR Customer Service Representative.

6. Close and lock the Payment Module Door.