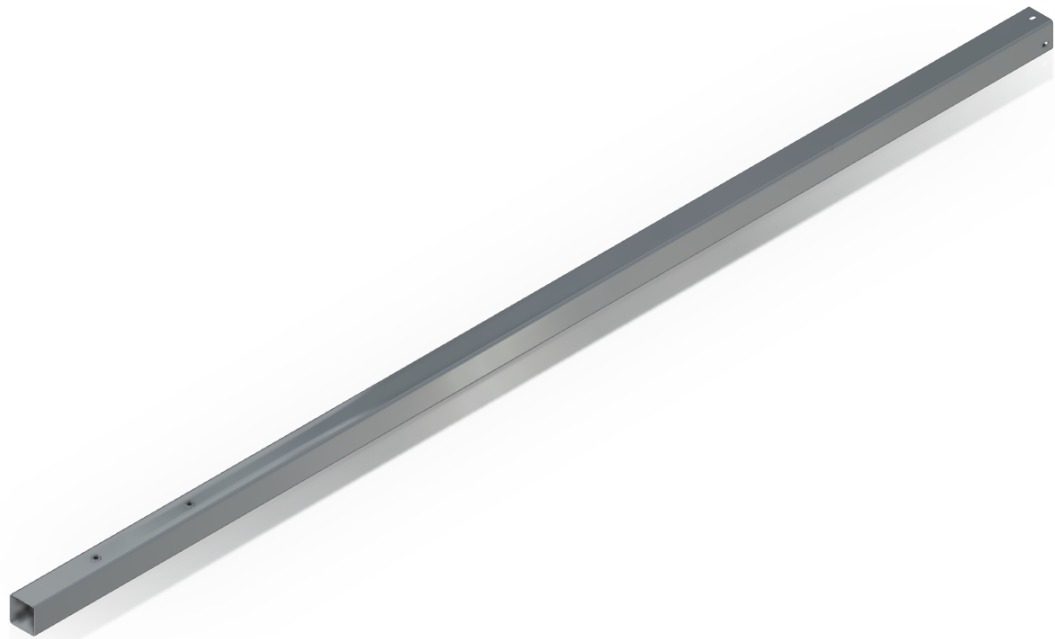


# Kit Instructions

Medium Tri-Light Pole (Walmart)



7350-K169  
Issue B



---

The product described in this document is a licensed product of NCR Corporation.

NCR is a registered trademark of NCR Corporation. NCR SelfServ™ Checkout is a trademark of NCR Corporation in the United States and/or other countries. Other product names mentioned in this publication may be trademarks or registered trademarks of their respective companies and are hereby acknowledged.

The terms HDMI and HDMI High-Definition Multimedia Interface, and the HDMI Logo are trademarks or registered trademarks of HDMI Licensing LLC in the United States and other countries.

Where creation of derivative works, modifications or copies of this NCR copyrighted documentation is permitted under the terms and conditions of an agreement you have with NCR, NCR's copyright notice must be included.

It is the policy of NCR Corporation (NCR) to improve products as new technology, components, software, and firmware become available. NCR, therefore, reserves the right to change specifications without prior notice.

All features, functions, and operations described herein may not be marketed by NCR in all parts of the world. In some instances, photographs are of equipment prototypes. Software screen images are representative, and in some cases, may not match a customer's installed software exactly. Therefore, before using this document, consult with your NCR representative or NCR office for information that is applicable and current.

To maintain the quality of our publications, we need your comments on the accuracy, clarity, organization, and value of this book. Please use the link below to send your comments.

Email: [FD230036@ncr.com](mailto:FD230036@ncr.com)

Copyright © 2017–2019

By NCR Corporation

Global Headquarters

864 Spring St. NW

Atlanta, GA 30308

United States

All Rights Reserved

## Revision Record

Issue	Date	Remarks
A	Feb 2017	First Issue
B	Aug 2019	Added to IP Kit Repository site with HTML version.

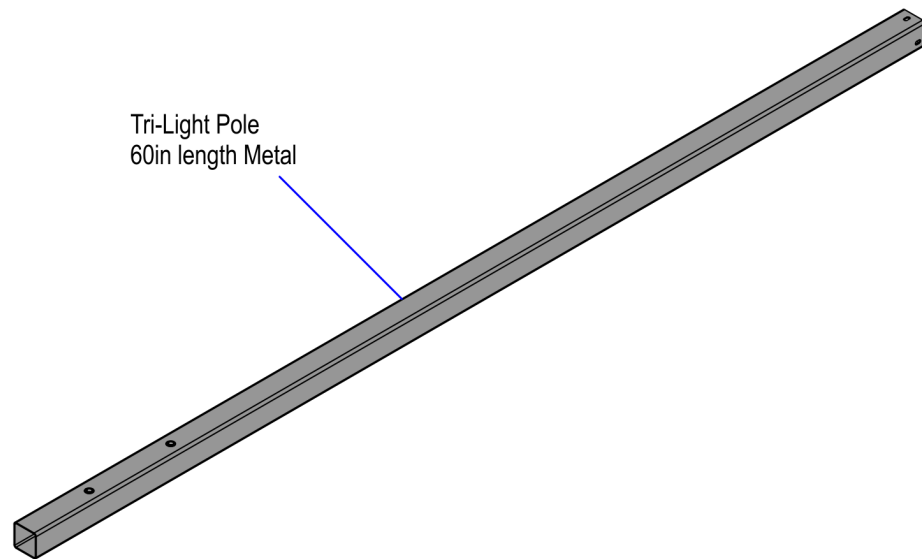
---

# Medium Tri-Light Pole (Walmart)

---

This publication provides procedures for replacing the existing Tri-Light Pole of an NCR SelfServ™ Checkout (7350) unit with a Medium Tri-Light Pole.

## Kit Contents



CCP-76758

Part Number	Description
497-0515270	7350-K169 Kit - Medium Tri-Light Pole - WM SCER
497-0514993	Tri-Light Pole 60 inch length (Metal)
* 497-0423108	Instructions Kit (Reference Sheet)

\* Items marked with an asterisk are not called out on the image.

## Required Tools

The following tools are required for installing the Medium Tri-Light Pole.

- Phillips Screw #2
- $\frac{11}{32}$  in Nut Driver

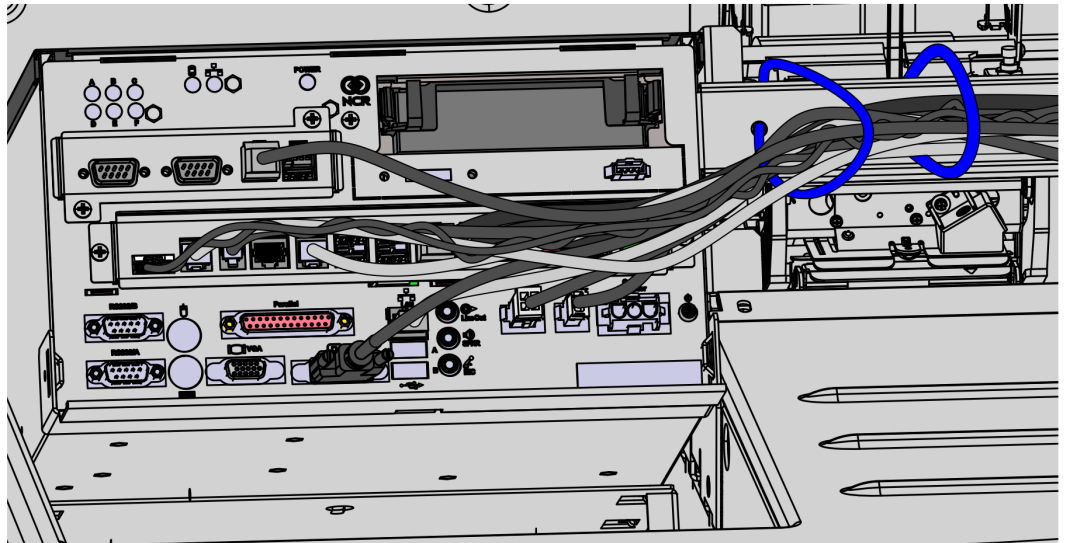


**Note:** Use a magnetized screwdriver to easily handle the screws.

# Installation Procedure

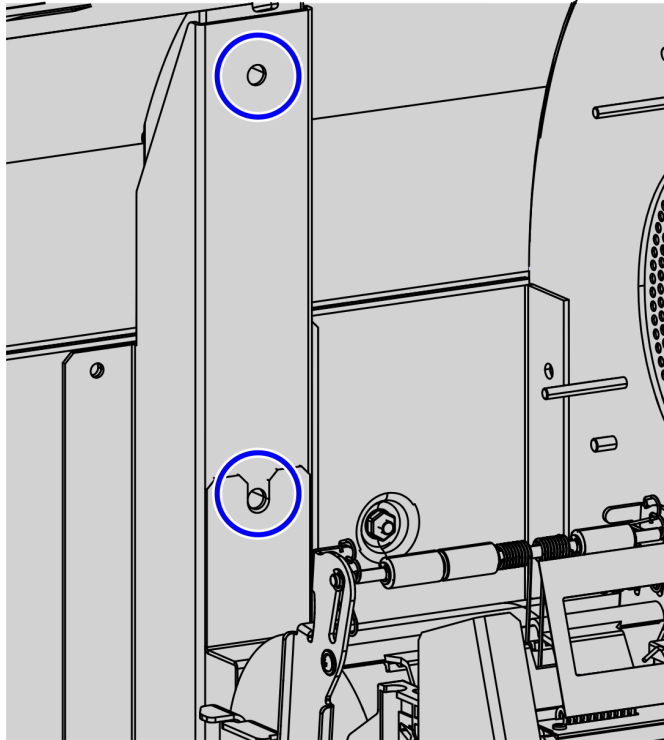
To install a Medium Tri-Light Pole, follow these steps:

1. Turn off the NCR SelfServ Checkout software and hardware systems.
2. Remove the Tri-Light/Lane Light Assembly from the pole and then set aside. For more information, refer to [Removing R5 Tri-Light/Lane Light Assembly](#) on page 7.
3. Open the Upper Cabinet Door. For more information, refer to [Opening the Upper Cabinet Door](#) on page 9.
4. Access the pole attachments by doing the following:
  - a. Remove and set aside the Scanner/Scale. For more information, refer to [Removing Scanner/Scale](#) on page 10.
  - b. Tilt the E-Box Bracket forward to easily access the cables.



CCP-72635

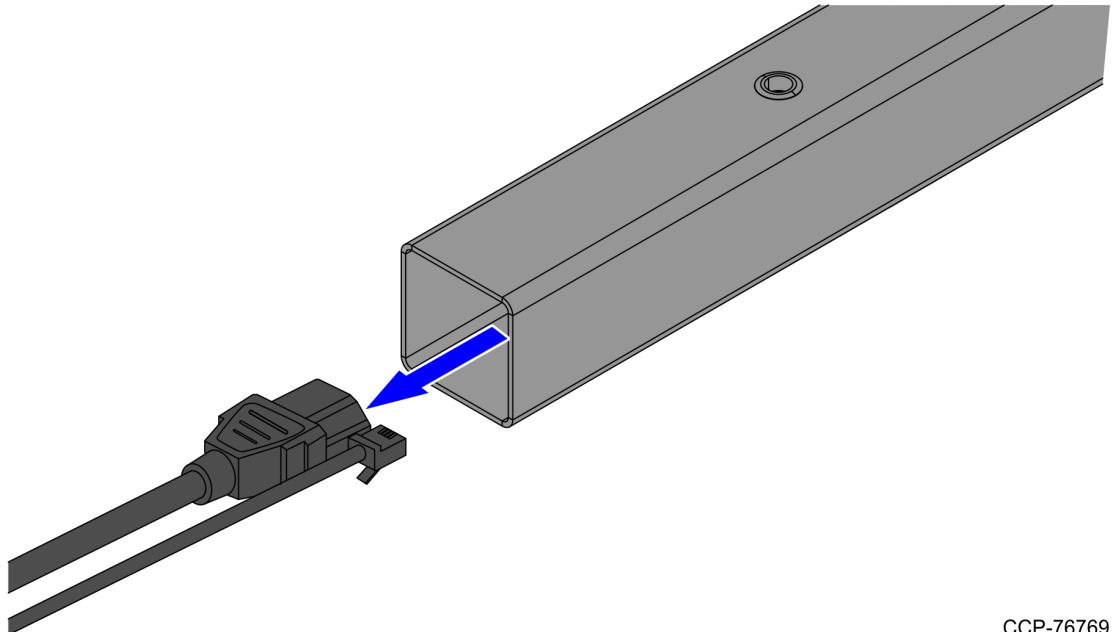
- Remove and set aside two (2) screws securing the existing Tri-Light pole to the core hood.



CCP-72722

- Lift the Tri-Light pole out of the unit.
- Pull the two (2) cables out of the pole.

 **Caution:** Ensure that the cables are not dropped back into the unit.



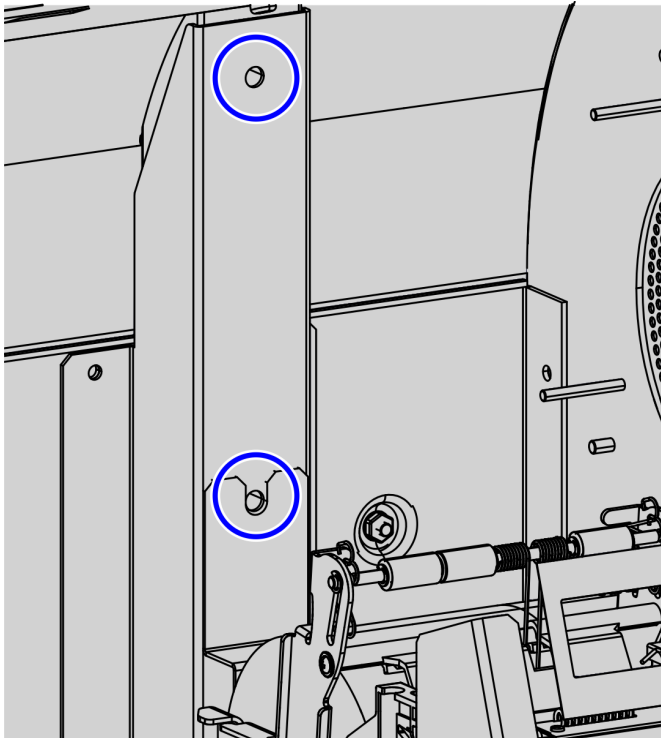
CCP-76769

8. Insert the cables into the new Medium Tri-Light pole.



**Tip:** To easily route cable extenders through the pole, first attach a weight (for example, a large bolt) to a long piece of string and drop the weighted end of the string through the Tri-Light/Lane Light pole (starting at the top-end). Once the string is threaded through the pole, tie the non-weighted end of the string around the cable connector and then pull the cable extender through the pole.

9. Install the Tri-Light/Lane Light assembly. For more information, refer to [Installing R5 Tri-Light/Lane Light Assembly](#) on page 12.
10. Insert and secure the Medium Tri-Light Pole to the core hood using two (2) screws.

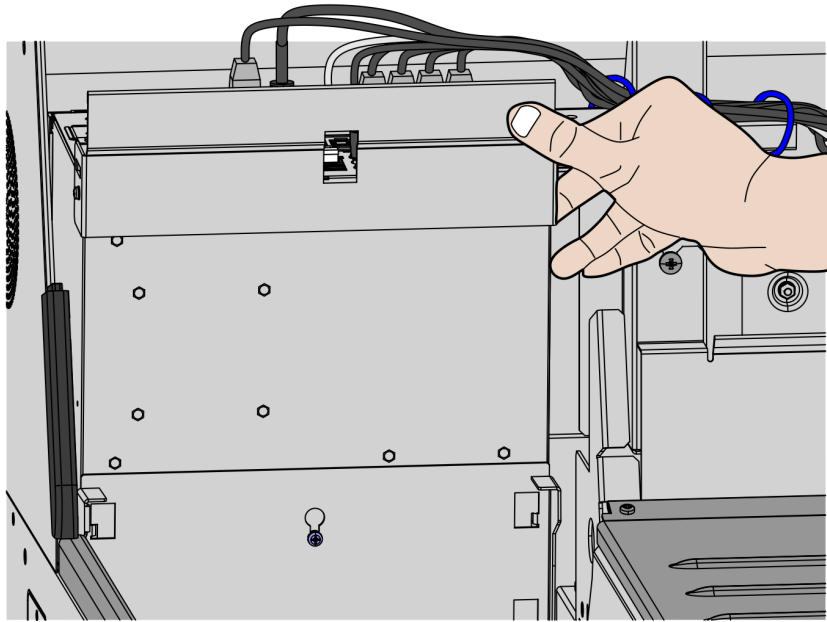




11. Raise and push the E-Box back to the closed position.



**Note:** Ensure that the cables are not caught by the rotation of the E-Box.



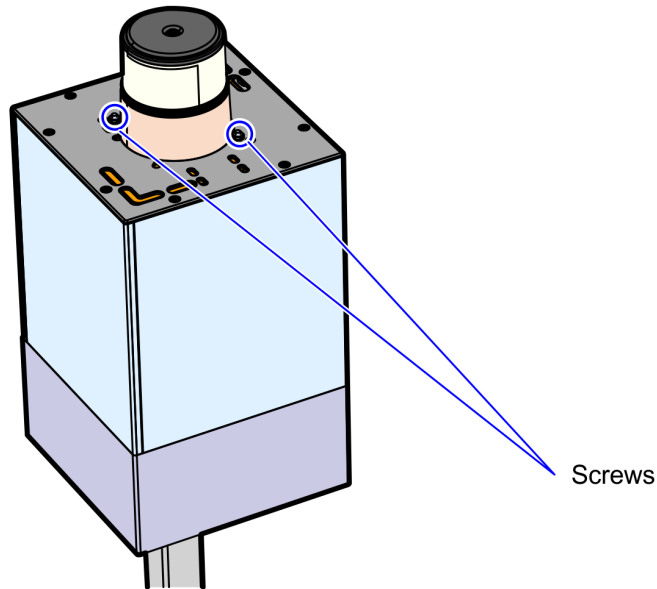
CCP-76744

12. Install the Scanner/Scale. For more information, refer to [Installing the Scanner/Scale](#) on page 14.
13. Close the Upper Cabinet Door.

## Removing R5 Tri-Light/Lane Light Assembly

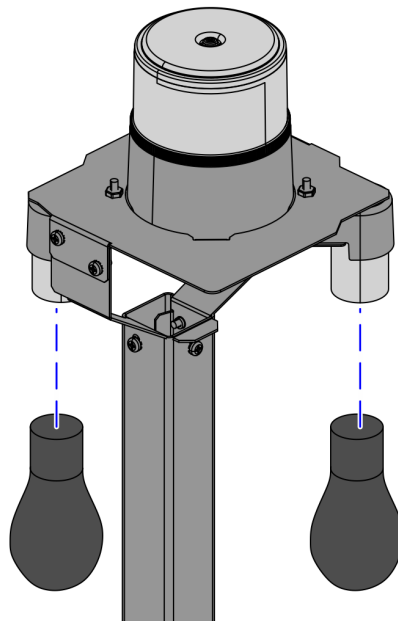
To remove the R5 Tri-Light/Lane Light assembly, follow these steps:

1. Ensure that the NCR SelfServ Checkout software and hardware systems are turned off. For more information, refer to the "Disconnecting Power" section of the [NCR SelfServ™ Checkout \(7350\) Hardware Installation Guide \(B005-0000-1826\)](#).
2. Remove the two (2) nuts securing the Lane Light cover.



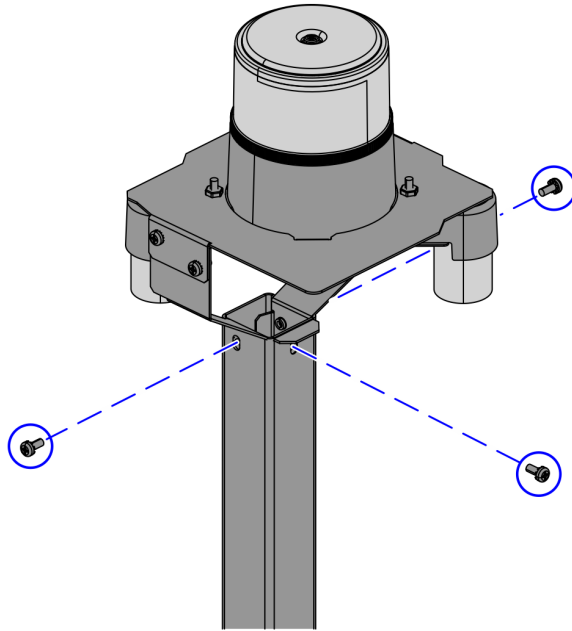
CCP-73412

3. Lift the Lane Light cover off the assembly.
4. Unscrew the two (2) CFL/LED bulbs by turning each bulb counter-clockwise.



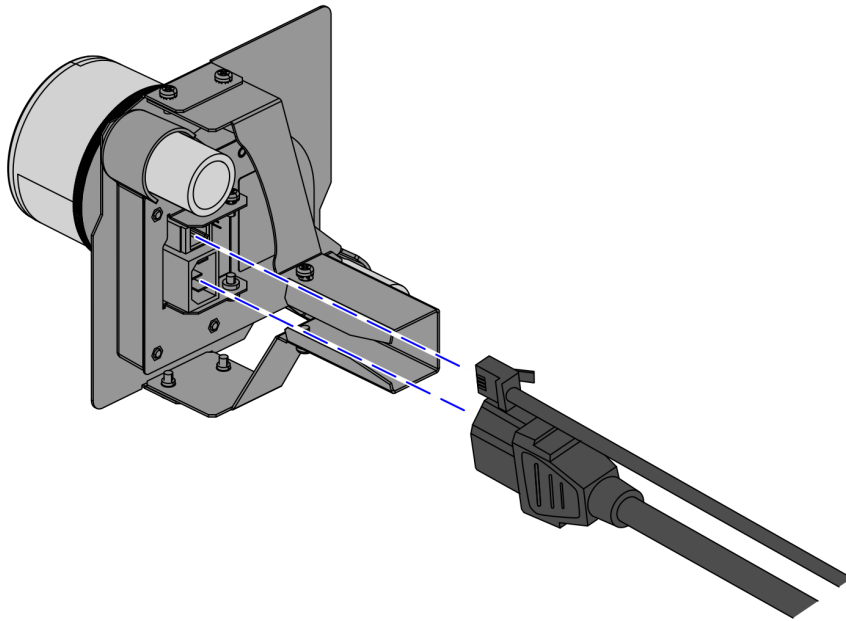
CCP-76773

5. Remove and set aside the three (3) screws securing the Tri-Light adapter to the pole.



CCP-76774

6. Disconnect the power and data cables from the Tri-Light assembly.

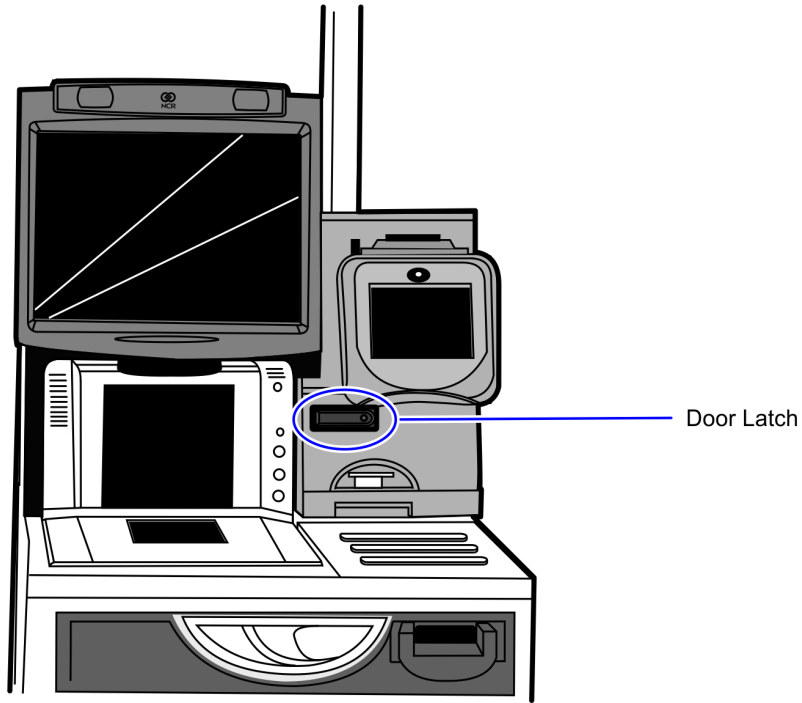


CCP-76771

## Opening the Upper Cabinet Door

To open the Upper Cabinet Door, follow these steps:

1. Insert key into lock on door latch and turn key counterclockwise.

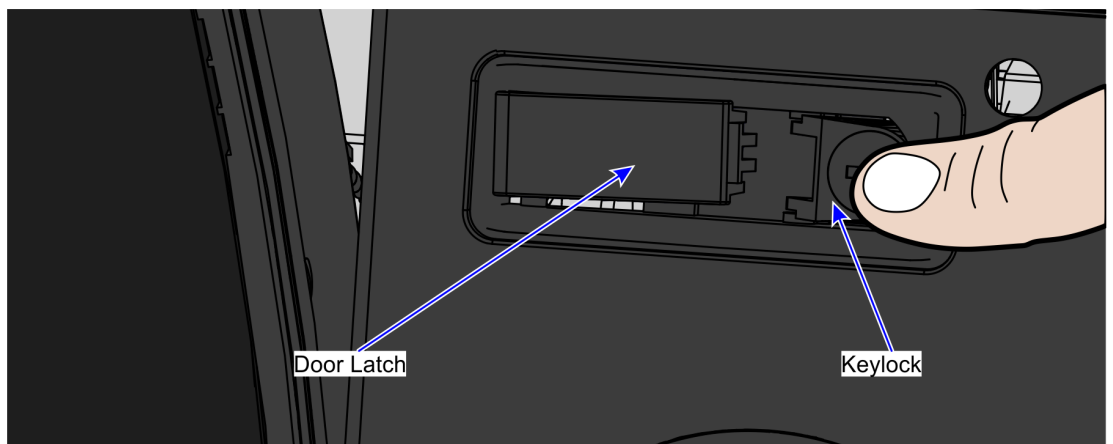


CCP-70311

2. Remove key and then press the keylock to unlatch the door.



**Caution:** Ensure that the door is pushed down while lock is pressed because the door will automatically open.



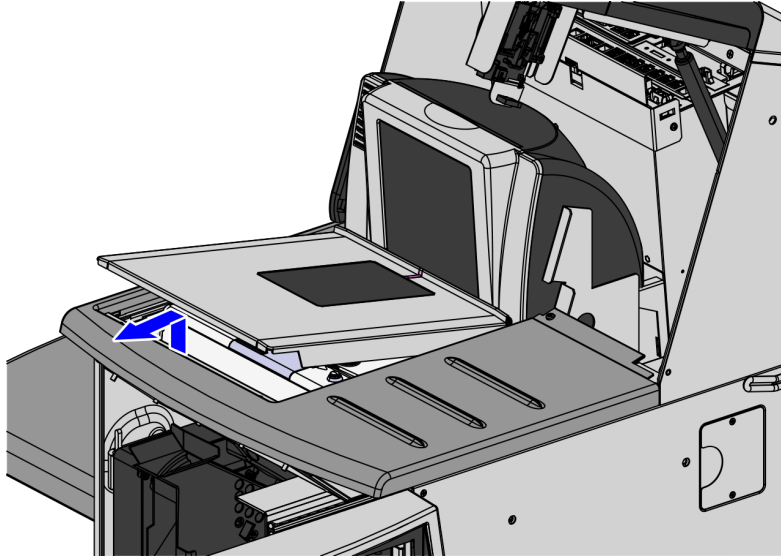
CCP-72718

3. Lift the door open.

## Removing Scanner/Scale

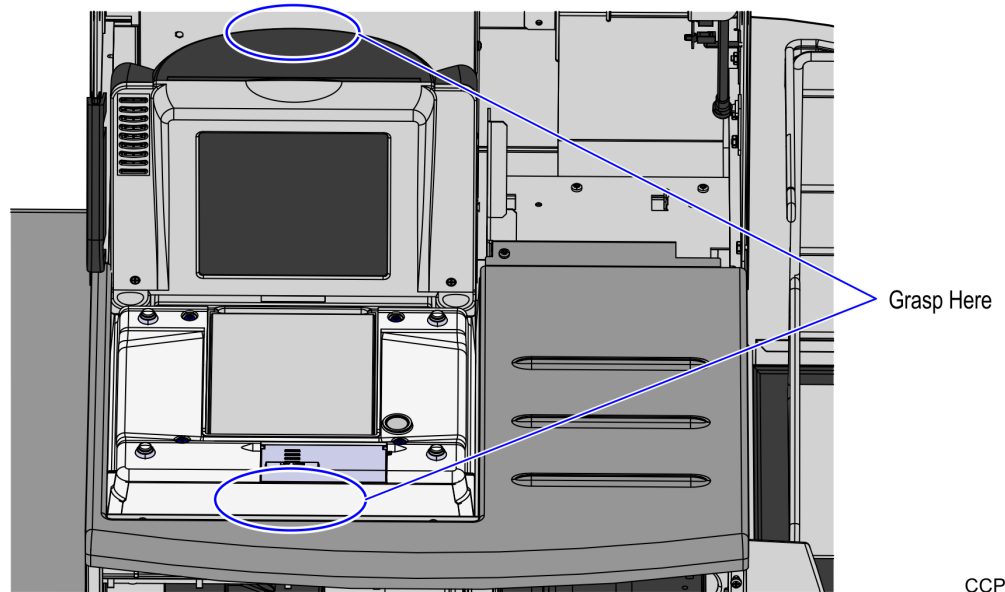
To remove the Scanner/Scale, follow these steps:

1. Ensure that the Upper Cabinet Door is open. For more information, refer to [Opening the Upper Cabinet Door](#) on the previous page.
2. Lift the Scale Plate from the Scanner.



CCP-76754

3. Do the following to remove the Scanner/Scale from the scanner bucket area:
  - a. Grasp the front of the Scanner and lift up.
  - b. Grasp the back of the Scanner and slide scanner out of bucket area.



CCP-76320

4. Disconnect the Interface/Power Cable from the USB connector on the Scanner.

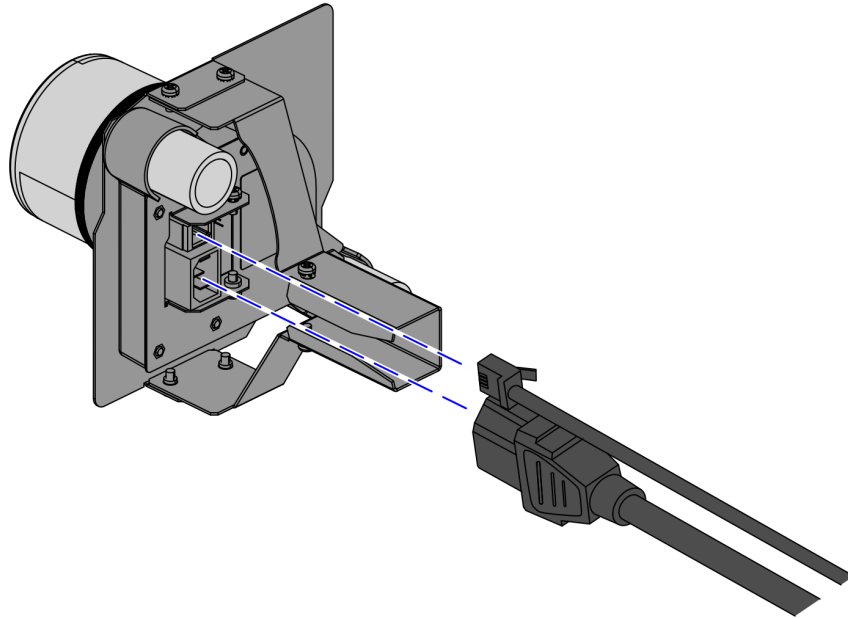


**Note:** If the Scanner/Scale comes with Sensormatic® features, remove power from the Sensormatic® Controller before removing the Sensormatic® Interface cable and then apply power to the Sensormatic® Controller after reconnecting all Sensormatic® cables.

## Installing R5 Tri-Light/Lane Light Assembly

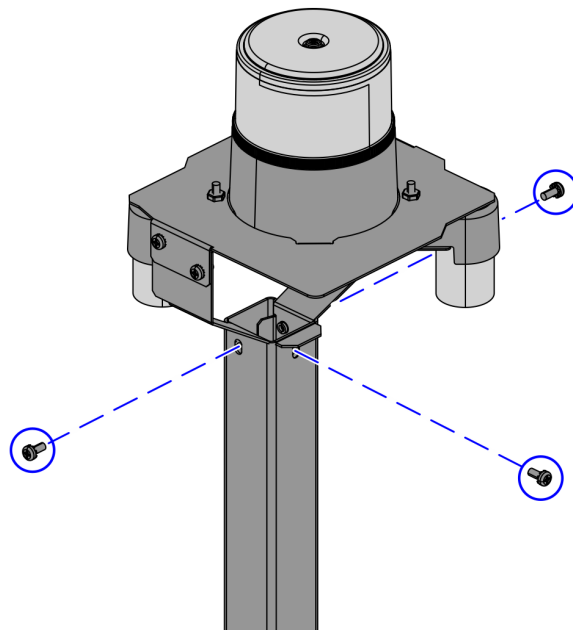
To install the R5 Tri-Light/Lane Light assembly, follow these steps:

1. Remove the existing Tri-Light/Lane Light assembly, if necessary. For more information, refer to [Removing R5 Tri-Light/Lane Light Assembly](#) on page 7.
2. Connect the power and data cables to the Tri-Light assembly.



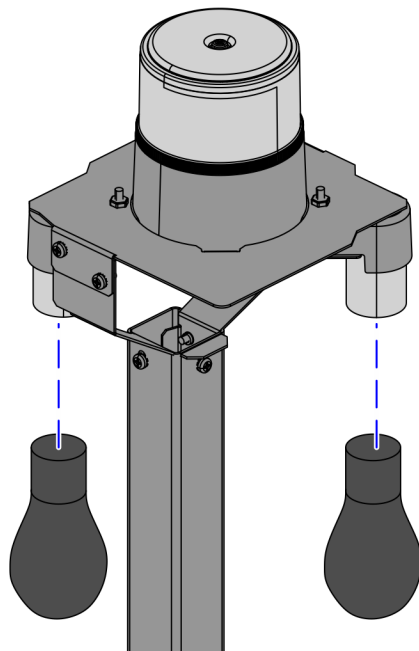
CCP-76771

3. Install the Tri-Light adapter to the Medium Tri-Light Pole using three (3) screws, as shown in the image below.



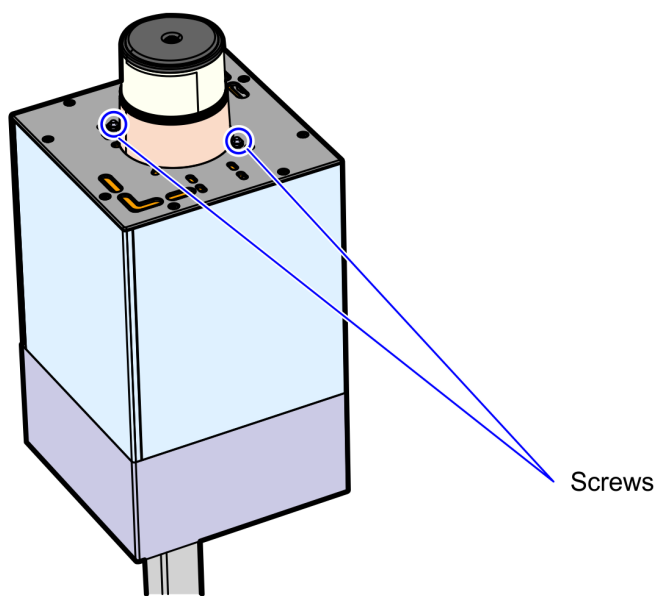
CCP-76774

4. Install the CFL/LED bulbs by turning it clockwise.



CCP-76773

5. Install the Lane Light cover to the Tri-Light assembly using two (2) nuts.



CCP-73412



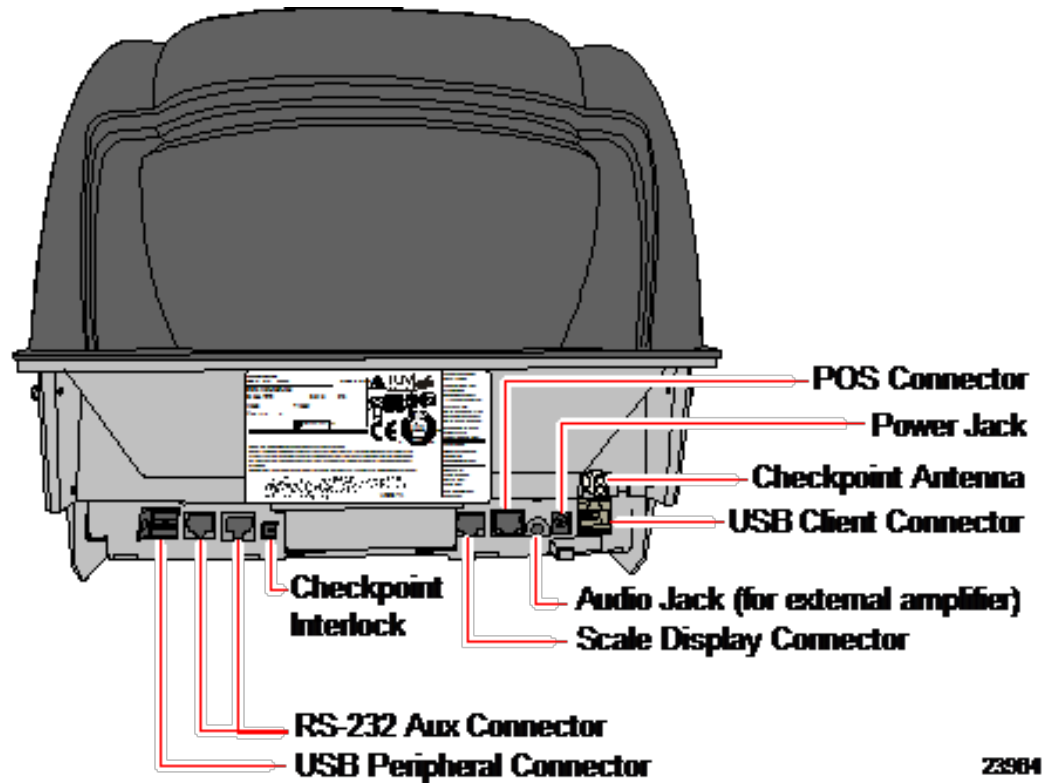
## Installing the Scanner/Scale

To install the Scanner/Scale, follow these steps:

1. Connect the Interface/Power Cable to the USB connector of the Scanner/Scale.



**Note:** The NCR RealPOS High Performance Scanner/Scale (7878) uses only one cable for both Power and Interface connection.



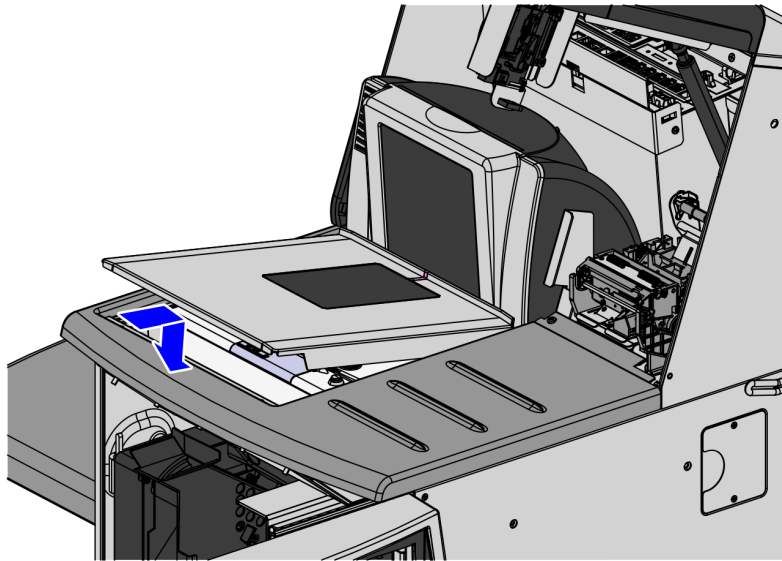
2. Grasp the Scanner/Scale by its handles and lower it into the checkstand cutout.



**Caution:** Be careful not to damage any of the cables.

3. Place the back of Scanner/Scale on the two supports located on the E-Box mount.
4. Lower the Scanner/Scale unto the scanner bucket area.

5. Install the Scale Plate by placing it on top of the load cells.



CCP-76753



**Note:** It is important that the Scanner does not rock on its supports. Ensure that the Scanner is sitting on all four supports.

