

Kit Instructions

SCN85 Cash Acceptor Field Upgrade

7350-K112
Issue B



The product described in this document is a licensed product of NCR Corporation.

NCR is a registered trademark of NCR Corporation. NCR SelfServ™ Checkout is a trademark of NCR Corporation in the United States and/or other countries. Other product names mentioned in this publication may be trademarks or registered trademarks of their respective companies and are hereby acknowledged.

The terms HDMI and HDMI High-Definition Multimedia Interface, and the HDMI Logo are trademarks or registered trademarks of HDMI Licensing LLC in the United States and other countries.

Where creation of derivative works, modifications or copies of this NCR copyrighted documentation is permitted under the terms and conditions of an agreement you have with NCR, NCR's copyright notice must be included.

It is the policy of NCR Corporation (NCR) to improve products as new technology, components, software, and firmware become available. NCR, therefore, reserves the right to change specifications without prior notice.

All features, functions, and operations described herein may not be marketed by NCR in all parts of the world. In some instances, photographs are of equipment prototypes. Therefore, before using this document, consult with your NCR representative or NCR office for information that is applicable and current.

To maintain the quality of our publications, we need your comments on the accuracy, clarity, organization, and value of this book. Please use the link below to send your comments.

Email: FD230036@ncr.com

Copyright © 2017
By NCR Corporation
Duluth, GA U.S.A.
All Rights Reserved

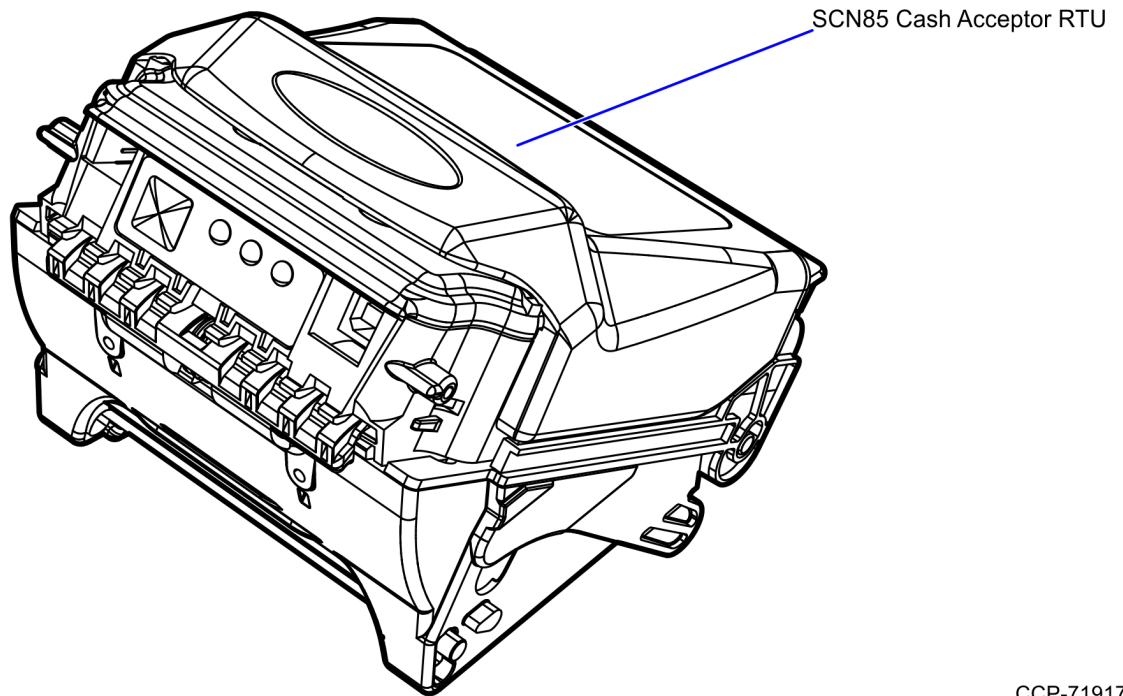
Revision Record

Issue	Date	Remarks
A	Jun 2017	First issue.
B	Aug 2017	Modified the Reprogram the Note Acceptor RTU as SCN85 Device pro- cedure.

SCN85 Cash Acceptor Field Upgrade

This kit provides instructions on how to upgrade the SC83 Cash Acceptor RTU in the NCR SelfServ™ Checkout (7350) with the SCN85 Cash Acceptor RTU.

Kit Contents



CCP-71917

Part Number	Description
497-0518495	7350-K112 SCN85 Cash Acceptor Field Upgrade
497-0499387	SCN85 Cash Acceptor RTU
* 497-0504199	Carton Pack, 554 Series, 12" x 10" x 6", Corrugated with Convuluted Foam

* Items marked with an asterisk are not called out on the image.

Installation Procedures

Installing SCN85 Cash Acceptor involves the following procedures:

1. [Remove the Note Acceptor](#) on the facing page.
2. [Install SCN85 Cash Acceptor](#) on page 6.
3. [Reprogram the Note Acceptor RTU as SCN85 Device](#) on page 8.

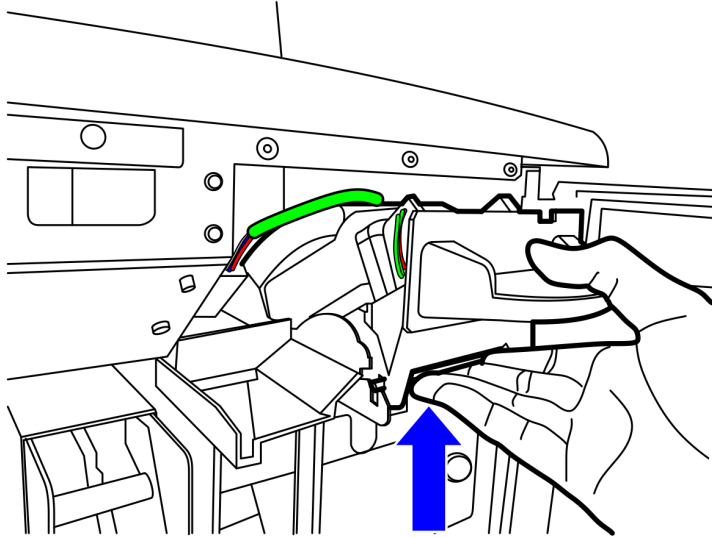


Note: Before you begin, shutdown and turn off the NCR SelfServ Checkout unit, then unlock and open the SelfServ Checkout door.

Remove the Note Acceptor

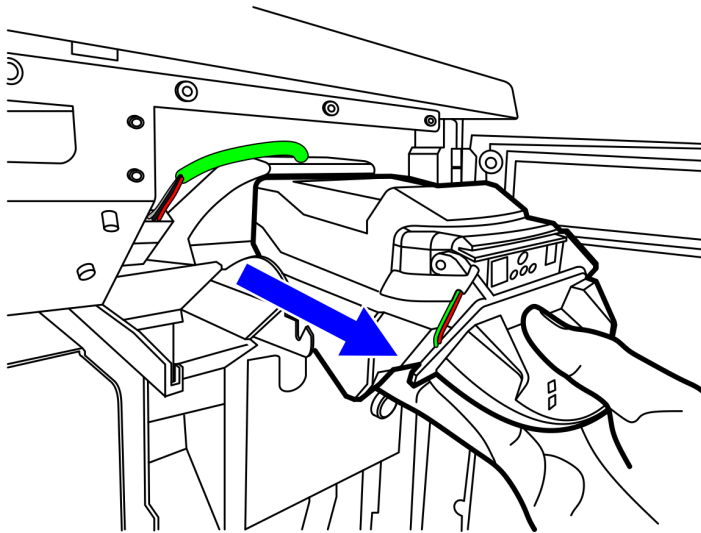
To remove the Note Acceptor from the Cash Acceptor Chassis, do the following:

1. Free the Acceptor Module from the Cash Acceptor Chassis by pushing up on the release lever.



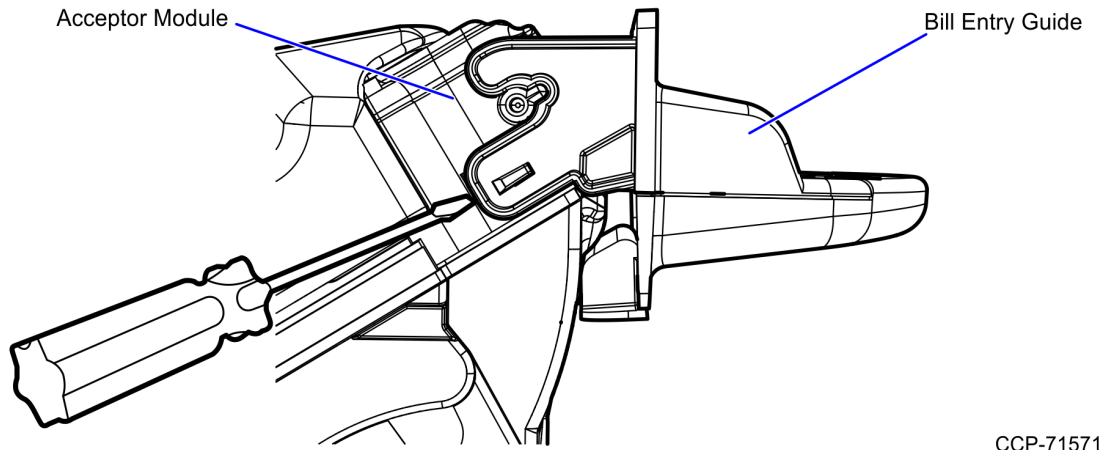
CCP-71565

2. Slide the Acceptor Module forward and out of the Cash Acceptor Chassis.



CCP-71566

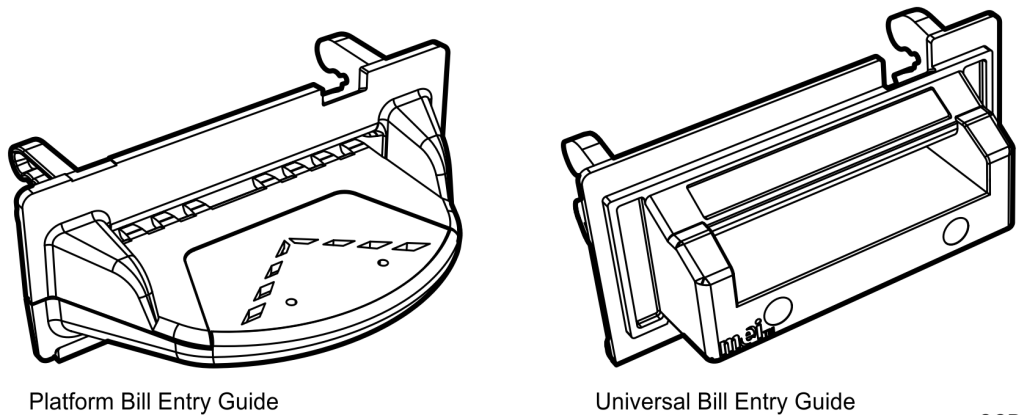
3. Remove the Bill Entry Guide by sliding a flat head screwdriver between the bill entry guide and the note acceptor module as shown below.



CCP-71571



Note: The image below show two types of bill entry guides.

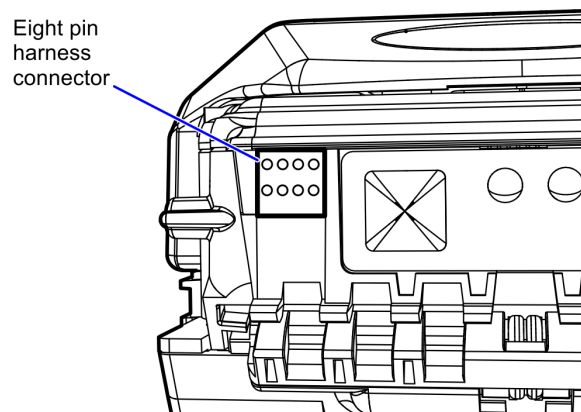


Platform Bill Entry Guide

Universal Bill Entry Guide

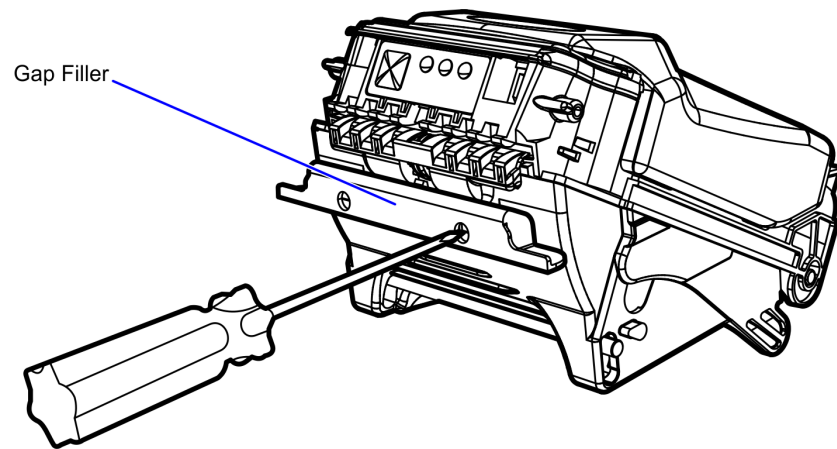
CCP-71568

- a. If the bill entry guide has lights, disconnect the eight pin harness connector from the Acceptor Module, as shown image below. Use a tweezer to remove it.



CCP-71572

- b. Remove the Gap Filler from the Note Acceptor using a Philips screwdriver.



CCP-71573



Note: Save the screws. These will be reused to install on the new SCN85 head.

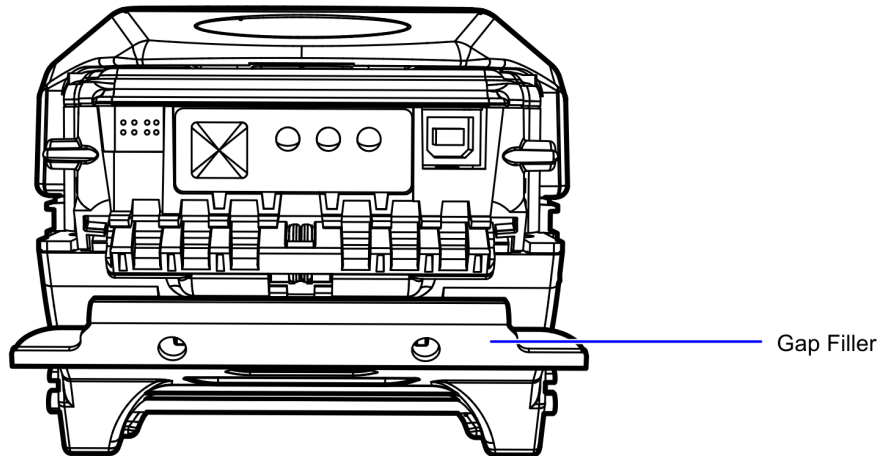
Install SCN85 Cash Acceptor

To install the SCN85 Cash Acceptor, do the following:

1. Remove the Note Acceptor from the Cash Acceptor Chassis. For more information, refer to [Remove the Note Acceptor](#) on page 3.
2. Install the Gap Filler on the new SCN85 head.

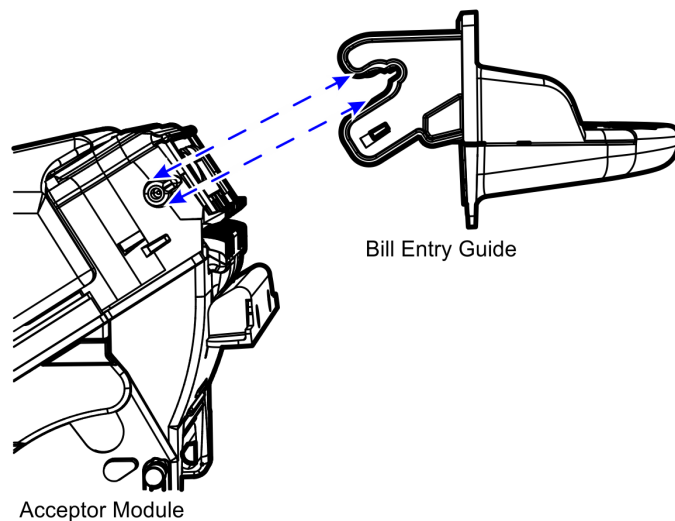


Note: Reuse the two screws from the SC83 Gap Filler.



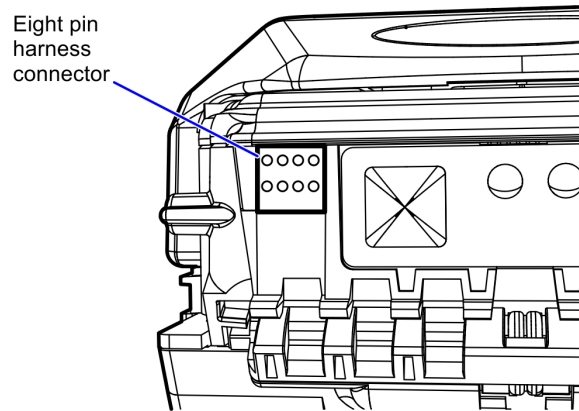
CCP-71574

3. Install the Bill Entry Guide on the SCN85 head by doing the following:
 - a. Slide the bill entry guide into the Acceptor Module until it locks into place. No screws required.



CCP-71575

- b. If the bill entry guide has lights, connect the eight pin harness connector to Acceptor Module, as shown below.

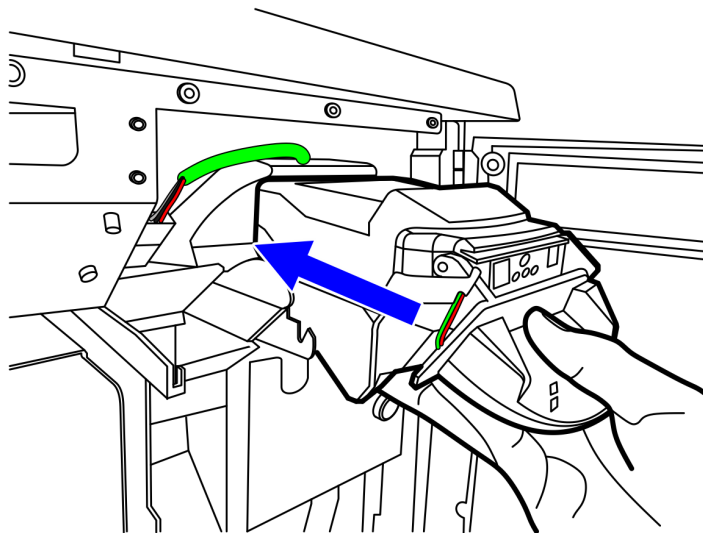


CCP-71572



Note: Ensure that the bill entry guide is aligned so that the machine door closes properly.

4. Insert the SCN85 head into the Cash Acceptor Chassis until the release lever latches in place.

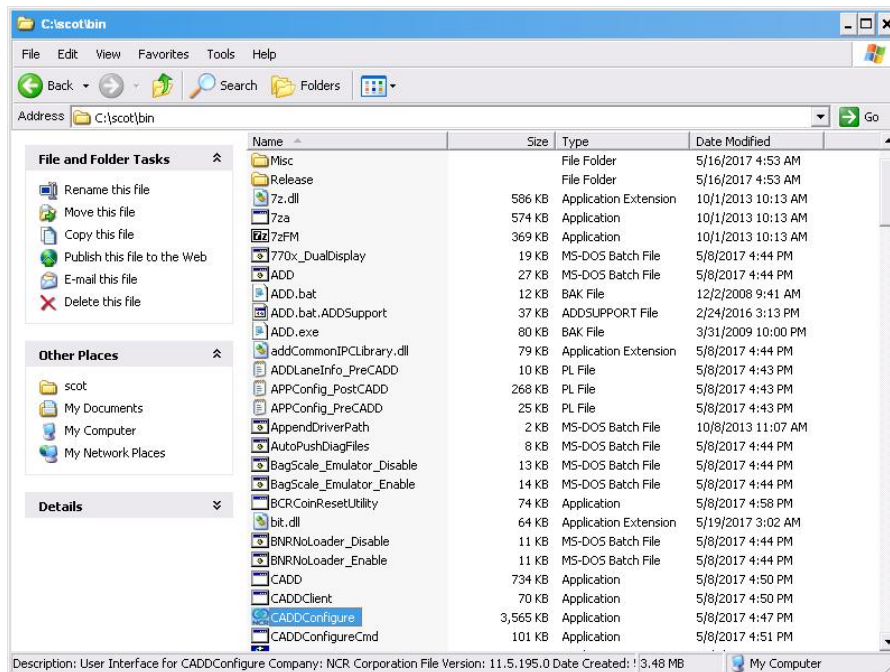


CCP-71567

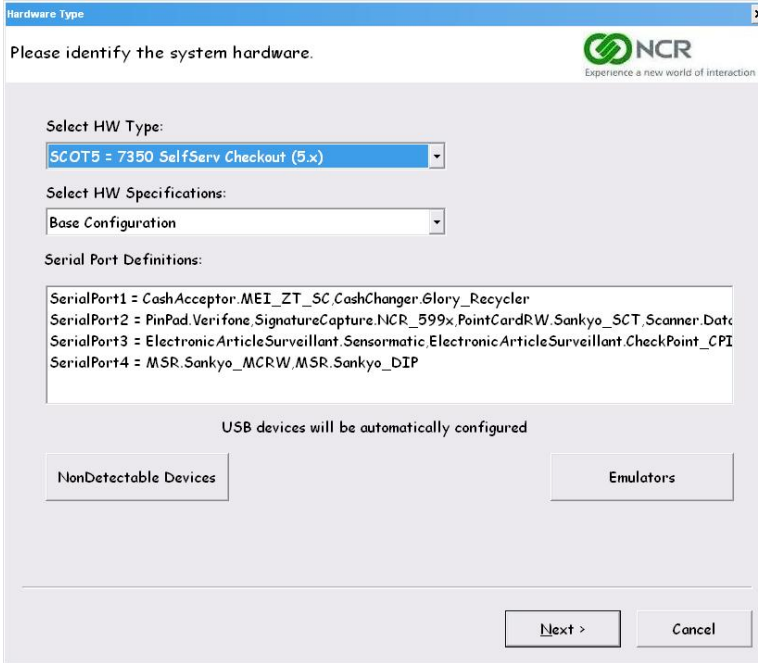
Reprogram the Note Acceptor RTU as SCN85 Device

To reprogram the Note Acceptor do the following:

1. Remove the Note Acceptor from the Cash Acceptor Chassis. For more information refer to [Remove the Note Acceptor](#) on page 3.
2. Install SCN85 Cash Acceptor to the Cash Acceptor Chassis. For more information refer to [Install SCN85 Cash Acceptor](#) on page 6.
3. Turn on the SelfServ Checkout.
4. Go to C:\scot\bin.



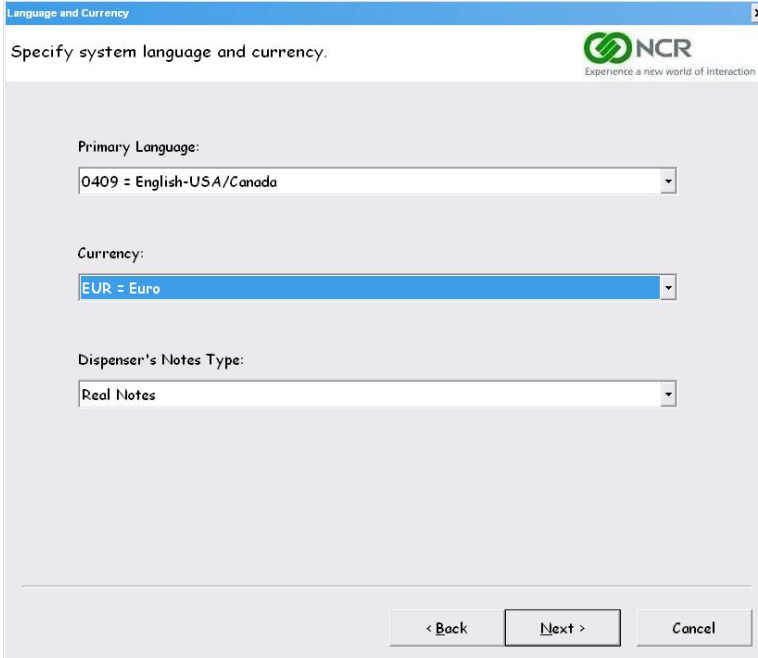
5. Open the **CADDConfigure** application. The Hardware Type window is displayed.



The screenshot shows the 'Hardware Type' window with the following content:

- Title bar: Hardware Type
- Header: Please identify the system hardware. NCR Experience a new world of interaction
- Select HW Type: SCOT5 = 7350 SelfServ Checkout (5.x)
- Select HW Specifications: Base Configuration
- Serial Port Definitions:
SerialPort1 = CashAcceptor.MEI_ZT_SC.CashChanger.Glory_Recycler
SerialPort2 = PinPad.Verifone.SignatureCapture.NCR_599x.PointCardRW.Sankyo_SCT.Scanner.Data
SerialPort3 = ElectronicArticleSurveillant.Sensormatic.ElectronicArticleSurveillant.CheckPoint_CPI
SerialPort4 = MSR.Sankyo_MCRW.MSR.Sankyo_DIP
- USB devices will be automatically configured
- Buttons: NonDetectable Devices, Emulators
- Navigation: Next >, Cancel

6. From the Select HW Type drop-down list, select **SCOT5 = 7350 SelfServ Checkout (5.x)**.
7. Select **Next**. The Language and Currency window is displayed.



The screenshot shows the 'Language and Currency' window with the following content:

- Title bar: Language and Currency
- Header: Specify system language and currency. NCR Experience a new world of interaction
- Primary Language: 0409 = English-USA/Canada
- Currency: EUR = Euro
- Dispenser's Notes Type: Real Notes
- Navigation: < Back, Next >, Cancel

8. From the Currency drop-down list, select **EUR = Euro**.

9. Select **Next**. The Note Acceptor and Note Dispenser HW Configuration window is displayed.

The screenshot shows the 'Note Acceptor and Note Dispenser HW Configuration' window. The title bar reads 'Note Acceptor and Note Dispenser HW Configuration'. The main heading is 'Please select notes to accept and/or dispense:'. The NCR logo is in the top right corner with the tagline 'Experience a new world of interaction'. The currency is set to 'EUR' and 'Decimal Places = 2'. There are two main sections: 'Configure Note Acceptor' and 'Configure Note Dispenser'. Under 'Configure Note Acceptor', there is a list of notes to accept: 500, 1000, 2000, 5000, 10000, 20000, and 50000, all with checked checkboxes. Under 'Configure Note Dispenser', there is a 'Loader' checkbox which is checked, and a prompt to 'Enter number of bins per denomination and 0 as disable'. Below this is a list of notes to dispense: 500, 1000, 2000, 5000, 10000, 20000, and 50000, each with a numeric input field and a checked checkbox. A note at the bottom states: 'Note: Some of the devices do not support configuring notes (i.e BNR)'. At the bottom of the window are three buttons: '< Back', 'Next >', and 'Cancel'.

10. Select **Next**. The Coin Acceptor and Dispenser HW Configuration window is displayed.

The screenshot shows the 'Coin Acceptor and Dispenser HW Configuration' window. The title bar reads 'Coin Acceptor and Dispenser HW Configuration'. The main heading is 'Please select coins to accept and/or dispense:'. The NCR logo is in the top right corner with the tagline 'Experience a new world of interaction'. The currency is set to 'EUR' and 'Decimal Places = 2'. There are two main sections: 'Configure Coin Acceptor' and 'Configure Coin Dispenser'. Under 'Configure Coin Acceptor', there is a list of coins to accept: 1, 2, 5, 10, 20, 50, 100, and 200, all with checked checkboxes. Under 'Configure Coin Dispenser', there is a list of coins to dispense: 1, 2, 5, 10, 20, 50, 100, and 200, all with checked checkboxes. At the bottom of the window are three buttons: '< Back', 'Next >', and 'Cancel'.

11. Select **Next**. The Device Specific Options window is displayed.

Device Specific Options

Select Device specific options.

HWType: SCOT5 Language: 0409

HWSpec: Currency: EUR

Device: 56xx Note Dispenser IniModel: AnyModel

Option	Value	Comment
There are no options to show for this selection.		

Add Delete

< Back Next > Cancel

12. Select **Next**. The Confirmation window is displayed.

Confirmation

Options are ready to be saved.

C:\scot\CONFIG\ADD.000 C:\scot\CONFIG\ADDOpts.000

[Hardware]
HWType=SCOT5
HWSpec=
PrimaryLanguageCode=0409

[Currency]
CurrencyType=EUR

[Note.EUR.Accept]
500=YES
1000=YES
2000=YES
5000=YES

Press Save to update file(s) or Cancel to exit.

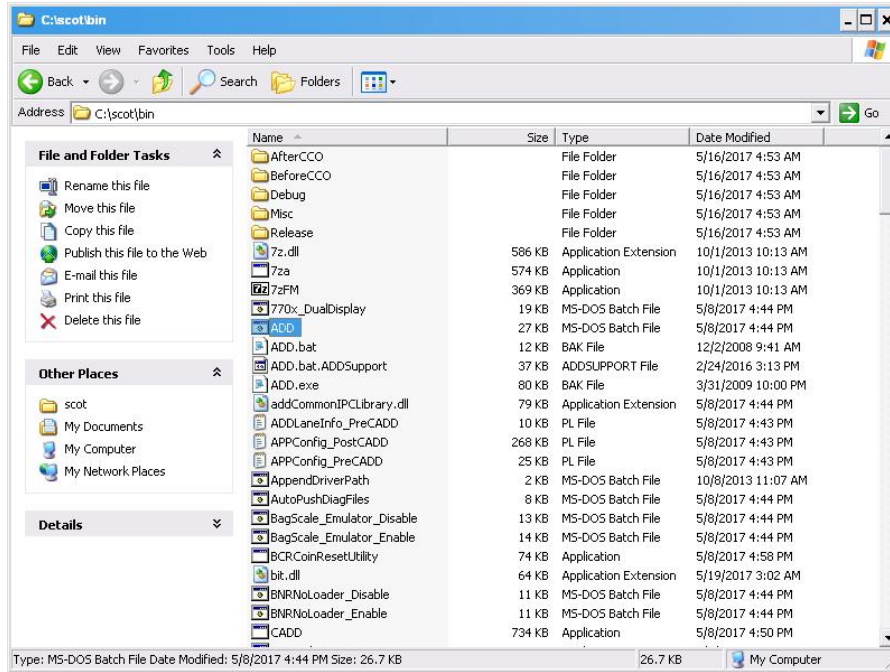
< Back Save Cancel

13. Select **Save** to update the files. The application will automatically close.

14. Go to C:\scot\bin and then open **ADD**. The application checks the devices configured with the SelfServ Checkout unit and checks/updates the corresponding firmware. The application is automatically closed when the process is complete.



Caution: Do not interrupt the configuration to avoid damaging the device.



15. Perform a health check on the Note Acceptor by accessing the Profile Manager Lite (PML). To access the PML, do the following:
 - a. From the start menu, select Run and type `: \scot\bin\elgnodon.bat`. Then the PML screen is displayed.
 - b. Select **CashAcceptor** on top section of the PML screen.
 - c. Select **MEI_ZT_SC** on the bottom section of the PML screen. The Health Check: Bill Acceptor screen appears.

- d. Verify from the **Device** field that the device model has changed from SC to SCN.

Health Check: Bill Acceptor "Ready/RetrievedNotes" (MEI CashFlow Bill Acceptor)

Service Object: NCR Cash Acceptor Service Object. (c) 2016 NCR V70 121416
Version: Version 1.2.1
Device Name: MEI CashFlow Bill Acceptor
Device Description: MEI CashFlow SC Series Bill Acceptor
Build Version: 11.5.36.0
Variant Version: 510020340
Application Version: 286140440 (with FW selfHeal.Count=-1)
Serial Number: 11290250273 USB comm.
Device: **SCN8528R BehaveLike SC83** Gen ID: 02

Note Test
Note Set: [Dropdown] CkHealth2
 EUR 5.00 EUR 10.00 EUR 20.00 EUR 50.00 Audit
 EUR 100.00 EUR 200.00 EUR 500.00

Select All Notes Escrowed: 0 Accept CC=EUR
Select None Current Note Value: [Text] Reject

Head Status: OK: First head matches CurrencyCode and Model.(0)
EEBDS Status: Using EEBDS: 11 out of 11 note variations enabled
Calibrate Status: on-line Exit

16. Restart the 7350 unit.



Note: The system automatically runs ADD and update the Note Acceptor hardware profile.