

Kit Instructions

Tri-Light Pole Blanking Plate



7350-K060
Issue A



The product described in this document is a licensed product of NCR Corporation.

NCR is a registered trademark of NCR Corporation. NCR SelfServ™ Checkout is a trademark of NCR Corporation in the United States and/or other countries. Other product names mentioned in this publication may be trademarks or registered trademarks of their respective companies and are hereby acknowledged.

The terms HDMI and HDMI High-Definition Multimedia Interface, and the HDMI Logo are trademarks or registered trademarks of HDMI Licensing LLC in the United States and other countries.

Where creation of derivative works, modifications or copies of this NCR copyrighted documentation is permitted under the terms and conditions of an agreement you have with NCR, NCR's copyright notice must be included.

It is the policy of NCR Corporation (NCR) to improve products as new technology, components, software, and firmware become available. NCR, therefore, reserves the right to change specifications without prior notice.

All features, functions, and operations described herein may not be marketed by NCR in all parts of the world. In some instances, photographs are of equipment prototypes. Software screen images are representative, and in some cases, may not match a customer's installed software exactly. Therefore, before using this document, consult with your NCR representative or NCR office for information that is applicable and current.

Copyright © 2021
By NCR Corporation
Global Headquarters
864 Spring St. NW
Atlanta, GA 30308
United States
All Rights Reserved

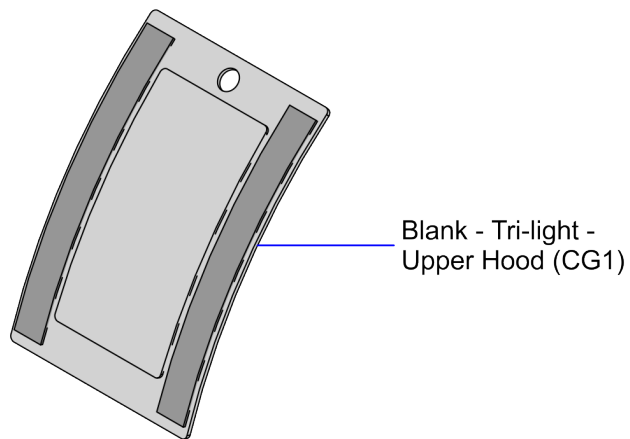
Revision Record

Issue	Date	Remarks
A	Oct 2021	First Issue

Tri-Light Pole Blanking Plate

This publication provides procedures for installing a Tri-Light Pole Blanking Plate to an NCR SelfServ™ Checkout (7350) unit.

Kit Contents



CCP-81058

Part Number	Description
497-0520803	7350-K060 Kit, Tri-Light Pole Blanking Plate
497-0468644	Blank - Tri-Light - Upper Hood (CG1)
* 497-0423108	Instructions Kit (Reference Sheet)

* Items marked with an asterisk are not called out on the image.

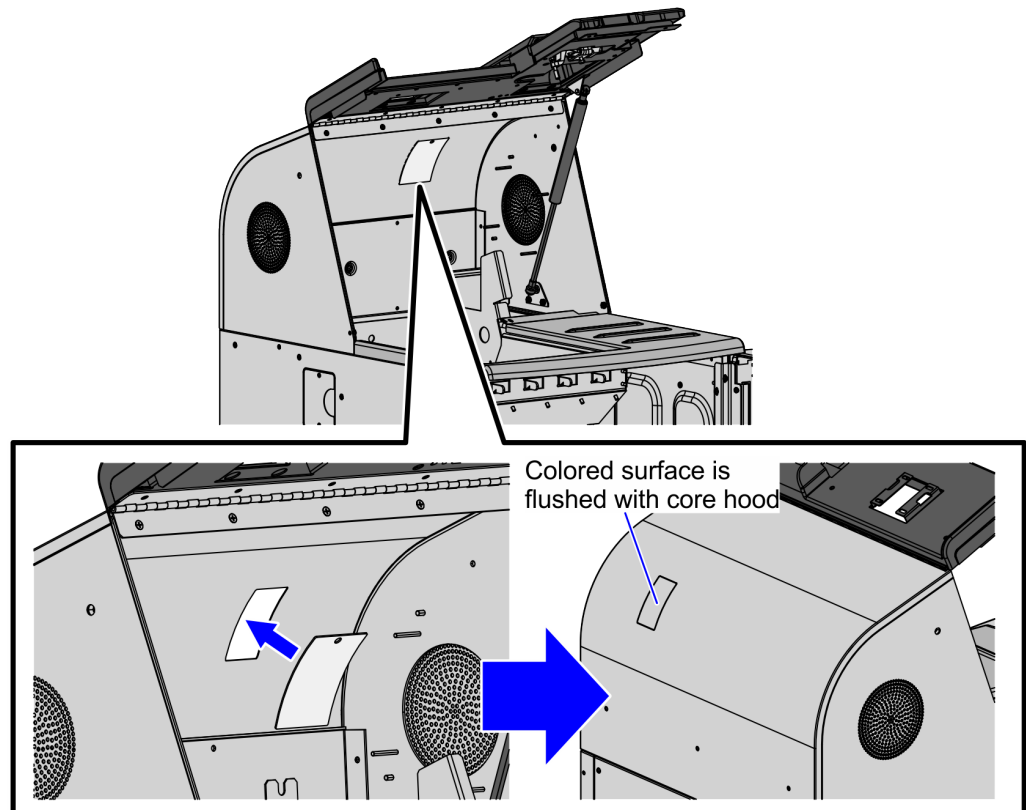
Installation Procedures

To install the Tri-Light Pole Blanking Plate, follow these steps:

1. Do the following:
 - a. Remove the Tri-Light/Lane Light. For more information, refer to [Removing the Tri-Light/Lane Light \(R6\)](#) on the facing page.
 - b. Remove the Tri-Light/Lane Light Pole. For more information, refer to [Removing the Tri-Light/Lane Light Pole](#) on page 5.
2. On the back of the Blanking Plate, remove the protective film of the double-sided tape.
3. Attach the Blanking Plate on the Tri-Light Pole slot, as shown in the image below.



Note: Ensure that the colored surface of the Blanking Plate is flushed with the core hood.

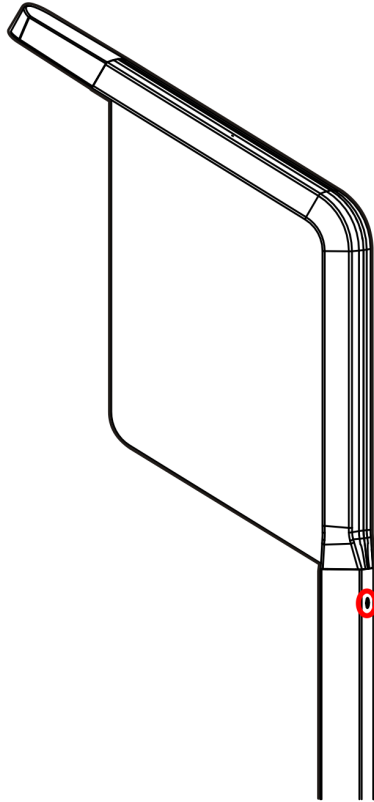


CCP-81060

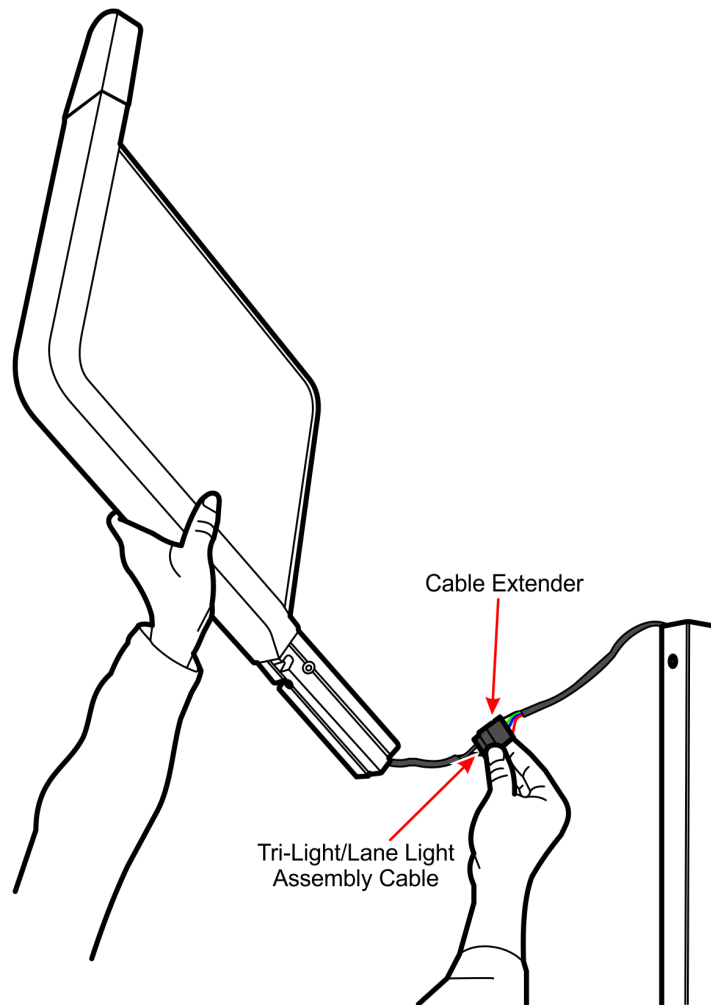
Removing the Tri-Light/Lane Light (R6)

To remove the Tri-Light/Lane Light (R6), follow these steps:

1. Turn off the NCR SelfServ Checkout software and hardware systems.
2. Remove the screw securing the Tri-Light/Lane Light (R6) to the Tri-Light /Lane Light pole.



3. Lift the Tri-Light/Lane Light (R6) and then disconnect the cables.



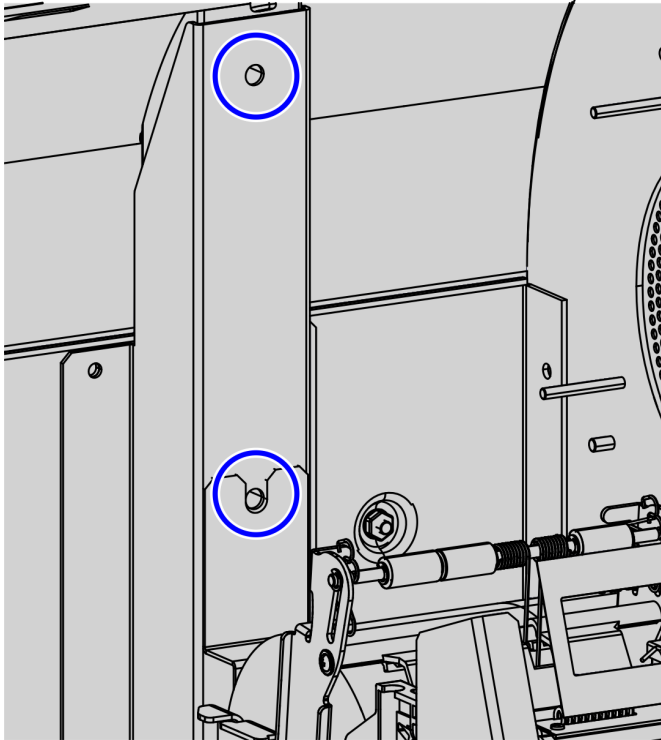
CCP-62082

4. Remove the Tri-Light/Lane Light Pole. For more information, refer to [Removing the Tri-Light/Lane Light Pole](#) on the facing page.

Removing the Tri-Light/Lane Light Pole

To remove the Tri-Light/Lane Light pole, follow these steps:

1. Remove the existing Tri-Light/Lane Light (R6), if necessary. For more information, refer to [Removing the Tri-Light/Lane Light \(R6\)](#) on page 3.
2. Remove two screws securing the pole to the unit.



CCP-72722

3. Disconnect the Tri-Light/Lane Light cable from the I/O Box.
4. Carefully lift the pole out of the unit.

