



Kit Instructions

Under Counter Mounting Bracket



Publication ID: 7199-K100

Publication Issue: C

Copyright and Trademark Information

The product described in this document is a licensed product of NCR Voyix Corporation.

NCR Voyix is a registered trademark of NCR Voyix Corporation. Product names mentioned in this publication may be trademarks or registered trademarks of their respective companies and are hereby acknowledged.

Where creation of derivative works, modifications or copies of this NCR Voyix copyrighted documentation is permitted under the terms and conditions of an agreement you have with NCR Voyix, NCR Voyix's copyright notice must be included.

It is the policy of NCR Voyix Corporation to improve products as new technology, components, software, and firmware become available. NCR Voyix, therefore, reserves the right to change specifications without prior notice.

All features, functions, and operations described herein may not be marketed by NCR Voyix in all parts of the world. In some instances, photographs are of equipment prototypes. Therefore, before using this document, consult with your NCR Voyix representative or NCR Voyix office for information that is applicable and current.

Copyright © 2017, 2023, 2024

By NCR Voyix Corporation

Atlanta, Georgia, USA

All Rights Reserved

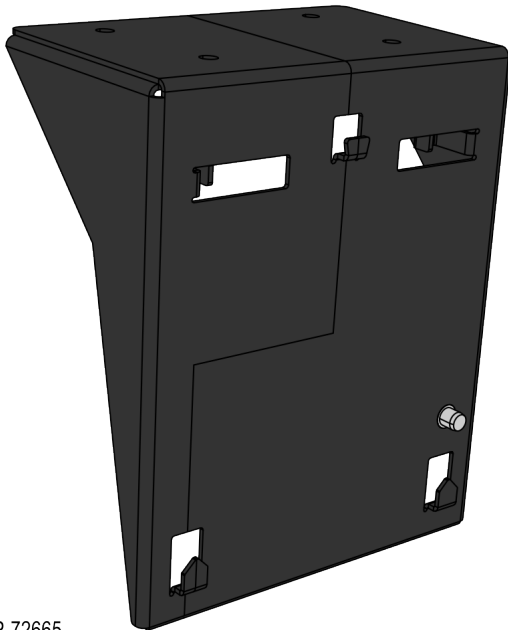
Revision Record

Issue	Date	Remarks
A	Nov 2017	First issue
B	May 2023	Converted to Guild template
C	Jul 2024	Converted to Voyix template

Under Counter Mounting Bracket

Introduction

This kit serves as a mounting bracket for installing the printer under the counter.



CCP-72665

Tools needed

- Cordless hand drill
- Phillips screw driver
- Screws (4)

Note

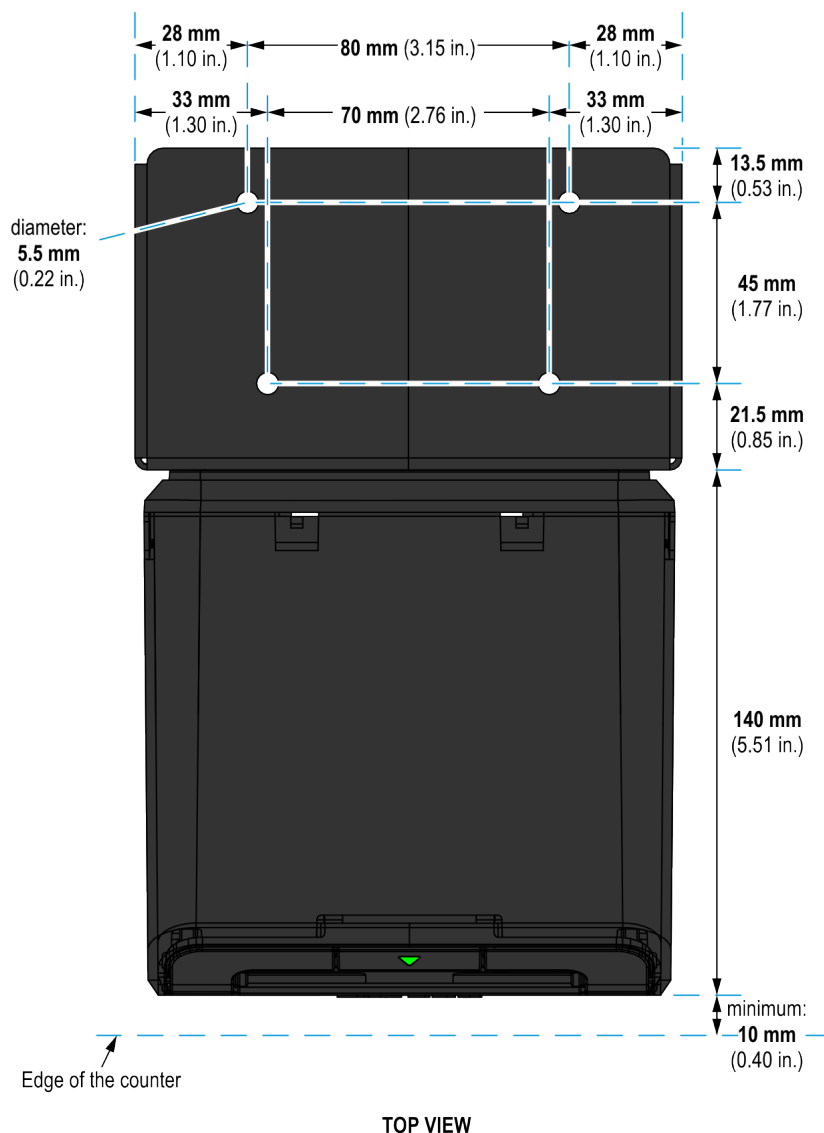
Screws are not included in the kit.

Installation Procedures

⚠ Caution

- Ensure that the printer is securely mounted by using appropriate screws based on the counter material.
- To avoid damage to the printer due to liquid spills, the printer edge should not go beyond the counter edge.

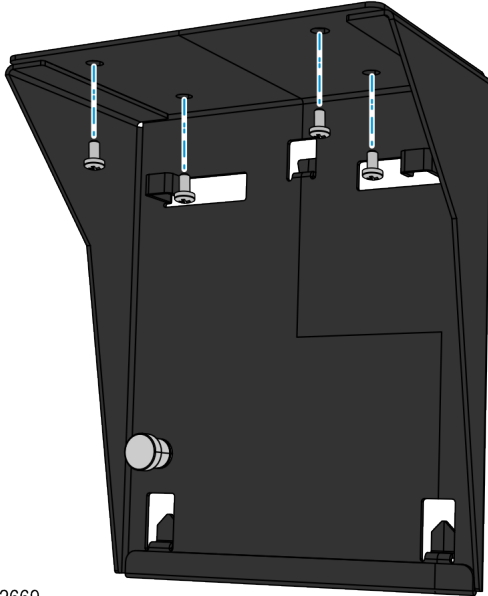
1. Prepare the installation site. Use the following dimensions.



CCP-72666

- a. Mark the location of the anchor holes under the counter.
- b. Drill the four anchor holes.

2. Install the mounting bracket.



CCP-72669

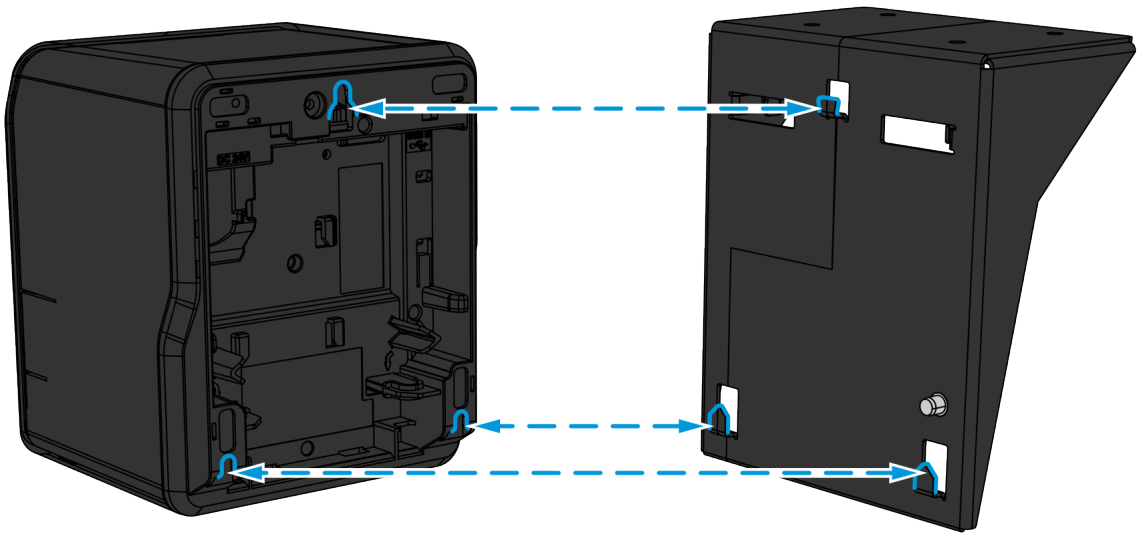
- a. Align the four holes of the mounting bracket with the four anchor holes under the counter.
- b. Install the four screws to secure the mounting bracket.

 **Note**

Do not fully tighten any screw on the first turn. Use a stepping method when tightening the screws. Tighten each screw a little at a time, 2 turns at a time, to evenly secure the mounting bracket under the counter.

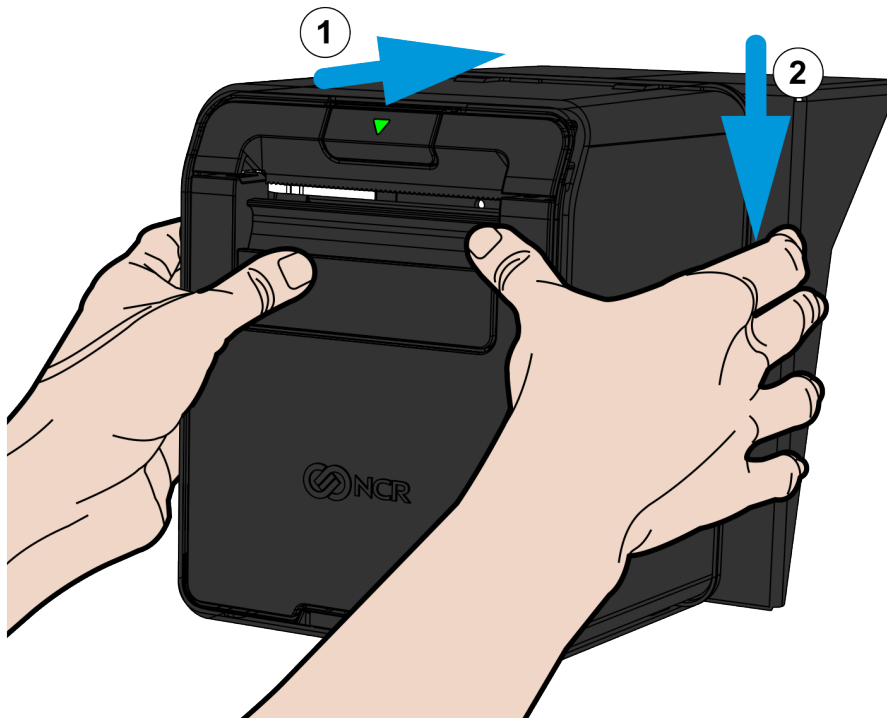
3. Connect the cables to their respective ports on the printer. For more information, refer to "[Connecting the Cables](#)" on page 10.

4. Mount the printer to the mounting bracket.



CCP-72668

a. Hold the printer on both sides, positioning it to the center of the mounting bracket.



CCP-72670

Confidential and proprietary information of NCR Voyix.
Use and disclose solely pursuant to company instructions.

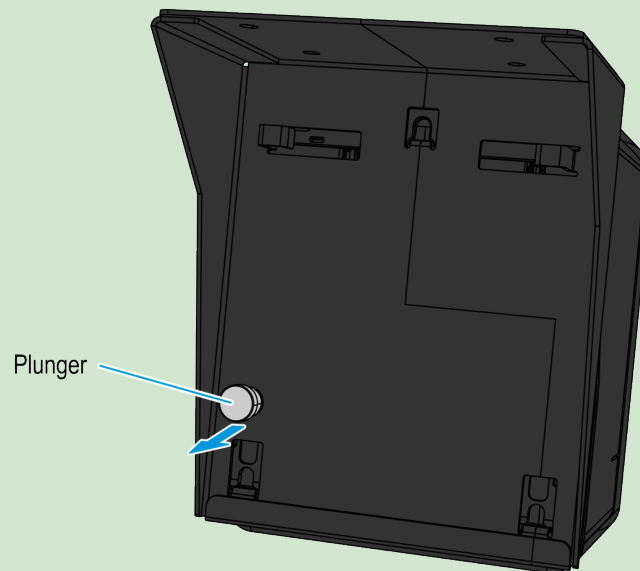
- b. Using the bottom of the counter as an alignment guide, move the printer horizontally towards the mounting bracket until the top hook of the mounting bracket is inserted into the top hook slot of the printer, and then slide the printer downwards.

 **Note**

A snap is heard once the printer is locked in place.

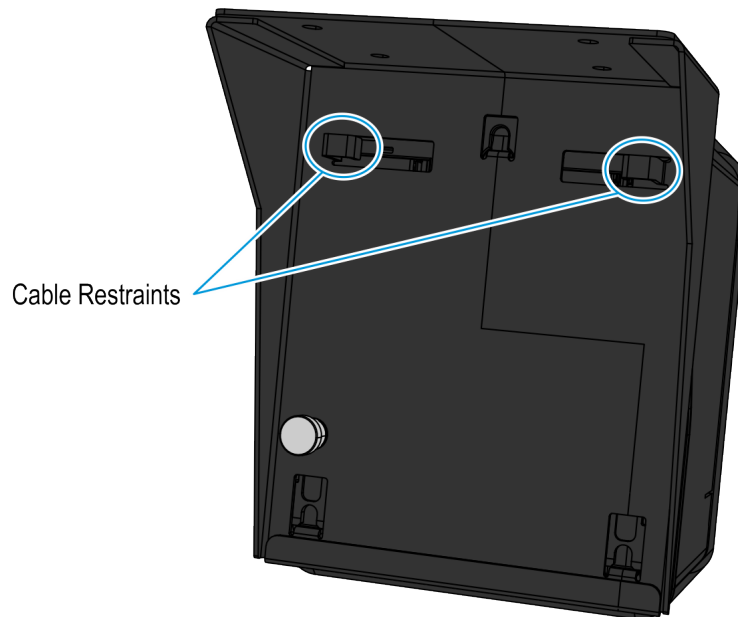
 **Note**

If the printer is not properly installed, remove the printer by pulling the anti-dislodgement plunger at the back of the mounting bracket and then sliding the printer up.



CCP-71834

5. Route the cable through the cable restraints on the back of the mounting bracket. For more information, refer to "[Routing the Cables](#)" on page 13.



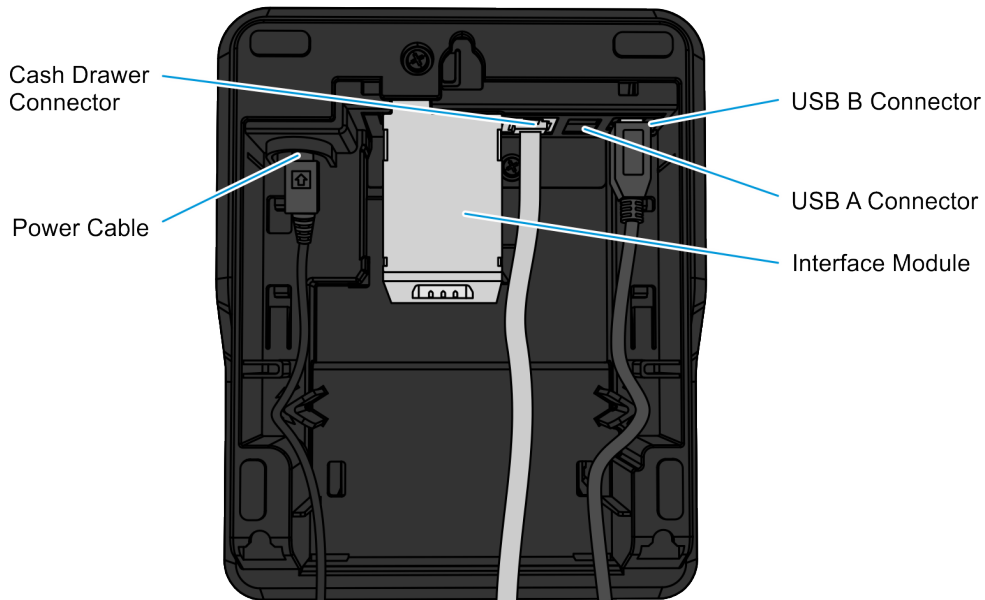
CCP-72671

6. Connect the other end of the cables to their respective device or terminal. For more information, refer to "[Connecting the Cables](#)" on the next page.

Connecting the Cables

This section provides information about connecting the cables to the printer, and then to the host terminal and other devices.

Connecting to the Printer



BOTTOM OF PRINTER

CCP-71900

⚠ Caution

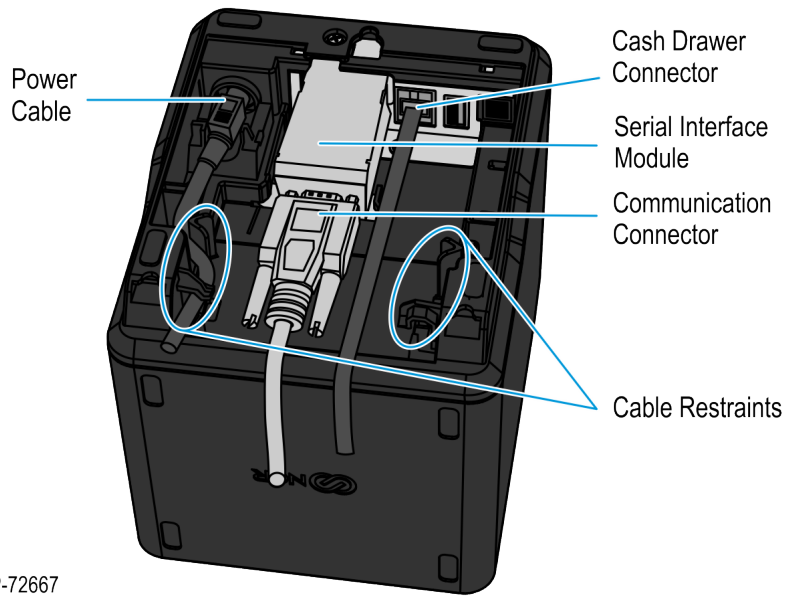
Before connecting any cable to the printer, ensure that the Power Cable is not connected to the power source (terminal or power supply).

1. Connect the communication cable and the cash drawer cable to their respective connectors on the bottom of the printer.
2. Connect the power cable to its connector on the bottom of the printer.

3. Route the cables through the cable restraints on the bottom of the printer.

Note

The power and USB cables should be fastened to the cable restraints. The communication and cash drawer cables may or may not be fastened to the cable restraints.



CCP-72667

Note

The image shown above has a Serial Interface Module Cable Connection. For other cable routings, refer to *NCR RealPOS 7199 Thermal Receipt Station Printer User Guide* (BCC5-0000-5172).

Connecting to the host terminal and other devices

Caution

Before connecting the Power Cable to the power source (terminal or power supply), ensure that the terminal is off or that the power supply is not connected to an AC outlet.

1. Connect the communication cable to the appropriate host computer connector.
2. Connect the cash drawer cables to the cash drawers.
3. Do any of the following:
 - For host powered installation, connect the power cable to the POS terminal, and then turn the POS terminal on.
 - For remote power supply installation, connect the power cable to the power supply, and then connect the power supply to an AC outlet.

At this point, the printer receives power. If the On Line LED (green) is on, the printer is online. Otherwise, the printer is not receiving power. Ensure that the host terminal is on or that the power supply is on.

Routing the Cables

Cables are routed through the cable restraints on the back of the mounting bracket, are passed through a hole on the counter, and are then connected to the host terminal and other devices.

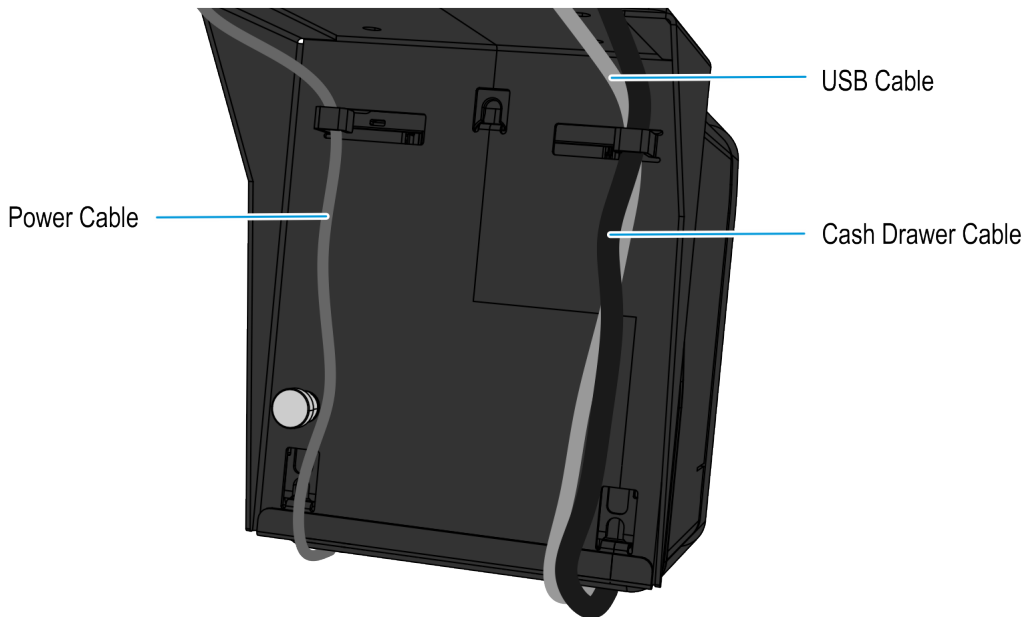
This section provides information about routing the cables through the cable restraints on the back of the mounting bracket, depending on the type of power cable (with or without a ferrite bead) and on the type of cable connection (USB or RS-232/Ethernet).

Cable Routing A

This type of cable routing is for USB cable connection, regardless of the type of power cable used.

Note

Route the cash drawer cable first before the USB cable.

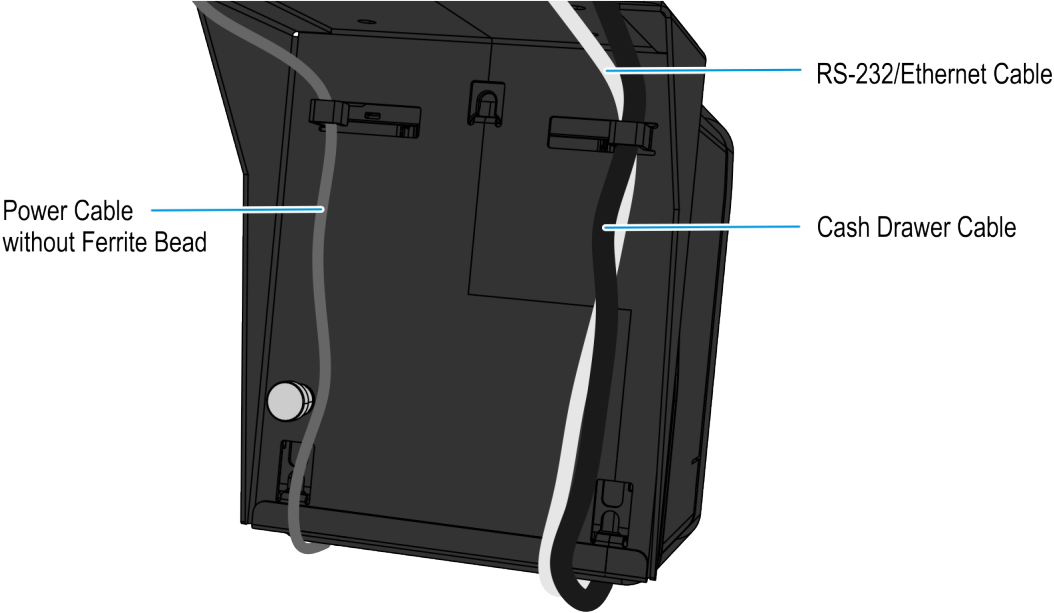


CCP-71831

Cable Routing B

This type of cable routing is for RS-232/Ethernet cable connection that uses a power cable without a ferrite bead.

Note
Route the cash drawer cable first before the RS-232/Ethernet cable.

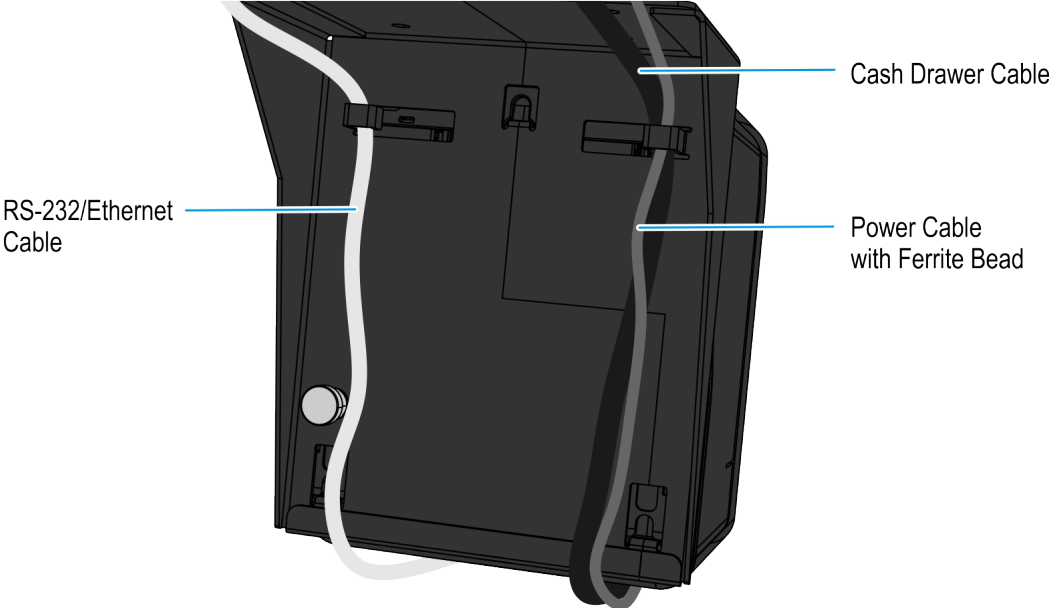


CCP-71832

Cable Routing C

This type of cable routing is for RS-232/Ethernet cable connection that uses a power cable with a ferrite bead.

Note
Route the power cable first before the cash drawer cable.



CCP-71833