



Kit Instructions

58-mm Paper Guide

7199-K058

Issue B

Copyright and Trademark Information

The product described in this document is a licensed product of NCR Voyix Corporation.

NCR Voyix is a registered trademark of NCR Voyix Corporation. Product names mentioned in this publication may be trademarks or registered trademarks of their respective companies and are hereby acknowledged.

Where creation of derivative works, modifications or copies of this NCR Voyix copyrighted documentation is permitted under the terms and conditions of an agreement you have with NCR Voyix, NCR Voyix's copyright notice must be included.

It is the policy of NCR Voyix Corporation to improve products as new technology, components, software, and firmware become available. NCR Voyix, therefore, reserves the right to change specifications without prior notice.

All features, functions, and operations described herein may not be marketed by NCR Voyix in all parts of the world. In some instances, photographs are of equipment prototypes. Therefore, before using this document, consult with your NCR Voyix representative or NCR Voyix office for information that is applicable and current.

Copyright © 2017, 2026

By NCR Voyix Corporation

Atlanta, Georgia, USA

All Rights Reserved

Revision Record

Issue	Date	Remarks
A	Jul 2017	First issue
B	Feb 2026	Changed cover page and copyright page to NCR Voyix

58 MM PAPER GUIDE KIT INSTRUCTION

Introduction

This kit serves as a guide for the 58 mm paper receipt when inserted in the printer.

Installation Procedure

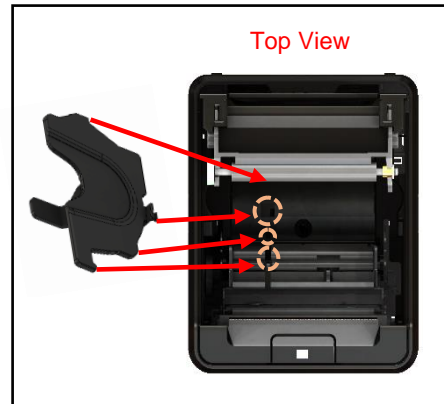
- 1) User has the option to turn the printer OFF when attaching the guide.



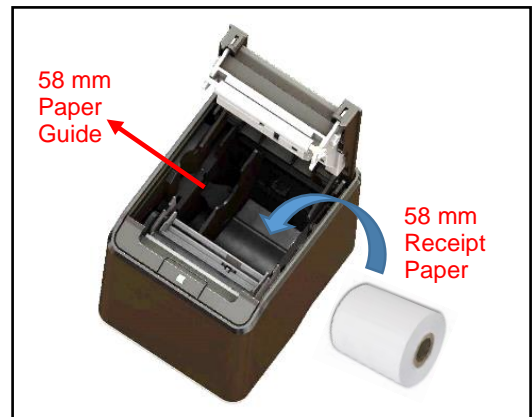
- 2) Open the top cover/printer door.



- 3) Insert the 58 mm paper guide to the slots located on the left side of the main cover.



- 4) Once inserted, user may now insert the 58 mm receipt paper.



Removal Procedure

- 1) Pull the paper guide arm away from the printer to remove.

