

5993-K179

# **Fingerprint Recognition Module Mount**

Kit Instructions



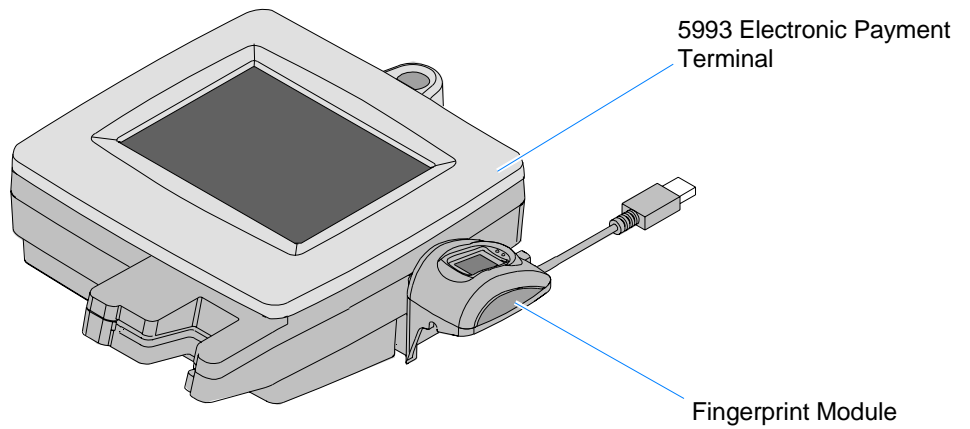
Issue A

# Revision Record

Issue	Date	Remarks
A	Oct 2005	First issue

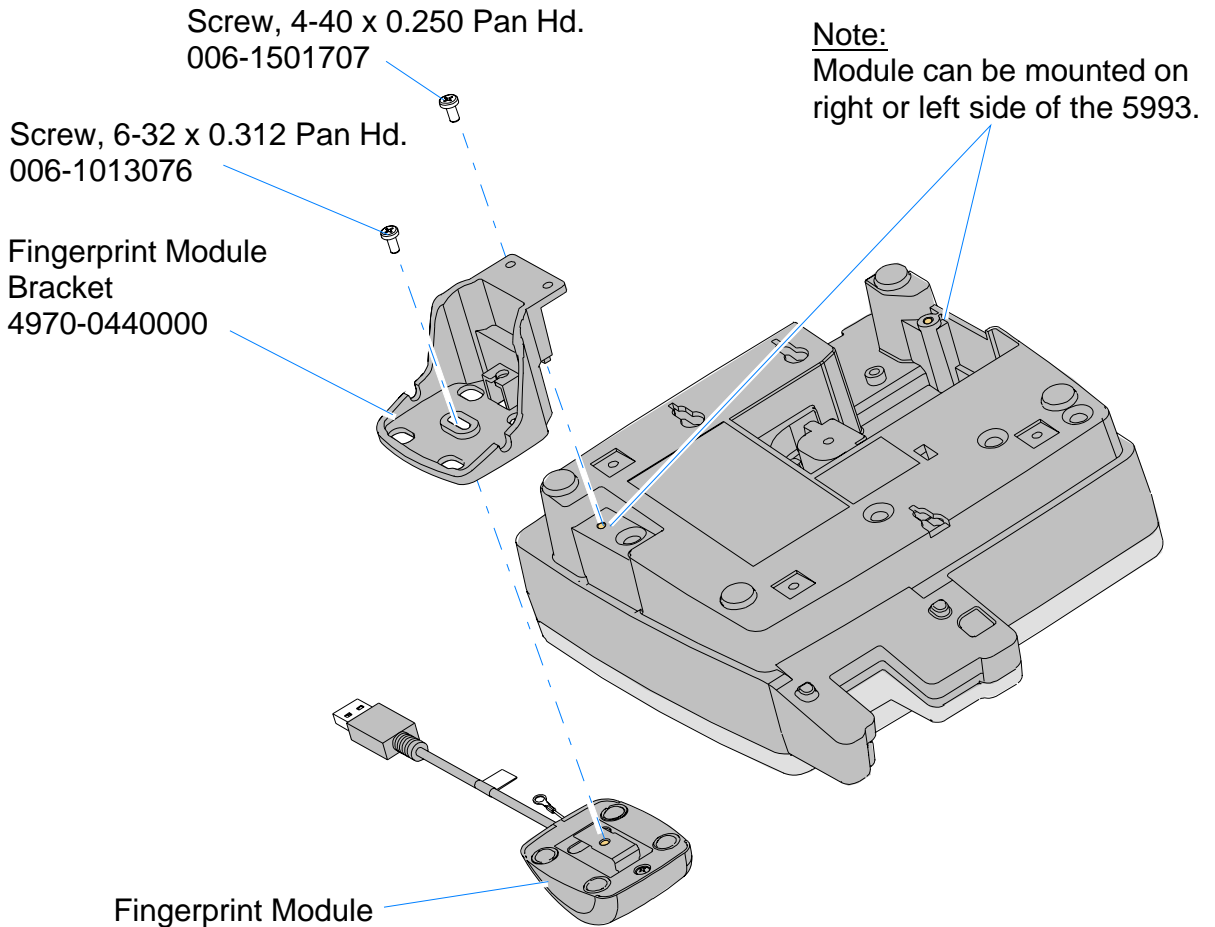
# Introduction

This kit provides a bracket and screws to mount a Fingerprint Recognition module on the 5993 terminal.



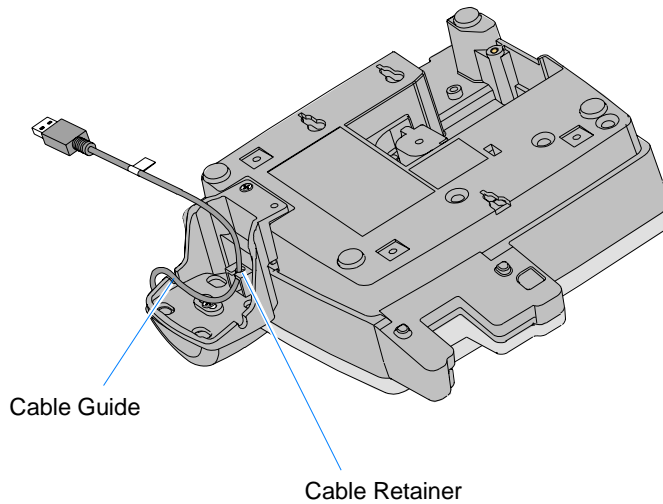
# Installation Procedure

1. Install the Fingerprint Module Bracket on the 5993 with a screw (006-1501707).



2. Install the Fingerprint Module on the Fingerprint Module Bracket with a screw (006-1013076).

3. Secure the Fingerprint Module Cable. Wrap the cable under the bracket, through the Cable Guide, and secure it in the Cable Retainer.



22937

## Fingerprint Recognition Module Information

For user information and software drivers please see the *NCR 5986 Biometrics Module User Guide* (B005-0000-1685).