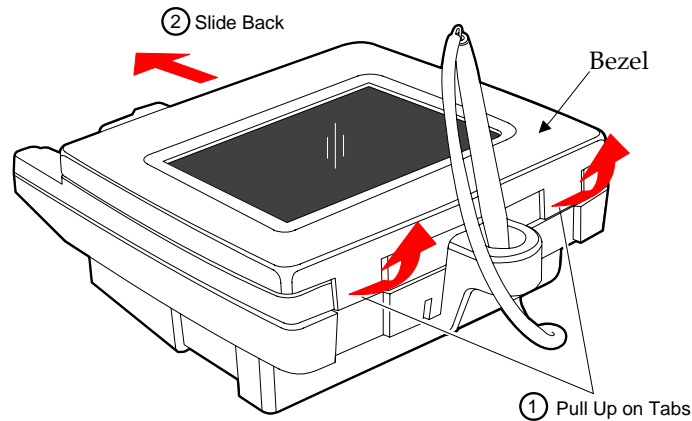




5993-K080 Kit Instructions

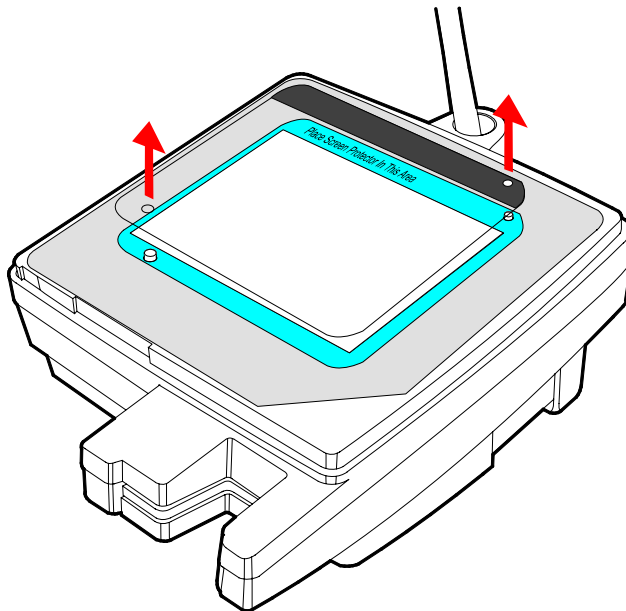
Screen Protector Replacement

1. To remove the old screen protector, use your index fingers to lift the two tabs on either side at the back of the bezel. Lift upon the back of the bezel and slide the bezel to the front of the 5993.

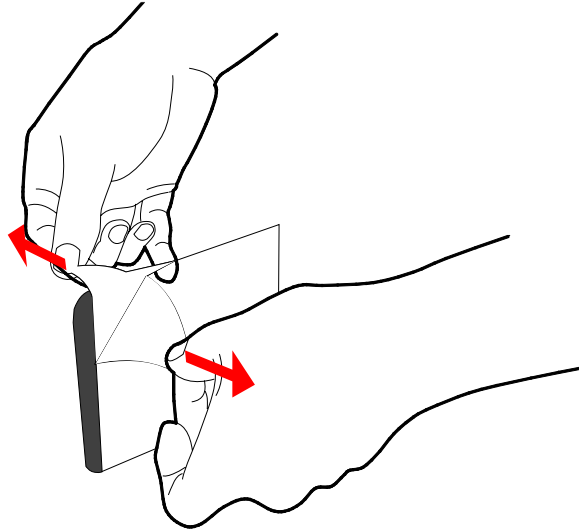


22146

2. Lift the screen protector by grasping the bottom left corner and the top right corner. Pop out the screen protector from the frame and discard the old screen protector.

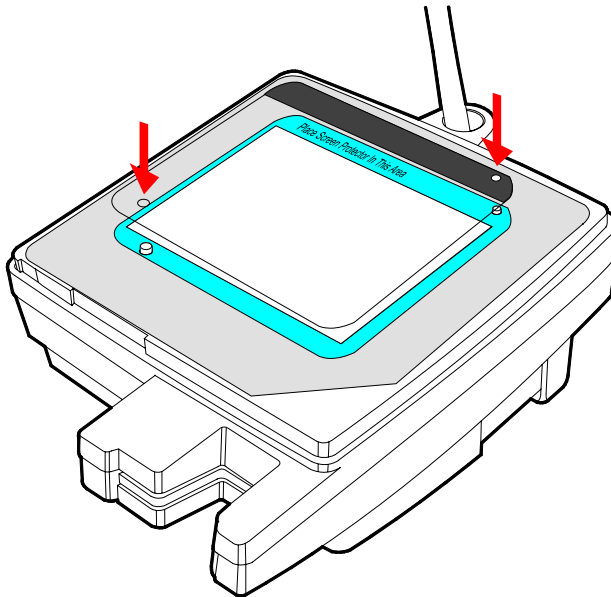


3. There is a thin film on each side of the new screen protector that must be removed before installing the new screen protector. Gently loosen the thin film from each side of the new screen protector and peel the thin film simultaneously from each side of the screen protector. Be careful not to bend or crease the screen protector when removing the thin film.



22150

4. Align the two holes in the bottom left and top right of the screen protector with the small alignment tabs on the 5993, and press the screen protector back on.



22148

5. Reinstall the bezel in the reverse manner from which you removed it.