

Kit Instructions

12" Pole and Counter Mount

5934-K021
Issue B



The product described in this document is a licensed product of NCR Corporation.

NCR is a registered trademark of NCR Corporation. Product names mentioned in this publication may be trademarks or registered trademarks of their respective companies and are hereby acknowledged.

Where creation of derivative works, modifications or copies of this NCR copyrighted documentation is permitted under the terms and conditions of an agreement you have with NCR, NCR's copyright notice must be included.

It is the policy of NCR Corporation (NCR) to improve products as new technology, components, software, and firmware become available. NCR, therefore, reserves the right to change specifications without prior notice.

All features, functions, and operations described herein may not be marketed by NCR in all parts of the world. In some instances, photographs are of equipment prototypes. Therefore, before using this document, consult with your NCR representative or NCR office for information that is applicable and current.

To maintain the quality of our publications, we need your comments on the accuracy, clarity, organization, and value of this book. Please use the link below to send your comments.

Email: FD230036@ncr.com

Copyright © 2020–2023

By NCR Corporation

Global Headquarters

864 Spring St NW

Atlanta, GA 30308

U.S.A.

All Rights Reserved

Table of Contents

12" Pole and Counter Mount

Introduction	1
Kit Contents	1
Installation Procedures	2
5977 or 5976 Customer Display on 5934-K021	2
5977 Customer Display	3
5976 Customer Display	12
5910 Display on 5934-K021	16
5907 Display on 5934-K021	17

Revision Record

Issue	Date	Remarks
A	Sept 2020	First Issue
B	Nov 2023	Added 5907 and 5910

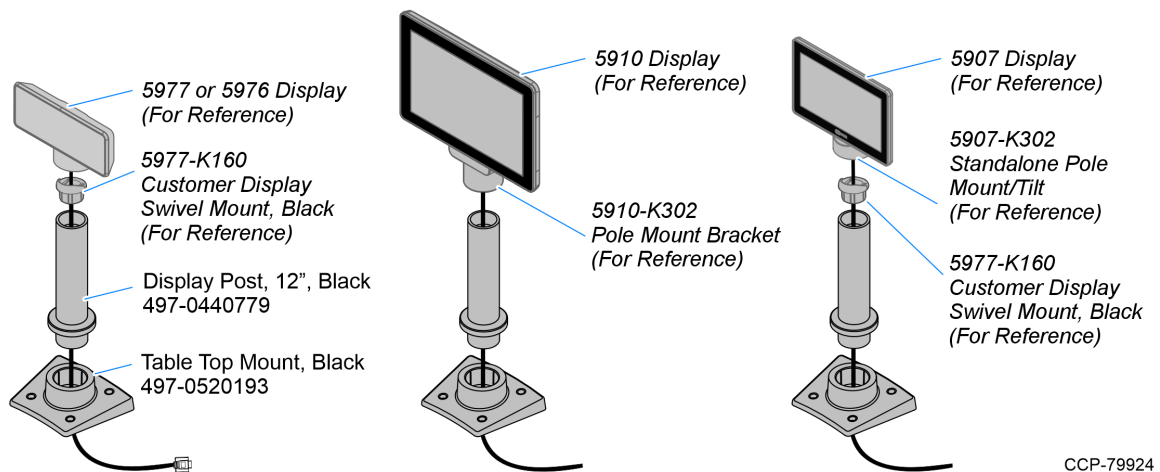
12" Pole and Counter Mount

Introduction

This kit provides a 12" Pole and Counter Mount for the following:

- 5977 Customer Display
- 5976 Customer Display
- NCR XL10W (5910) Display
- NCR XL7W (5907) Display

Kit Contents

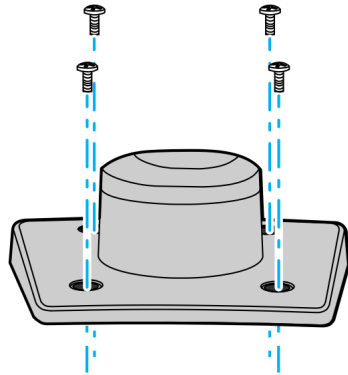


Installation Procedures

5977 or 5976 Customer Display on 5934-K021

To install the 5977 or 5976 Customer Display on the 12" Pole and Counter Mount Kit (5934-K021), follow these steps:

1. Locate the Display Mount within **4 meters** (13 ft.) of the host terminal.
2. Determine if the cable should be routed down through the mounting surface or if it should be run on top of the surface. Drill a hole if necessary.
3. If you are installing with a post greater than **215 mm** (8.5 in.), secure the Table Top Mount (5934-K021) with screws (4) that are appropriate for the mounting surface.



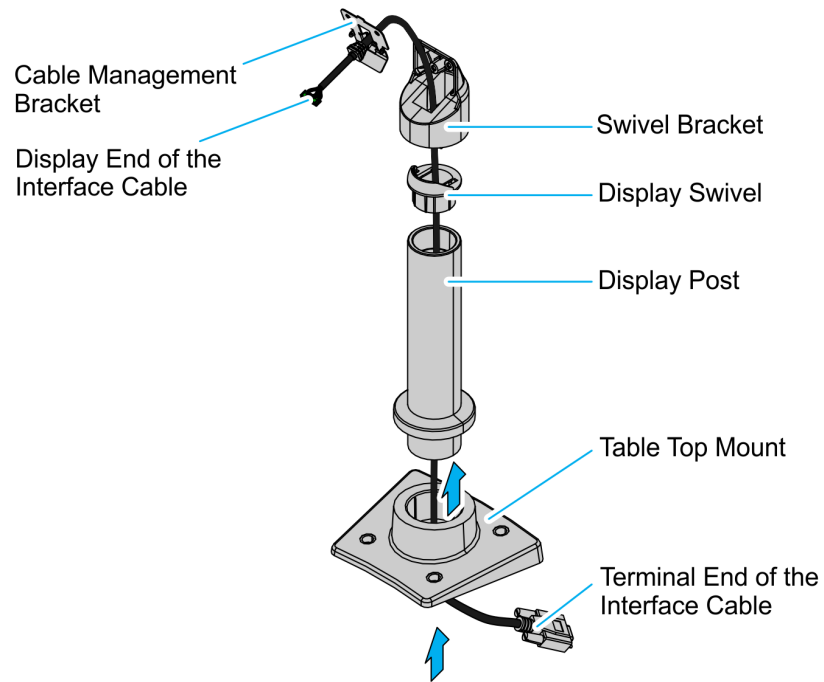
22930

4. Install the Post Mount, the Display Assembly, and the Interface Cable.
 - **5977 Customer Display** – Follow the procedures that correspond to the type of cable bracket used.
 - For **Cable Management Bracket**, refer to [Using Cable Management Bracket](#) on the facing page.
 - For **Strain Relief Bracket**, refer to [Using Strain Relief Bracket](#) on page 8.
 - **5976 Customer Display** – Refer to [5976 Customer Display](#) on page 12.

5977 Customer Display

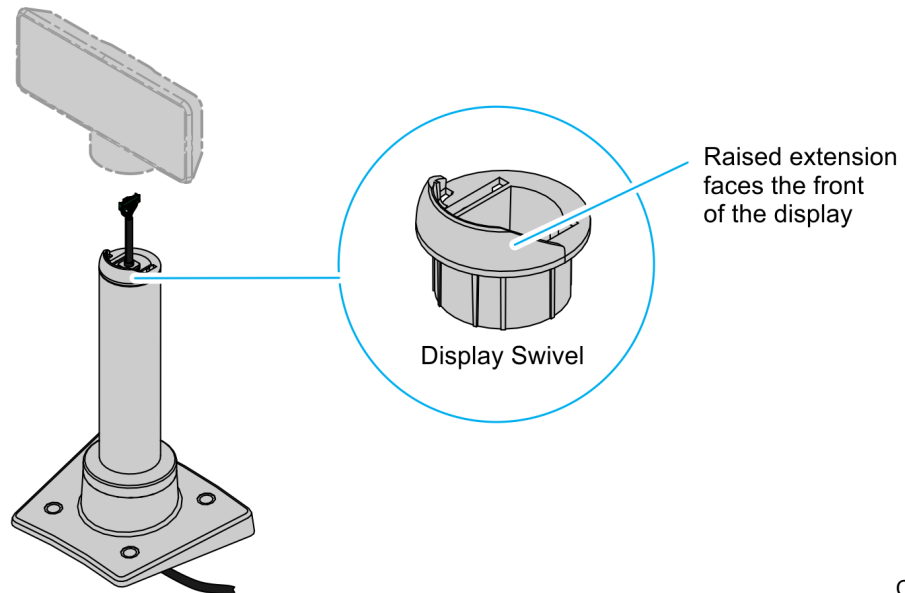
Using Cable Management Bracket

1. Route the display end of the Interface Cable through the Table Top Mount (5934-K021), the Display Post (5934-K021), the Display Swivel (5977-K160), the Swivel Bracket, and the Cable Management Bracket.



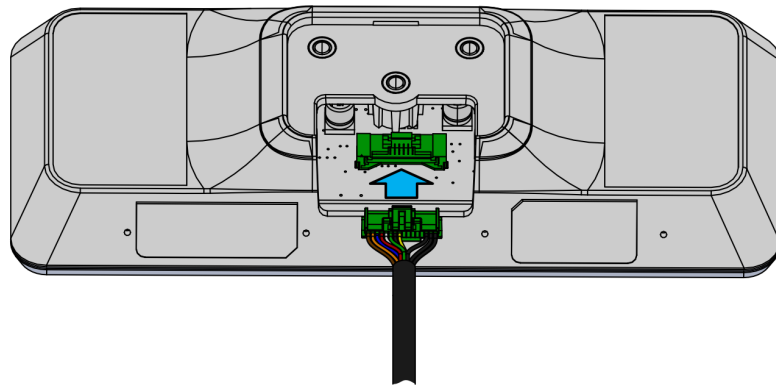
2. Assemble the post components.

Note: The raised extension of the Display Swivel is facing the front of the unit, which permits the Display to be tilted towards the back.



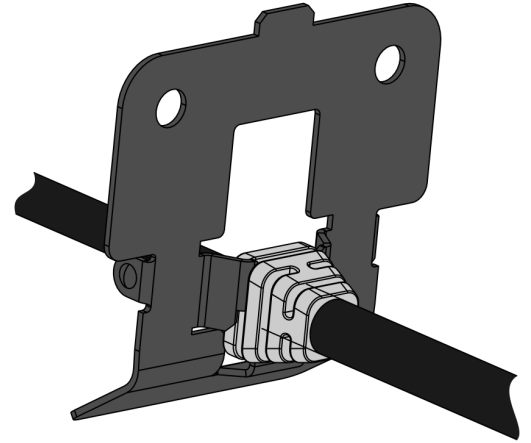
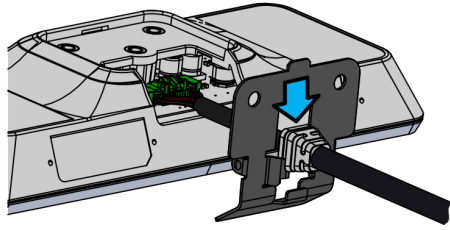
CCP-70301

3. Connect the Interface Cable to the Display Module connector until the latch is engaged. Ensure that the latch is properly engaged by gently tugging on the cable.



CCP-70303

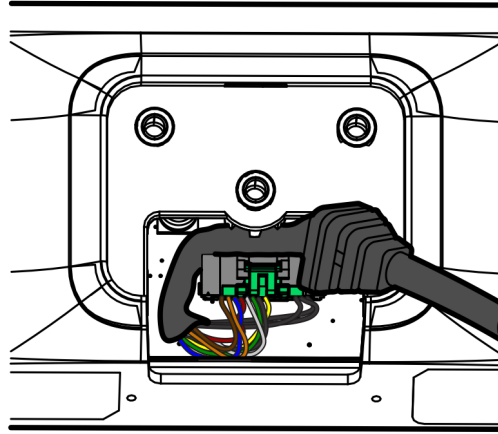
4. Slide the grooves of the Cable Overmold onto the tabs of the Cable Management Bracket.



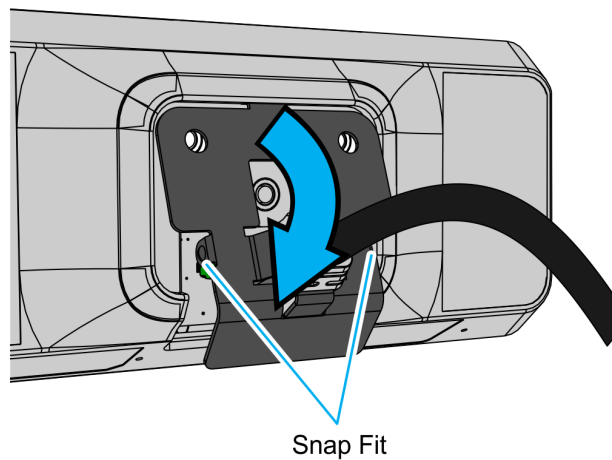
CCP-70304

5. Route the excess cable to the right and around the board connector and install the Cable Management Bracket. Insert the tab of the Cable Management Bracket into the slot in the Rear Cover. Pivot the bracket as shown until it snaps into position.

Note: Ensure that the cables are not pinched when installing the bracket.

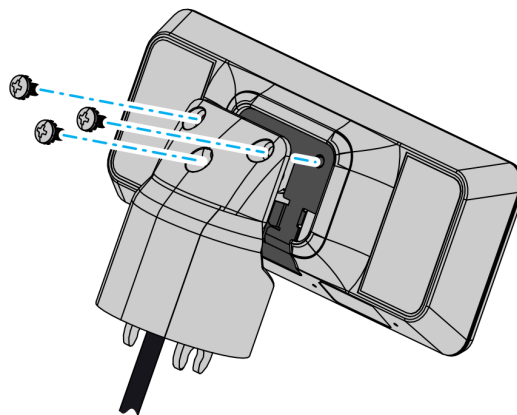


CCP-70308



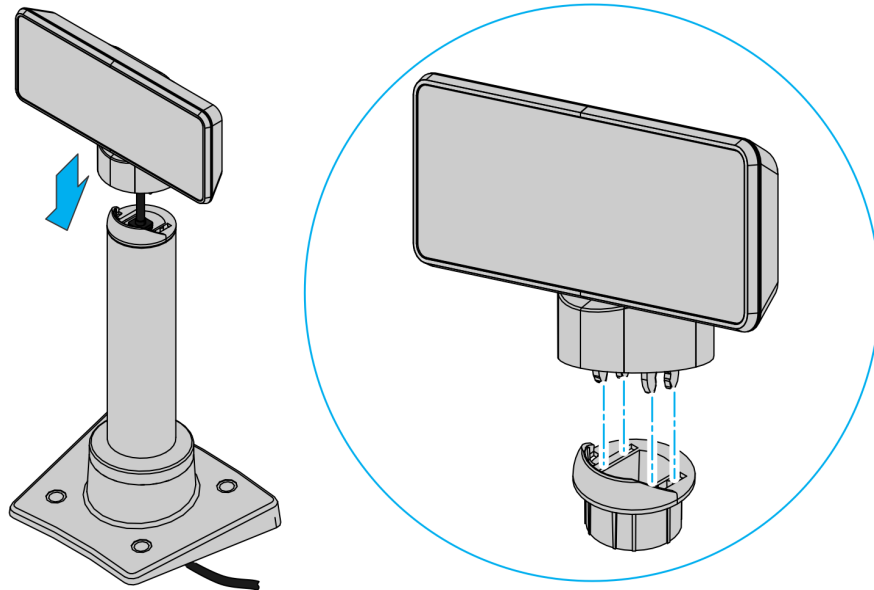
CCP-70305

6. Install the Swivel Bracket by using the three M4x8 screws.



CCP-70306

7. Connect the display to the post assembly.



CCP-70302

8. Connect the terminal end of the Display Cable to the host terminal.

- **RS-232 Interface (Powered)**

Connect the I/F cable to a powered RS-232 connector on the terminal.

Configure the terminal serial port as follows:

9600 baud, 8 data bits, 1 start bit, 1 stop bit, No parity

- **USB Interface (Powered)**

Connect the I/F cable to a powered 12V USB + Power connector on the terminal.

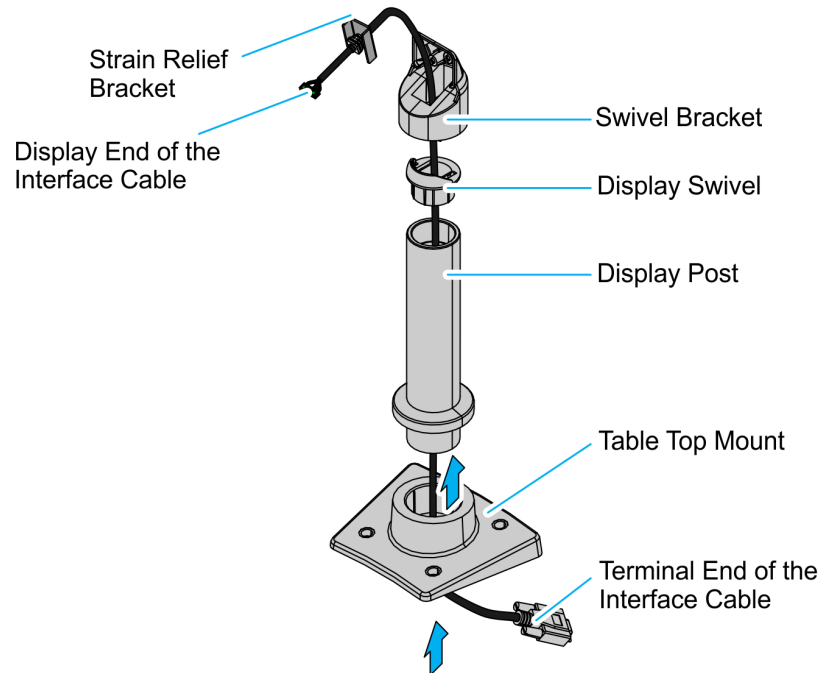
- **USB Interface (Non-Powered)**

Connect the I/F cable to a non-powered USB connector on the terminal. Connect a Power Brick to the I/F cable and an AC outlet.

Using Strain Relief Bracket

1. Route the display end of the Interface Cable through the Table Top Mount (5934-K021), the Display Post (5934-K021), the Display Swivel (5977-K160), and the Swivel Bracket.

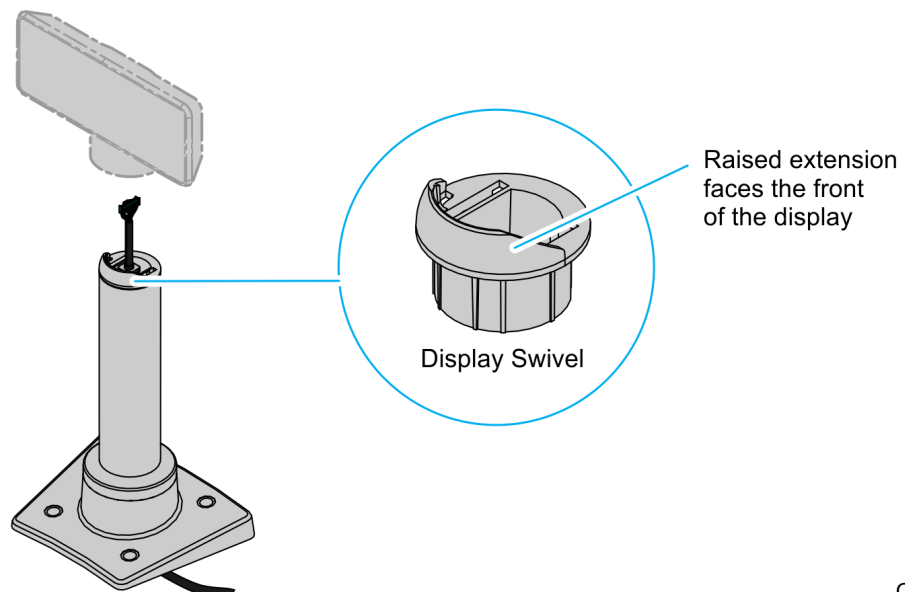
Note: The Strain Relief Bracket may be installed later.



CCP-70103

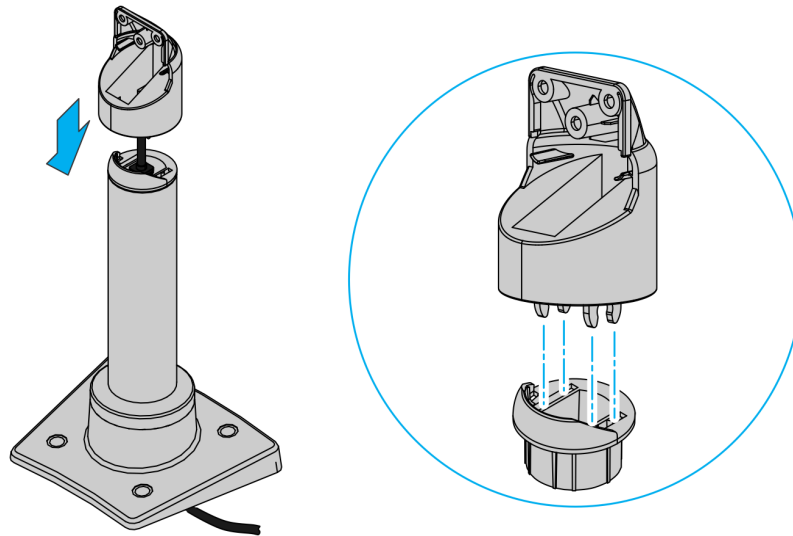
2. Assemble the post components.

Note: The raised extension of the Display Swivel is facing the front of the unit, which permits the Display to be tilted towards the back.



CCP-70301

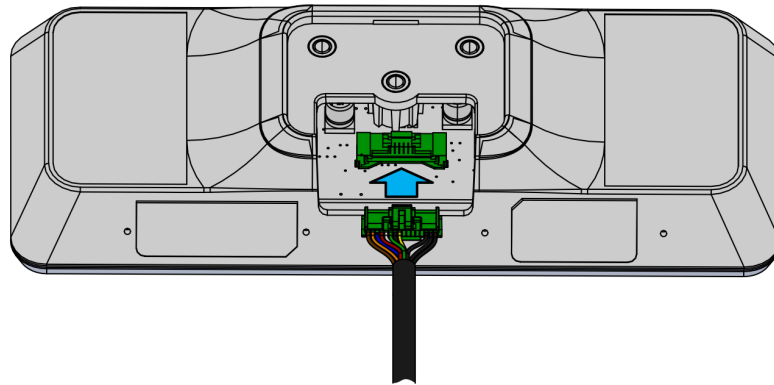
3. Attach the Swivel Bracket to the Display Swivel.



CCP-70104

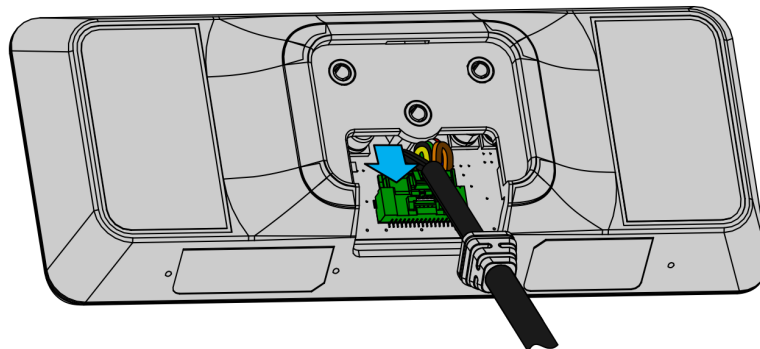
4. Connect the Interface Cable to the Display Module connector until the latch is engaged. Ensure that the latch is properly engaged by gently tugging on the cable.

5977-1000



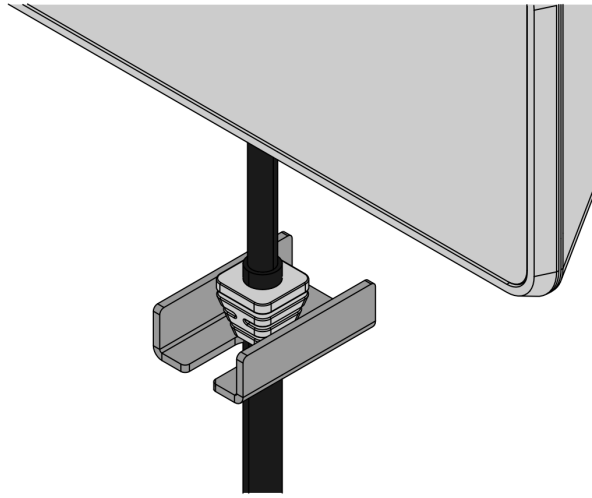
CCP-70303

5977-2000



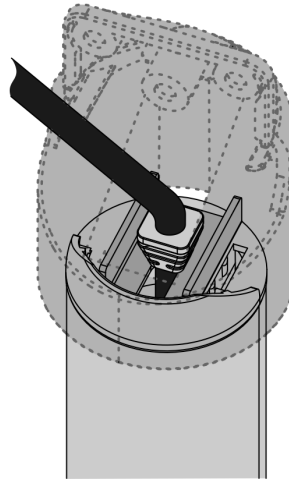
CCP-70108

5. Attach the Strain Relief Bracket.
 - a. Attach the Strain Relief Bracket to the cable, right below the Cable Overmold.




CCP-70105

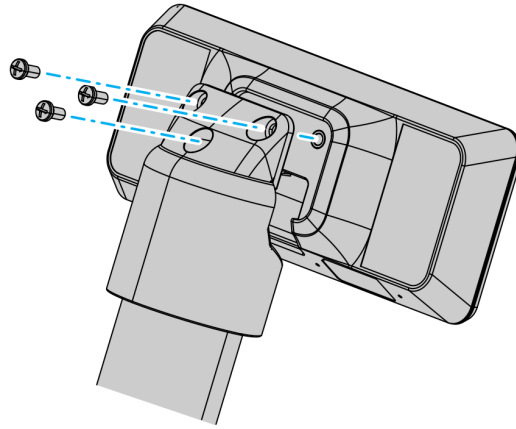
- b. Carefully pull the cable down so the Strain Relief Bracket fits in the middle of the Swivel Bracket and rests on top of the Display Swivel.



CCP-70106

6. Attach the display to the Swivel Bracket by using the three M4x8 screws.

 **Note:** Ensure that no cables are pinched.



CCP-70107

7. Connect the terminal end of the Display Cable to the host terminal.

- **RS-232 Interface (Powered)**

Connect the I/F cable to a powered RS-232 connector on the terminal.

Configure the terminal serial port as follows:

9600 baud, 8 data bits, 1 start bit, 1 stop bit, No parity

- **USB Interface (Powered)**

Connect the I/F cable to a powered 12V USB + Power connector on the terminal.

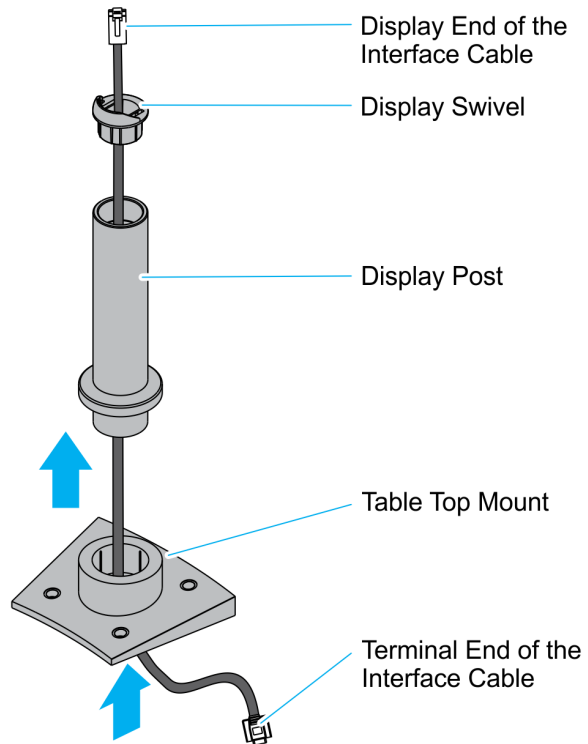
- **USB Interface (Non-Powered)**

Connect the I/F cable to a non-powered USB connector on the terminal. Connect a Power Brick to the I/F cable and an AC outlet.

5976 Customer Display

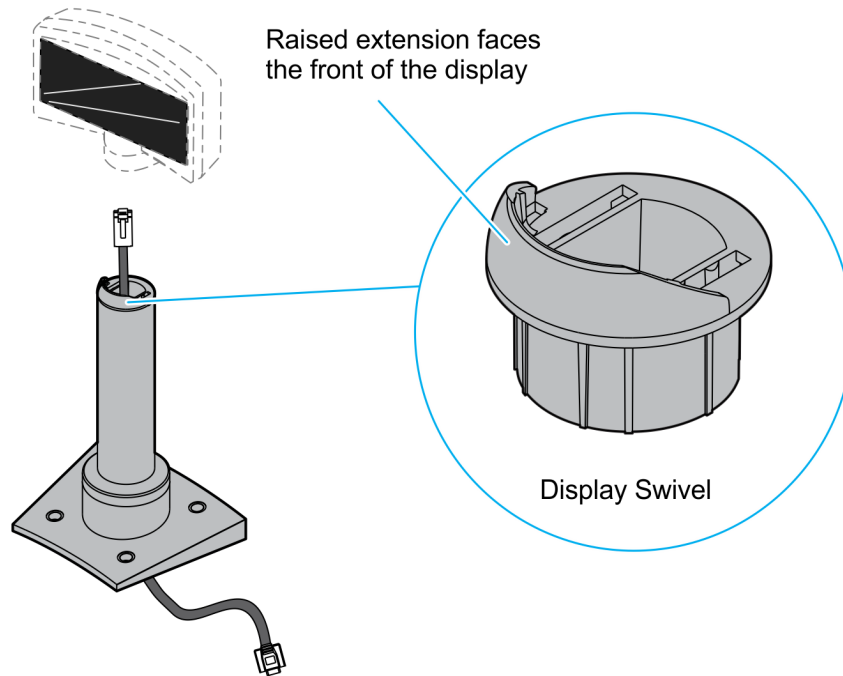
1. Route the display end of the Interface Cable through the Table Top Mount (5934-K021), the Display Post (5934-K021), and the Display Swivel (5977-K160).

Note: The terminal end of the Interface Cable is too large to fit down through the post.



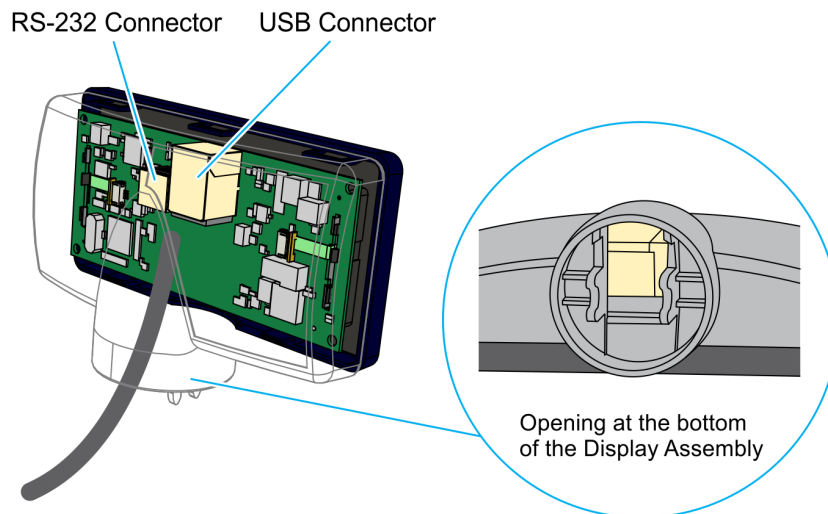
2. Assemble the post components.

- Note:** The raised extension of the Display Swivel is oriented toward the front of the unit, which permits the Display to be tilted to the rear.



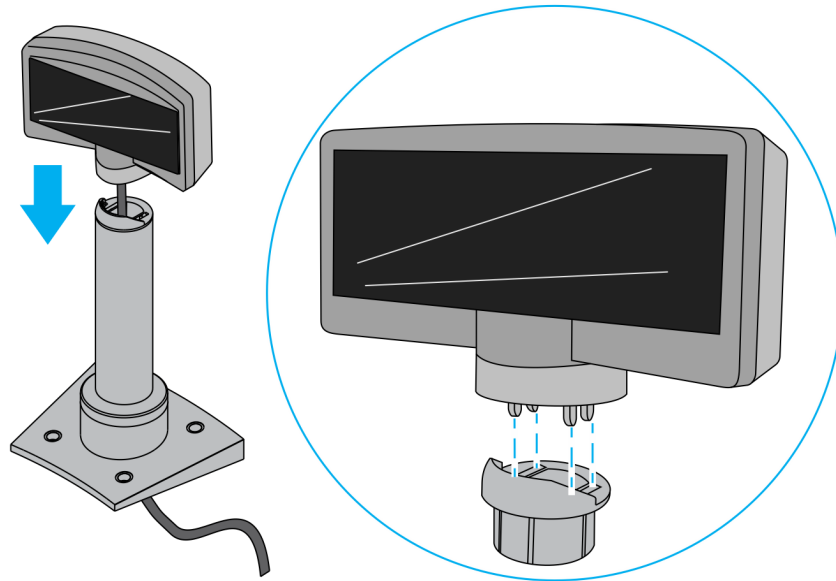
33175

3. Insert the Interface Cable through the opening at the bottom of the Display Assembly and connect the Interface Cable to the designated connector on the Display Module.



33185

4. Connect the display to the post assembly



33178

5. Connect the terminal end of the Display Cable to the host terminal.

- **RS-232 Interface (Powered)**

Connect the I/F cable to a powered RS-232 connector on the terminal.

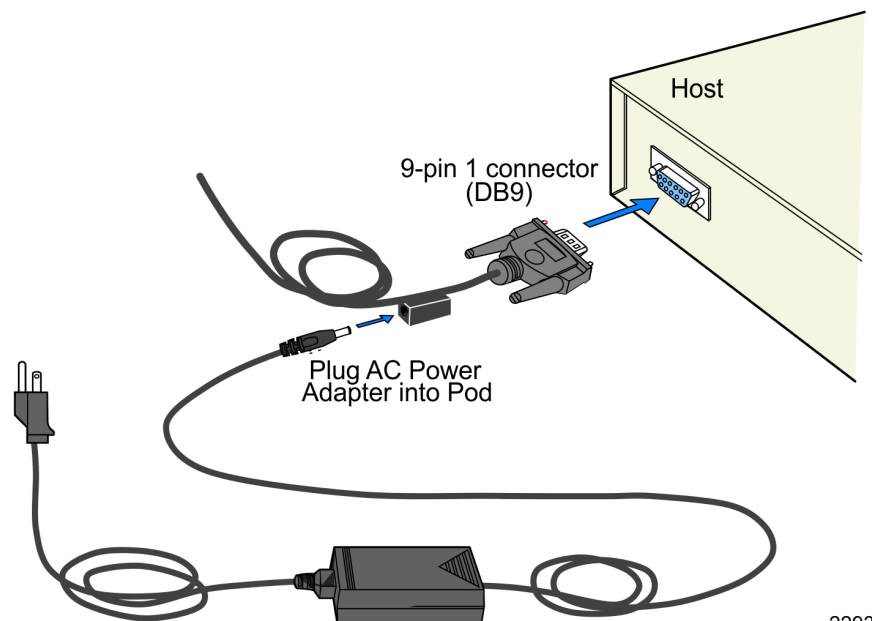
- **RS-232 Interface (Non-Powered)**

Connect the I/F cable to a non-powered RS-232 connector on the terminal.

Connect a Power Brick to the I/F cable and an AC outlet.

Configure the terminal serial port as follows:

9600 baud, 8 data bits, 1 start bit, 1 stop bit, No parity



22934

- **USB Interface (Powered)**

Connect the I/F cable to a powered 12V USB + Power connector on the terminal.

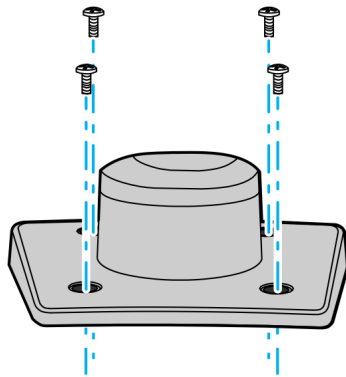
- **USB Interface (Non-Powered)**

Connect the I/F cable to a non-powered USB connector on the terminal. Connect a Power Brick to the I/F cable and an AC outlet.

5910 Display on 5934-K021

To install the 5910 Display on the 12" Pole and Counter Mount Kit (5934-K021), follow these steps:

1. Depending on the length of the cable used, locate the Display Mount within **4 meters** (13 ft.) of the host terminal.
2. Determine if the cable should be routed down through the mounting surface or if it should be run on top of the surface. Drill a hole if necessary.
3. Secure the Table Top Mount (5934-K021) with screws (4) that are appropriate for the mounting surface.



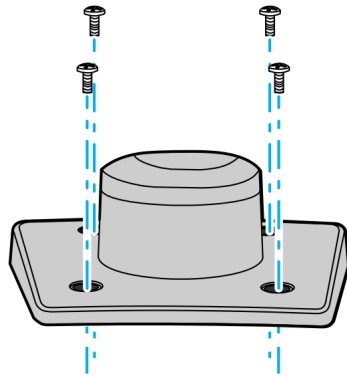
22930

4. Install the 5910 Display, Pole Mount Bracket (5910-K302), and Pole. For more information, refer to [5910-K302 Pole Mount Bracket, 10.1" Display Kit Instructions](#).

5907 Display on 5934-K021

To install the 5907 Display on the 12" Pole and Counter Mount Kit (5934-K021), follow these steps:

1. Depending on the length of the cable used, locate the Display Mount within **4 meters** (13 ft.) of the host terminal.
2. Determine if the cable should be routed down through the mounting surface or if it should be run on top of the surface. Drill a hole if necessary.
3. If you are installing the 5907 Display with a post greater than **215 mm** (8.5 in.), secure the Table Top Mount (5934-K021) with screws (4) that are appropriate for the mounting surface.



22930

4. Install the 5907 Display, Swivel Mount (5977-K160), Standalone Pole Mount/Tilt (5907-K302) and Pole. For more information, refer to [5907-K302 XL7W Standalone Pole Mount/Tilt Kit Instructions](#).