

Kit Instructions

Pole Assembly with Integration Tray Mount

5976-K902/K903
Issue A



The product described in this document is a licensed product of NCR Corporation.

NCR is a registered trademark of NCR Corporation. NCR RealPOS is a trademark of NCR Corporation in the United States and/or other countries. Other product names mentioned in this publication may be trademarks or registered trademarks of their respective companies and are hereby acknowledged.

The terms HDMI and HDMI High-Definition Multimedia Interface, and the HDMI Logo are trademarks or registered trademarks of HDMI Licensing LLC in the United States and other countries.

Where creation of derivative works, modifications or copies of this NCR copyrighted documentation is permitted under the terms and conditions of an agreement you have with NCR, NCR's copyright notice must be included.

It is the policy of NCR Corporation (NCR) to improve products as new technology, components, software, and firmware become available. NCR, therefore, reserves the right to change specifications without prior notice.

All features, functions, and operations described herein may not be marketed by NCR in all parts of the world. In some instances, photographs are of equipment prototypes. Therefore, before using this document, consult with your NCR representative or NCR office for information that is applicable and current.

To maintain the quality of our publications, we need your comments on the accuracy, clarity, organization, and value of this book. Please use the link below to send your comments.

Email: FD230036@ncr.com

Copyright © 2018
By NCR Corporation
Duluth, GA U.S.A.
All Rights Reserved

Revision Record

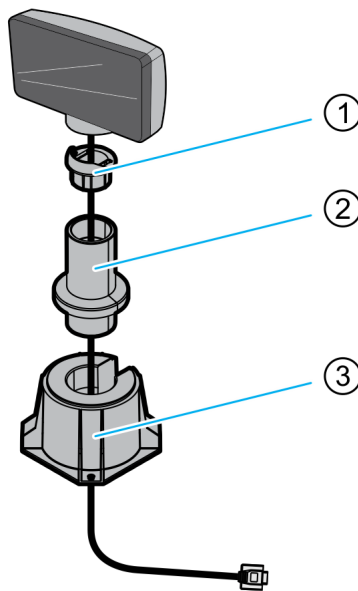
Issue	Date	Remarks
A	Jun 2017	First Issue

Pole Assembly with Integration Tray Mount

Introduction

This kit provides the components to mount NCR 5976 Customer Display in an integration tray mount.

Kit Contents



CCP-71997

The following tables show the two versions of this kit.

5976-K902 — 5976 Pole Assembly with Integration Tray Mount, Beige

1	497-0440927	5975 Customer Display Swivel Mount, G11
2	497-0440769	5975 Customer Display Integration Pole, 4 Inch, G11
3	497-0427331	Customer Display Post, G11, 7606

5976-K903 — 5976 Pole Assembly with Integration Tray Mount, Black

1	497-0440929	5975 Customer Display Swivel Mount, Blk7
2	497-0440777	5975 Customer Display Integration Pole, 4 Inch, Blk7
3	497-0427333	Customer Display Post, BLK7, 7606

Tools Required

The following tool is required to install this kit:

- #2 Phillips Screwdriver



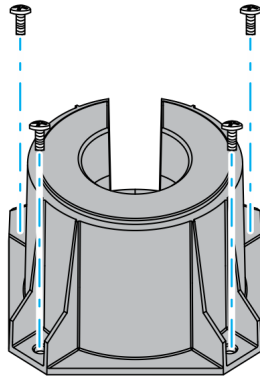
Note: It is highly recommended to use magnetized screwdrivers to easily handle the screws.

Installation Procedures

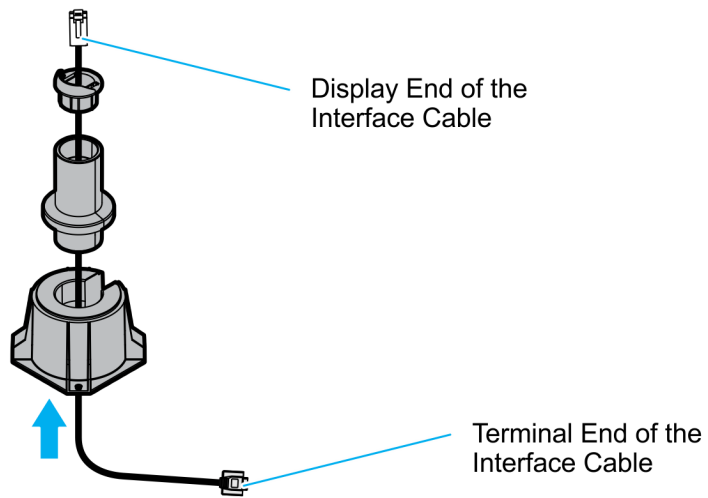
1. Locate the Display Mount within **4 meters** (13 ft.) of the host terminal.
2. Determine if the cable should be routed down through the mounting surface or if it should be run on top of the surface. Drill a hole if necessary.
3. If you are installing with a post greater than **215 mm** (8.5 in.), secure the Base Plate with screws.



Note: Screws are not included in the kit.



4. Route the display end of the Interface Cable through the Display Post, the Integration Pole, and the Display Swivel.

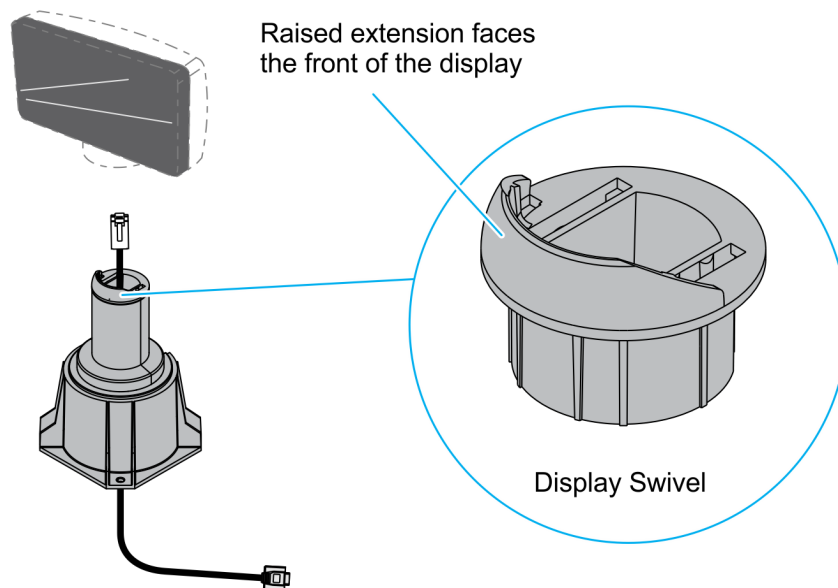


CCP-71996

5. Assemble the post components.

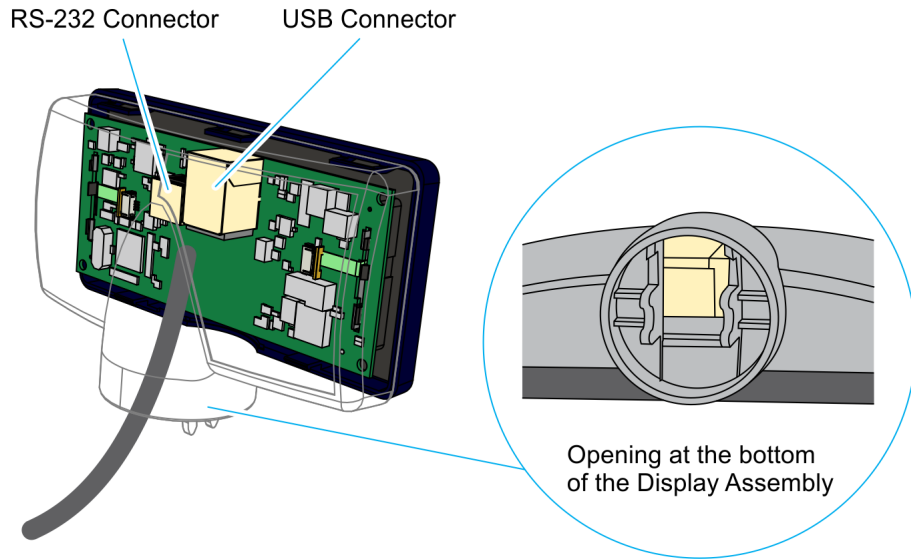


Note: The raised extension of the Display Swivel is facing the front of the unit, which permits the Display to be tilted towards the back.



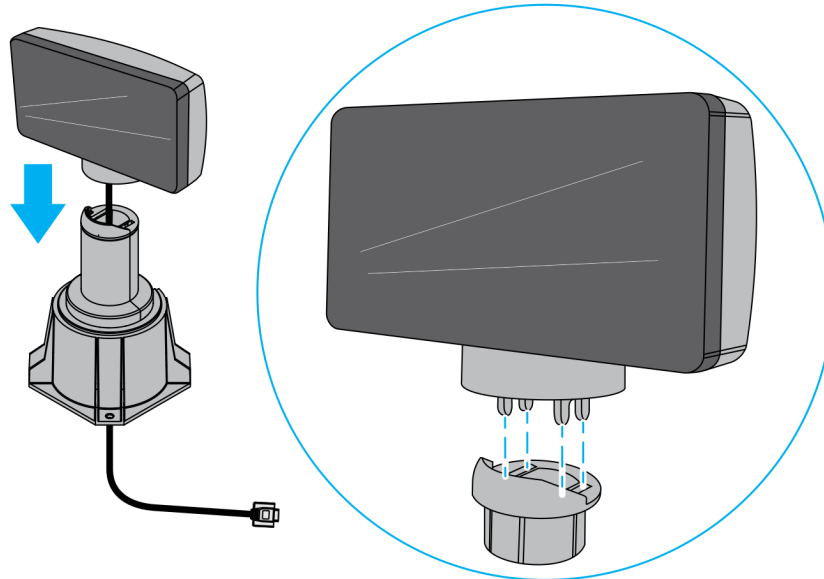
CCP-71999

6. Connect the Interface Cable to the Display Module by inserting the Interface Cable through the opening at the bottom of the Display Assembly and to the designated connector on the Display Module.



33185

7. Connect the display to the post assembly.



CCP-71995

8. Connect the terminal end of the Display Cable to the host terminal.

- **RS-232 Interface (Powered)**

Connect the I/F cable to a powered RS-232 connector on the terminal.

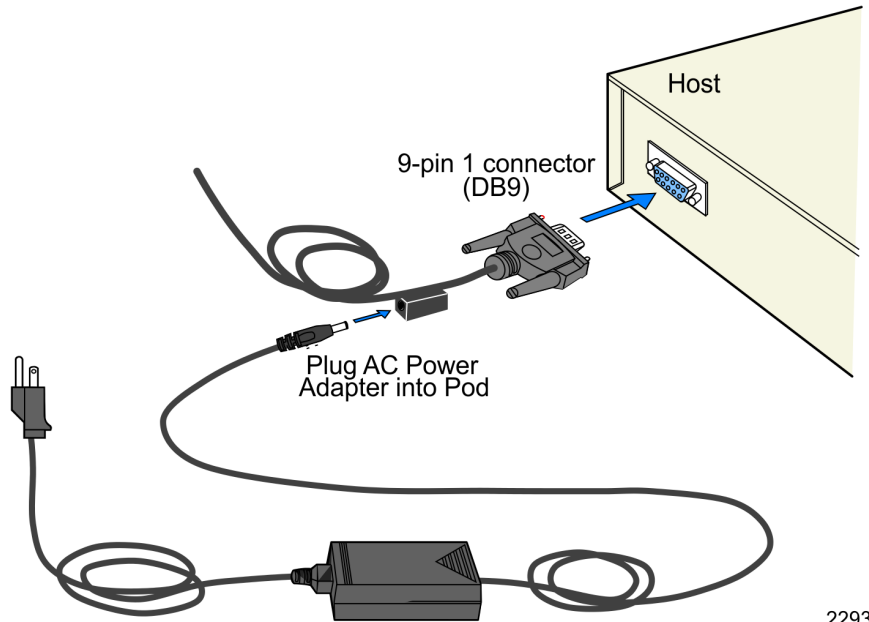
- **RS-232 Interface (Non-Powered)**

Connect the I/F cable to a non-powered RS-232 connector on the terminal.

Connect a Power Brick to the I/F cable and an AC outlet.

Configure the terminal serial port as follows:

9600 baud, 8 data bits, 1 start bit, 1 stop bit, No parity



- **USB Interface (Powered)**

Connect the I/F cable to a powered 12V USB + Power connector on the terminal.

- **USB Interface (Non-Powered)**

Connect the I/F cable to a non-powered USB connector on the terminal. Connect a Power Brick to the I/F cable and an AC outlet.