

# KIT INSTRUCTIONS

No MSR Cover

5967-K163  
Issue A



---

The product described in this book is a licensed product of NCR Corporation.

NCR is a registered trademark of NCR Corporation. NCR RealPOS is a trademark of NCR Corporation in the United States and/or other countries. Other product names mentioned in this publication may be trademarks or registered trademarks of their respective companies and are hereby acknowledged.

The terms HDMI and HDMI High-Definition Multimedia Interface, and the HDMI Logo are trademarks or registered trademarks of HDMI Licensing LLC in the United States and other countries.

Where creation of derivative works, modifications or copies of this NCR copyrighted documentation is permitted under the terms and conditions of an agreement you have with NCR, NCR's copyright notice must be included.

It is the policy of NCR Corporation (NCR) to improve products as new technology, components, software, and firmware become available. NCR, therefore, reserves the right to change specifications without prior notice.

All features, functions, and operations described herein may not be marketed by NCR in all parts of the world. In some instances, photographs are of equipment prototypes. Therefore, before using this document, consult with your NCR representative or NCR office for information that is applicable and current.

To maintain the quality of our publications, we need your comments on the accuracy, clarity, organization, and value of this book. Please use the link below to send your comments.

*Email:* [FD230036@ncr.com](mailto:FD230036@ncr.com)

Copyright © 2016  
By NCR Corporation  
Duluth, GA U.S.A.  
All Rights Reserved

## Revision Record

Issue	Date	Remarks
A	Feb 2016	First Issue

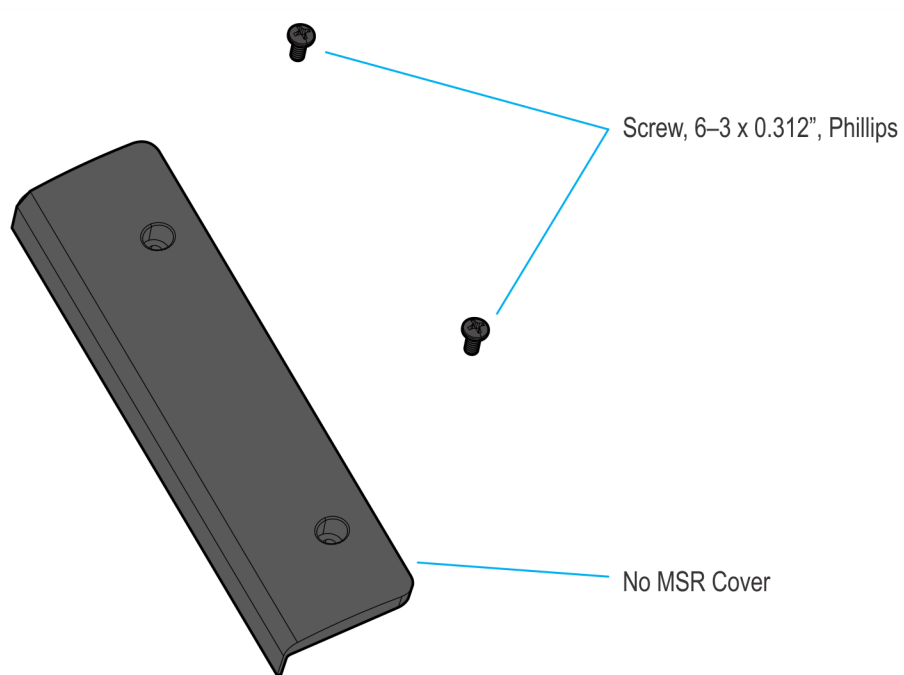
---

# No MSR Cover

---

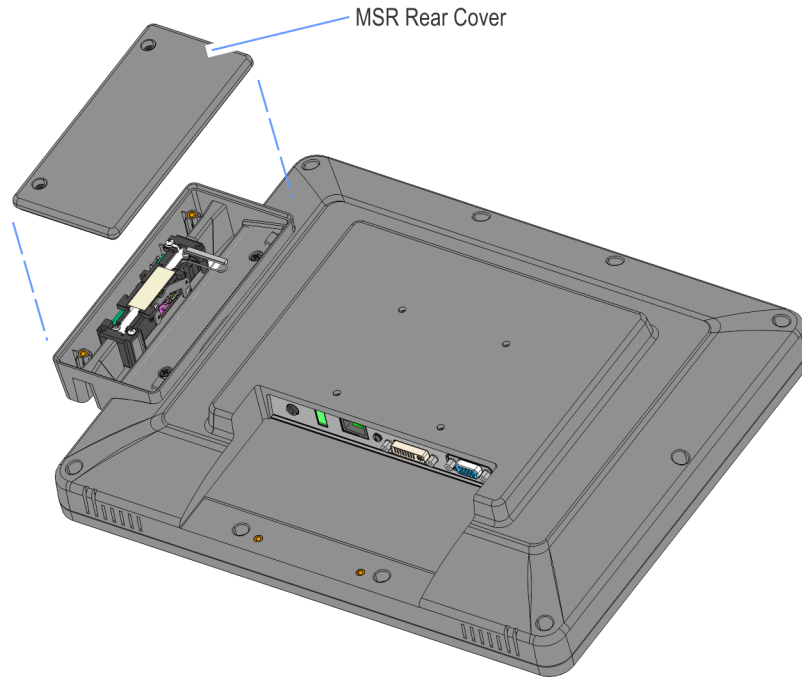
This kit contains the components to add a No MSR Cover to the NCR RealPOS 5967 LCD. It contains ten (10) sets to modify ten (10) units.

## Kit Contents



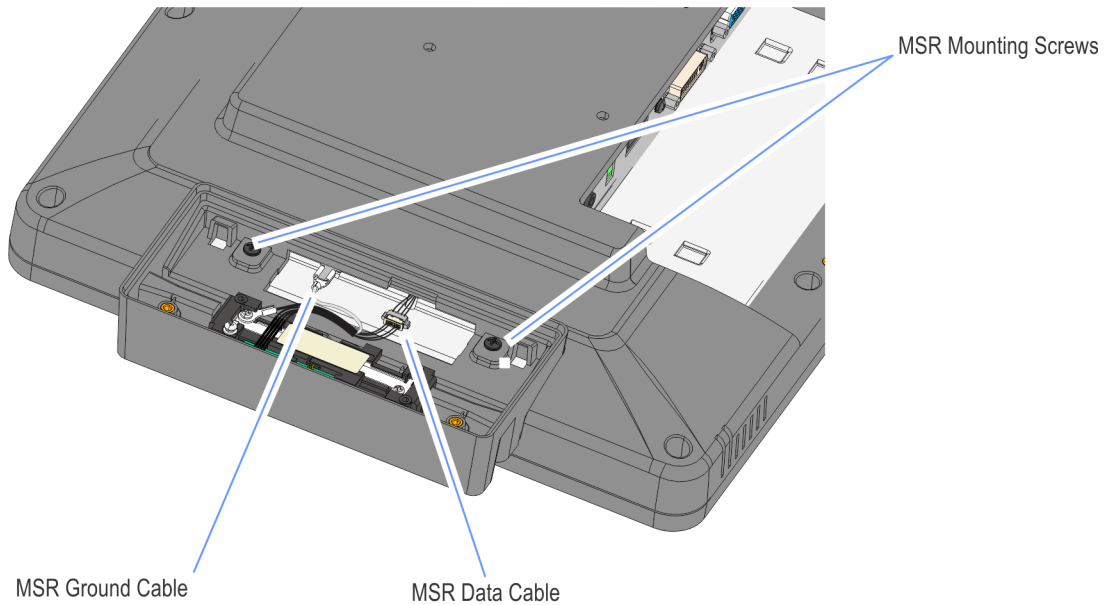
# Installation Procedure

1. Remove the MSR Cover (2 captive screws).



31423

2. Disconnect the MSR Data Cable from the MSR Extension Cable and the Ground Cable from the chassis lug.
3. Remove the MSR Assembly (2 screws).



31424

4. Install the No MSR Cover on the back of the NCR RealPOS 5967 (2 screws).

