

5967-K120,K121,K124, K125

MSR

Kit Instructions

TE NCR NCR 18378 NCR 02193Z SUPP 22 NCR 02193Z NCR NCR NCR 02193Z



The product described in this book is a licensed product of NCR Corporation.

NCR is a registered trademark of NCR Corporation. NCR RealPOS is a trademark of NCR Corporation in the United States and/or other countries. Other product names mentioned in this publication may be trademarks or registered trademarks of their respective companies and are hereby acknowledged.

The terms HDMI and HDMI High-Definition Multimedia Interface, and the HDMI Logo are trademarks or registered trademarks of HDMI Licensing LLC in the United States and other countries.

Where creation of derivative works, modifications or copies of this NCR copyrighted documentation is permitted under the terms and conditions of an agreement you have with NCR, NCR's copyright notice must be included.

It is the policy of NCR Corporation (NCR) to improve products as new technology, components, software, and firmware become available. NCR, therefore, reserves the right to change specifications without prior notice.

All features, functions, and operations described herein may not be marketed by NCR in all parts of the world. In some instances, photographs are of equipment prototypes. Therefore, before using this document, consult with your NCR representative or NCR office for information that is applicable and current.

To maintain the quality of our publications, we need your comments on the accuracy, clarity, organization, and value of this book.

Address correspondence to:

Manager, Information Solutions Group
NCR Corporation
Discovery Centre, 3 Fulton Road
Dundee, DD2 4SW
Scotland

Internet Address:

<http://www.info.ncr.com/Feedback>

Copyright © 2014
By NCR Corporation
Duluth, GA U.S.A.
All Rights Reserved

Revision Record

Issue	Date	Remarks
A	Oct 2014	First Issue

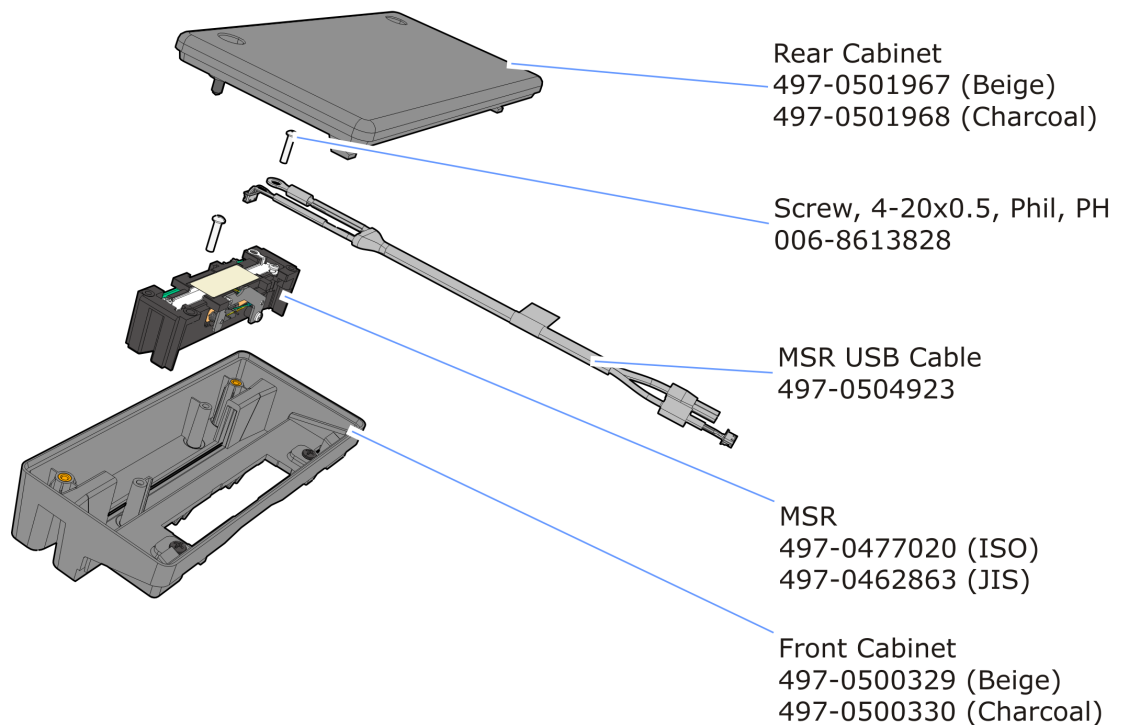
Introduction

This kit provides an optional magnetic stripe reader (MSR) that mounts on the side of the 5943/5967 displays. The MSR can be installed on both the 12-inch and 15-inch models.

There are four versions of the MSR.

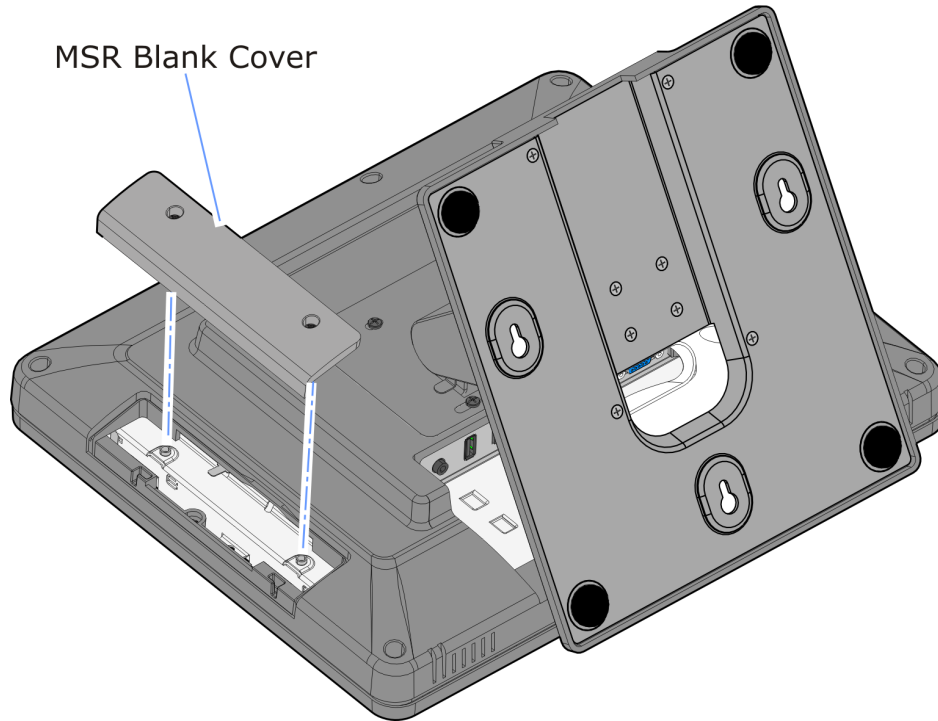
Kit Number	Description
5967-K120	JIS 3-Track USB (Beige)
5967-K121	JIS 3-Track USB (Charcoal)
5967-K125	ISO 3-Track USB ISO Prog., OPOS/JavaPOS USB HID (Beige)
5967-K126	ISO 3-Track USB ISO Prog., OPOS/JavaPOS USB HID (Charcoal)

Kit Contents



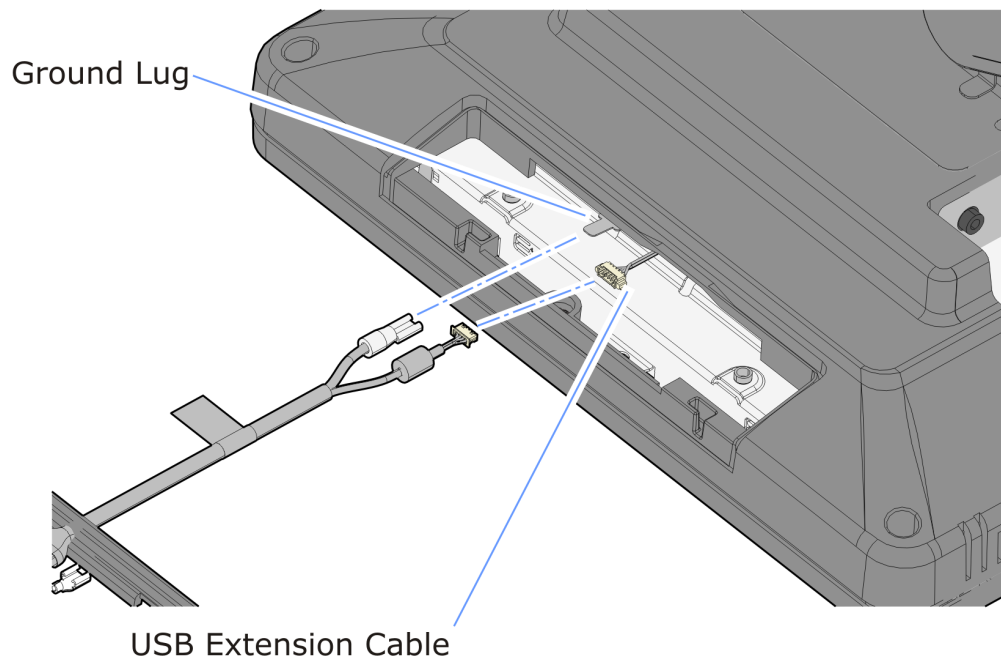
Installation Procedures

1. Lay the display face down on a flat surface.
2. Remove the MSR Blank Cover from the display.



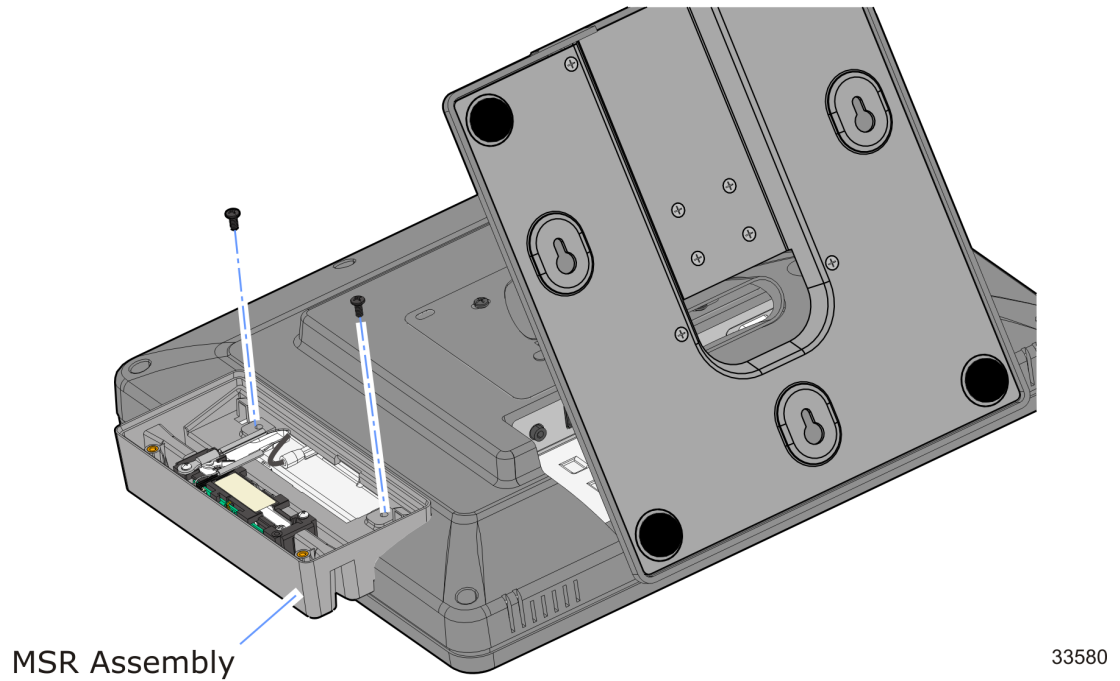
33578

3. Connect the MSR Cable to the USB Extension Cable and the Ground Lug on the display.

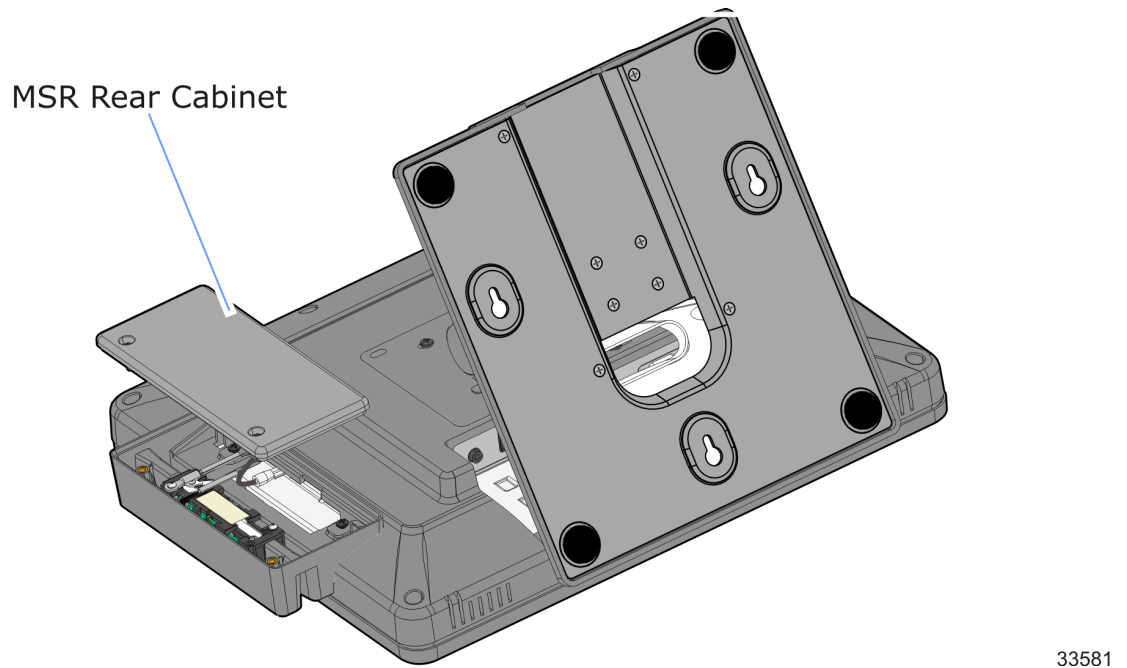


33579

4. Install the MSR Assembly on the display (2 screws).



5. Install the MSR Rear Cabinet on the MSR Assembly (2 screws).



MSR Configuration

See the *MSR Configuration User Guide* (B005-0000-2031) for information about how to configure and reprogram the MSR.

