

5964-K030/K031

# **Standard Remote Table**

## **Top Mount**

Kit Instructions



Issue B

---

The product described in this book is a licensed product of NCR Corporation.

NCR is a registered trademark of NCR Corporation.

NCR RealPOS is either a registered trademark or trademark of NCR Corporation in the United States and/or other countries.

It is the policy of NCR Corporation (NCR) to improve products as new technology, components, software, and firmware become available. NCR, therefore, reserves the right to change specifications without prior notice.

All features, functions, and operations described herein may not be marketed by NCR in all parts of the world. In some instances, photographs are of equipment prototypes. Therefore, before using this document, consult with your NCR representative or NCR office for information that is applicable and current.

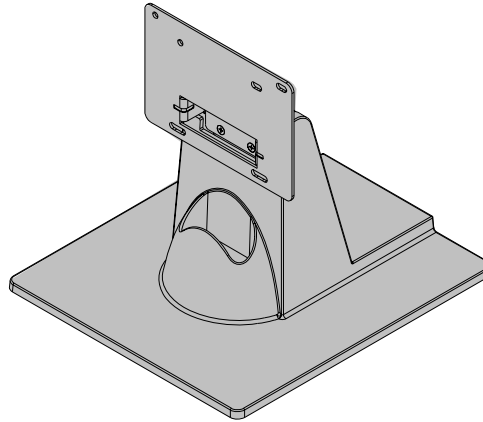
To maintain the quality of our publications, we need your comments on the accuracy, clarity, organization, and value of this book.

Address correspondence to:

Manager, Information Products  
NCR Corporation  
2651 Satellite Blvd.  
Duluth, GA 30096

Copyright © 2003  
By NCR Corporation  
Dayton, Ohio U.S.A.  
All Rights Reserved

## Introduction



21151b

This kit provides a base to mount a display remotely on a table top. Displays supported are:

- NCR 5966 Touch LCD
- NCR 5965 Touch LCD
- NCR 5964 Touch LCD
- NCR 5953 12.1-Inch DynaKey
- NCR 5954 15-Inch Next Generation DynaKey
- NCR 5942 LCD Display

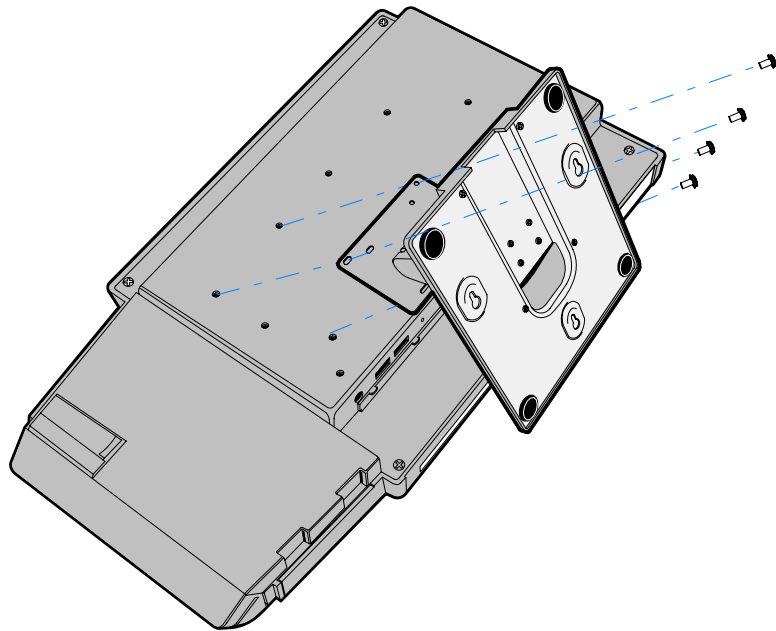
There are two versions of this kit.

Kit No.	Description
5964-K030	Standard Remote Table Top Mount (Beige, G11)
5964-K031	Standard Remote Table Top Mount (Charcoal Gray, CG1)

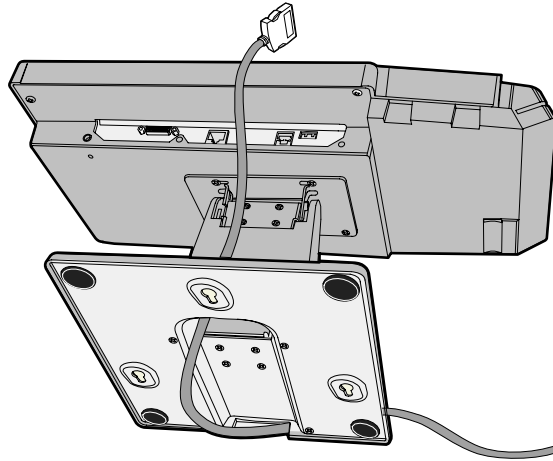
## Installation Procedures

1. Install the mount onto the back of the Operator Display (4 screws).

**Note:** The back of the DynaKey has two sets of screw holes for mounting the base, depending on user preference.



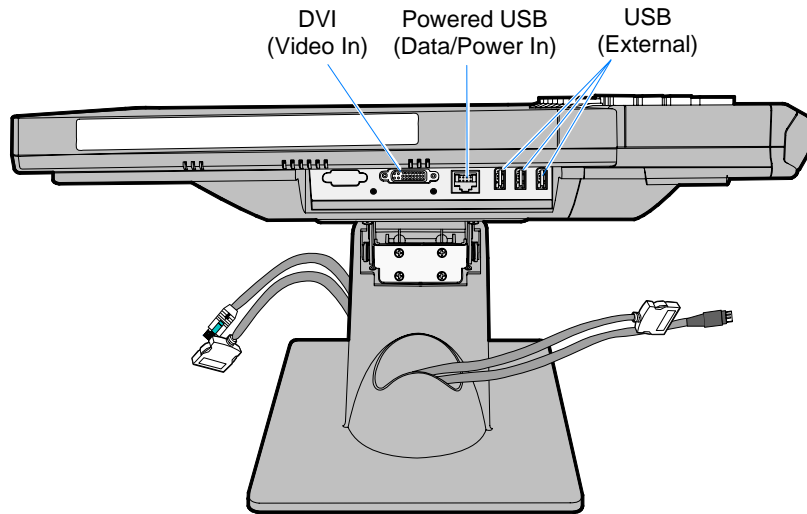
2. Route the cables down through the mount and out the back of the base.



21140

3. Connect the cables to the DynaKey.

- Connect the DVI cable to the DynaKey DVI connector.
- Connect external USB devices to the DynaKey USB connectors (optional).
- Connect the Powered USB cable to the DynaKey Powered USB connector.



23869

See your terminal *User Guide* for proper cable connections to the terminal.