

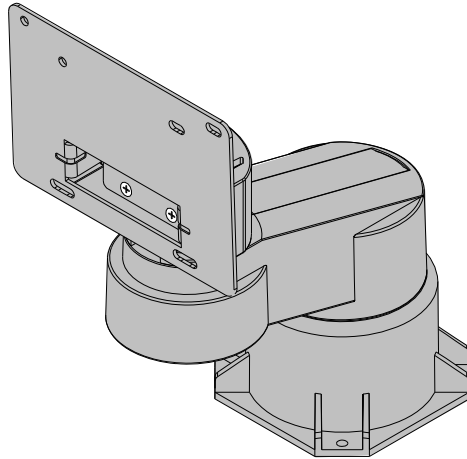
5964-K022/K023

Standard Integration Tray Display Mount Kit Instructions



Issue A

Introduction



21203a

This kit provides a display arm mount for integrating the following displays on an various NCR POS terminals.

- NCR 5964 Touch LCD
- NCR 5953 12.1-Inch USB DynaKey
- NCR 5953 12.1-Inch PS/2 DynaKey
- NCR 5954 15-Inch Next Generation DynaKey
- NCR 5942 LCD Display

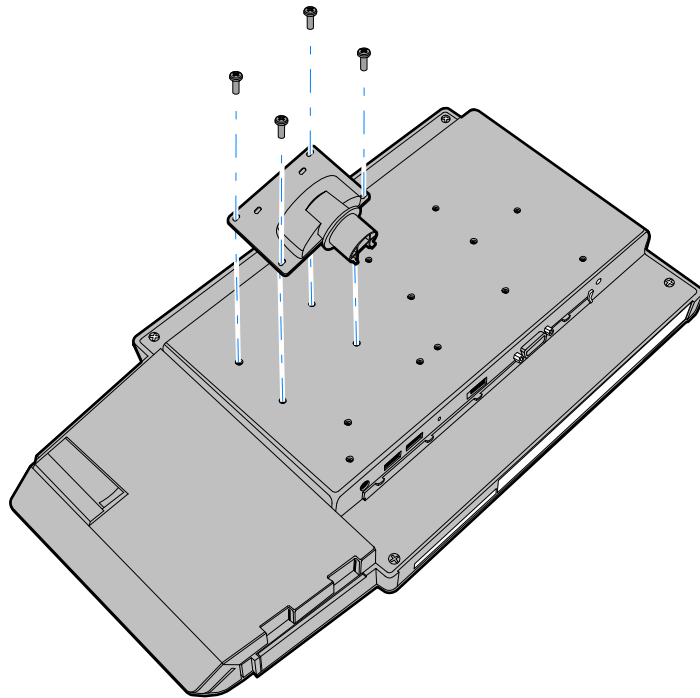
There are two versions of this mount.

Kit No.	Description
5964-K022	Standard Integration Tray Display Mount (Beige, G11)
5964-K023	Standard Integration Tray Display Mount (Black, CG1)

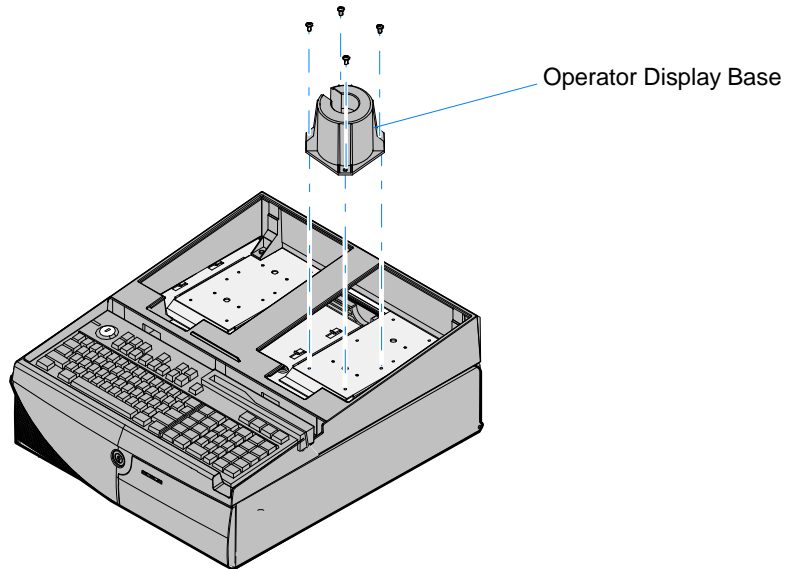
Installation Procedures

1. Screw (4) the Swivel Hinge onto the back of the display (DynaKey is show).

Note: The back of the DynaKey has two sets of screw holes for mounting the base, depending on user preference.

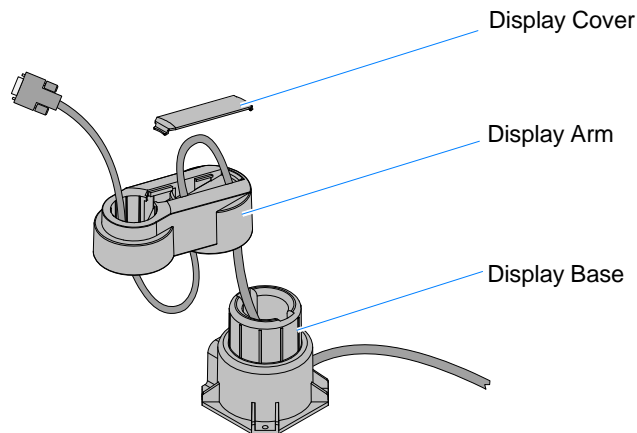


2. Install the Operator Display Base onto the Sheet Metal Undercarriage with screws (4).



21204

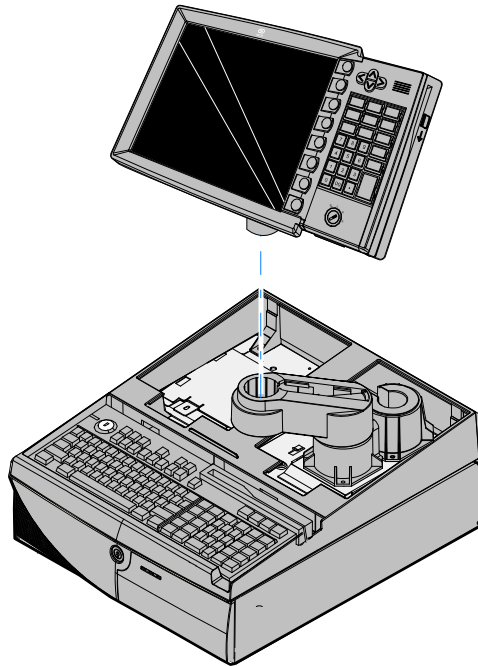
3. Route the cables through the Display Arms as shown below.



21202b

4. Install the Display Arm onto the Display Base.
5. Remove the excess slack in the cables and then install the Display Cover onto the Display Arm.

6. Insert the display into the Operator Display Arm.



23868

7. Route the display cables out the back of the cabinet.
8. See the user guide for your POS for instructions how to complete the installation and where to connect the cables.