

Kit Instructions

Biometrics Module

5954-K960/K961
Issue A



The product described in this document is a licensed product of NCR Corporation.

NCR is a registered trademark of NCR Corporation. NCR RealPOS is a trademark of NCR Corporation in the United States and/or other countries. Other product names mentioned in this publication may be trademarks or registered trademarks of their respective companies and are hereby acknowledged.

Where creation of derivative works, modifications or copies of this NCR copyrighted documentation is permitted under the terms and conditions of an agreement you have with NCR, NCR's copyright notice must be included.

It is the policy of NCR Corporation (NCR) to improve products as new technology, components, software, and firmware become available. NCR, therefore, reserves the right to change specifications without prior notice.

All features, functions, and operations described herein may not be marketed by NCR in all parts of the world. In some instances, photographs are of equipment prototypes. Therefore, before using this document, consult with your NCR representative or NCR office for information that is applicable and current.

To maintain the quality of our publications, we need your comments on the accuracy, clarity, organization, and value of this book. Please use the link below to send your comments.

Email: FD230036@ncr.com

Copyright © 2018
By NCR Corporation
Atlanta, GA U.S.A.
All Rights Reserved

Table of Contents

Biometrics Module

Introduction	1
Kit Components	1
Installation Procedures	2
Removing the Access Cover	2
Identifying the Screws	3
Removing the Keypad Bezel	4
Installing a Biometrics Module	5
Installing the Access Cover	6

Revision Record

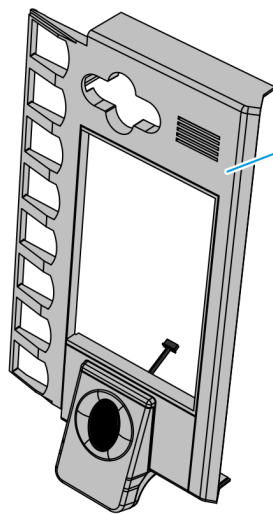
Issue	Date	Remarks
A	Jul 2018	First Issue

Biometrics Module

Introduction

This document provides procedures on how to install the Biometrics module.

Kit Components



Biometrics Module
5954-K960 Biometrics Module G11
5954-K961 Biometrics Module CG1

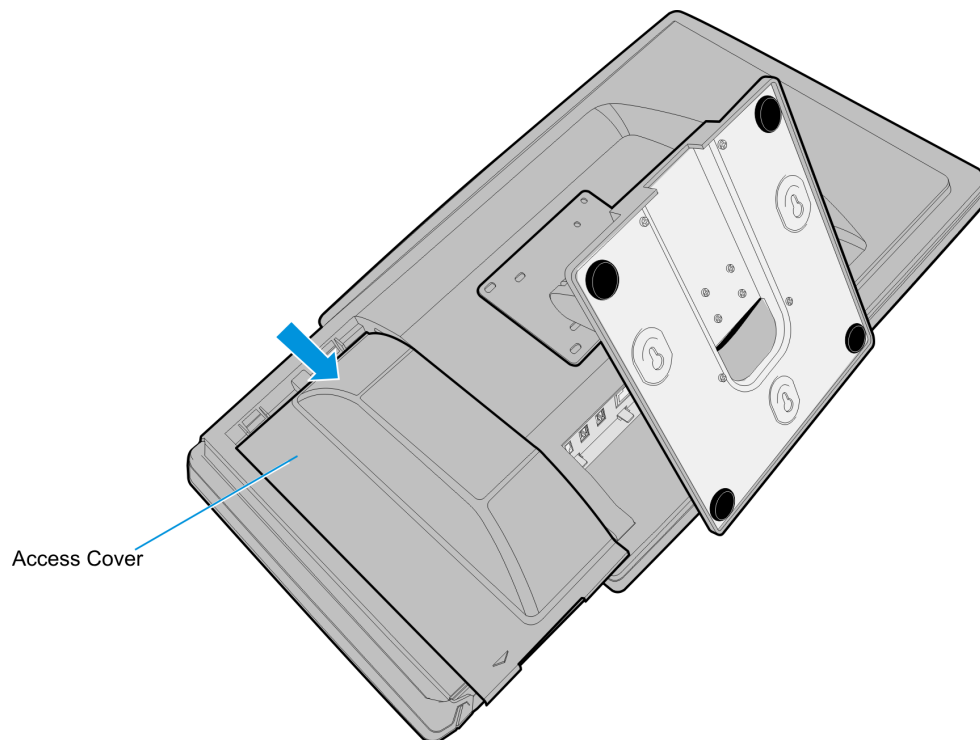
Installation Procedures

Installing the Biometrics module include the following procedures:

1. Remove the Access Cover.
2. Remove the old Keypad Bezel.
3. Install the Biometrics module.
4. Re-install the Access Cover.

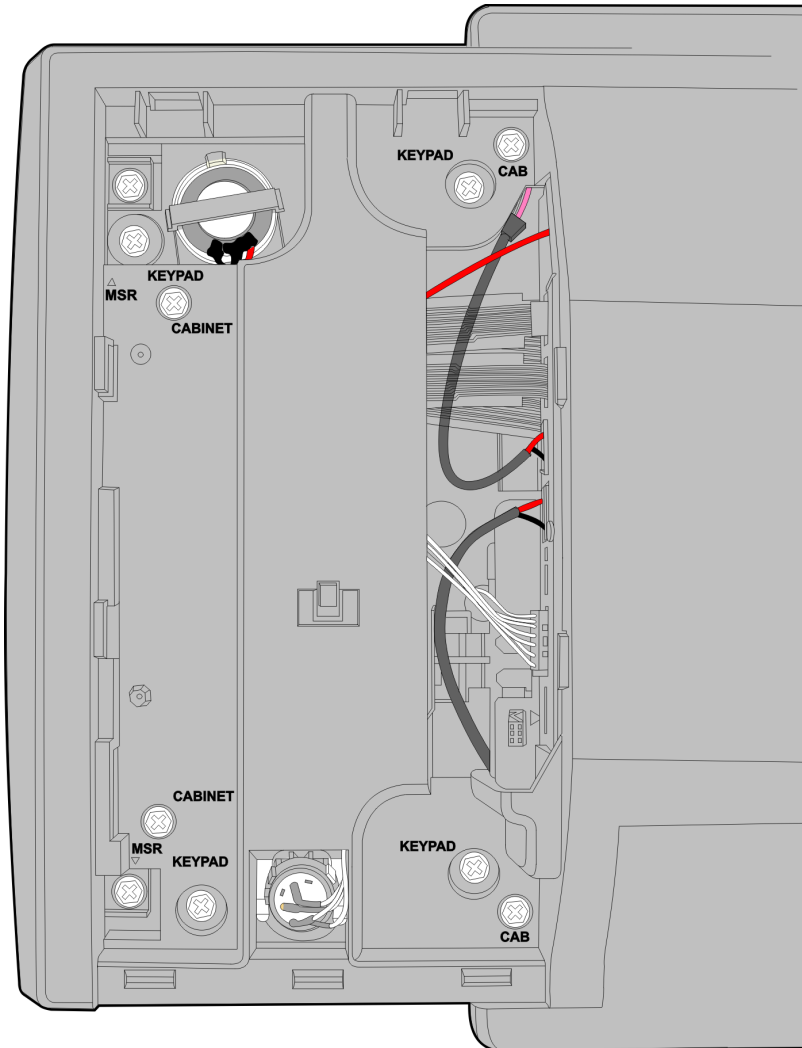
Removing the Access Cover

Remove the Access Cover by gently bumping it in the direction shown below and then remove it from the cabinet.



Identifying the Screws

As an aid for disassembling the DynaKey, several of the cabinet screws have been labeled. Use the illustration below along with the following sections to correctly identify the screws that are referenced.

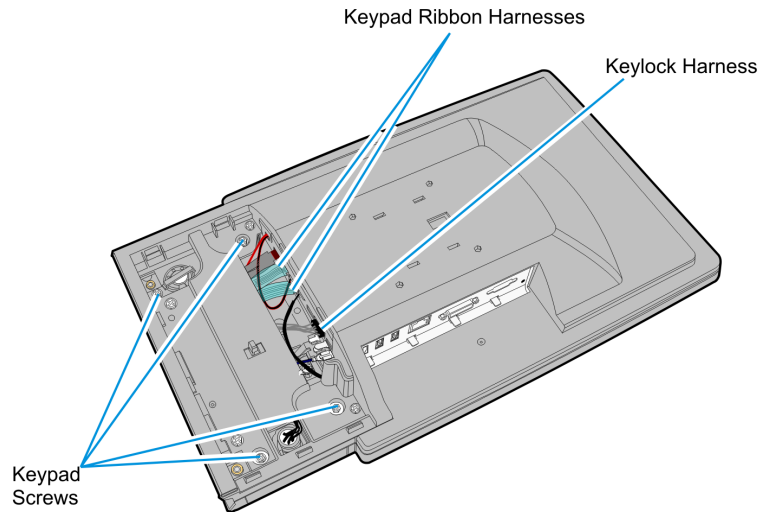


Removing the Keypad Bezel

1. Disconnect the Keypad Ribbon Harness (2) and the Keylock Harness.
2. Remove the screws (4) labeled Keypad. For more details, refer to [Identifying the Screws](#) on the previous page.

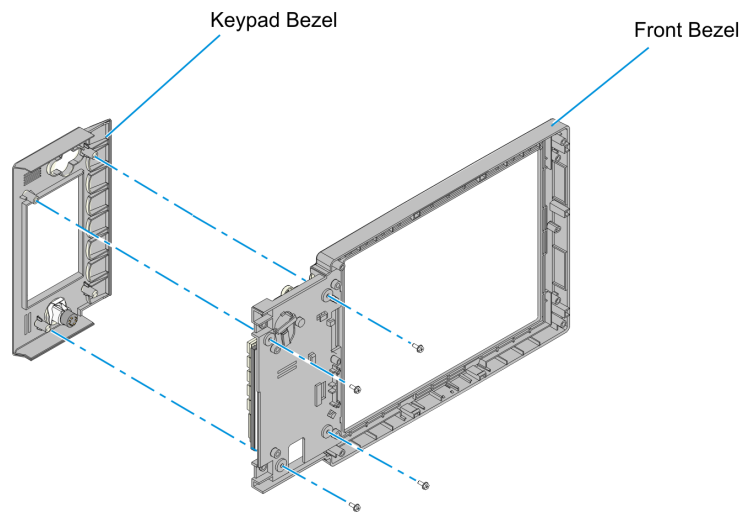


Note: Secure the screws. They will be used later to install the Biometrics module.



23893

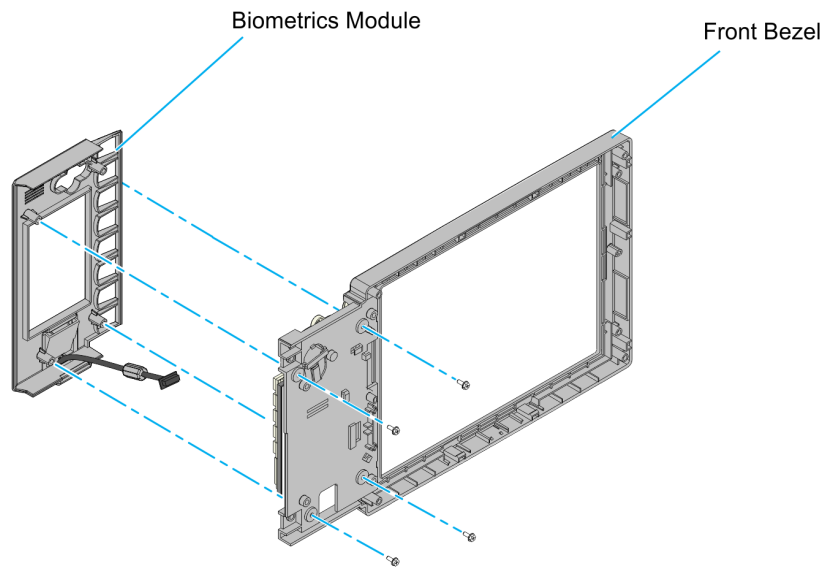
3. Remove the Keypad Bezel from the Front Bezel.



23898

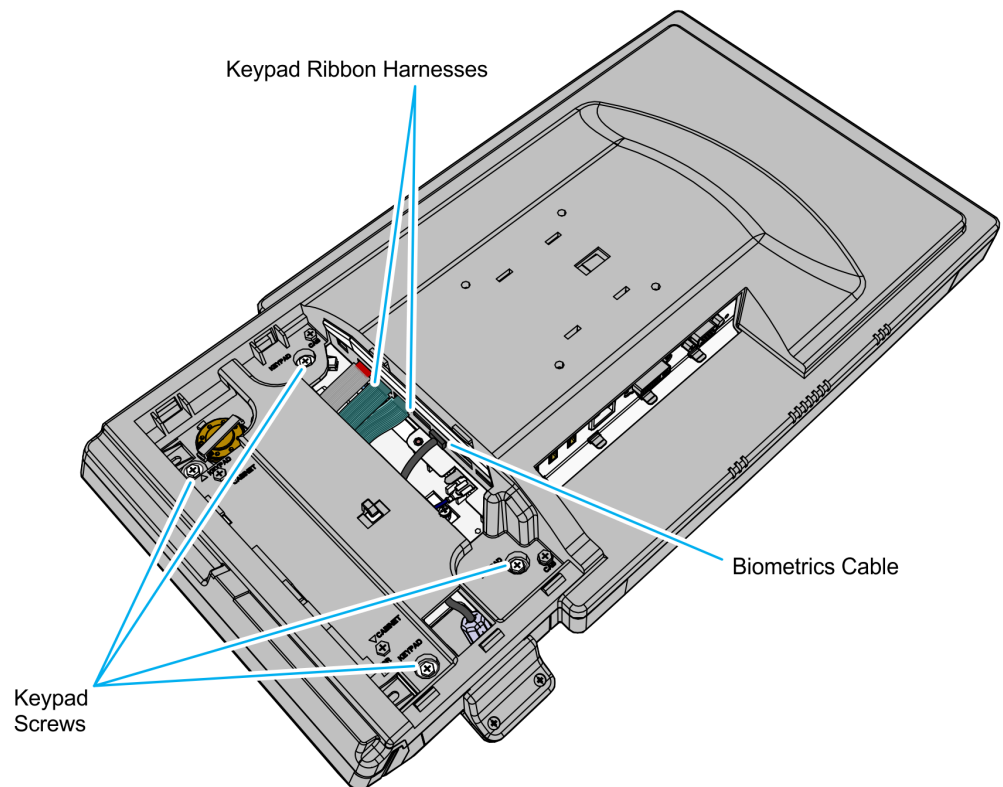
Installing a Biometrics Module

1. Position the Biometrics module on the Front Bezel.



CCP-74131

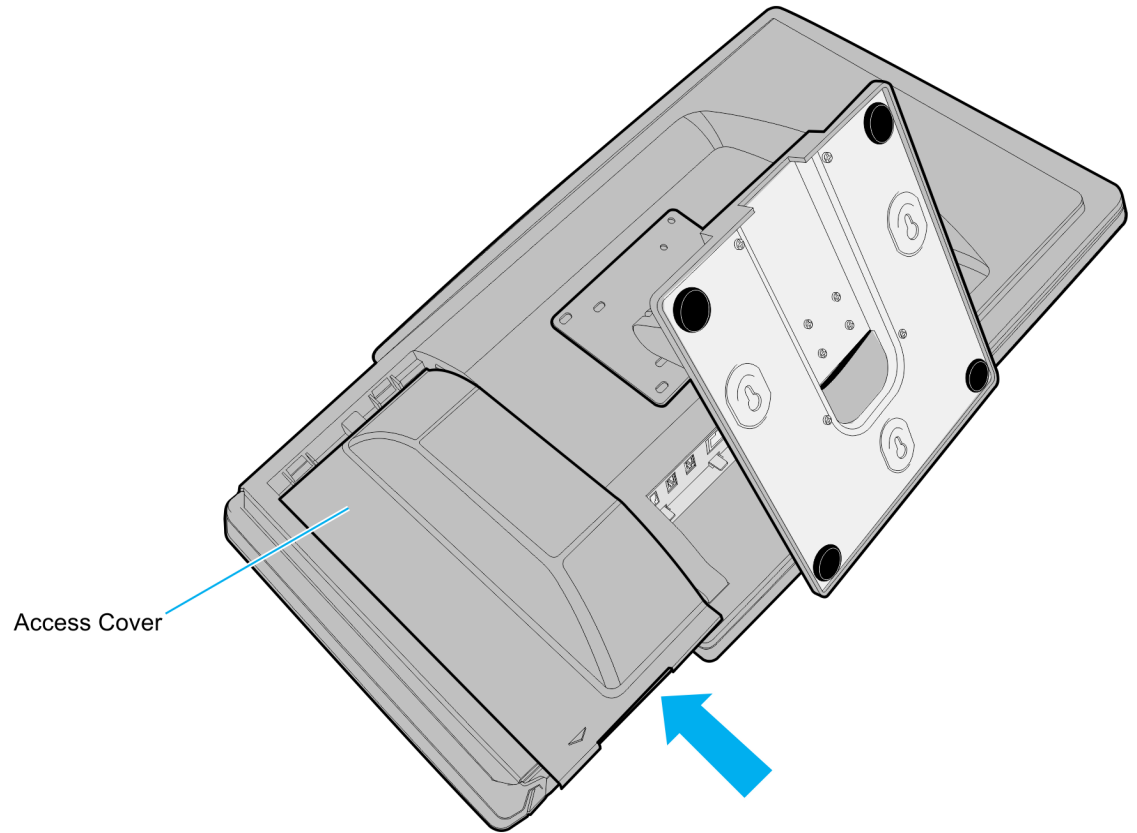
2. Secure the Biometrics module using the screws (4). For more details, refer to [Identifying the Screws](#) on page 3.
3. Connect the Keypad Ribbon Harness (2) and the Biometrics Cable.



CCP-74132

Installing the Access Cover

Slide the Access Cover into place.



CCP-74133